

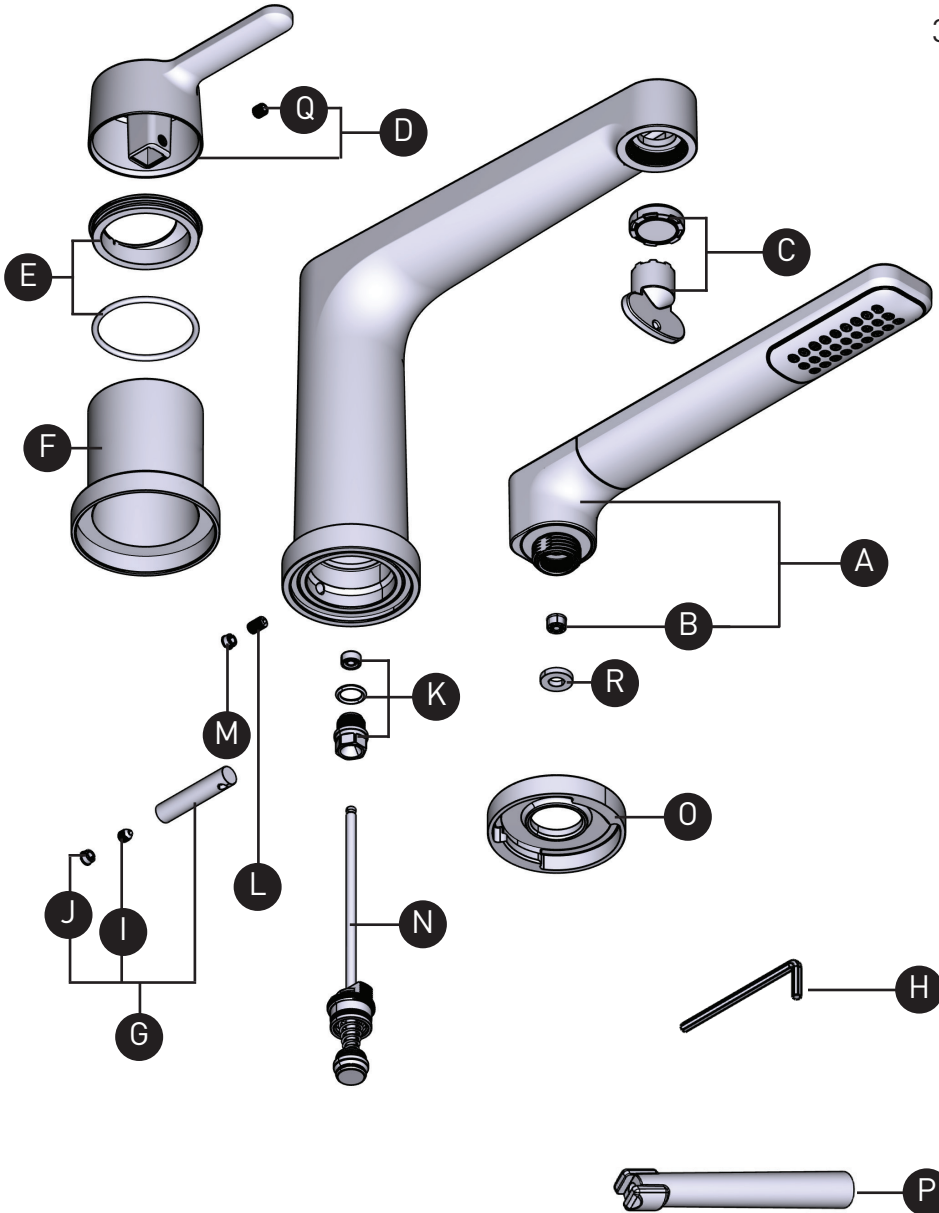
ORDER BY PART NUMBER

ILLUSTRATED PARTS

TNB10

NIBI

3-Piece deck-mount tub filler with hand shower trim



ID	Kit Number	Finish
*A	4-307	See below
B	6-524	N/A
C	S6-676	N/A
*D	214702	See below
*E	5-520	See below
*F	053-110	See below
*G	7-801	See below
H	505-025	N/A
I	157-055	N/A
*J	003-030	See below
K	7-301	N/A
L	152-100	N/A
*M	003-030	See below
N	0-605	N/A
*O	2-465	See below
P	500-002	N/A
Q	152-050	N/A
R	302-462	N/A

*Finish Determined by Suffix	
Finish	Description
C	Chrome
BN	Brushed Nickel(PVD)
BK	Black
BG	Brushed Gold(PVD)

For warranty or additional information, contact:

US Customers

U.S.A.
houseofrohl.com/support
1-800-777-9762

Canadian Customers

QUEBEC / MARITIMES / WESTERN CANADA
QUÉBEC / MARITIMOS / OUEST CANADIEN
QUEBEC / MARITIMOS / CANADA OCCIDENTAL
houseofrohl.ca/support
1-866-473-8442

ONTARIO
houseofrohl.ca/support
1-800-287-5354

ORDER BY PART NUMBER

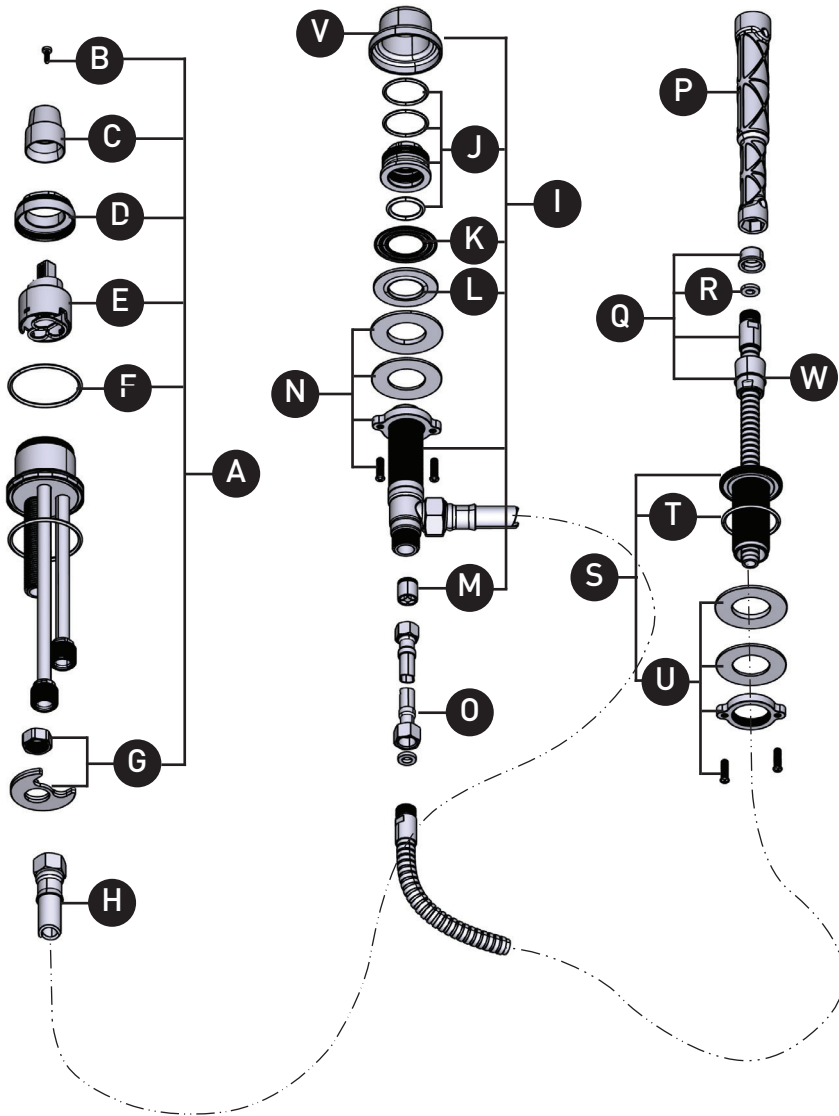
ILLUSTRATED PARTS

RHTB

3-piece deck-mount tub filler rough

MODEL

RHTB
RHTB-EX
RHTB -SPEX



ID	Kit Number	Finish
A	0-990	N/A
	0-990-EX	N/A
	0-990-SPEX	N/A
B	392-025	N/A
C	430-010	N/A
D	305-075	N/A
E	401-016	N/A
F	225-520(x2)	N/A
G	7-452	N/A
H	7-116	N/A
I	0-616	N/A
J	7-322	N/A
K	301-002	N/A
L	302-004	N/A
M	405-997	N/A
N	7-422	N/A
O	7-047	N/A
P	500-009	N/A
Q	7-050	N/A
R	302-462	N/A
S	7-445	N/A
T	225-400	N/A
U	7-420	N/A
V	430-997	N/A
W	7-450	N/A

For warranty or additional information, contact:

US Customers

U.S.A.
houseofrohl.com/support
1-800-777-9762

Canadian Customers

QUEBEC / MARITIMES / WESTERN CANADA
QUÉBEC / MARITIMES / OUEST CANADIEN
QUEBEC / MARITIMOS / CANADA OCCIDENTAL
houseofrohl.ca/support
1-866-473-8442

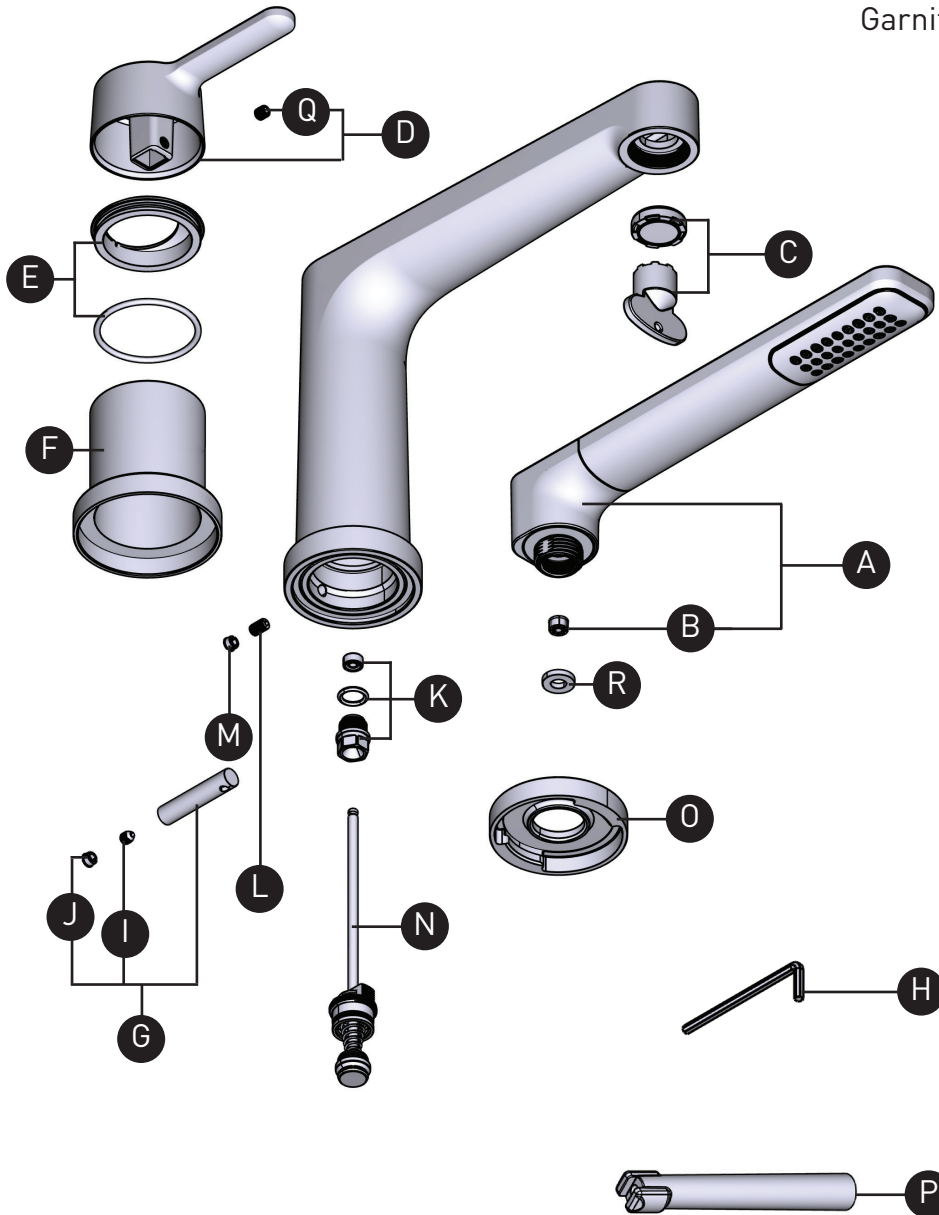
ONTARIO
houseofrohl.ca/support
1-800-287-5354

VEUILLEZ EFFECTUER VOTRE COMMANDE
PAR NO DE RÉFÉRENCE

ILLUSTRATIONS DES PIÈCES TNB10

NIBI

Garniture de robinet de bain 3 morceaux avec
douchette



ID	Kit Number	Finish
*A	4-307	Voir ci-dessous
B	6-524	N/A
C	S6-676	N/A
*D	214702	Voir ci-dessous
*E	5-520	Voir ci-dessous
*F	053-110	Voir ci-dessous
*G	7-801	Voir ci-dessous
H	505-025	N/A
I	157-055	N/A
*J	003-030	Voir ci-dessous
K	7-301	N/A
L	152-100	N/A
*M	003-030	Voir ci-dessous
N	0-605	N/A
*O	2-465	Voir ci-dessous
P	500-002	N/A
Q	152-050	N/A
R	302-462	N/A

*Finition déterminée par le Suffixe	
<u>Finition</u>	<u>Description</u>
C	Chrome
BN	Nickel brossé (PVS)
BK	Noir
BG	Or brossé (PVS)

For warranty or additional information, contact:

US Customers

U.S.A.
houseofrohl.com/support
1-800-777-9762

Canadian Customers

QUEBEC / MARITIMES / WESTERN CANADA
QUÉBEC / MARITIMES / OUEST CANADIEN
QUEBEC / MARITIMOS / CANADA OCCIDENTAL
houseofrohl.ca/support
1-866-473-8442

ONTARIO
houseofrohl.ca/support
1-800-287-5354

VEUILLEZ EFFECTUER VOTRE COMMANDE
PAR NO DE RÉFÉRENCE

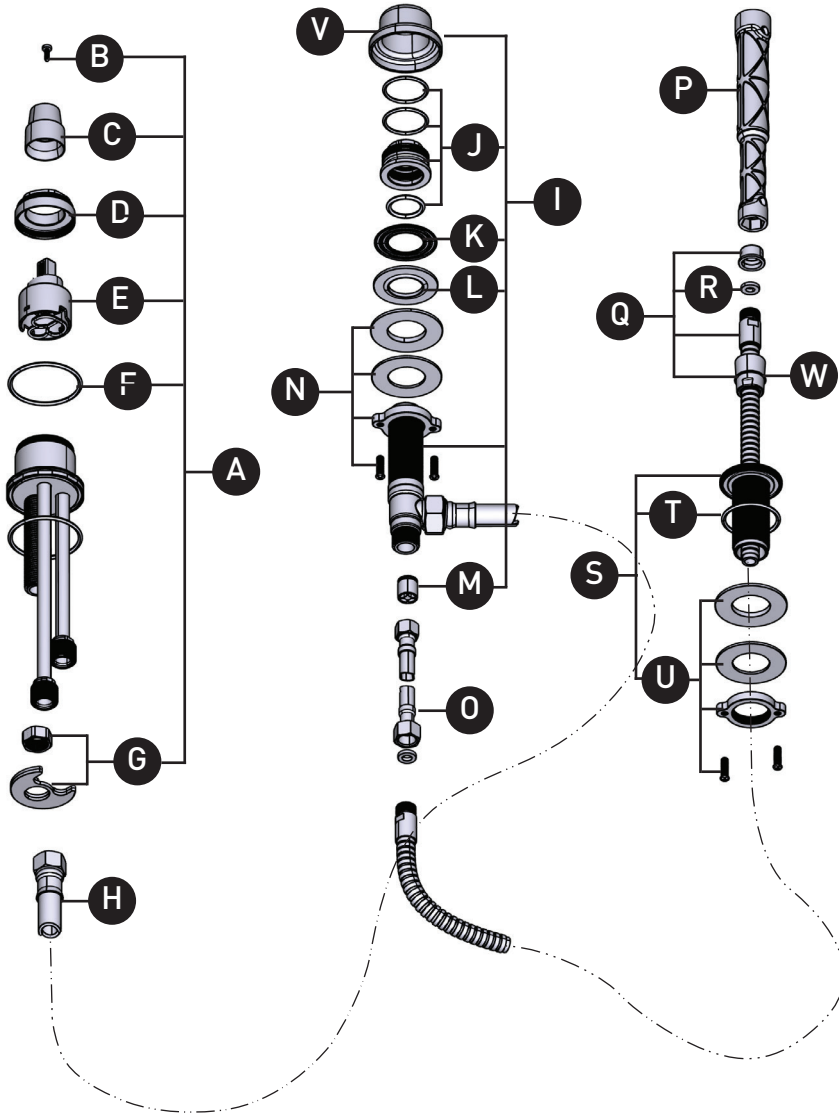
ILLUSTRATIONS DES PIÈCES

RHTB

Brut de bain 3 morceaux

MODÈLE

RHTB
RHTB-EX
RHTB-SPEX



N° d'id.	N° de trousse	Fini
A	0-990	N/A
	0-990-EX	N/A
	0-990-SPEX	N/A
B	392-025	N/A
C	430-010	N/A
D	305-075	N/A
E	401-016	N/A
F	225-520(x2)	N/A
G	7-452	N/A
H	7-116	N/A
I	0-616	N/A
J	7-322	N/A
K	301-002	N/A
L	302-004	N/A
M	405-997	N/A
N	7-422	N/A
O	7-047	N/A
P	500-009	N/A
Q	7-050	N/A
R	302-462	N/A
S	7-445	N/A
T	225-400	N/A
U	7-420	N/A
V	430-997	N/A
W	7-450	N/A

For warranty or additional information, contact:

US Customers

U.S.A.
houseofrohl.com/support
1-800-777-9762

Canadian Customers

QUEBEC / MARITIMES / WESTERN CANADA
QUÉBEC / MARITIMES / QUÉBEC / MARITIMOS / CANADA OCCIDENTAL
houseofrohl.ca/support
1-866-473-8442

ONTARIO
houseofrohl.ca/support
1-800-287-5354

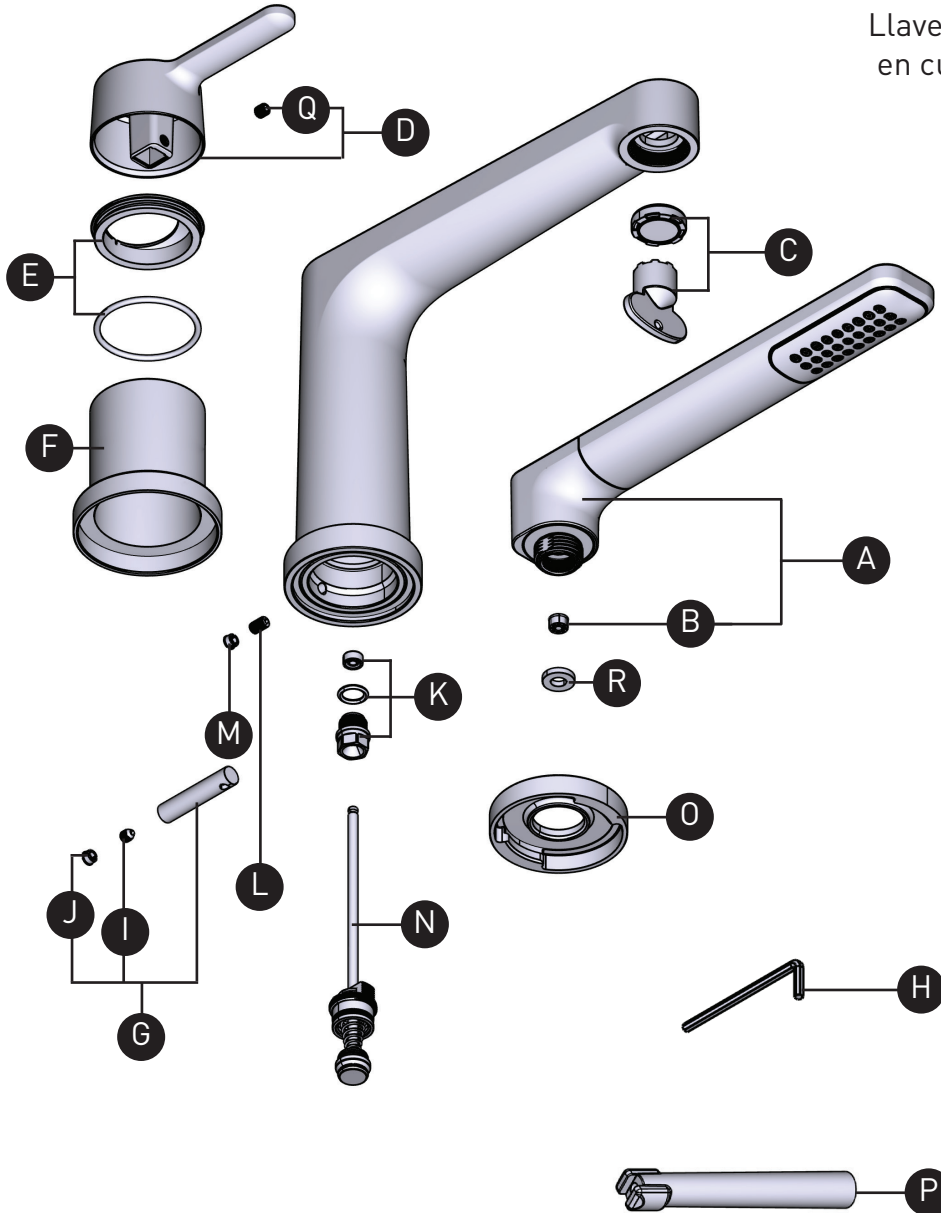
PEDIR POR NÚMERO DE REFERENCIA

PIEZAS ILUSTRADAS

TNB10

NIBI

Llave de tina de baño de 3 piezas para montaje en cubierta con moldura para ducha de mano



ID	Kit Number	Finish
*A	4-307	Ver más abajo
B	6-524	N/A
C	56-676	N/A
*D	214702	Ver más abajo
*E	5-520	Ver más abajo
*F	053-110	Ver más abajo
*G	7-801	Ver más abajo
H	505-025	N/A
I	157-055	N/A
*J	003-030	Ver más abajo
K	7-301	N/A
L	152-100	N/A
*M	003-030	Ver más abajo
N	0-605	N/A
*O	2-465	Ver más abajo
P	500-002	N/A
Q	152-050	N/A
R	302-462	N/A

*Acabado determinado por el sufijo	
<u>Acabado</u>	<u>Descripción</u>
C	Cromo
BN	Nickel brossé(PVD)
BK	Negro
BG	Oro cepillado (PVD)

For warranty or additional information, contact:

US Customers

U.S.A.
houseofrohl.com/support
1-800-777-9762

Canadian Customers

QUEBEC / MARITIMES / WESTERN CANADA
QUÉBEC / MARITIMES / QUÉST CANADIEN
QUEBEC / MARITIMOS / CANADA OCCIDENTAL
houseofrohl.ca/support
1-866-473-8442

ONTARIO
houseofrohl.ca/support
1-800-287-5354

PEDIR POR NÚMERO DE REFERENCIA

PIEZAS ILUSTRADAS

RHTB

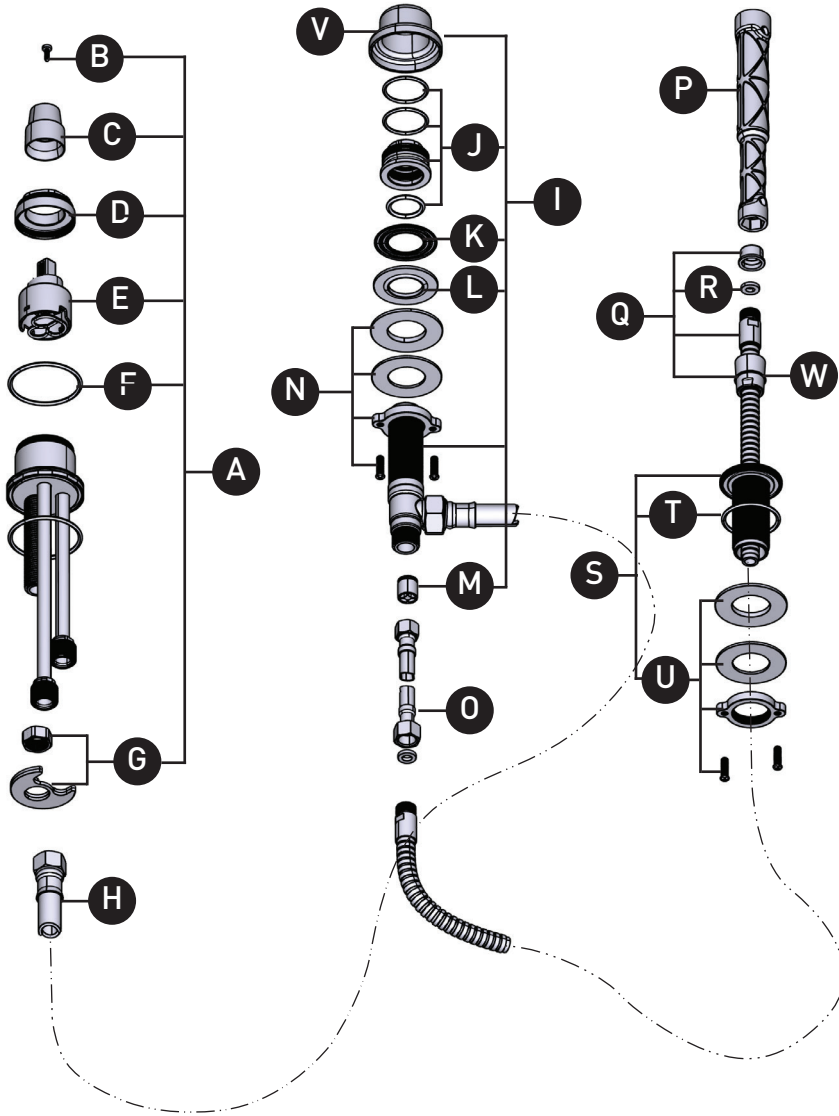
Llenadora de bañera de 3 piezas para montaje en cubierta rugosa

MODELO

RHTB

RHTB-EX

RHTB-SPEX



Nº de ident.	Nº de kit	Acabado
A	0-990	N/A
	0-990-EX	N/A
	0-990-SPEX	N/A
B	392-025	N/A
C	430-010	N/A
D	305-075	N/A
E	401-016	N/A
F	225-520(x2)	N/A
G	7-452	N/A
H	7-116	N/A
I	0-616	N/A
J	7-322	N/A
K	301-002	N/A
L	302-004	N/A
M	405-997	N/A
N	7-422	N/A
O	7-047	N/A
P	500-009	N/A
Q	7-050	N/A
R	302-462	N/A
S	7-445	N/A
T	225-400	N/A
U	7-420	N/A
V	430-997	N/A
W	7-450	N/A

For warranty or additional information, contact:

US Customers

U.S.A.
houseofrohl.com/support
1-800-777-9762

Canadian Customers

QUEBEC / MARITIMES / WESTERN CANADA
QUÉBEC / MARITIMES / QUÉBEC CANADIEN
QUEBEC / MARITIMOS / CANADA OCCIDENTAL
houseofrohl.ca/support
1-866-473-8442

ONTARIO
houseofrohl.ca/support
1-800-287-5354