

homestyles

6803-20

Bistro Set

IMPORTANT

Carefully remove all the parts from the carton and place them individually on a soft cloth to prevent scratches or other damage.

Carefully and strictly follow these assembly instructions to ensure a completed product as designed.

Do not use power tools above 8 volts to assemble.

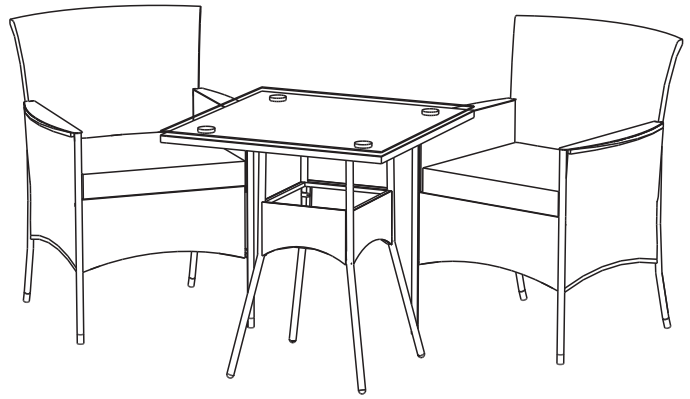
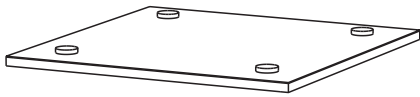


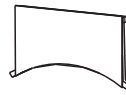
Table Part List



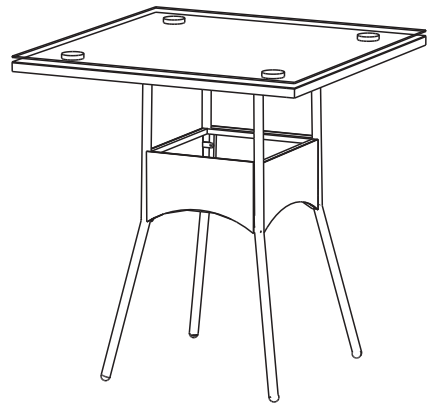
A.
Top
1 pc.



B.
Side
2 pcs.

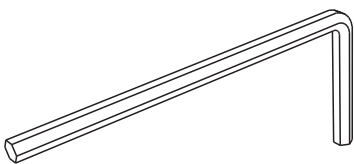


C.
Panel
2 pcs.

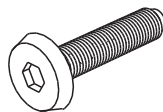


D.
Glass Top
1 pc.

Table Hardware List



Hex Wrench
1 pc.



M6x15
Head Cap Bolt (short)
12 pcs. (+1 extra)



Flat Washer
12 pcs. (+1 extra)

Assembly Instructions 2/6

IMPORTANT

- Use a soft cloth between these parts and the floor.
- Do not use power tools above 8 volts to assemble.
- Do not tighten all the bolts until each part is properly assembled.
- Keep Hex Wrench as the bolts may need to be tightened in the future.

STEP 1

Attach Panels (C) to Side (B) with Head Cap Bolts (short) and Flat Washers, tightening bolts only halfway. (See Figure 1)

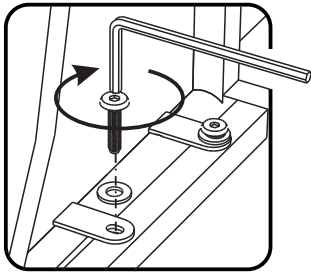
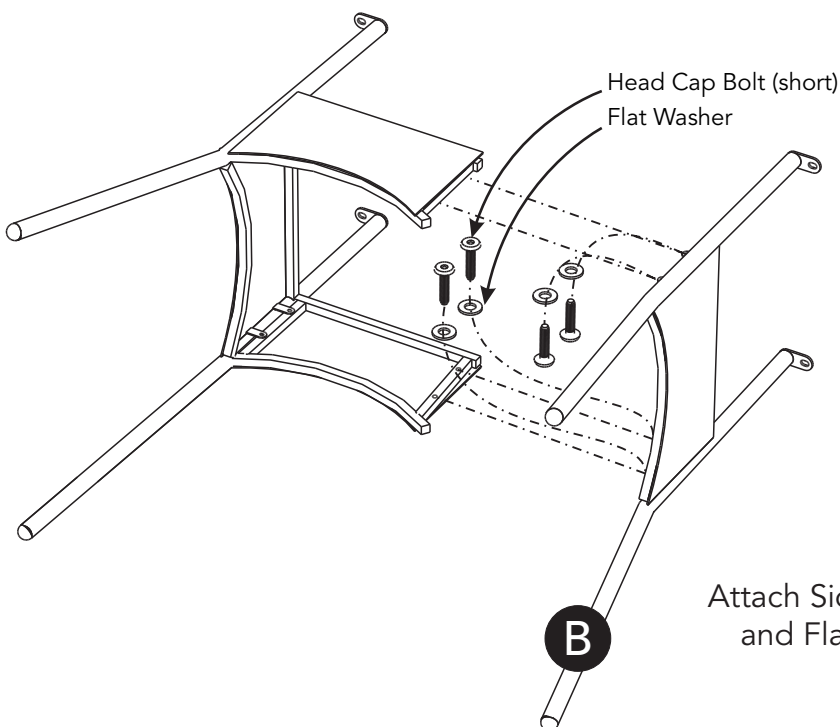
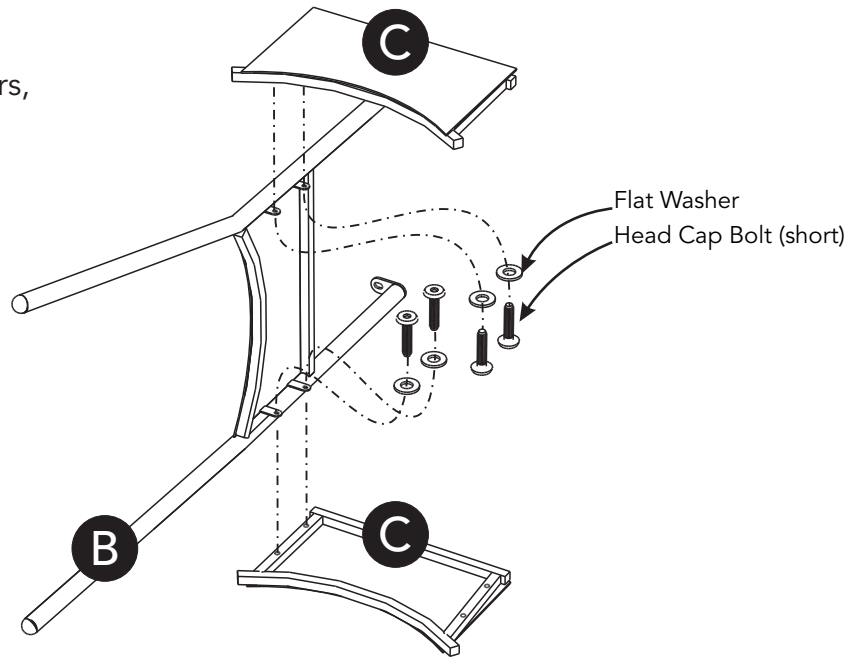


Figure 1



STEP 2

Attach Side (B) to unit with Head Cap Bolts (short) and Flat Washers, tightening bolts only halfway.

Assembly Instructions 3/6

STEP 3

Place Top (A) upside down on a soft cloth.

Attach unit to Top (A) with Head Cap Bolts (short) and Flat Washers, tightening bolts only halfway. (See Figure 2)

Tighten all bolts used in Steps 1, 2 and 3.

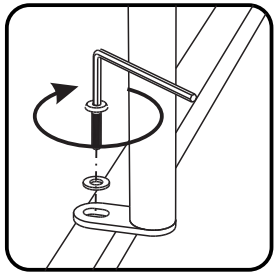
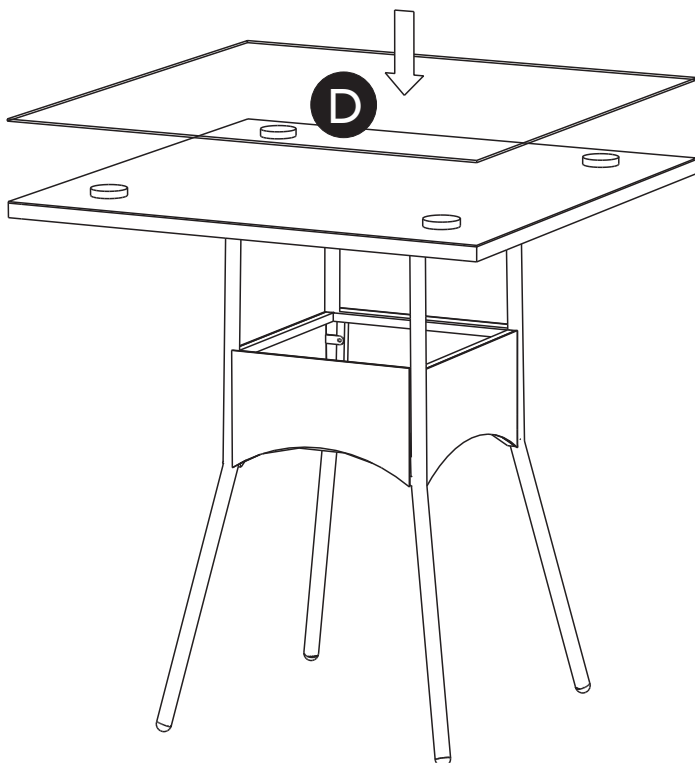
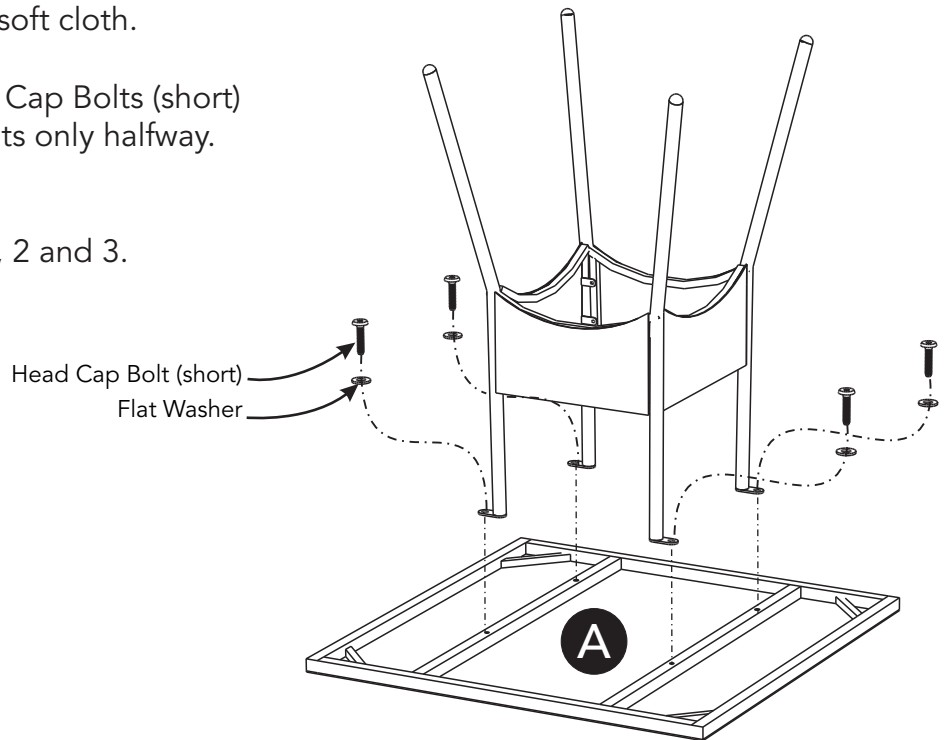


Figure 2



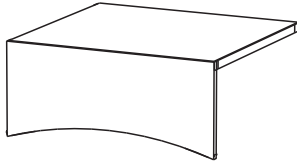
STEP 4

Turn unit over to its upright position.

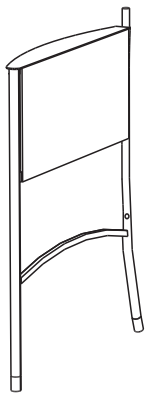
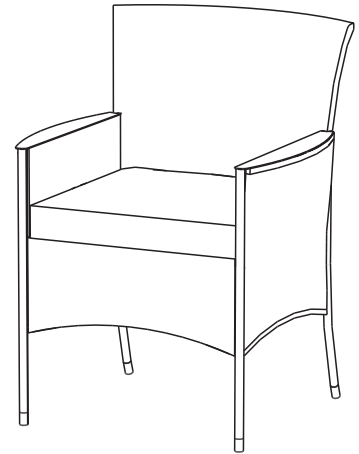
Place Glass Top (D) onto unit.

Assembly Instructions 4/6

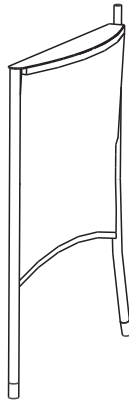
Chair Part List



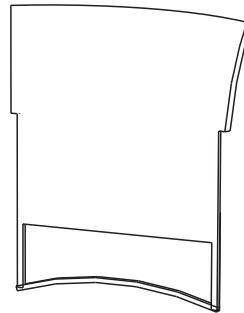
E.
Seat
1 pc.



F.
Side
1 pc.



G.
Side
1 pc.

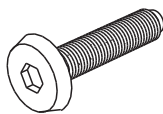


H.
Back
1 pc.

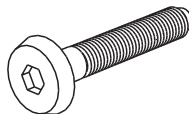


I.
Cushion
1 pc.

Chair Hardware List



M6x30
Head Cap Bolt
4 pcs. (+1 extra)



M6x40
Head Cap Bolt (long)
5 pcs. (+1 extra)



Flat Washer
9 pcs. (+1 extra)

Assembly Instructions 5/6

STEP 5

Attach Sides (F) and (G) to Back (H) with Head Cap Bolts and Flat Washers, tightening bolts only halfway. (See Figure 3)

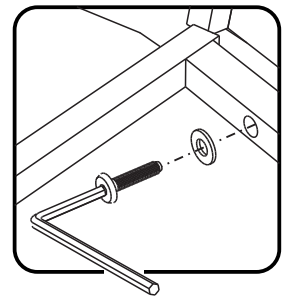
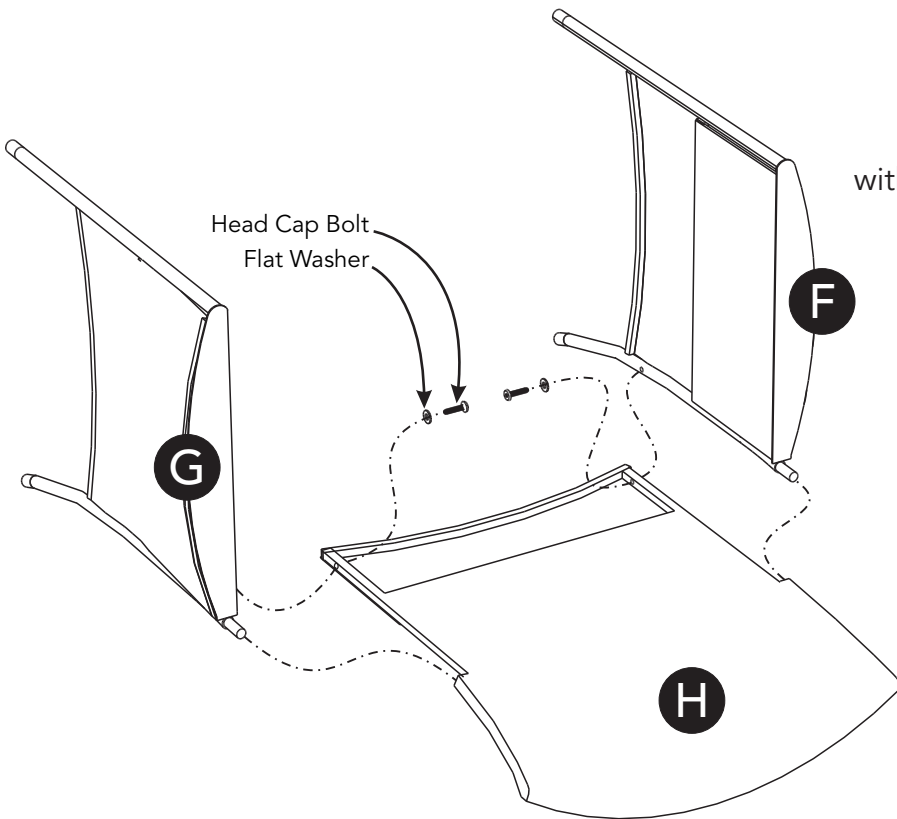


Figure 3

STEP 6

Attach Seat (E) to unit with Head Cap Bolts (long) and Flat Washers, tightening bolts only halfway. (See Figure 4)

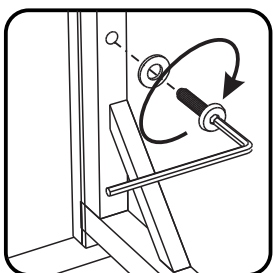
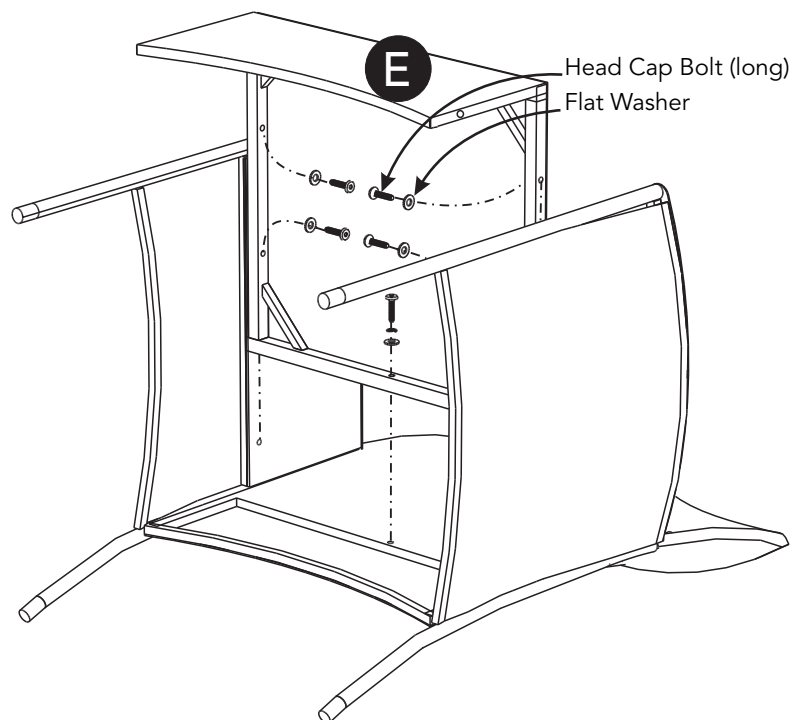
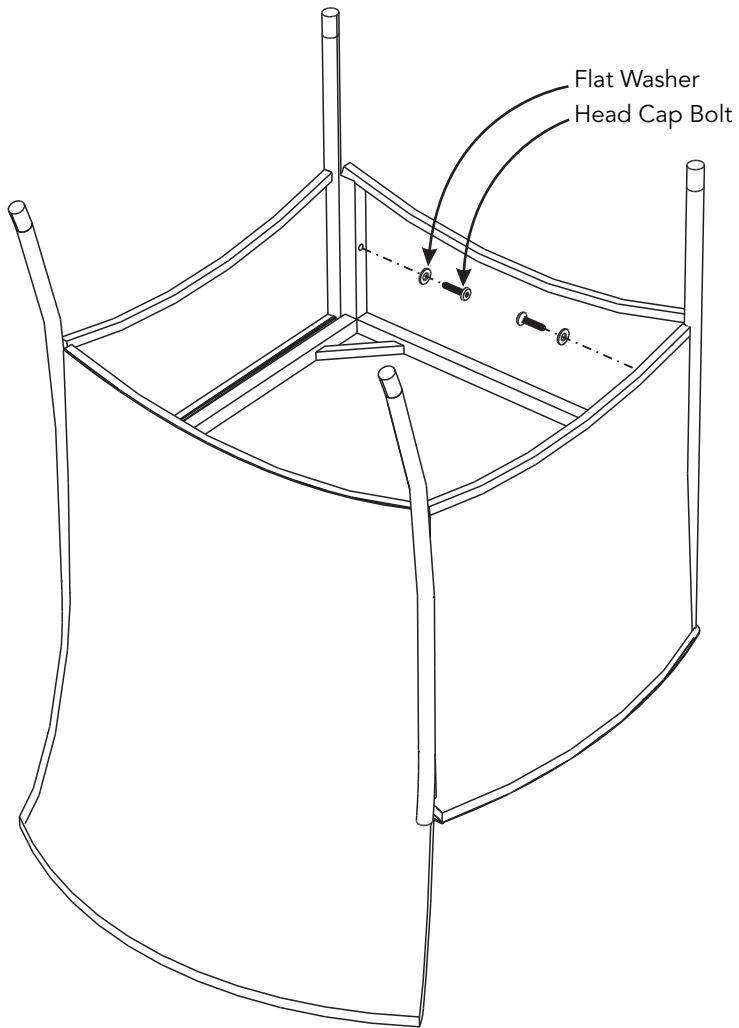


Figure 4

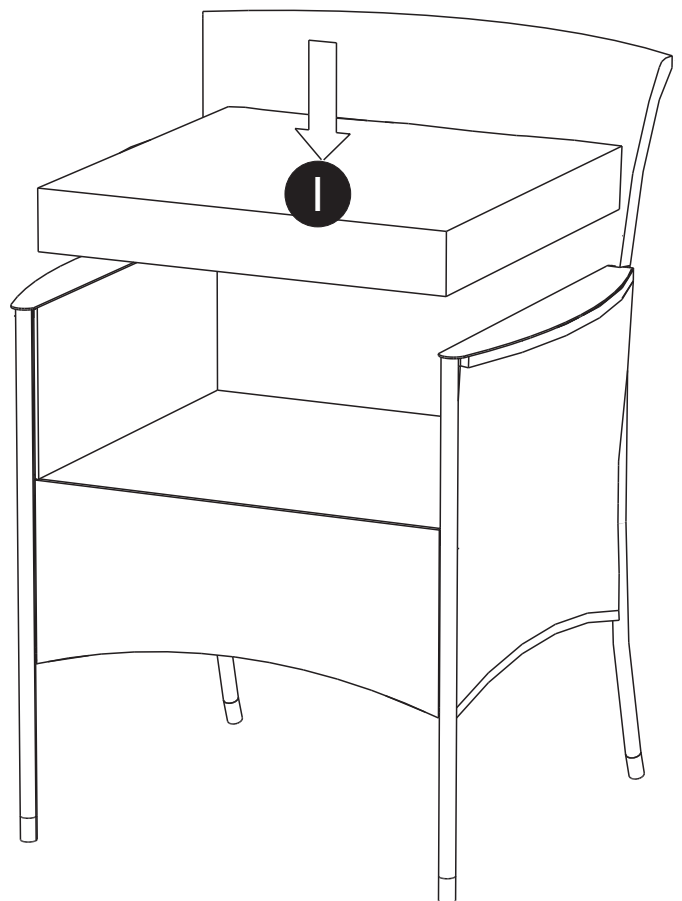
Assembly Instructions 6/6



STEP 7

Insert Head Cap Bolts and Flat Washers into unit, tightening bolts only halfway.

Tighten all bolts used in Steps 5, 6 and 7.



STEP 8

Turn unit to its upright position.

Place Cushion (1) into position.

CARE INSTRUCTIONS

NEVER

allow liquids to remain on furniture.
Absorption causes parts to warp
and split and finishes to delaminate.

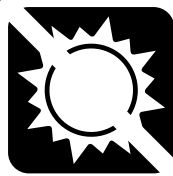
NEVER

use glass cleaners on
finished furniture. Ammonia
chemically attacks the finish.



Do not use power tools
above 8 volts to assemble.

**PREVENT
CRACKING**



Do not place
in direct sunlight.

**PREVENT
FADING**



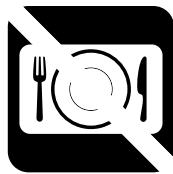
Do not write
directly on surface.

**PREVENT
MARKING**



Do not place hot
objects on surface.

**PREVENT
FINISH DAMAGE**



Do not use rubber
based placemats.

**PREVENT
DISCOLORING**

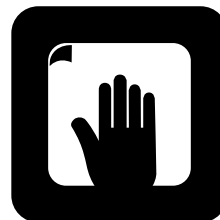


Do not use commercial
waxes and polishes.

**PREVENT
YELLOWING**

CLEAN

with a soft cloth moistened
in lukewarm soap and water.
Buff with a dry clean cloth.



homestyles will provide replacements free of charge for missing or damaged parts within 1 year of purchase. Digital images of the defective parts may be required. If the product was not purchased from an authorized retailer, **homestyles** is under no obligation to provide replacement parts. Parts are not available for fully assembled items nor are parts available for sale. Replacements for missing or damaged parts may be requested via contact info below.

homestyles Customer Service: www.homestylesfurniture.com,
servicedesk@homestylesfurniture.com, 888-680-7460