

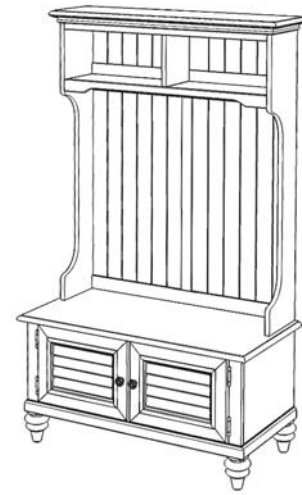
Hall Tree

IMPORTANT

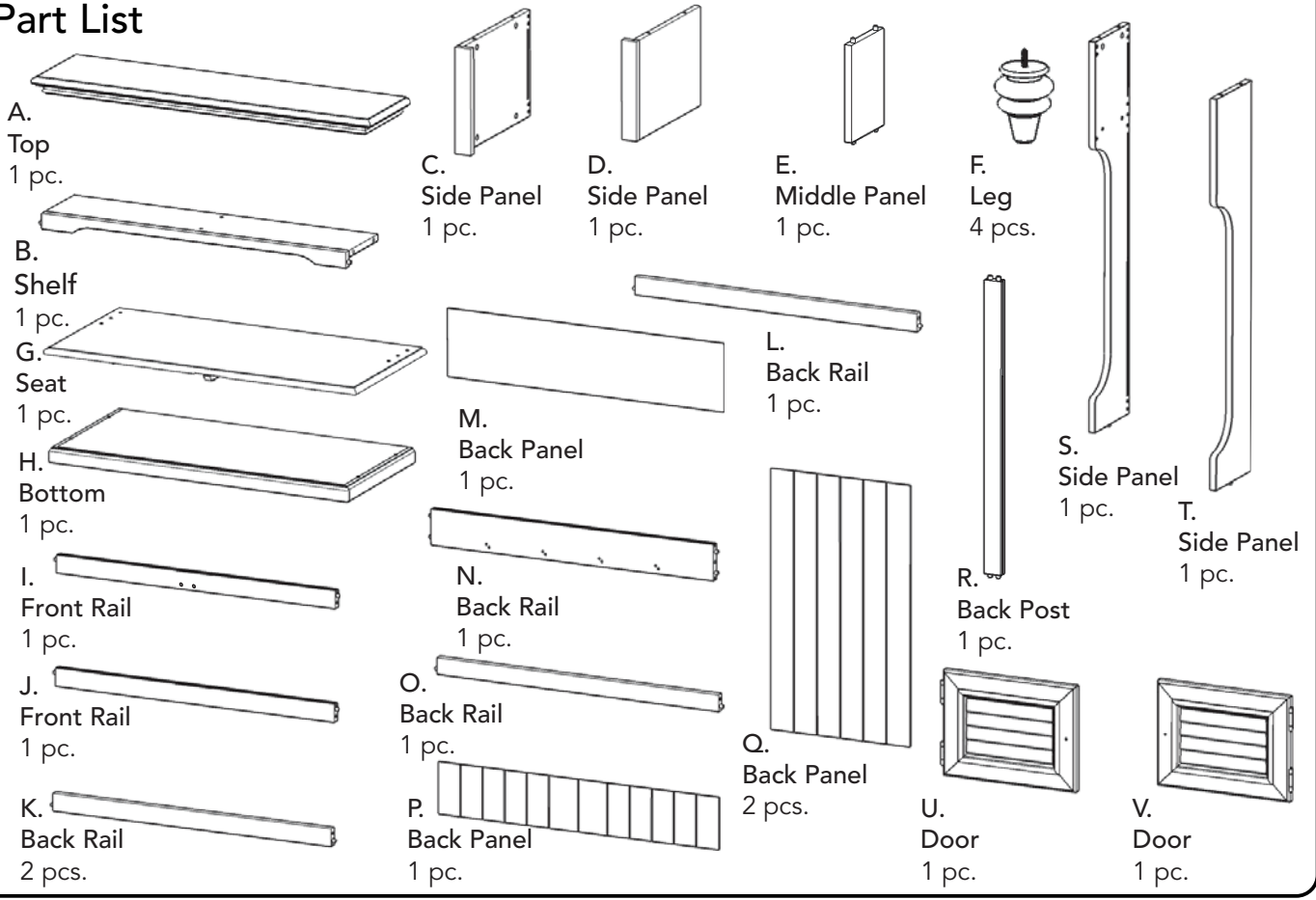
Carefully remove all the parts from the carton and place them individually on a soft cloth to prevent scratches or other damage.

Carefully and strictly follow these assembly instructions to ensure a completed product as designed.

Do not use power tools above 8 volts to assemble.



Part List



Hardware List

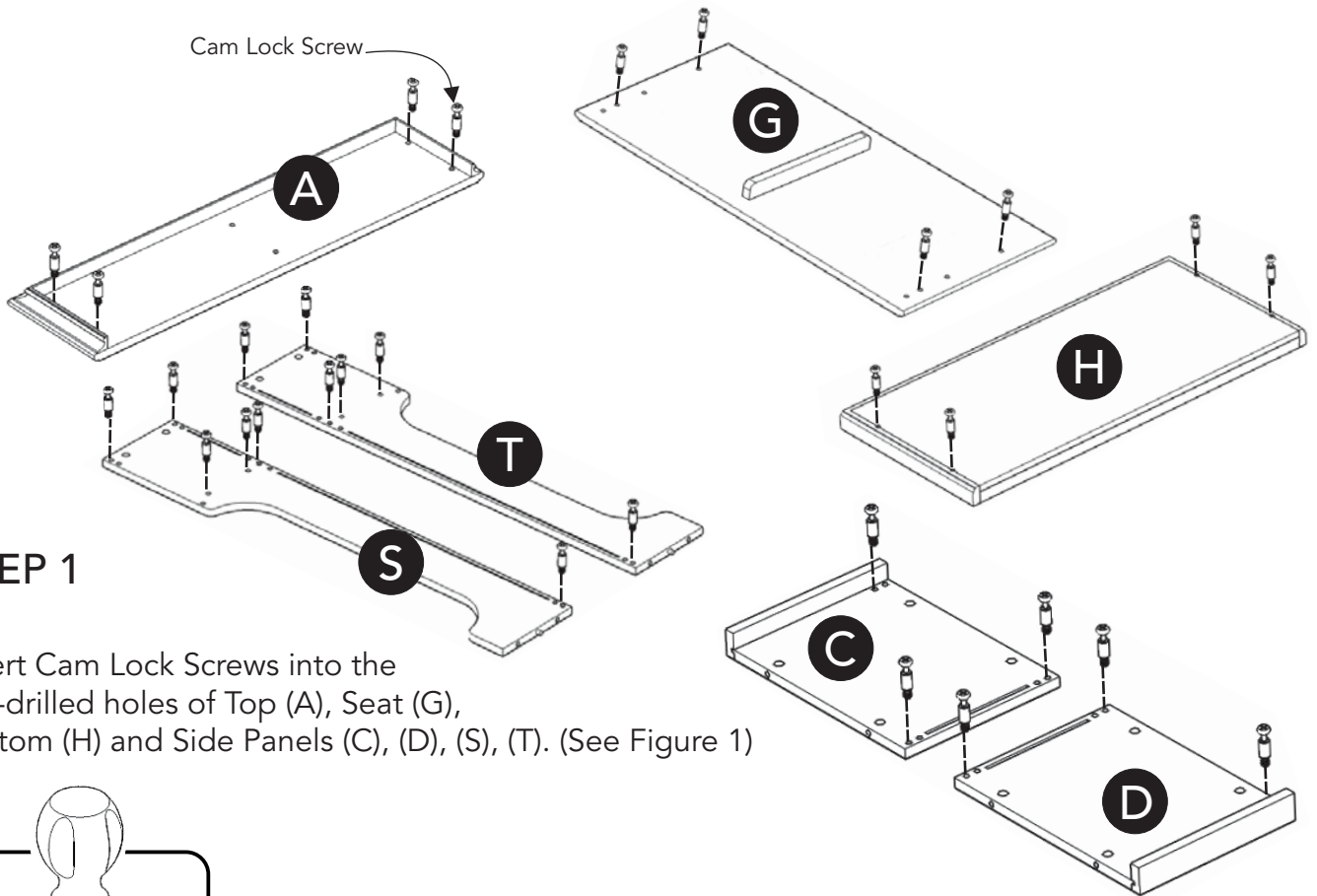


Tool(s) required for assembly: Phillips screwdriver, Level, Drill (8 volts or less), 3/8" Drill Bit

# Assembly Instructions 2/7

## IMPORTANT

Use a soft cloth between these parts and the floor.  
Do not use power tools above 8 volts to assemble.  
Do not tighten all the bolts until each part is properly assembled.  
The unit must be level to work properly. Use the included adjustable levelers to level.



## STEP 1

Insert Cam Lock Screws into the pre-drilled holes of Top (A), Seat (G), Bottom (H) and Side Panels (C), (D), (S), (T). (See Figure 1)

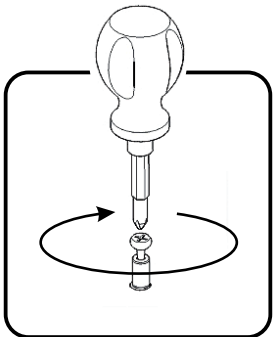


Figure 1

## STEP 2

Attach Legs (F) to Bottom (H).  
(See Figure 2)

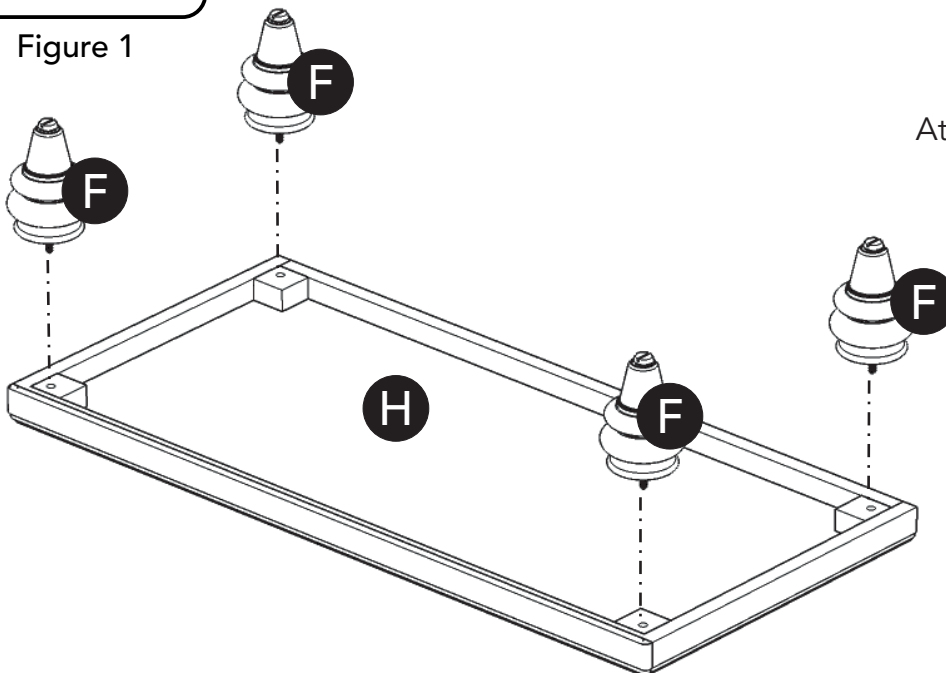
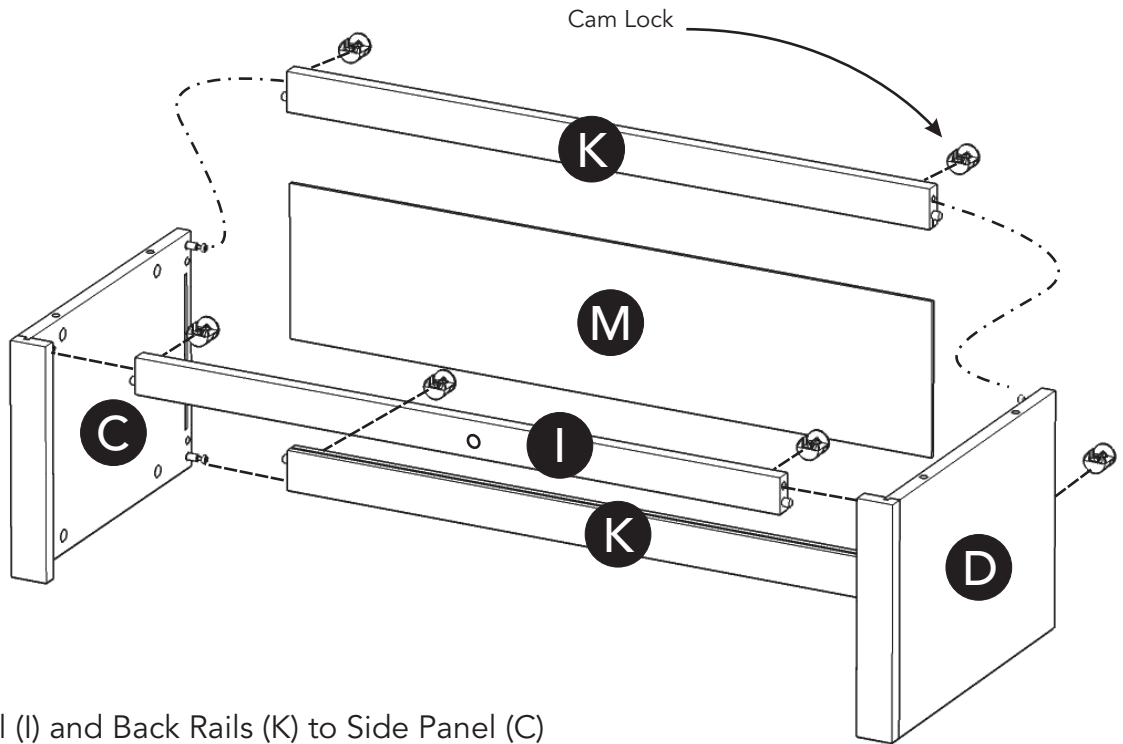


Figure 2

## Assembly Instructions 3/7



### STEP 3

Attach Front Rail (I) and Back Rails (K) to Side Panel (C) with Cam Locks. (See Figure 3)

Slide Back Panel (M) into place.

Attach Side Panel (D) to unit with Cam Locks.

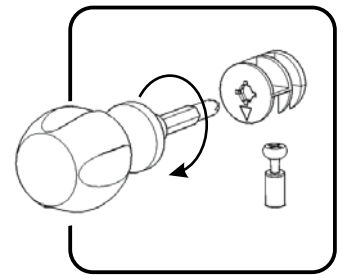
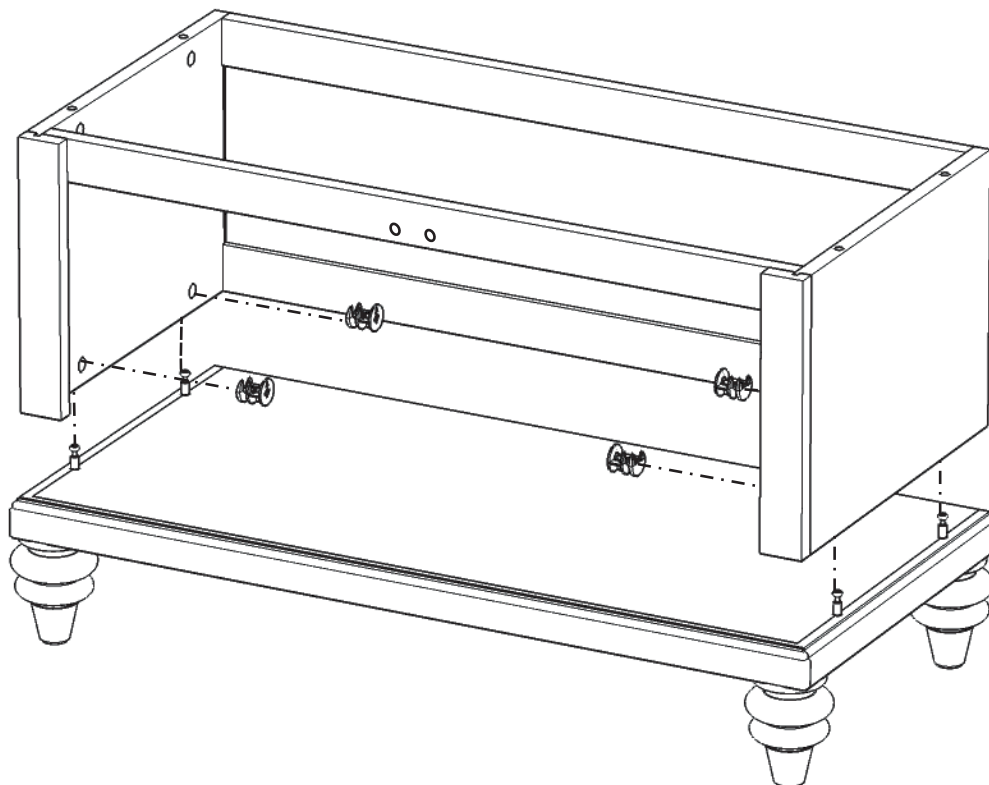


Figure 3

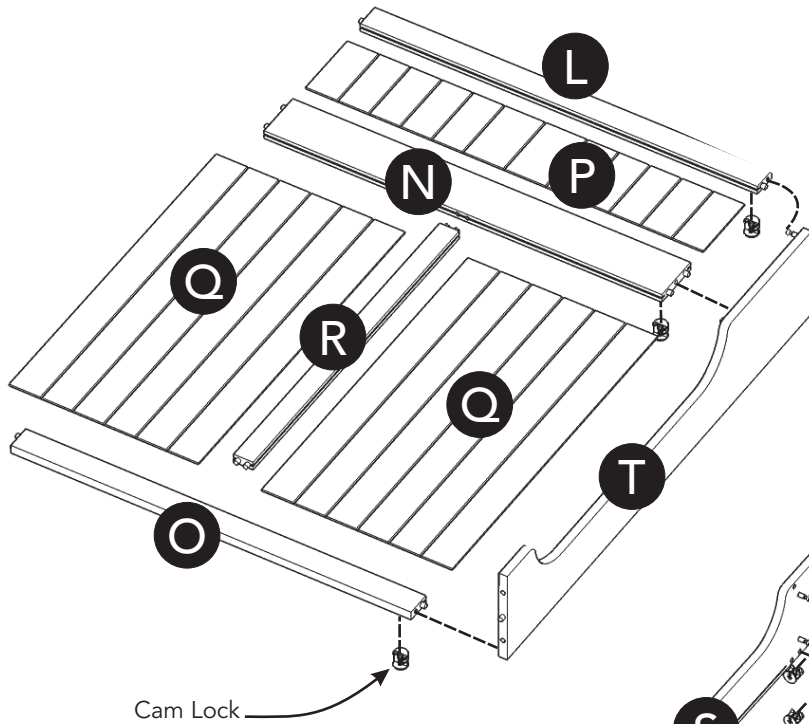


### STEP 4

Attach unit to bottom unit from Step 2 with Cam Locks.

# Assembly Instructions 4/7

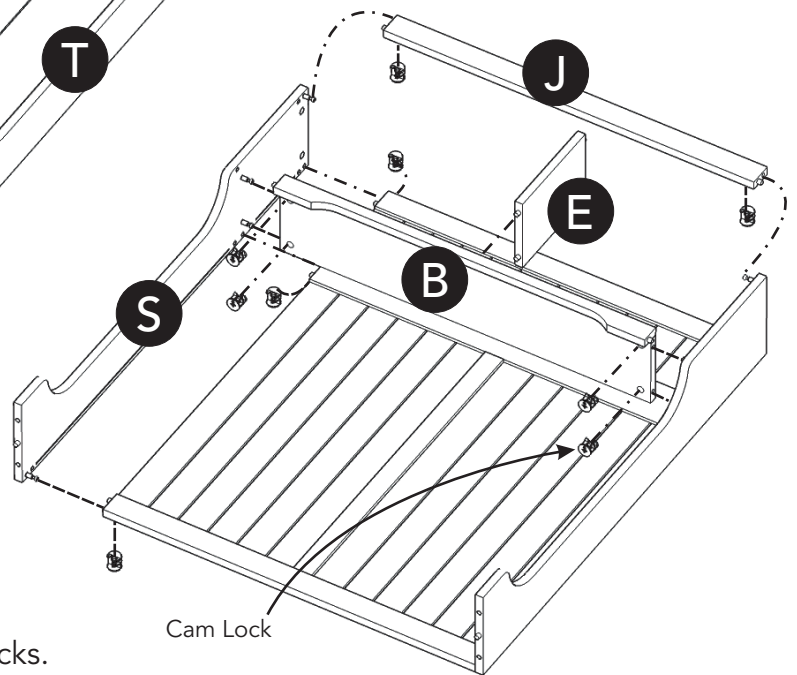
## STEP 5



Attach Back Rails (L), (N) to Side Panel (T) with Cam Locks and slide Back Panel (P) into place.

Slide Back Panels (Q) and Back Post (R) into Back Rail (N).

Attach Back Rail (O) to the unit with Cam Lock.



## STEP 6

Attach Shelf (B) and Front Rail (J) to unit with Cam Locks.

Slide Middle Panel (E) into place.

Attach Side Panel (S) to unit with Cam Locks.

## STEP 7

Attach Top (A) to unit with Cam Locks.

Attach Seat (G) to unit with Wood Screws for Side Panel. (See Figure 4)

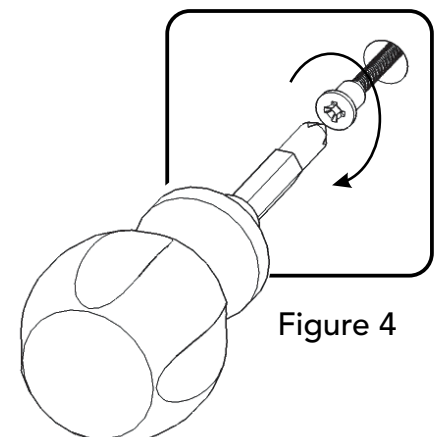
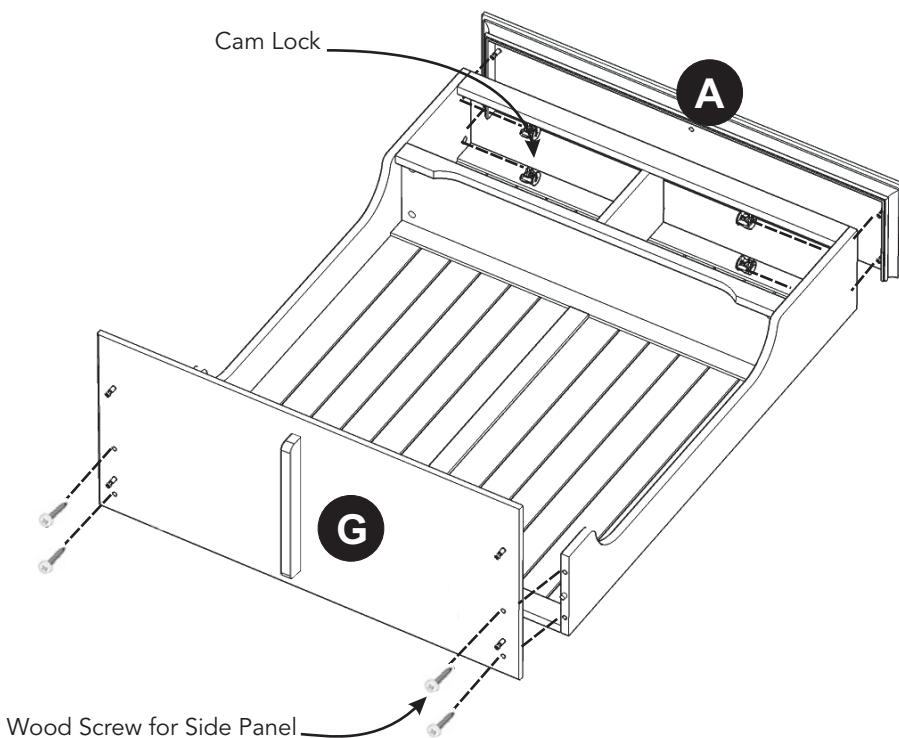
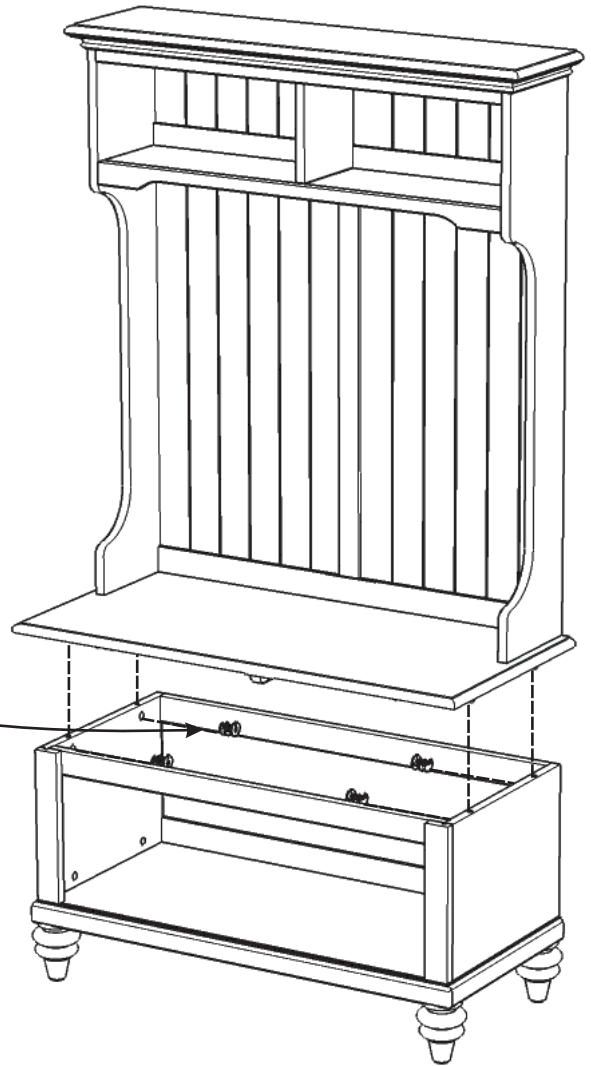


Figure 4

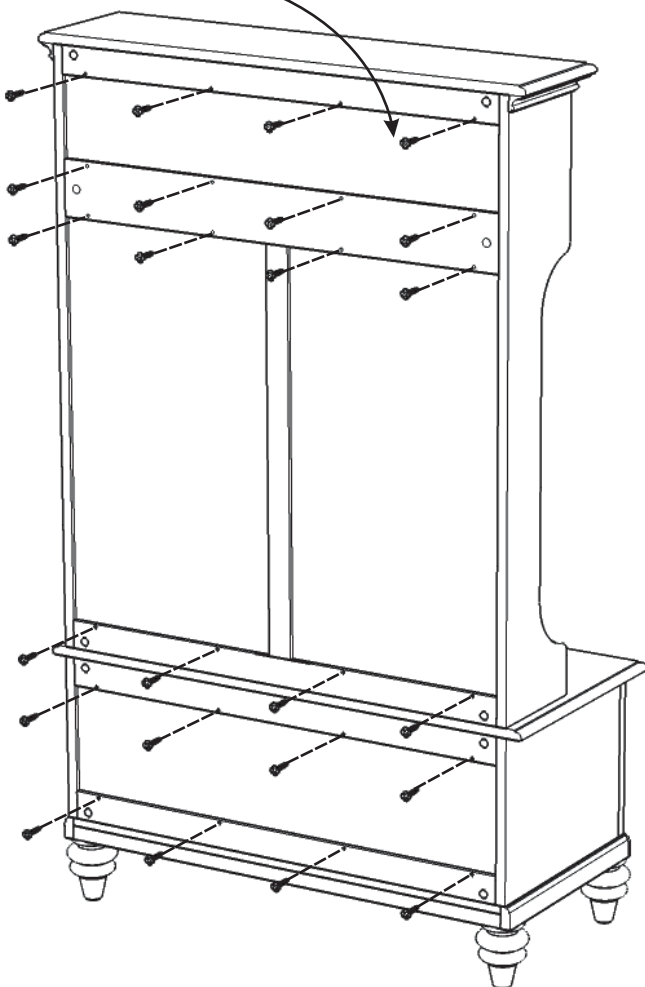
# Assembly Instructions 5/7

## STEP 8

Attach the top unit to the base unit with Cam Locks.



Wood Screw for Back Panel



## STEP 9

To level the unit, adjust the adjustable levelers on the bottom of legs. (See Figure 5)

Insert 24X Wood Screws from the back of the unit and tighten.

Note: Unit must be level before tightening these screws.

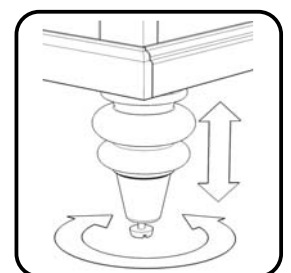


Figure 5

## Assembly Instructions 6/7

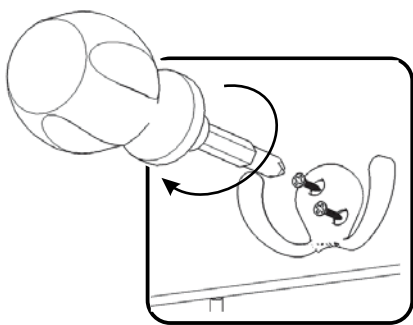
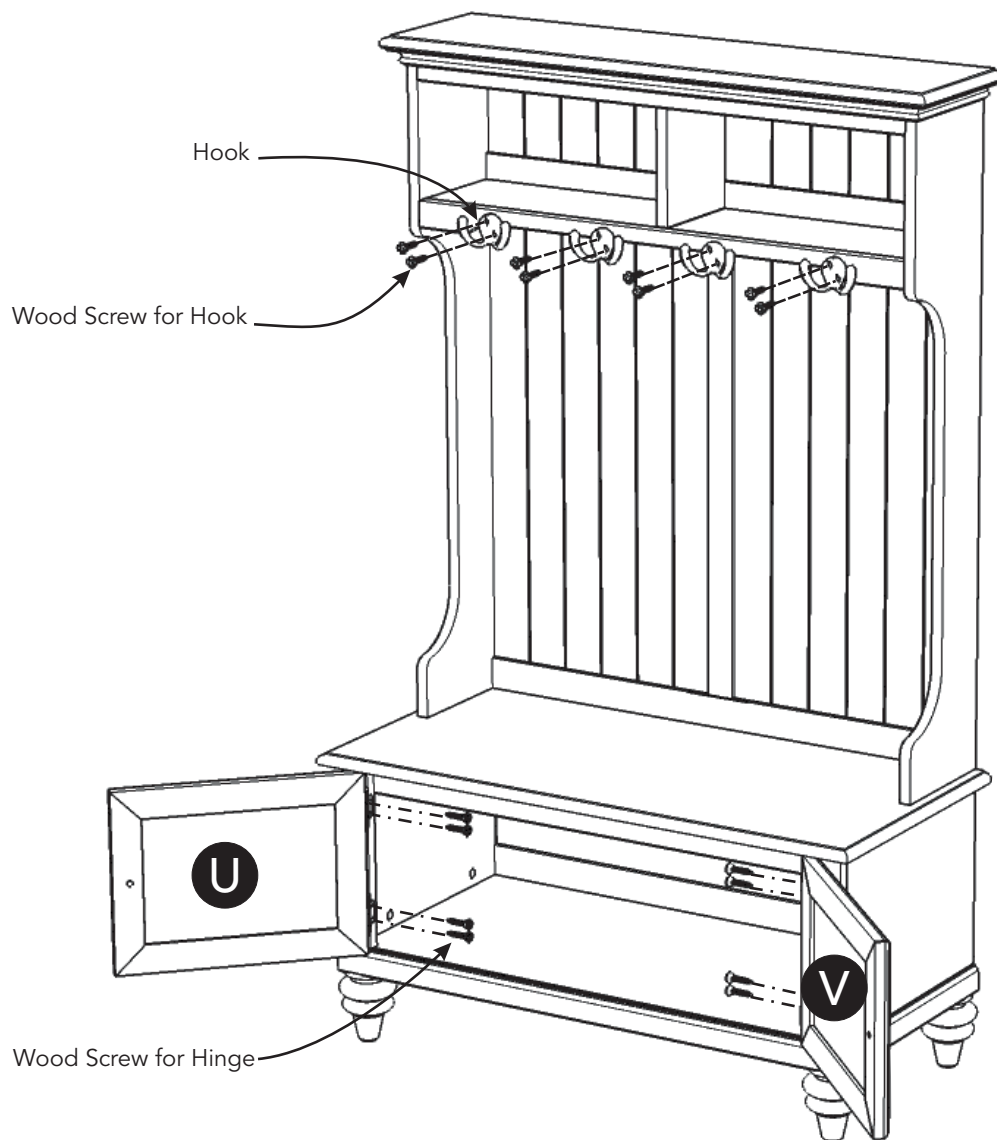


Figure 6

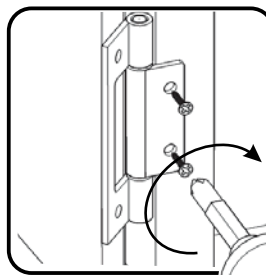


Figure 7

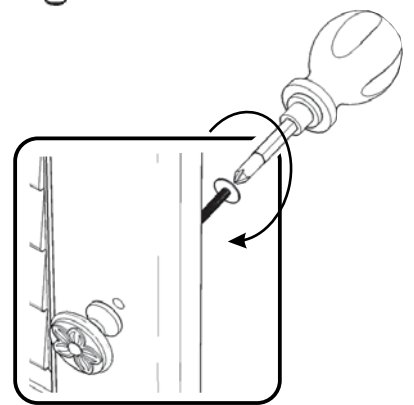


Figure 8

### STEP 10

Attach Hooks to the unit with Wood Screw for Hooks. (See Figure 6)

Attach Doors (U) and (V) to base unit with Wood Screws for Hinges. (See Figure 7)

Attach Pull Handles to Doors (U) and (V) with Machine Screws. (See Figure 8)

# Assembly Instructions 7/7

## IMPORTANT

- To help reduce the risk of the unit tipping over, the Tip-over Restraint must be installed following these instructions exactly.

## STEP 11

Place unit at desired location.

Drill a 3/8" hole in wall in-line with the pre-drilled hole at top of unit.

Move unit.

Insert Anchor into the wall hole and attach Bracket with Wall Screw.

Attach Bracket at pre-drilled hole at top of unit with Wood Screw.

Move unit back into place.

Slide Tip-over Restraint through Bracket on wall and Bracket on unit.  
(See Figure 9)

Put tie end of Tip-over Restraint into lock end of Tip-over Restraint and pull until tight.

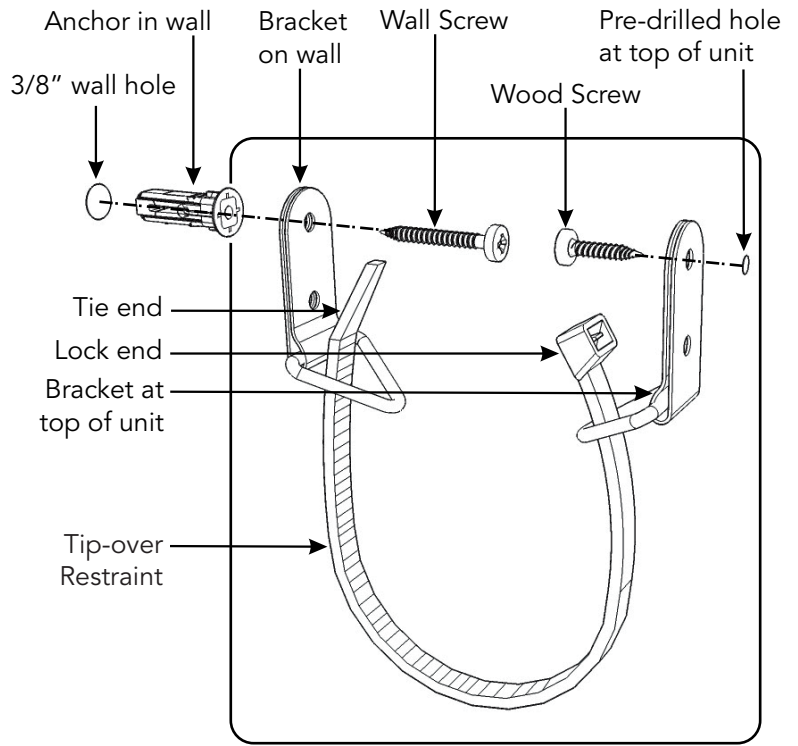
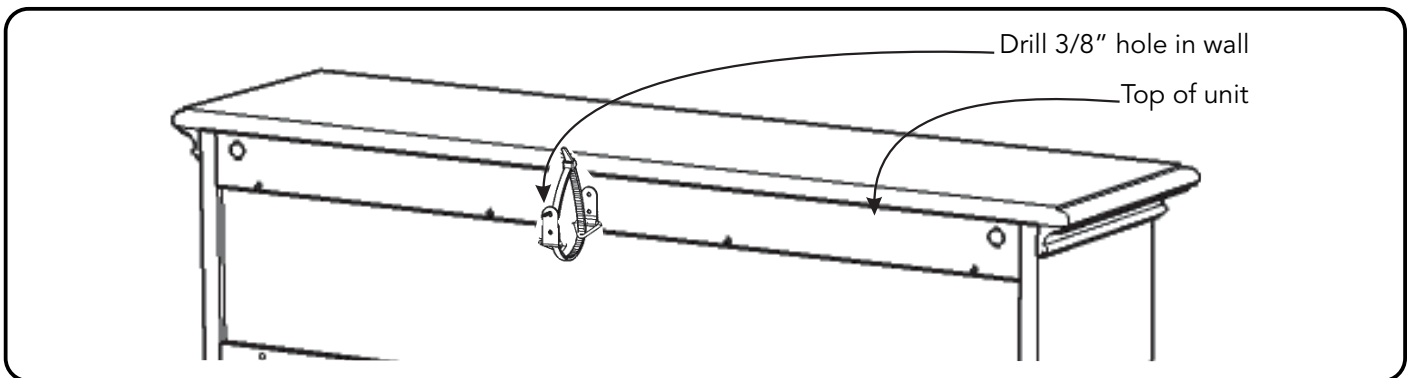
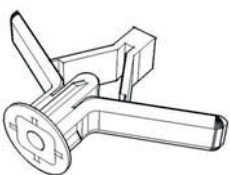


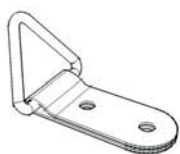
Figure 9



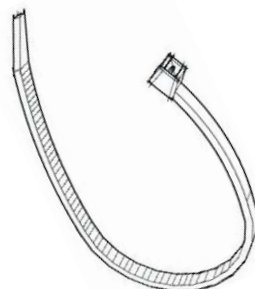
## Hardware List



Anchor  
1 pc. (+1 extra)



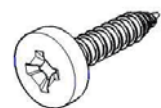
Bracket  
2 pcs. (+1 extra)



Tip-over Restraint  
1 pc. (+1 extra)



M3.5x40  
Wall Screw  
1 pc. (+1 extra)



M3.5x16  
Wood Screw  
1 pc. (+1 extra)

# CARE INSTRUCTIONS

## NEVER

allow liquids to remain on furniture.  
Absorption causes parts to warp  
and split and finishes to delaminate.

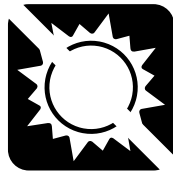
## NEVER

use glass cleaners on  
finished furniture. Ammonia  
chemically attacks the finish.



Do not use power tools  
above 8 volts to assemble.

**PREVENT  
CRACKING**



Do not place  
in direct sunlight.

**PREVENT  
FADING**



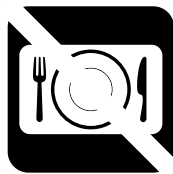
Do not write  
directly on surface.

**PREVENT  
MARKING**



Do not place hot  
objects on surface.

**PREVENT  
FINISH DAMAGE**



Do not use rubber  
based placemats.

**PREVENT  
DISCOLORING**



Do not use commercial  
waxes and polishes.

**PREVENT  
YELLOWING**

## CLEAN

with a soft cloth moistened  
in lukewarm soap and water.  
Buff with a dry clean cloth.



Home Styles will provide replacements free of charge for missing or damaged hardware or parts within 30 days of purchase. Digital images of the defective parts may be required. If the product was not purchased from an authorized retail affiliate, Home Styles is under no obligation to provide replacement parts. Parts are not available for fully assembled items nor are parts available for sale. Replacements for missing or damaged hardware or parts may be requested at:

[www.homestyles-furniture.com/customer-service/replacement-parts](http://www.homestyles-furniture.com/customer-service/replacement-parts)

Home Styles Customer Service: [www.homestyles-furniture.com](http://www.homestyles-furniture.com),  
[servicedesk@homestyles-furniture.com](mailto:servicedesk@homestyles-furniture.com), 888-680-7460, 877-831-0319