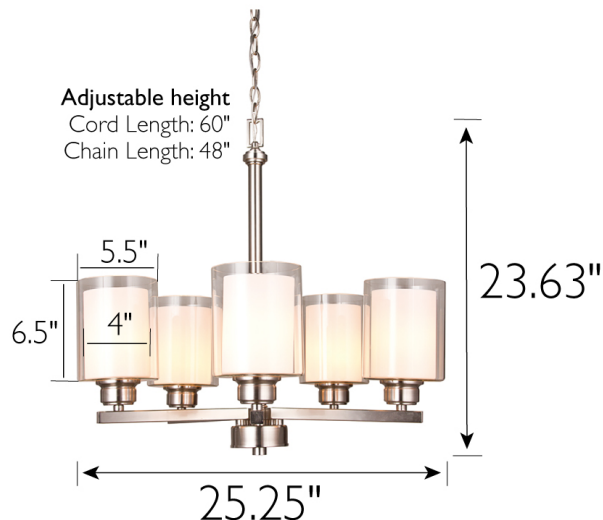


# Oslo 5-Light Dimmable Chandelier

Satin Nickel



## SPECIFICATIONS

MOUNTING:	Chandelier	LED BRIGHTNESS (LUMENS):	N/A
SLOPED CEILING ADAPTABLE:	No	LED COLOR CORRELATED TEMPERATURE (CCT):	N/A
LAMP TYPE:	Maximum 60W Medium Base Bulb	LED COLOR RENDERING INDEX (CRI):	N/A
BULB INCLUDED:	No	LED EFFICACY:	N/A
WATTS PER BULB:	60W	LED AVERAGE RATED LIFE:	N/A
TOTAL WATTAGE:	300W	ENERGY EFFICIENT:	No
DIMMABLE:	Yes	LIGHTING AMPS:	N/A
MATERIAL CONSTRUCTION:	Steel	VOLTAGE:	120V
ASSEMBLED DIMENSIONS:	23.6" H x 25.25" L x 25.25" D		
WEIGHT:	15 lbs.		
BACKPLATE DIMENSIONS:	N/A		
CANOPY/PLATE DIMENSIONS:	1" H x 5" L x 5" D		
GLASS/SHADE DIMENSIONS OUTER:	6.5" H x 5.5" L x 5.5" D		
GLASS/SHADE DIMENSIONS INNER:	6" H x 4" L x 4" D		
GLASS/SHADE MATERIAL:	Glass		
GLASS/SHADE TYPE:	Clear Outer Glass, Frosted Inner Glass		
GLASS/SHADE COLOR:	Clear Outer Glass, White Inner Glass		

WARRANTY:	10-Year limited warranty
UL/ETL CERTIFICATION:	cETL/ETL
WET/DRY/DAMP LISTING:	Dry
ADA COMPLIANT:	No
ENERGY STAR CERTIFIED:	No



TYPE:
JOB:
ORDER CODE:
APPROVALS: