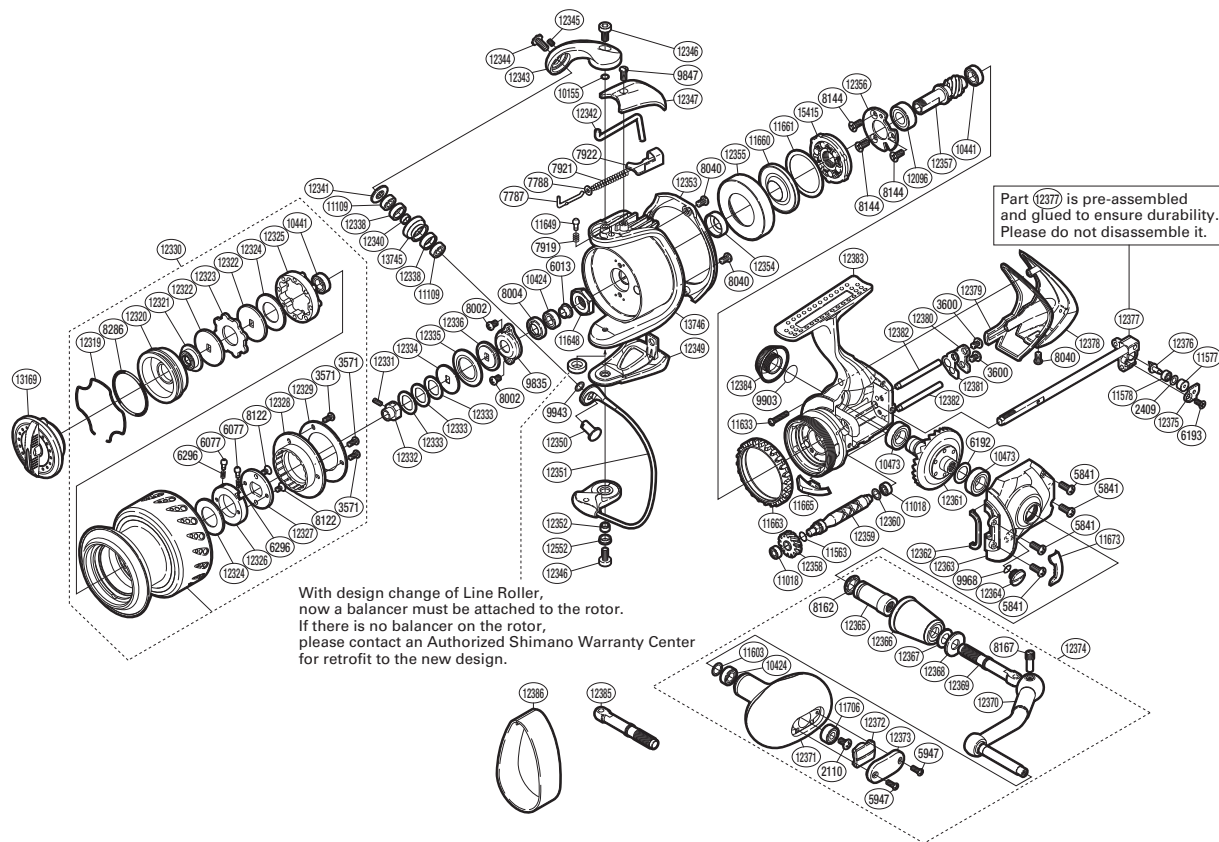


# SHIMANO

STELLA 

STL-5000SW



With design change of Line Roller, now a balancer must be attached to the rotor. If there is no balancer on the rotor, please contact an Authorized Shimano Warranty Center for retrofit to the new design.

Please note that the number of adjusting washers may not be the same as shown in the exploded views. (51SE695003U) (Adjustment will vary with each individual product.)

Part No.	Description	Part No.	Description	Part No.	Description
RD 2110	Screw	RD11648	Rotor Nut	RD12353	Rotor Guard
RD 2409	Spacer	RD11649	Click Pin	RD12354	Rotor Ring
RD 3571	Screw	RD11660	Roller Clutch Water Proof	RD12355	Roller Clutch Cover
RD 3600	Screw	RD11661	Roller Clutch Outer Spacer	RD12356	Bearing Retainer
RD 5841	Screw	RD11663	Friction Ring	RD12357	Pinion Gear
RD 5947	Screw	RD11665	Bail Trip Strike	RD12358	Idle Gear
RD 6013	Main Shaft Spacer	RD11673	Friction Ring Spacer	RD12359	Worm Shaft
RD 6077	Click Pin	RD11706	Ball Bearing	RD12360	Washer
RD 6192	Washer	RD12096	Ball Bearing	RD12361	Drive Gear
RD 6193	Screw	RD12319	Drag Washers Retainer	RD12362	Flange Water Proof
RD 6296	Click Spring	RD12320	Thrust Bushing	RD12363	Side Cover
RD 7787	Bail Spring Guide A	RD12321	Bearing Support	RD12364	Oil Cap
RD 7788	Spring Guide A Support	RD12322	Key Washer	RD12365	Handle Shaft Cover B
RD 7919	Click Spring	RD12323	Eared Washer	RD12366	Handle Shaft Cover
RD 7921	Bail Spring	RD12324	Drag Washer	RD12367	Handle Lock Spacer
RD 7922	Bail Spring Seat	RD12325	Spool Bushing	RD12368	Large Handle Shank Washer
RD 8002	Screw	RD12326	Drag Click Holder	RD12369	Handle Shaft (left)
RD 8004	Bearing Water Proof	RD12327	Drag Click Holder Cover	RD12370	Handle Shank Assembly
RD 8040	Screw	RD12328	Drag Cover	RD12371	Handle Knob
RD 8122	Screw	RD12329	Drag Cover I.D. Plate	RD12372	Handle Knob Seal
RD 8144	Screw	RD12330	Spool Assembly	RD12373	Handle Knob I.D. Plate
RD 8162	Handle Shaft Seal	RD12331	Set Screw	RD12374	Handle Assembly
RD 8167	Handle Shaft Screw	RD12332	Bearing Bushing	RD12375	Oscillating Pawl Cover
RD 8286	O Ring	RD12333	Spool Washer	RD12376	Oscillating Pawl
RD 9835	Rotor Nut Lock Plate	RD12334	Spool Support B	RD12377	Main Shaft Assembly
RD 9847	Screw	RD12335	Bearing Water Proof	RD12378	Rear Protector
RD 9903	O Ring	RD12336	Spool Support	RD12379	Rear Shield
RD 9943	Washer	RD12338	Line Roller Bushing	RD12380	Worm Shaft Retainer
RD 9968	O Ring	RD12340	Bearing Spacer	RD12381	Worm Shaft Retainer Washer
RD10155	Spacer	RD12341	Line Roller Plate	RD12382	Oscillating Guide
RD10424	Ball Bearing	RD12342	Bail Trip Lever	RD12383	Body
RD10441	Ball Bearing	RD12343	Bail Arm	RD12384	Handle Screw Cap
RD10473	Ball Bearing	RD12344	Screw	RD12552	Bail Trip Cam Bushing
RD11018	Ball Bearing	RD12345	Set Screw	RD13169	Drag Knob
RD11109	Ball Bearing	RD12346	Screw	RD13745	Line Roller
RD11563	Worm Shaft Ring	RD12347	Bail Spring Cover	RD13746	Rotor
RD11577	Oscillating Slider Bushing	RD12349	Bail Hold Support Guard	RD15415	Roller Clutch Assembly
RD11578	Ball Bearing	RD12350	Line Roller Support		
RD11603	Washer	RD12351	Bail Assembly	RD12385	Handle Shaft (right) (accessory)
RD11633	Screw	RD12352	Screw Collar	RD12386	Line Band (accessory)