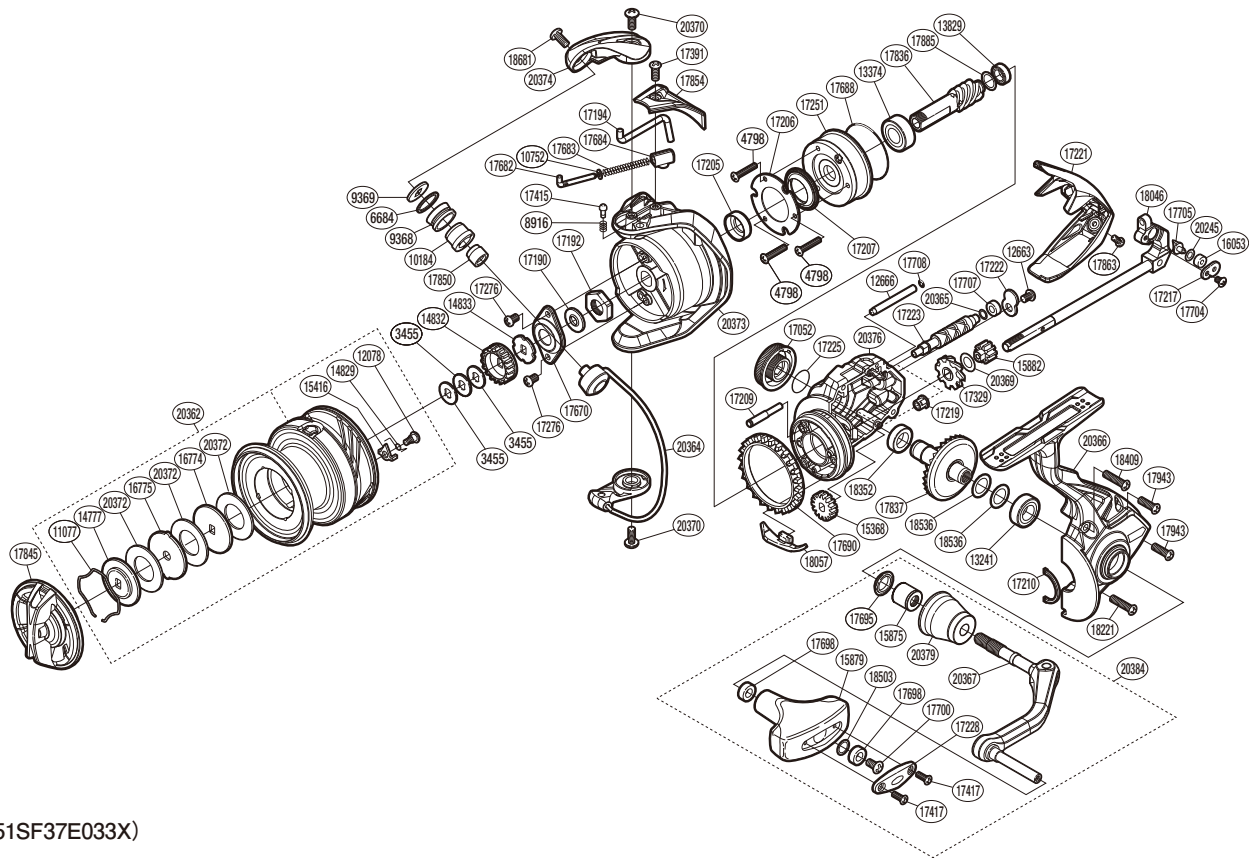


# SHIMANO

## SPHEROS

## SPC3000HGSW



(51SF37E033X)

#	Part No.	Description	#	Part No.	Description	#	Part No.	Description
3455	10BXN	Spool Washer	17205	10JHG	Rotor Ring	17836	101SS	Pinion Gear
4798	103C6	Screw	17206	10L62	Roller Clutch Reinforce	17837	101WY	Drive Gear Assembly
6684	10KFD	Line Roller Spacer	17207	10MH6	Roller Clutch Water Proof	17845	10DLX	Drag Knob Assembly
8916	10CH0	Click Spring	17209	10CLD	Idle Gear B Shaft	17850	1020X	Line Roller Collar
9368	10JLF	Line Roller	17210	10CBD	Flange Water Proof	17854	10DNX	Bail Spring Cover
9369	10PFP	Line Roller Washer	17217	10HAK	Oscillating Pawl Cover	17863	10LCS	Screw
10184	10PFH	Line Roller Bushing	17219	106MA	Worm Bushing (Front)	17885	10HEP	Washer
10752	10TYE	Bail Spring Guide A Support	17221	10NNF	Rear Protector	17943	10LPL	Screw
11077	10MZX	Drag Washer Retainer	17222	10ATJ	Worm Shaft Retainer	18046	10SFP	Main Shaft Assembly
12078	10PH4	Screw	17223	1068G	Worm Shaft	18057	107E0	Bail Trip Strike
12663	10LHQ	Screw	17225	1090A	O Ring	18221	10L6G	Screw
12666	10H17	Oscillating Guide A	17228	108X5	Handle Knob I.D. Plate	18352	10SV6	Bushing
13241	104JD	Ball Bearing	17251	10QPN	Roller Clutch Assembly	18409	10L6P	Screw
13374	104Q5	Ball Bearing	17276	10PME	Screw	18503	101BD	Washer
13829	104JZ	Ball Bearing	17329	10R3M	Idle Gear B Large	18536	1003B	Washer
14777	10QBT	Key Washer	17391	10LFK	Screw	18681	10PMH	Screw
14829	10PH3	Drag Click Spring	17415	106ZC	Click Pin	20245	101AT	Washer
14832	103MU	Spool Support A	17417	10L1T	Screw	20362	10T59	Spool Assembly
14833	10J04	Spool Support B	17670	10TRH	Rotor Nut Lock Plate	20364	10SVG	Bail Assembly
15368	10HBH	Idle Gear	17682	1061L	Bail Spring Guide	20365	10SBX	Washer
15416	1038H	Drag Click	17683	105R6	Bail Spring	20366	10SVK	Side Cover Assembly
15875	10C82	Handle Shaft Cover B	17684	107AB	Bail Spring Guide B	20367	10SVB	Handle Shank Assembly
15879	102HK	Handle Knob	17688	10MLU	O Ring	20369	10DHA	Washer
15882	106RH	Idle Gear B Small	17690	104FV	Friction Ring	20370	103DA	Screw
16053	10JXM	Oscillating Slider Bushing	17695	10PXV	Handle Shaft Seal	20372	100EN	Drag Washer
16774	10BCE	Key Washer	17698	10PXZ	Handle Knob Bushing	20373	100ED	Rotor
16775	102ZD	Eared Washer	17700	10LFA	Screw	20374	100DX	Bail Arm
17052	10N4J	Handle Screw Cap	17704	10LCD	Screw	20376	100E8	Body
17190	107L4	Bearing Water Proof	17705	10JT4	Oscillating Pawl	20379	100E7	Handle Shaft Cover
17192	1067Y	Rotor Nut	17707	106CN	Worm Bushing (Rear)	20384	10T5L	Handle Assembly
17194	106P2	Bail Trip Lever	17708	10JAC	O Ring			

Please note that the number of adjusting washers may not be the same as shown in the exploded views.  
(Adjustment will vary with each individual product.)

(230801)\_003