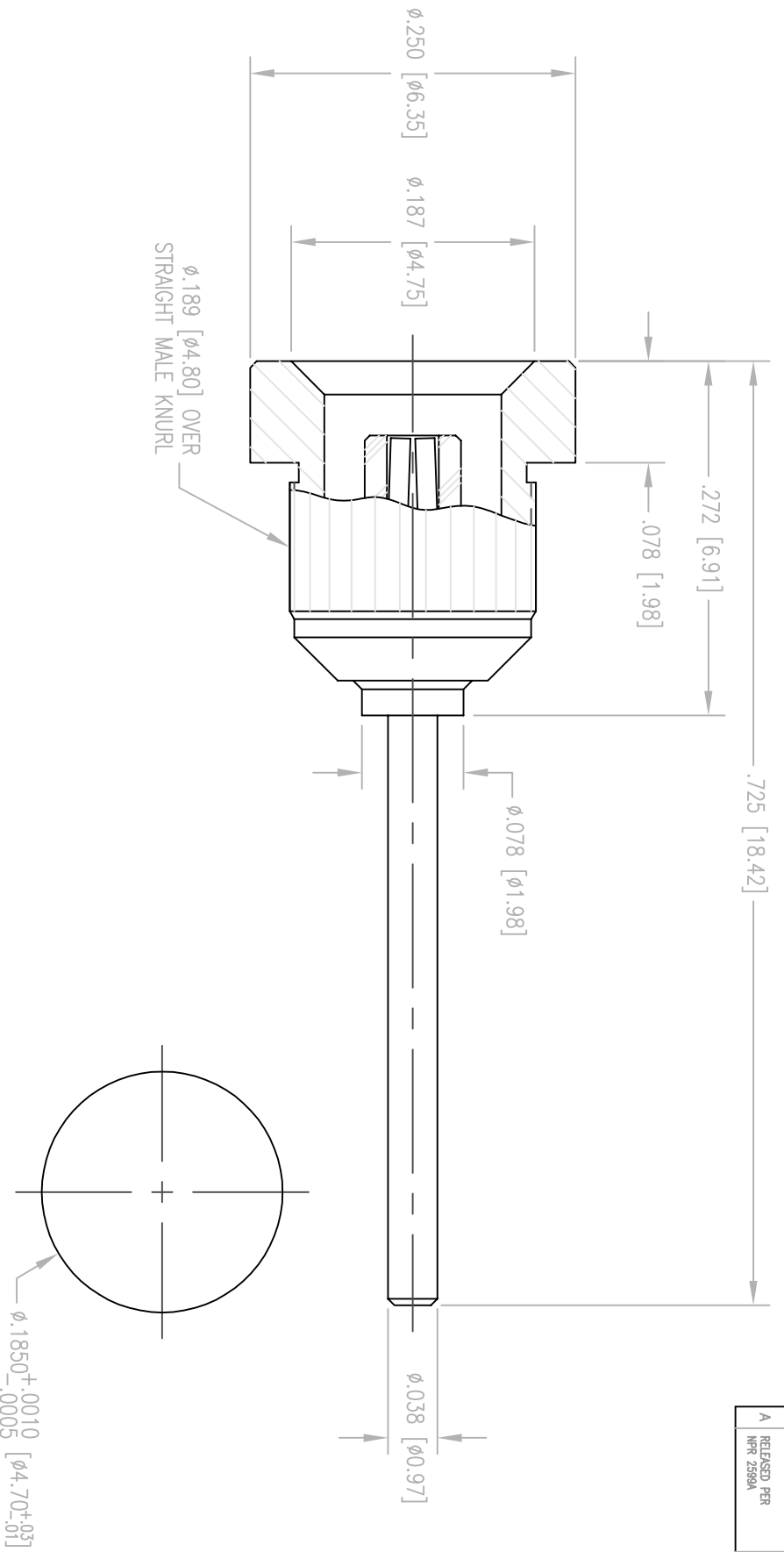


REV.	DESCRIPTION	BY	DATE
A	RELEASED PER NPR 2599A	MF	11/28/01



RECOMMENDED MOUNTING HOLE LAYOUT

NOTES:

1. MATERIALS:

- BODY: BRASS PER ASTM B16
- INSULATOR: TEFLON PER ASTM D1710
- CENTER CONTACT: COPPER ALLOY

2. FINISH:

- BODY: .000015 MIN. GOLD PER MIL-G-45204
- OVER COPPER FLASH
- CENTER CONTACT: .000030 MIN. GOLD PER MIL-G-45204
- OVER COPPER FLASH

PER ASME Y14.5M-1994 UNLESS OTHERWISE SPECIFIED: DIMENSIONS ARE IN INCHES (MM) DECIMALS .xx ± .01/0.254 FRACTIONS .xxx ± .005/0.127 ANGLES 3°		SCALE: 8:1	
CUSTOMER DRAWING		TITLE	
DRAWN: JHM DATE: 10/4/01	CHECKED: MJP DATE: 10/4/01	APPROVED: JDM DATE: 10/4/01	DATE: 10/4/01
WINCHESTER/RETICONN 400 Park Road Waterbury, Connecticut 06795		MCX PRESS FIT RECEPTACLE	
451-000-0045J		SH: 1	OF: 1
		REV: A	