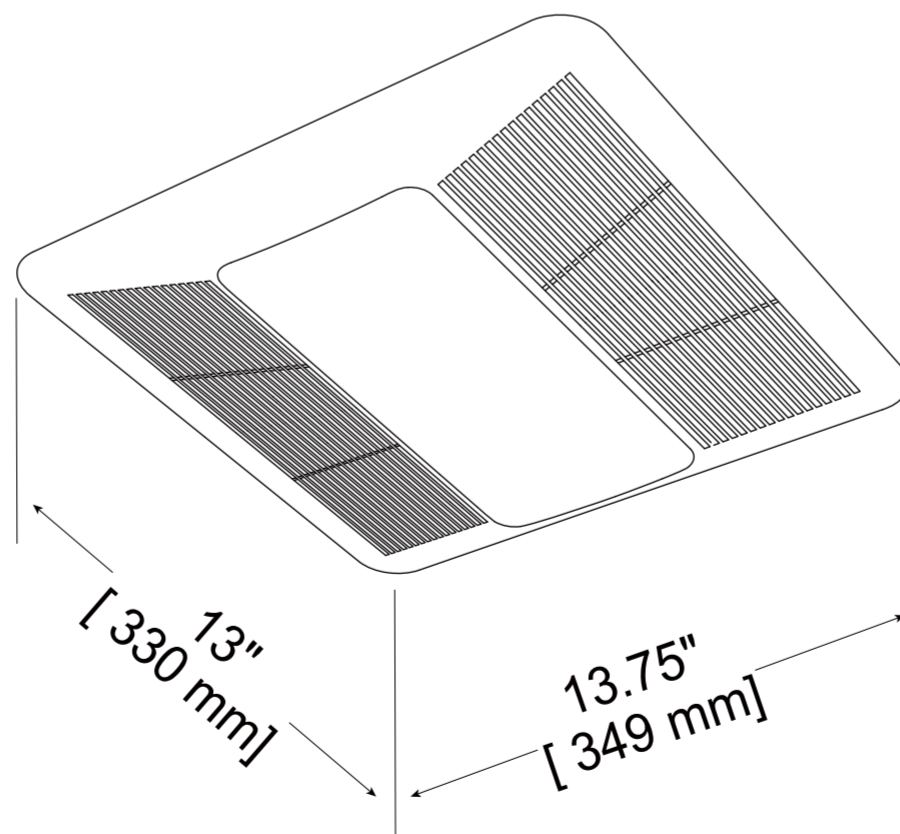
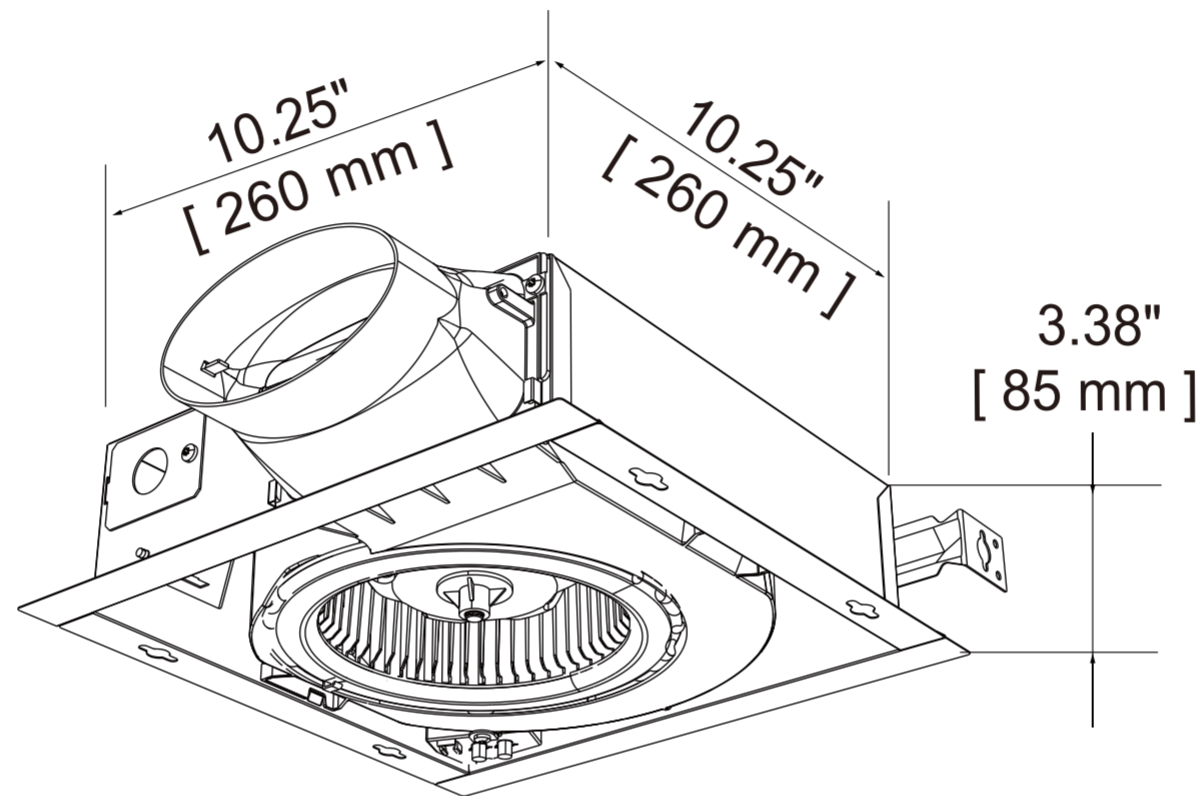


EF-AZ106MB

EXHAUST FAN



This fan can be installed to 10.5" - 21" between the joist or to I-joists, standard joists and truss construction.

HAVE QUESTIONS? CALL [305-614-4070](tel:305-614-4070) OR VISIT ANZZI.COM