

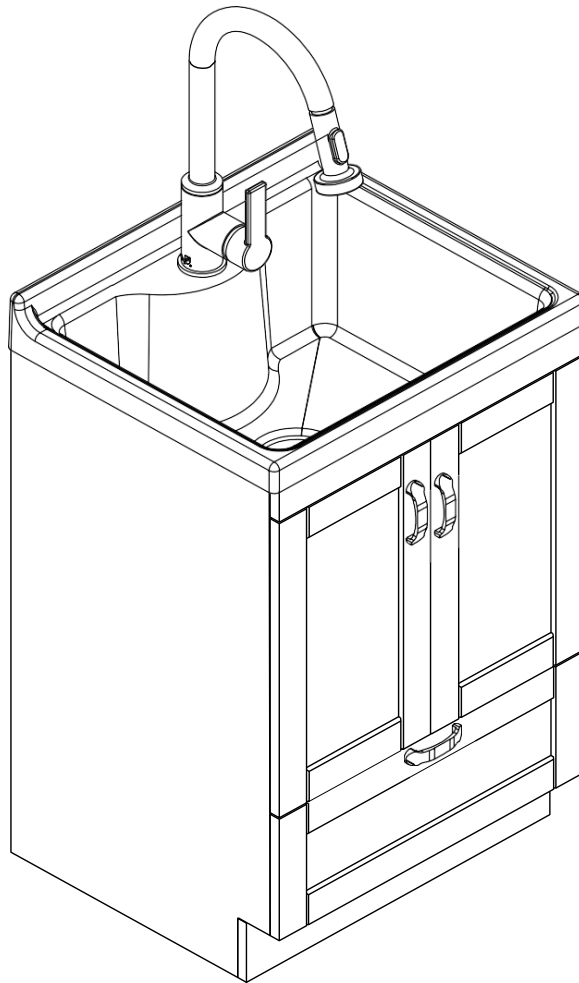
# SIMPLIHOME®

## Maile / Janine / Cisco

---

### 24 inch Laundry Cabinet with Faucet and ABS Sink

Model # AXCLDYMAI24-AB



brooklyn + max™

Wyndent Hall™  
HOME DECOR

# SIMPLIHOME®

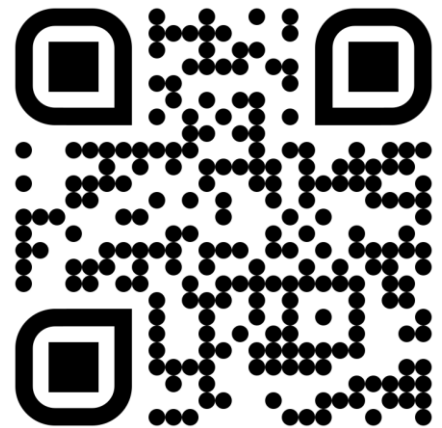
## Great quality is a right.

Thank you for shopping with Simpli Home,  
America's top brand for high-value furniture.



## It's time to register your product warranty.

It's quick and easy. And you'll be happy you did.



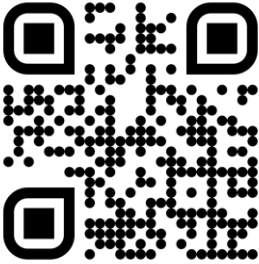
- ✓ Activate your **1-year** warranty.
- ✓ Automatic entry to win a **\$500** gift certificate.
- ✓ Earn instant rewards and **save**.

[simpli-home.com/product-registration](https://simpli-home.com/product-registration)

# SIMPLIHOME®

## Review your product and collect rewards!

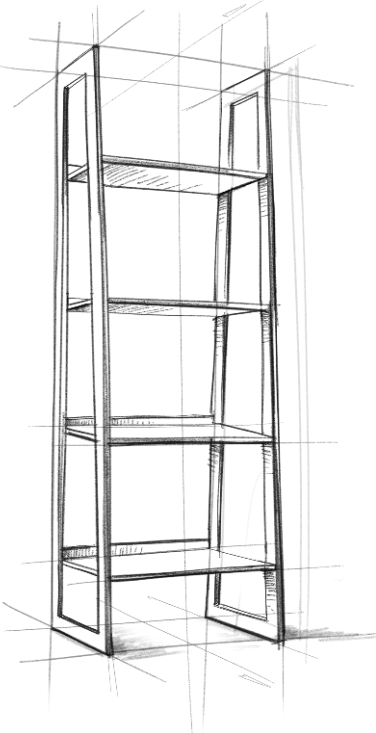
Thank you for your purchase! We hope you enjoy it. We'd love your feedback. Please share a review and get instant rewards!



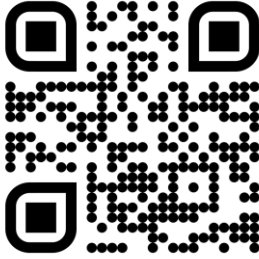
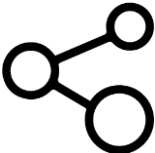
[simpli-home.com/product-review](https://simpli-home.com/product-review)



## Share photos and get your cash back!



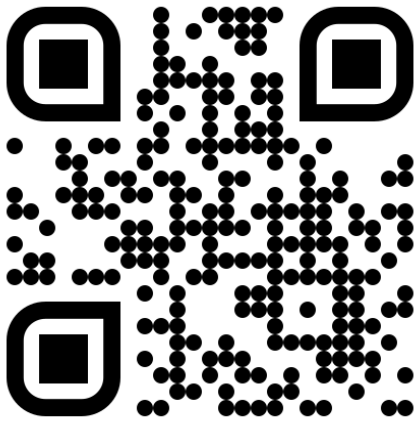
Send us images or share them on social and qualify for instant rewards. You may even receive store credit on your entire purchase!



[simpli-home.com/share-images](https://simpli-home.com/share-images)

# SIMPLIHOME®

## For fastest customer service:



1. Open your phone's camera.
2. Point your phone's camera at the QR code to scan.
3. Click on the pop up.
4. You'll be taken to our customer service page.
5. Fill the form with your order information and issue.
6. Submit form.
7. A customer service associate will contact you.

## Other ways to contact us...



### Email Us

[customerservice@simpli-home.com](mailto:customerservice@simpli-home.com)



### Visit Us

Visit our site directly at  
[www.simpli-home.com](http://www.simpli-home.com)



### Call Us

1-866-518-0120  
Monday to Friday  
9am to 5pm EST

**\*If you've purchased from a retailer and you wish to return the product, please contact the retailer directly.**

**IMPORTANT:** Please read this manual carefully before beginning assembly of this product. Keep this manual for future reference.

## Safety Information

**This furniture is designed for indoor use.**

Identify all the parts and hardware. Do not discard of the packaging until you have checked that you have all the parts and hardware required. Hardware package may have spare parts.

**WARNING:** This item contains small parts which can be swallowed by children and pets. Keep children and pets away during assembly. To avoid danger of suffocation, always keep plastic bags away from children and pets.

We recommend that you assemble this unit on a carpeted floor to avoid scratches. If using power tools, set the tool to low torque to avoid damage.

**May require 2 people for ease of assembly.**

## Care & Maintenance

To clean, use a soft or slightly damp cloth, then wipe with a clean, dry cloth.

Dust with a soft dry cloth.

Do not use ammonia-based cleaning products, as they will damage the finish.

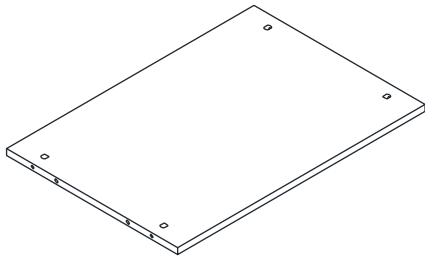
Do not leave liquids or damp cloths on this furniture.

To avoid dulling of the finish, do not place this furniture in direct sunlight.

Please inspect and tighten all screws or bolts on a regular basis to ensure proper performance and safety of your item.

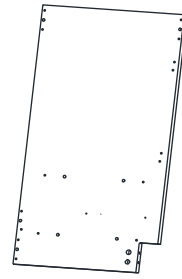
**Cabinet Parts**

**A**



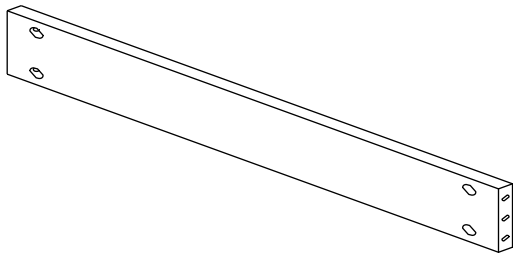
**BOTTOM PANEL**  
QTY 2

**B**



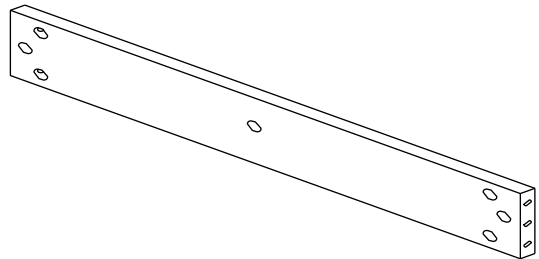
**RIGHT SIDE PANEL**  
QTY 1

**C**



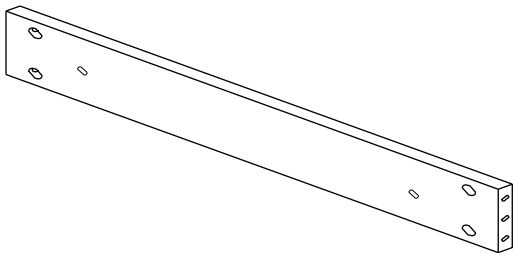
**BACK MIDDLE AND BOTTOM PANEL**  
QTY 2

**D**



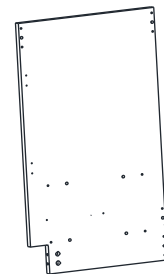
**TOP PANEL**  
QTY 1

**E**



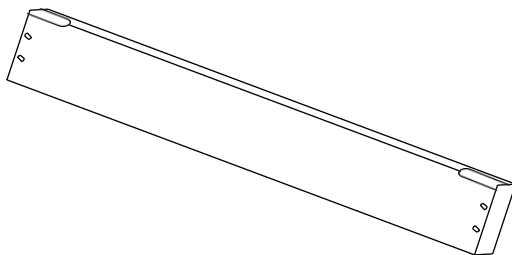
**BACK TOP PANEL**  
QTY 1

**F**



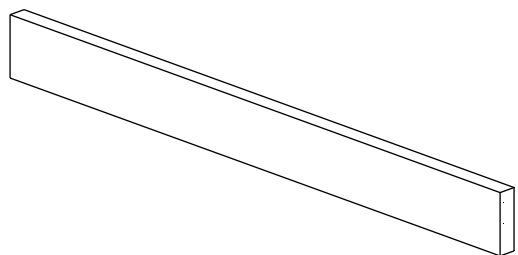
**LEFT SIDE PANEL**  
QTY 1

**G**



**FRONT BOTTOM PANEL**  
QTY 1

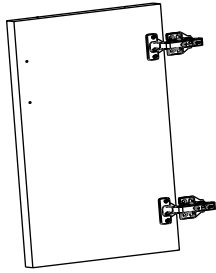
**H**



**FRONT TOP PANEL**  
QTY 1

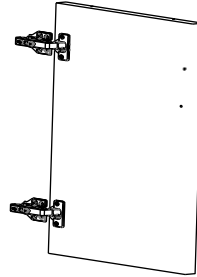
**Cabinet Parts**

**I**



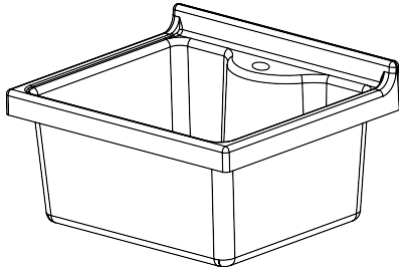
**LEFT DOOR**  
QTY 1

**J**



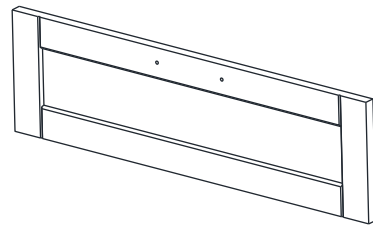
**RIGHT DOOR**  
QTY 1

**K**



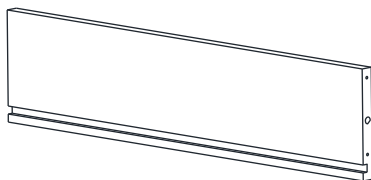
**ABS SINK**  
QTY 1

**L**



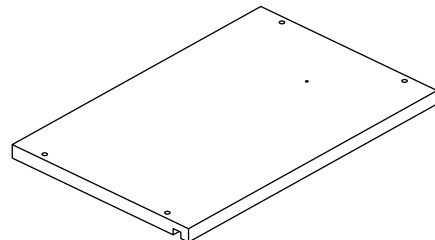
**DRAWER FRONT**  
QTY 1

**M**



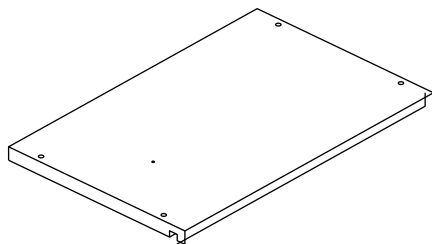
**DRAWER BACK**  
QTY 1

**N**



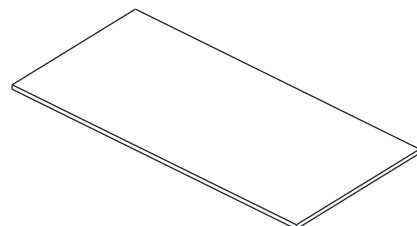
**DRAWER SIDE LEFT**  
QTY 1

**O**



**DRAWER SIDE RIGHT**  
QTY 1

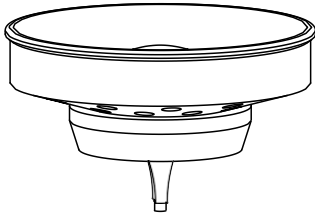
**P**



**DRAWER BOTTOM**  
QTY 1

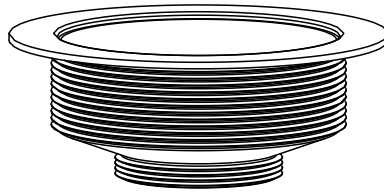
**Drain Parts**

**1**



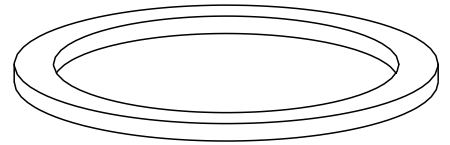
**DRAIN PLUG ASSEMBLY  
QTY 1**

**2**



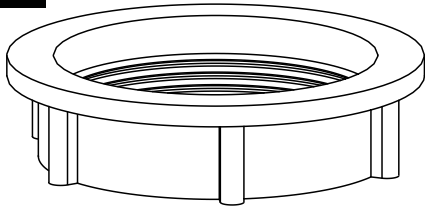
**DRAIN BOWL ASSEMBLY  
QTY 1**

**3**



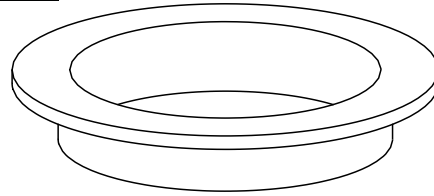
**DRAIN WASHER BLACK  
QTY 1**

**4**



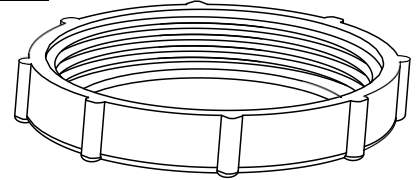
**THREAD WASHER  
QTY 1**

**5**



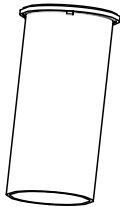
**PIPE WASHER  
QTY 1**

**6**



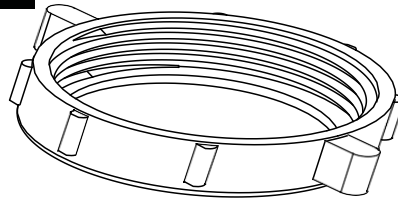
**COUPLING BLACK  
QTY 1**

**7**



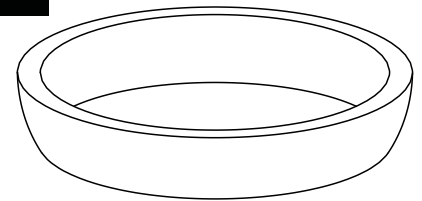
**STRAIGHT DRAIN PIPE BLACK  
QTY 1**

**8**



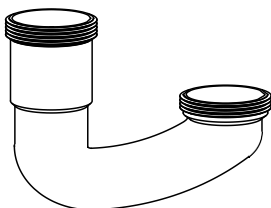
**COUPLING BLACK  
QTY 2**

**9**



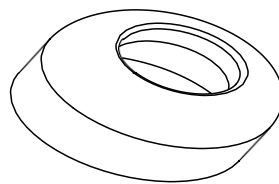
**PIPE WASHER WHITE  
QTY 1**

**10**



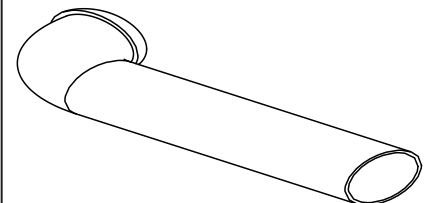
**DRAIN CHANNEL BLACK  
QTY 1**

**11**



**PIPE COVER BLACK  
QTY 1**

**12**

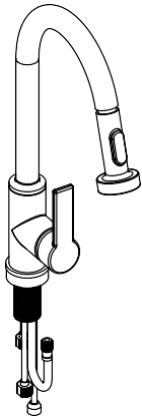


**OUTER DRAIN CHANNEL  
QTY 1**



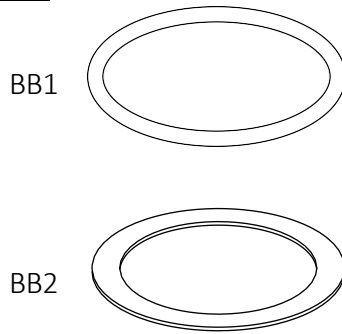
**Faucet Parts**

**AA**



**FAUCET BODY**  
QTY 1

**BB**

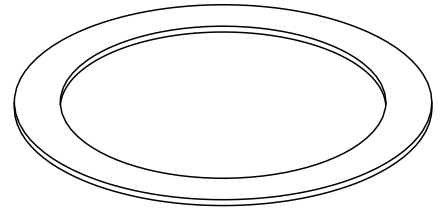


BB1

BB2

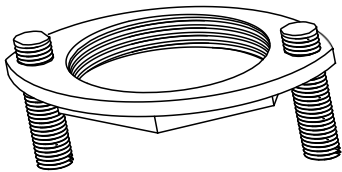
**FAUCET WASHER RUBBER**  
QTY 2

**CC**



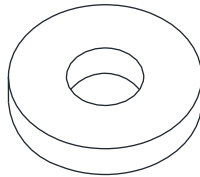
**FAUCET WASHER STEEL**  
QTY 1

**DD**



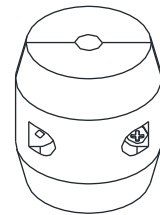
**BRASS NUT ASSEMBLY**  
QTY 1

**EE**



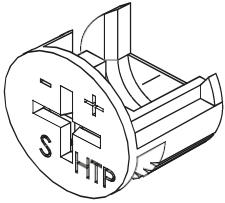
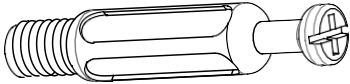

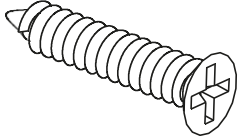
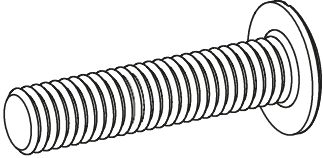

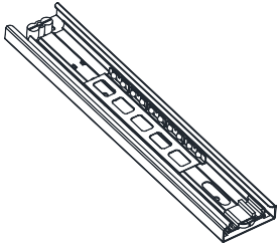

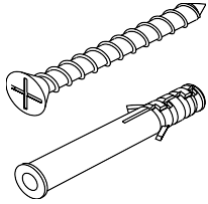
**FAUCET SEALING RING**  
QTY 1

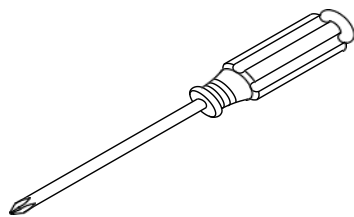
**FF**



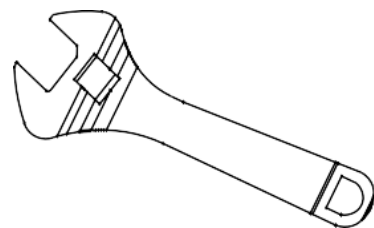
**WEIGHT BLOCK**  
QTY 1

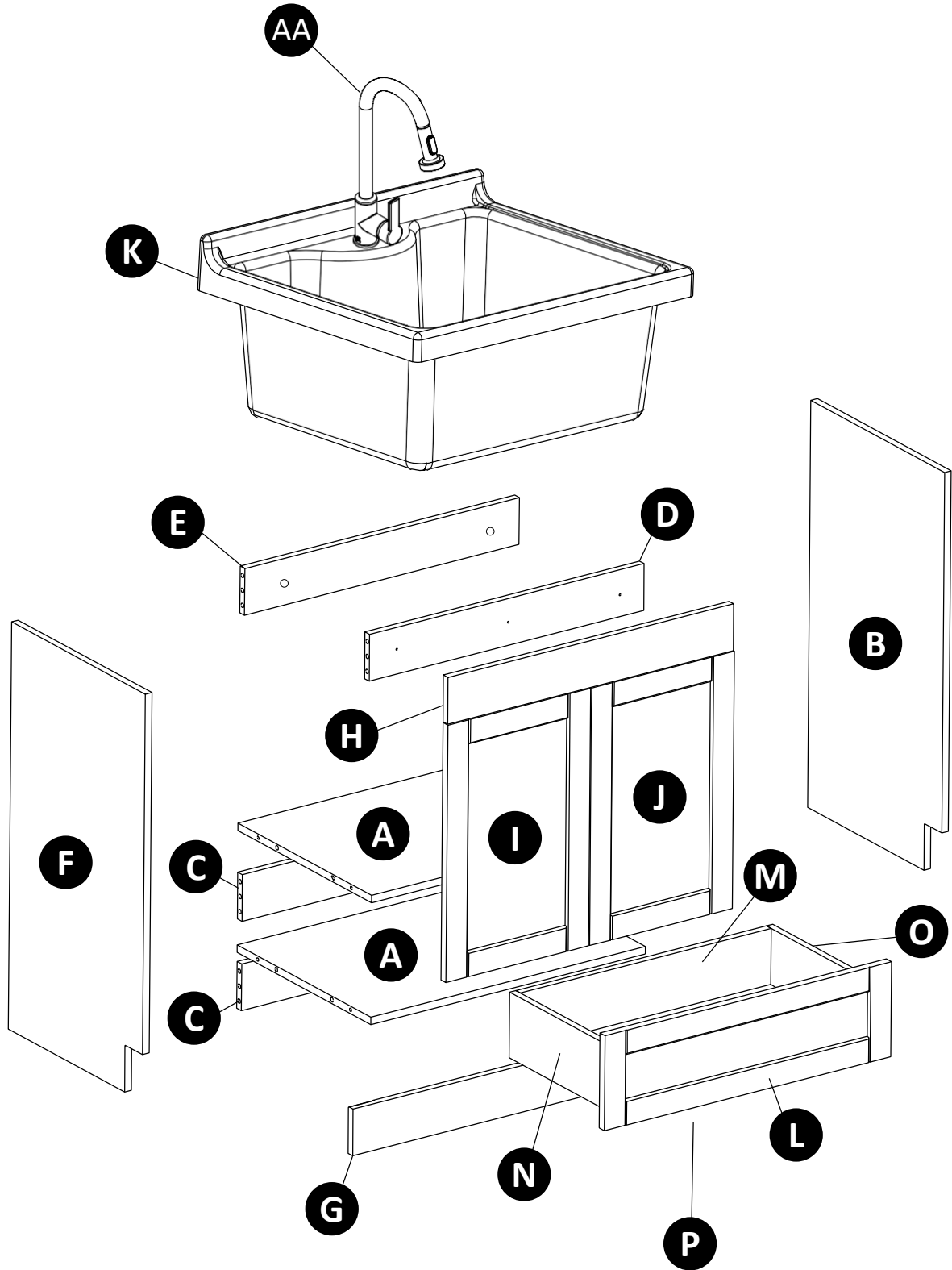
**Hardware Parts**

<p><b>I</b></p>  <p>CAM LOCK QTY 29</p>	<p><b>II</b></p>  <p>CAM PIN QTY 29</p>	<p><b>III</b></p>  <p>WOOD DOWEL QTY 21</p>
<p><b>IV</b></p>  <p>SELF-TAPPING SCREW M4 x 14 M4 x 25 M4 x 40 QTY 29 QTY 4 QTY 9</p>	<p><b>V</b></p>  <p>PHILLIPS SCREW M4 x 23 QTY 6</p>	<p><b>VI</b></p>  <p>HANDLE QTY 3</p>
<p><b>VII</b></p>  <p>SLIDE RAIL QTY 2</p>	<p><b>VIII</b></p>  <p>SLIDE RAIL QTY 2</p> <p>SMALL SCREWDRIVER QTY 1</p>	<p><b>IX</b></p>  <p>WALL ANCHOR and SCREW M6 x 60 2 SETS</p>




**Required**  
Phillips screwdriver  
Adjustable Wrench  
**Not Included**

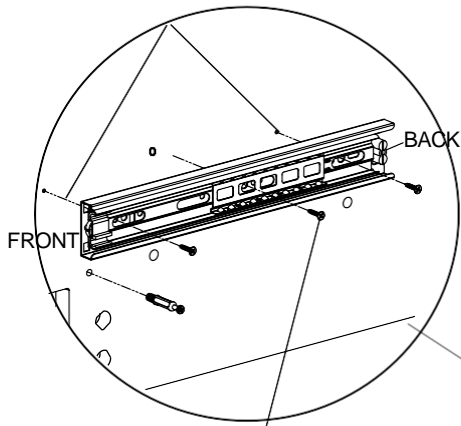




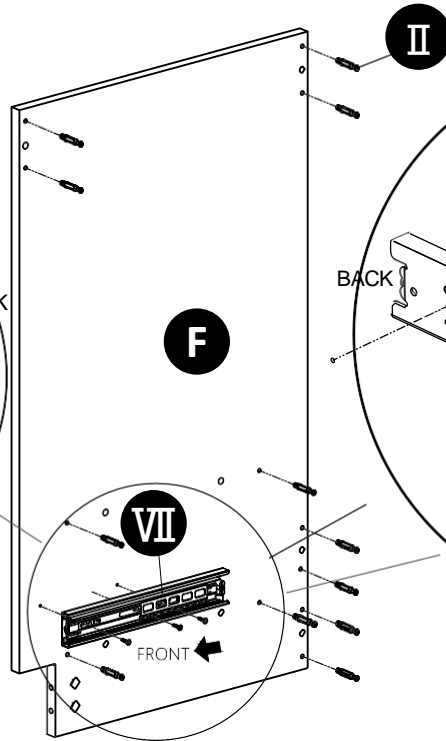
## Step 1

  
NOTE: THE SCREWDRIVER IS NOT INCLUDED IN THE HARDWARE PACK.

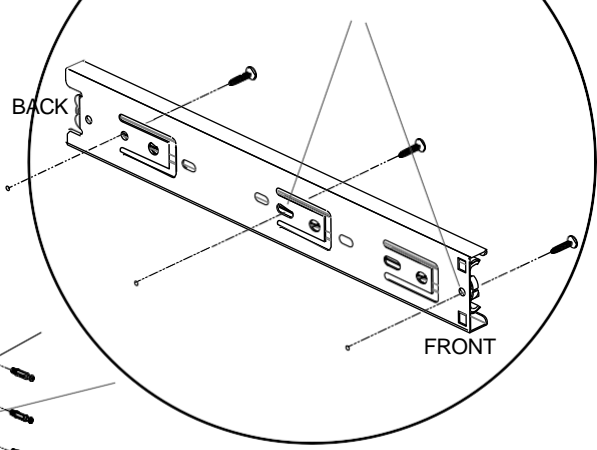
Screw into Left Side Panel into two pre-drilled small holes first.



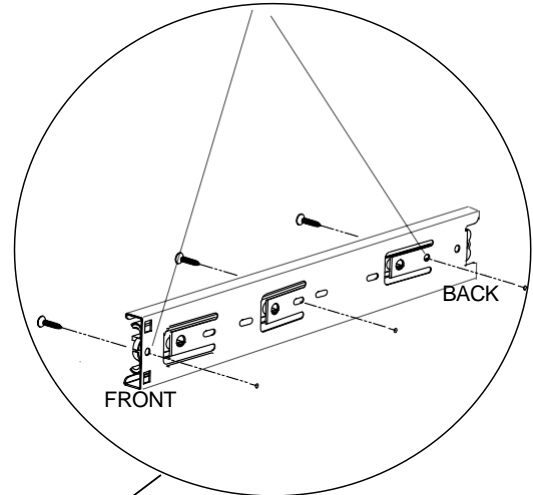
**IV**  
M4X14



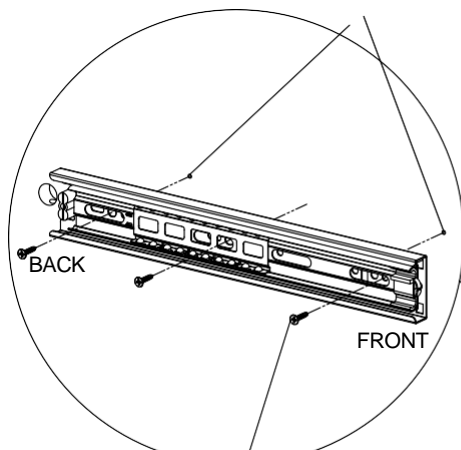
Use this hole for the screw to go through



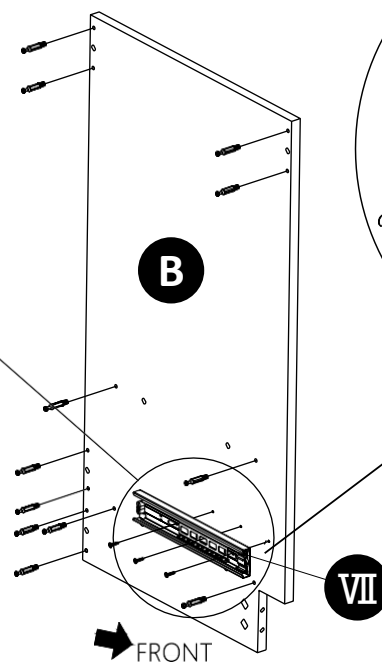
Use this hole for the screw to go through



Screw into Right Side Panel into two pre-drilled small holes first.



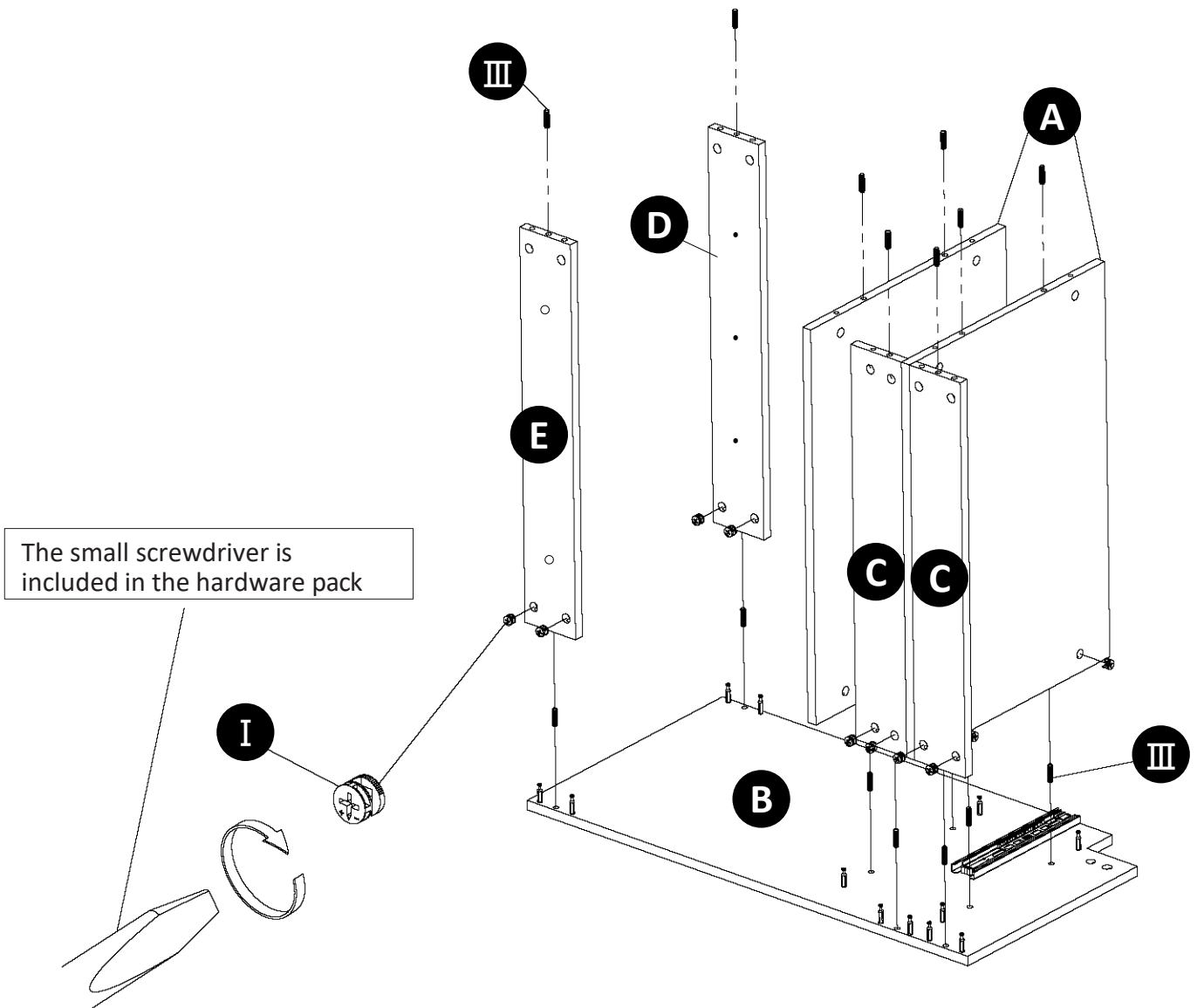
**IV**  
M4X14



FRONT

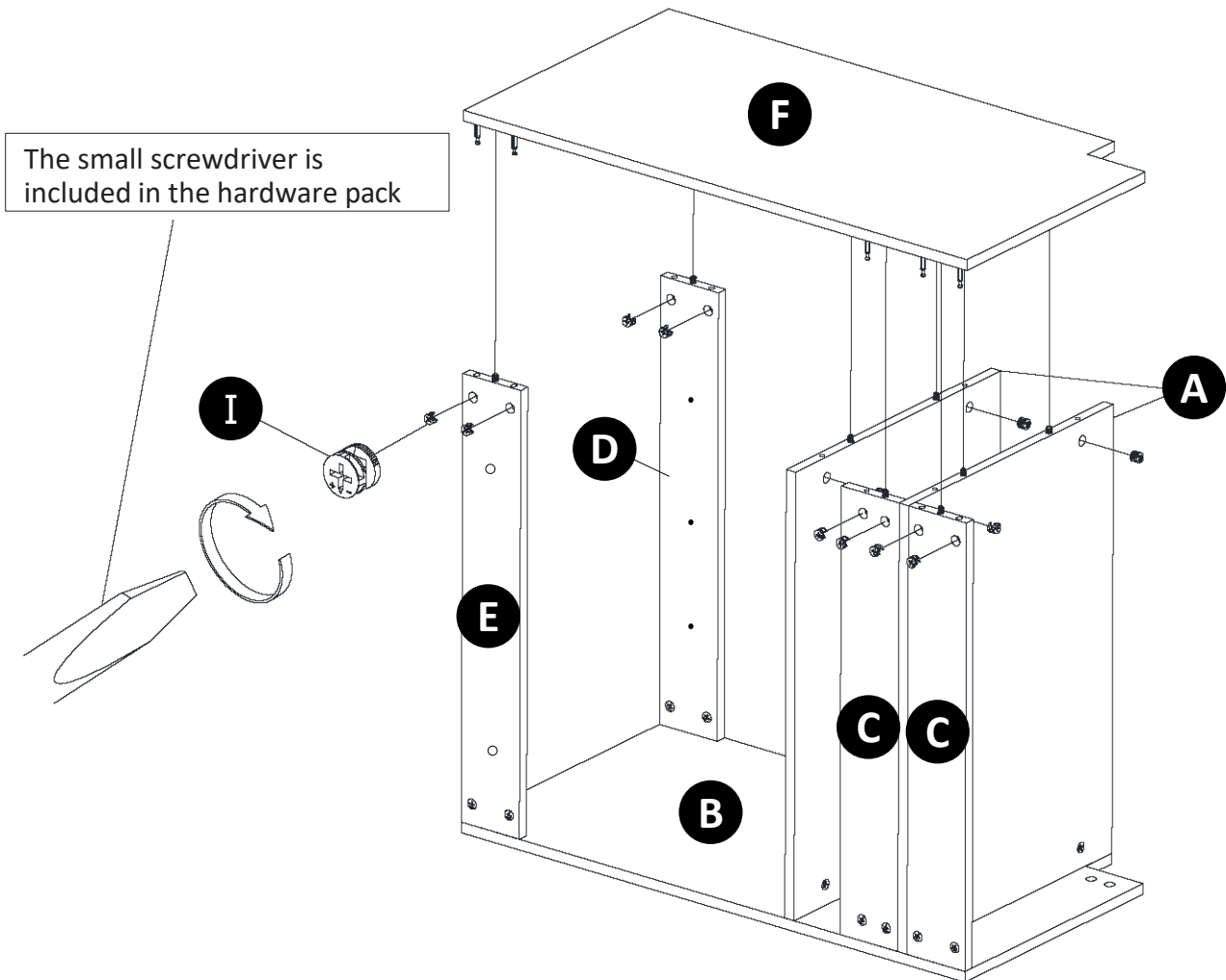
1. Screw Cam Pins (II) into the pre-drilled small holes on Left Side Panel (F) and Right Side Panel (B).
2. Insert Self-Tapping Screw (IV) M4 x 14 through the hole of Slide Rail (VII), then screw into the small hole of Left Side Panel (F) and Right Side Panel (B).

## Step 2



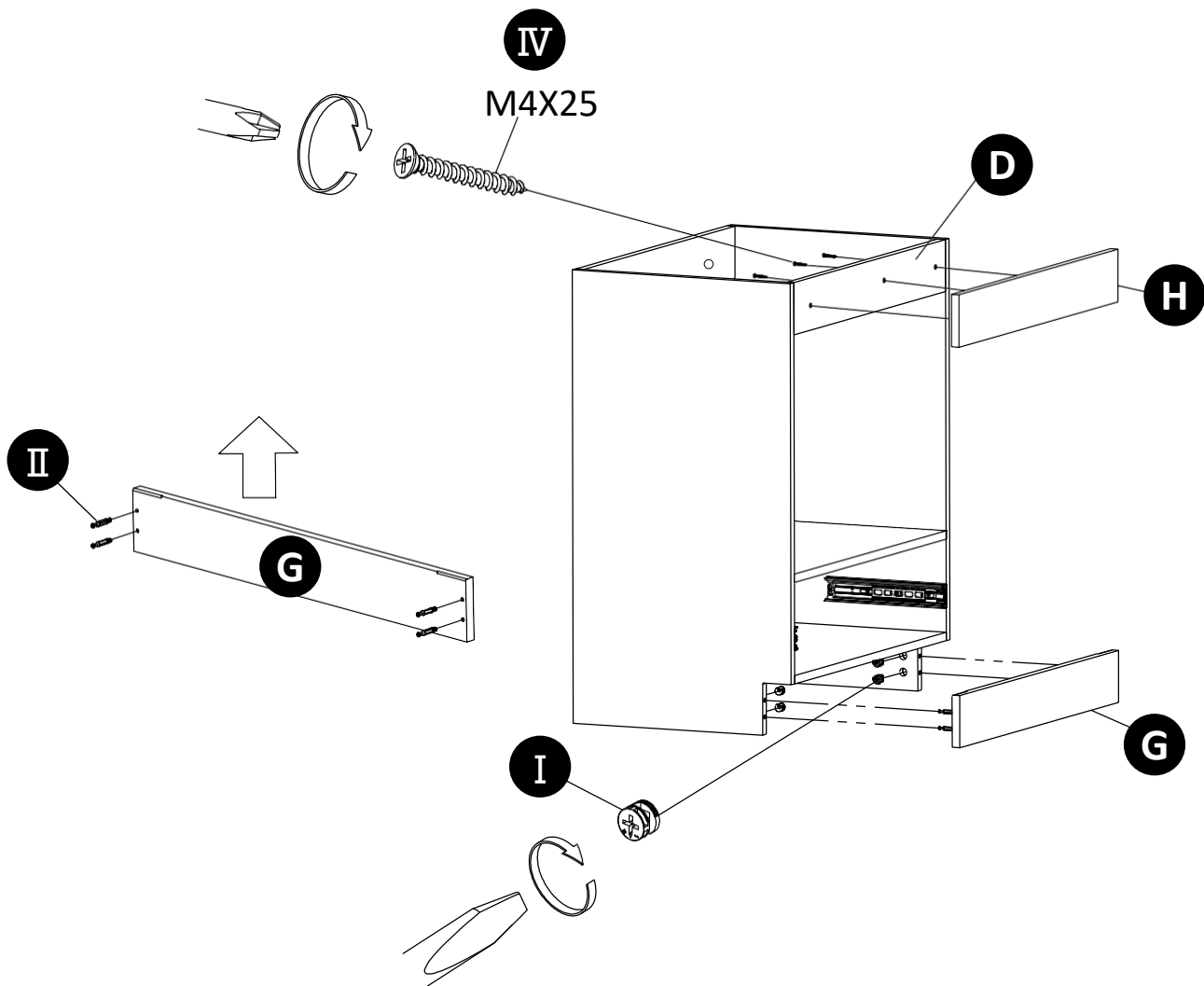
1. Insert Wood Dowels (III) into the pre-drilled hole of Bottom Panel (A), Back Middle and Bottom Panels (C), Back Top Panel (E) and Top Panel (D).
2. Insert Cam Locks (I) into the pre-drilled hole of Bottom Panel (A), Back Middle and Bottom Panels (C), Back Top Panel (E) and Top Panel (D).
3. Attach Bottom Panel (A), Back Middle And Bottom Panels (C), Back Top Panel (E) and Top Panel (D) to Right Side Panel (B).

Step 3




1. Attach the Left Side Panel (F) with Cam Pins (I) and Dowels into the pre-drilled holes.
2. Insert Cam Locks (I) into the pre-drilled hole of Bottom Panel (A), Back Middle and Bottom Panels (C), Back Top Panel (E) and Top Panel (D).
3. Tighten with the Screwdriver.

## Step 4

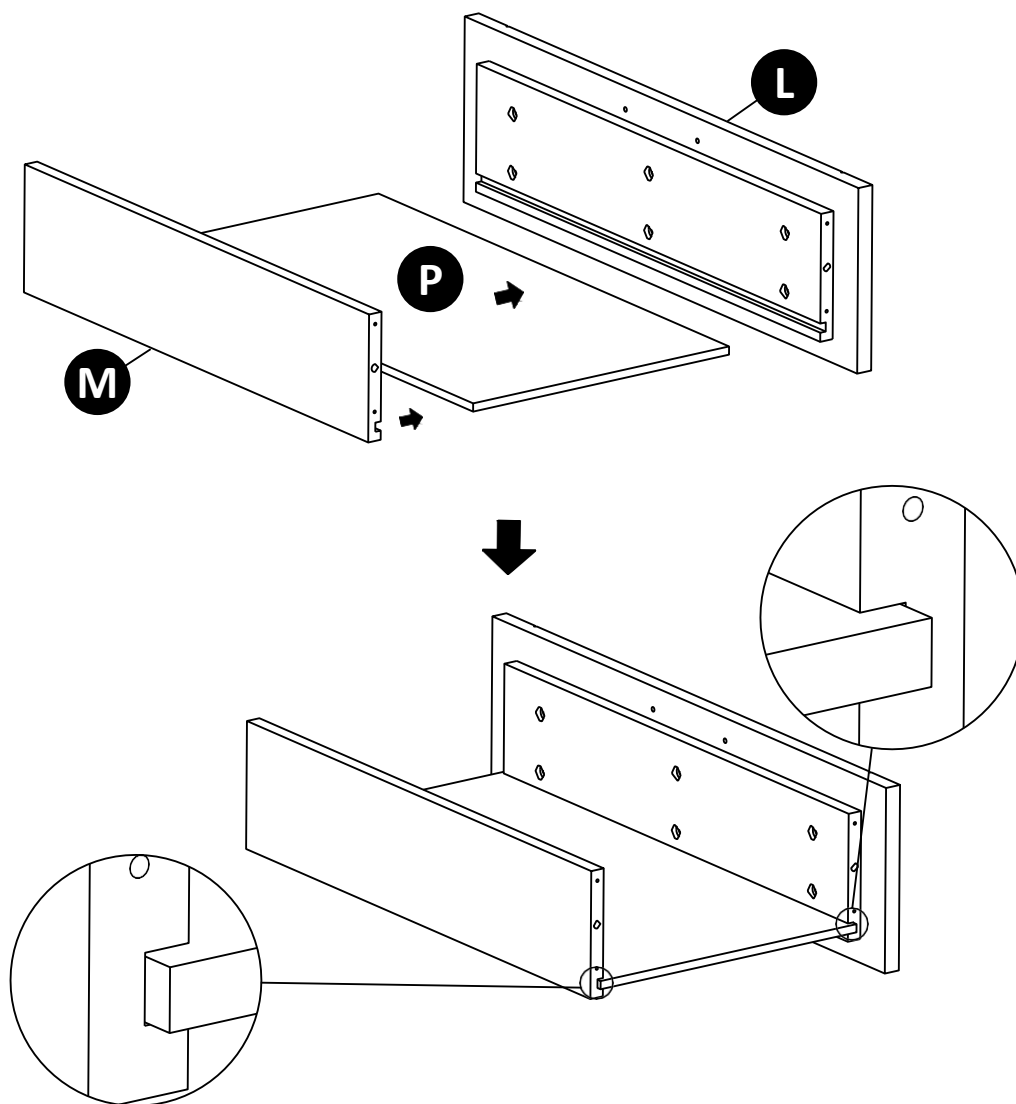


1. Screw Cam Pins (II) into the pre-drilled small holes on Front Bottom Panel (G).
2. Insert Front Bottom Panel (G) with Cam Pins (II) into the pre-drilled holes on both Side Panels (B) and (F).
3. Insert Cam Locks (I) into pre-drilled holes on both Side Panels (B) and (F).
4. Tighten with the Screwdriver.
5. Insert Self-Tapping Screw (IV) M4 x 25 through the hole of Front Top Panel (D), then screw it into the Front Panel (H).

Step 5



NOTE: THE SCREWDRIVER IS NOT INCLUDED IN THE HARDWARE PACK.



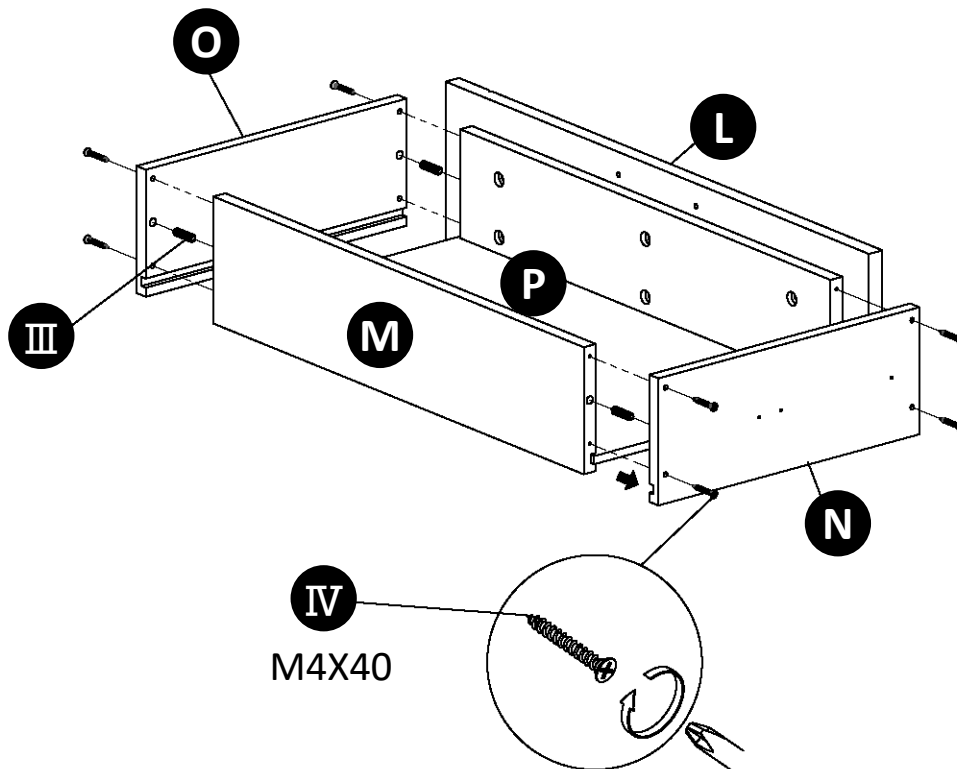
1. Place the Drawer Bottom (P) into the slot of Drawer Front (L) and Drawer Back (M).
2. Ensure the Drawer Bottom (P) is in the slot of the Drawer Front (L) and Drawer Back (M).



## Step 6

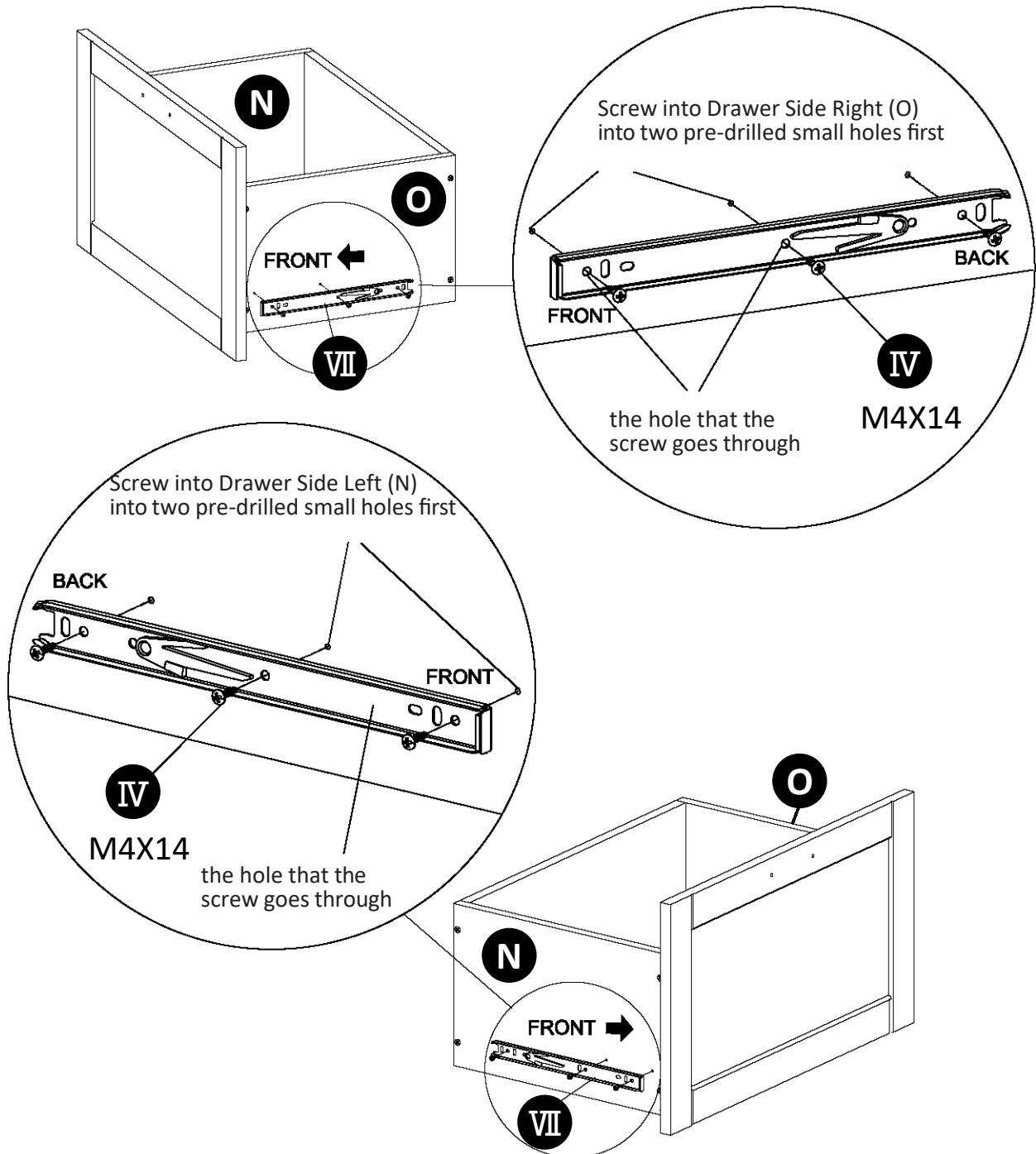


**NOTE: THE SCREWDRIVER IS NOT INCLUDED IN THE HARDWARE PACK.**



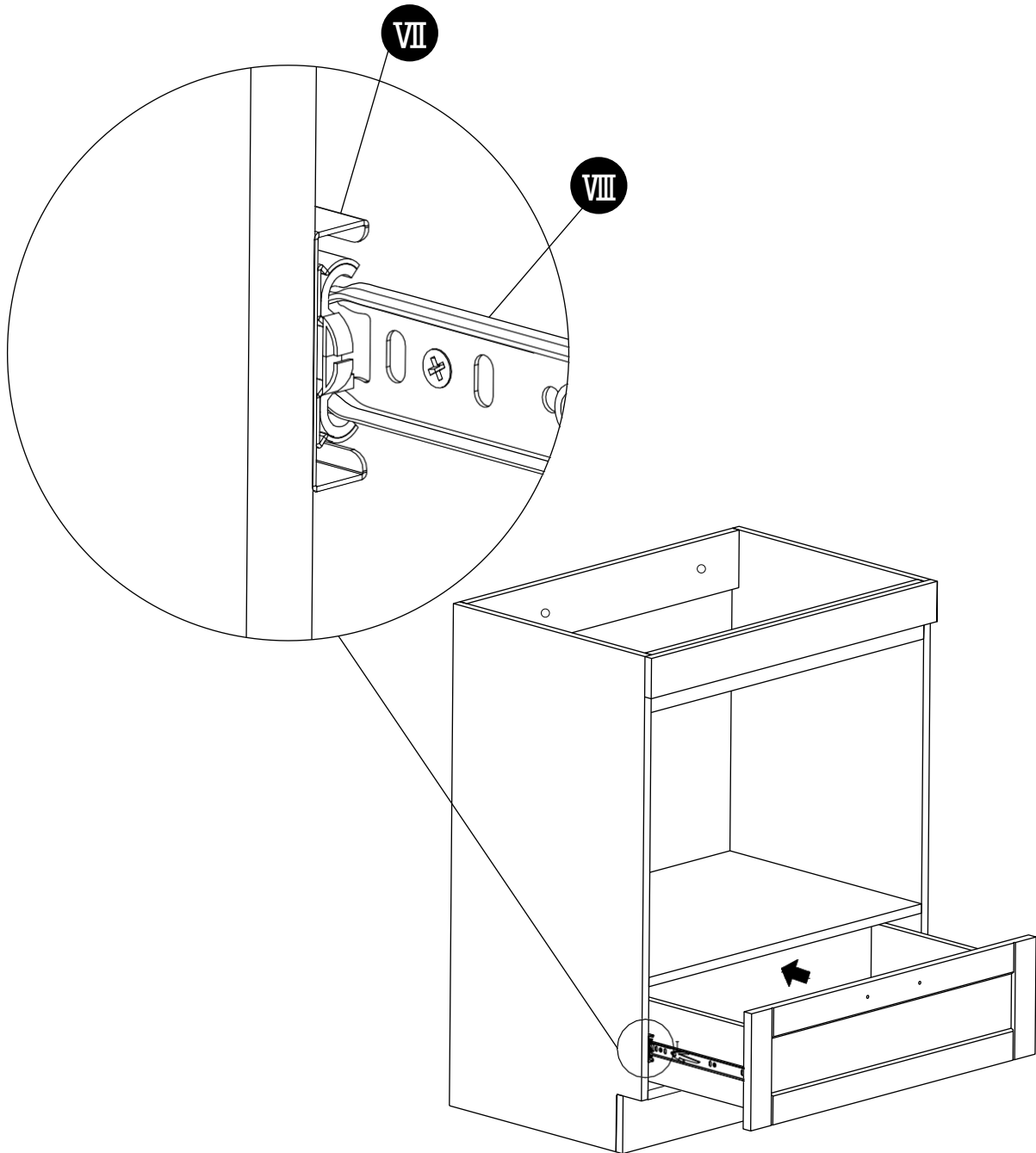
1. Insert Wood Dowels (III) into the holes of Drawer Front (L) and Drawer Back (M).
2. Attach Drawer Side Left (N) and Drawer Side Right (O) to Drawer Front (L) and Drawer Back (M).
3. Ensure Drawer Bottom (P) is in the slot of Drawer Side Left (N) and Drawer Side Right (O).
4. Attach Drawer Side Left (N) and Drawer Side Right (O) with Self-Tapping Screws (IV) M4 x 40.
5. Tighten with the Screwdriver.

Step 7



1. Attach the Slide Rails (VII) to the Drawer Side Left (N) and Drawer Side Right (O) using Self-Tapping Screw (IV) M4 x 14 into the small holes.

Step 8

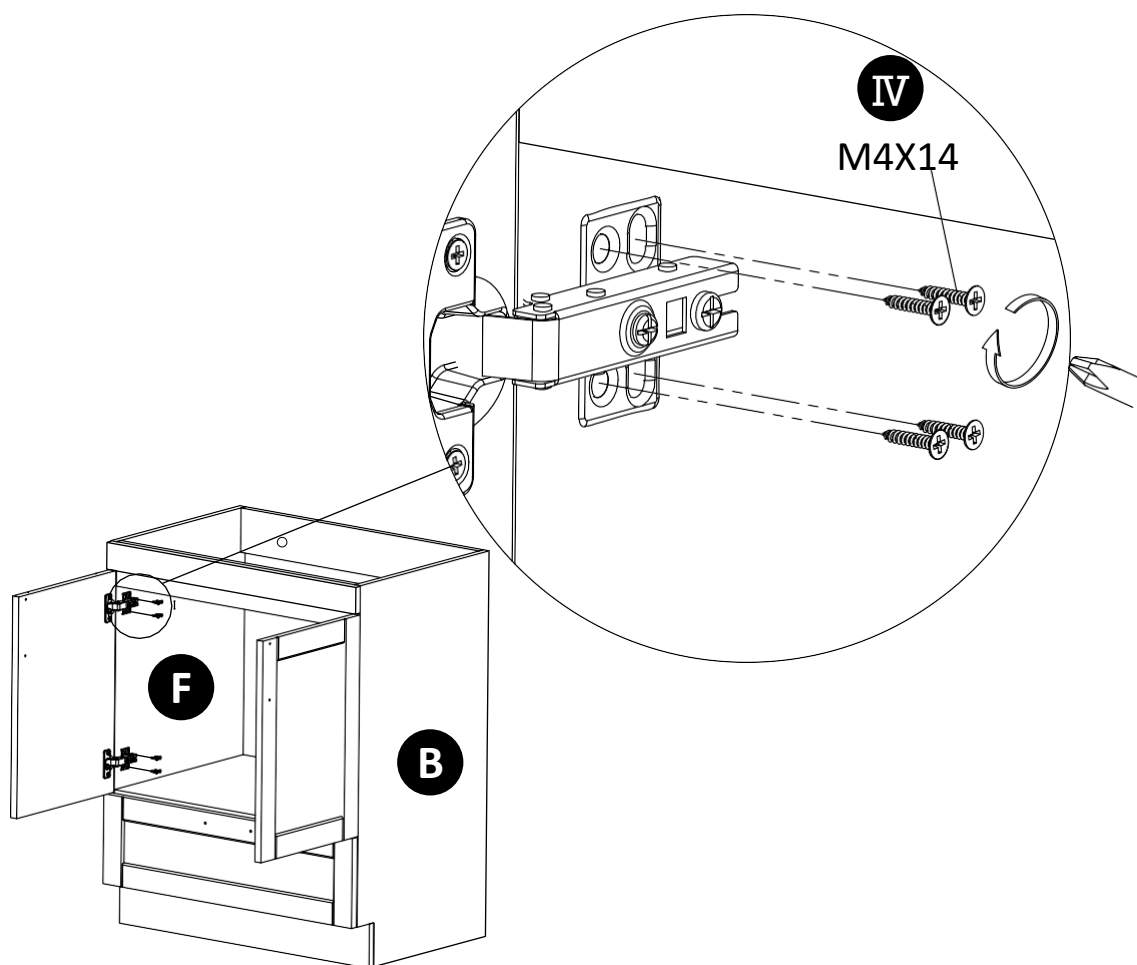


1. Place the Drawer into the cabinet.

Step 9



NOTE: THE SCREWDRIVER IS NOT INCLUDED IN THE HARDWARE PACK.

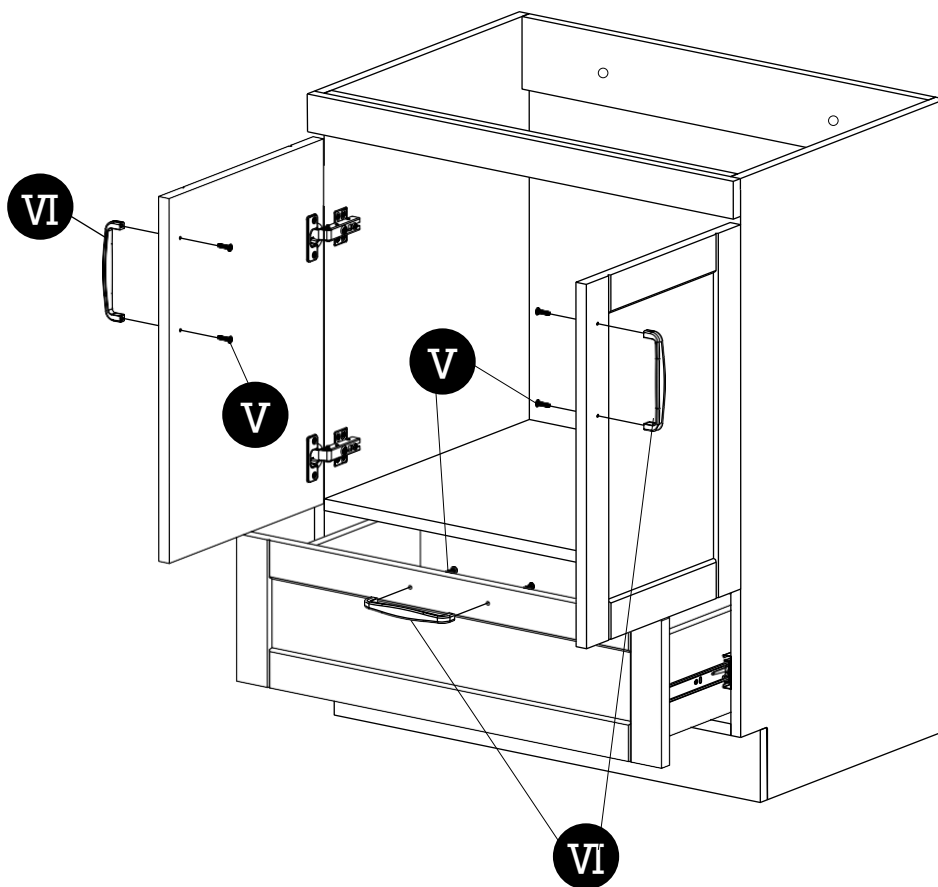


1. Use the Screwdriver to attach the right door hinges to Right Side Panel (B) with Self-Tapping Screws (IV) M4 x 14.
2. Use the Screwdriver to attach the left door hinges to Left Side Panel (F) with Self-Tapping Screws (IV) M4 x 14.

## Step 10



**NOTE: THE SCREWDRIVER IS NOT INCLUDED IN THE HARDWARE PACK.**

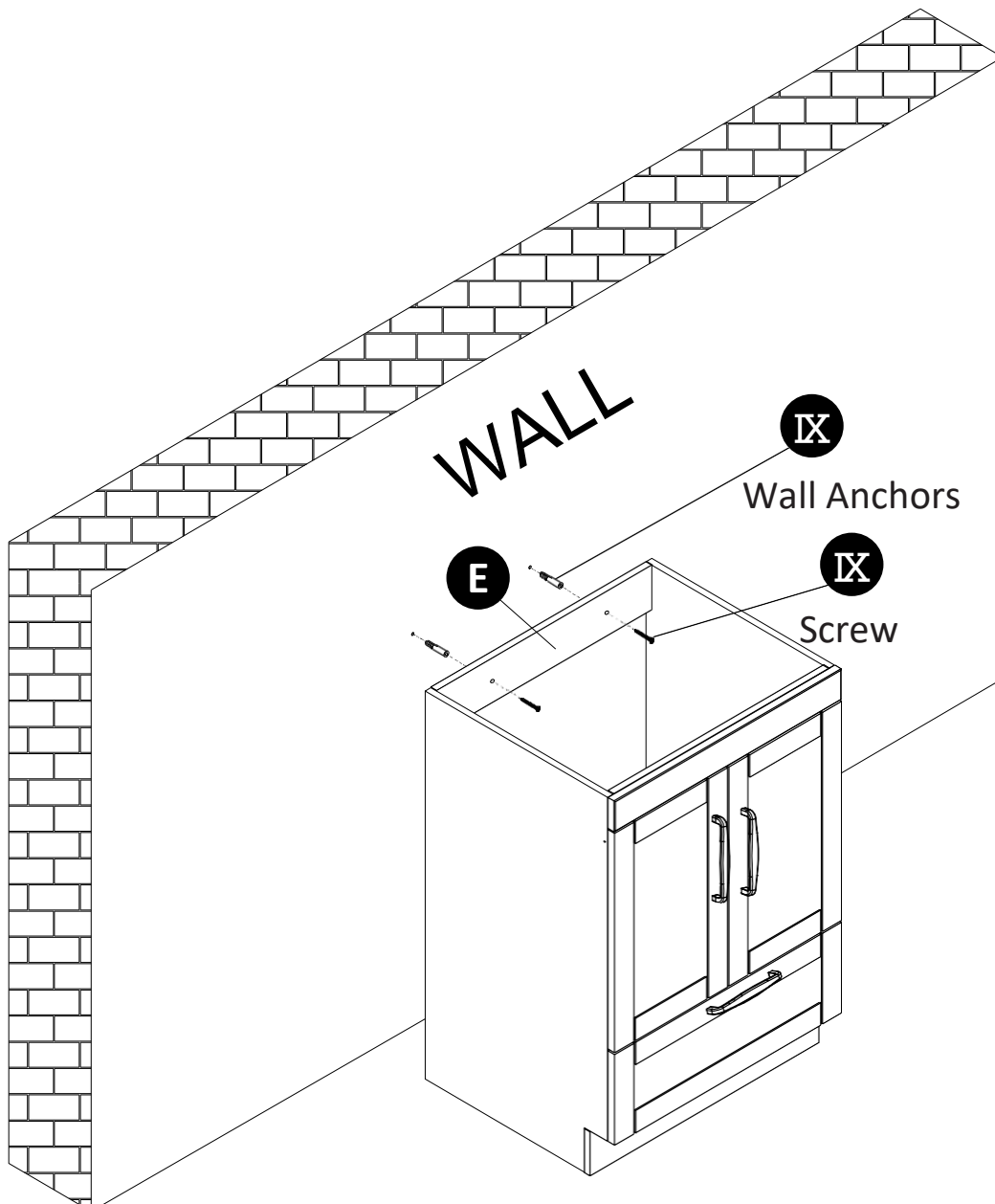


1. Use the Screwdriver to attach the Handle (VI) with Philips Screws (V) M4 x 23.

Step 11

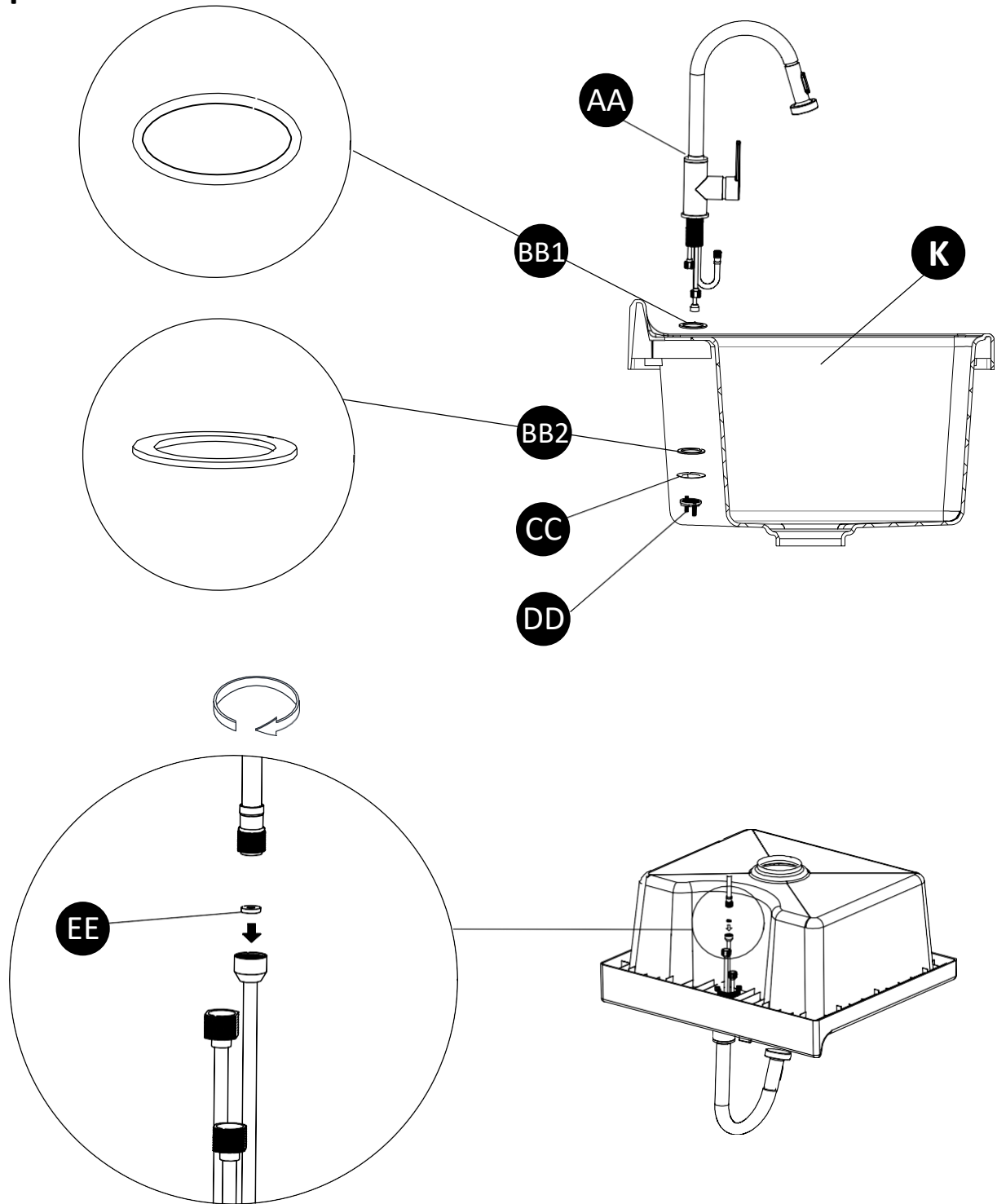


NOTE: THE SCREWDRIVER IS NOT INCLUDED IN THE HARDWARE PACK.



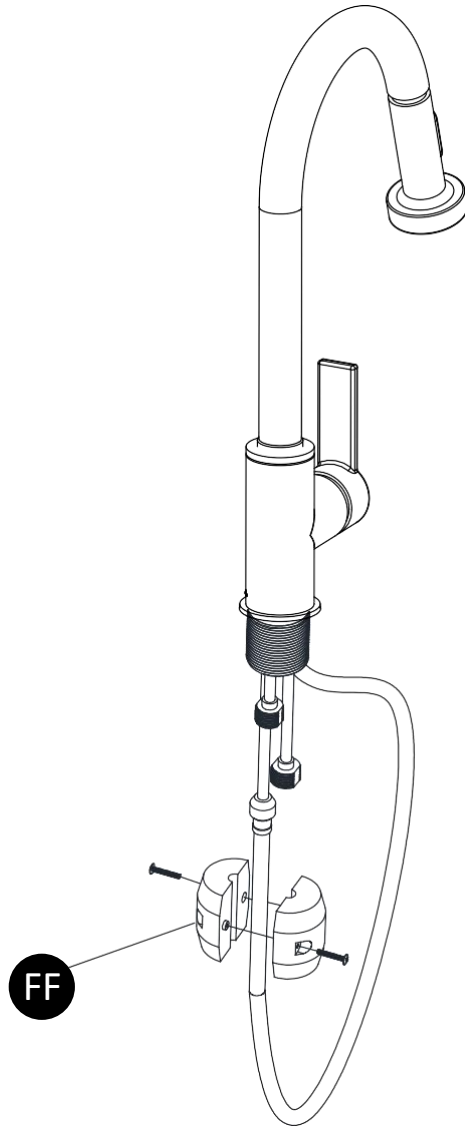
1. Pierce holes in the wall and insert Wall Anchors (IX) into the holes.
2. Insert the Screw (IX) through Panel (E) and then insert it into the Wall Anchor to lock in place.

Step 12



1. Place a Rubber Washer (BB) onto the end of the Faucet (AA) and insert the faucet through the top of the Sink (K).
2. From underneath the Sink (K), secure the Faucet (AA) to the Sink (K) using a Rubber Washer (BB), Steel Washer (CC) and Brass Nut Assembly (DD).
3. Insert Faucet Sealing Ring (EE) into the hole of pipe and screw hosepipe into.

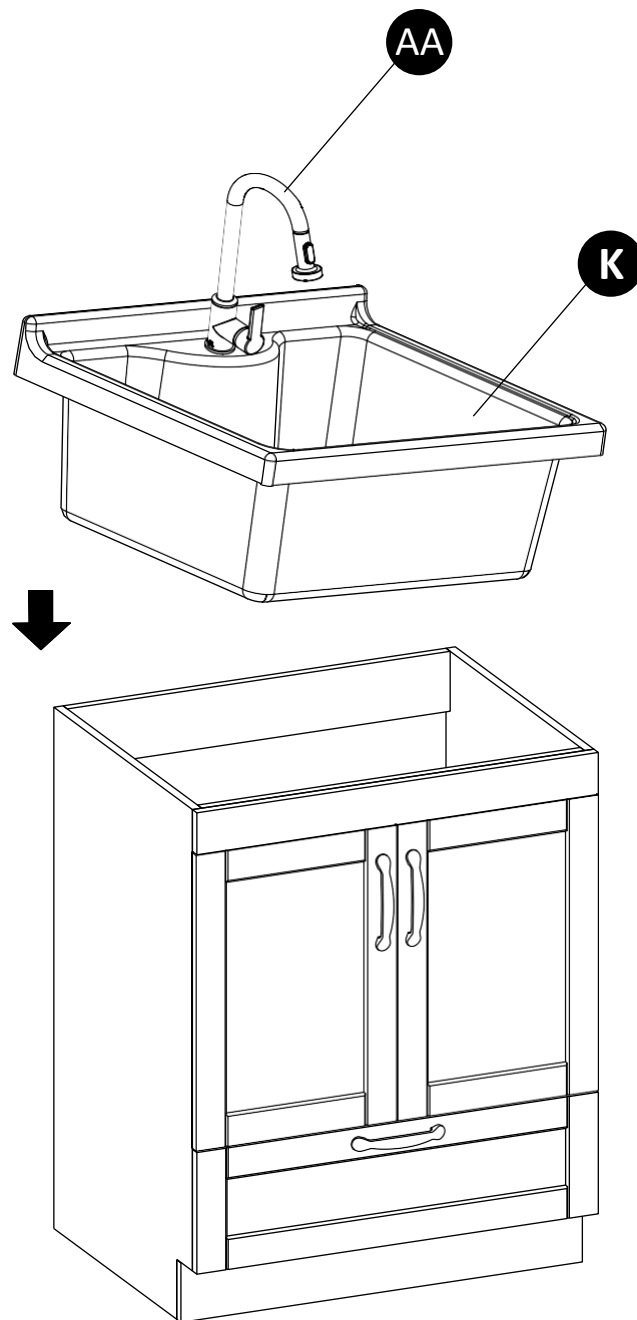
Step 13



1. Attach the Weight Block (FF) to the faucet hose and screw in place to secure.

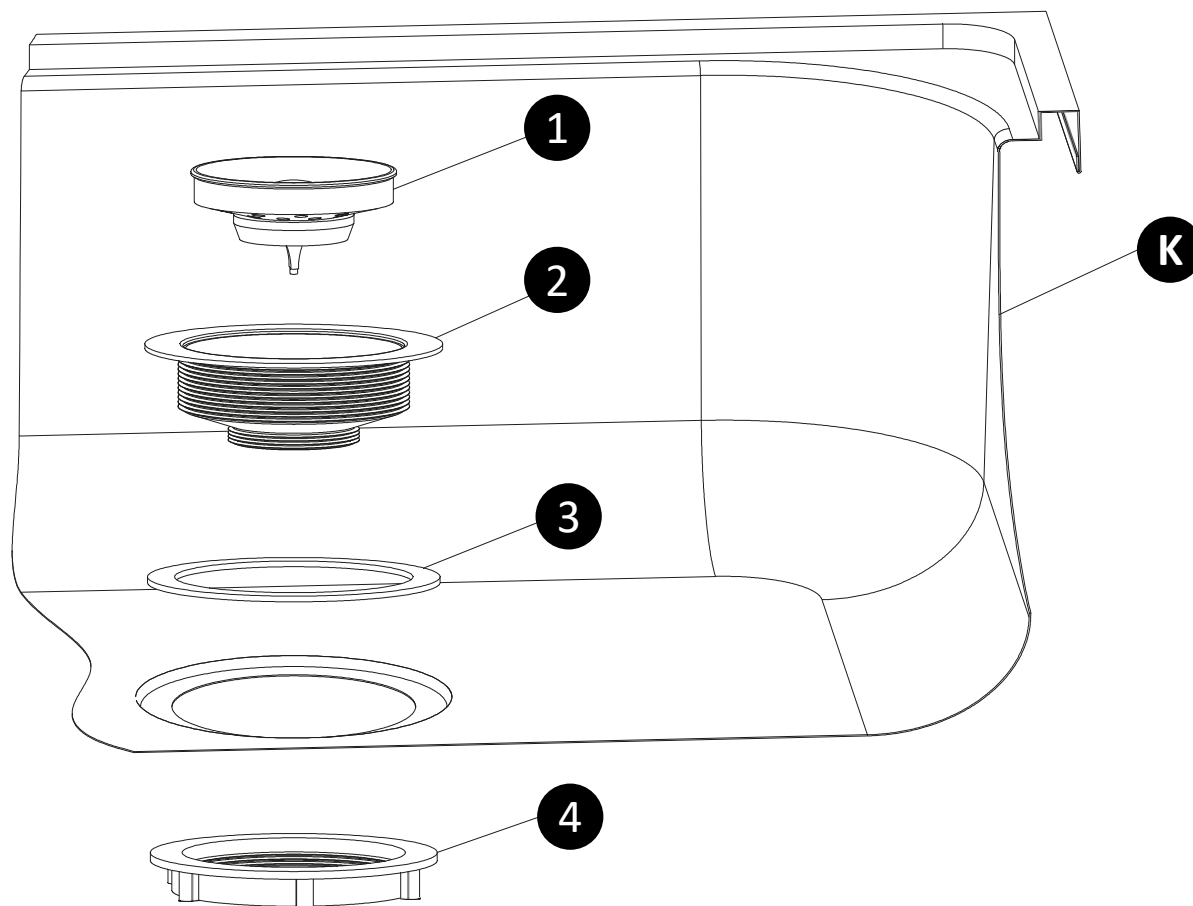


Step 14



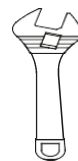
1. Place the Sink (K) with the attached Faucet Body (AA) on top of the cabinet.

Step 15

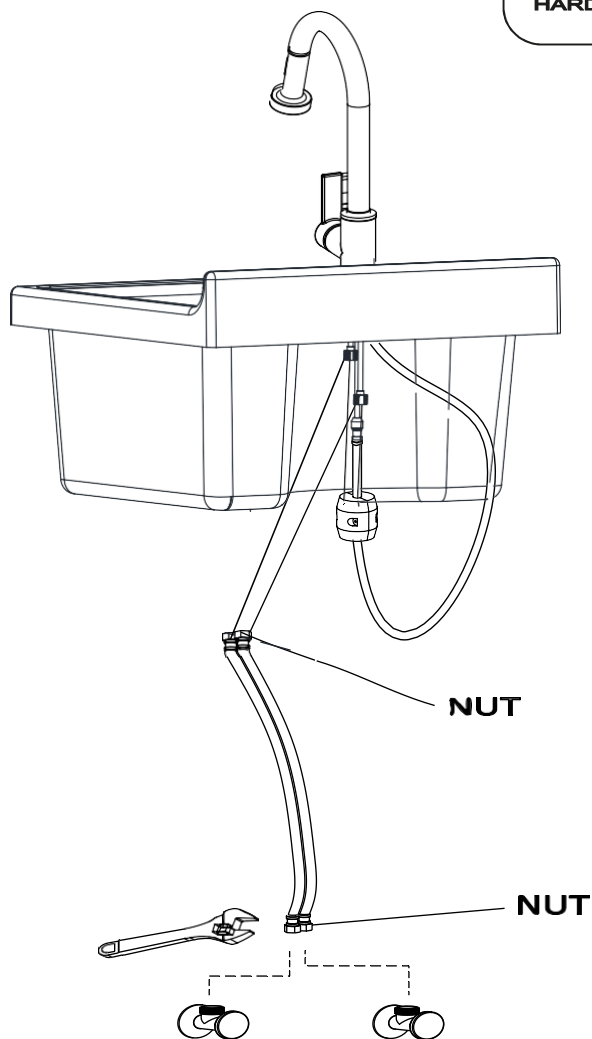


1. Put the Drain Washer (3) on the top of the drain opening in the Sink (K).
2. Put the Drain Bowl (2) on the Drain Washer (3) through the drain opening.
3. From underneath the sink fasten the Threaded Washer (4) onto the Drain Bowl Assembly (2) and tighten.
4. Insert the Drain Plug Assembly (1) into the Drain Bowl Assembly (2).

## Step 16

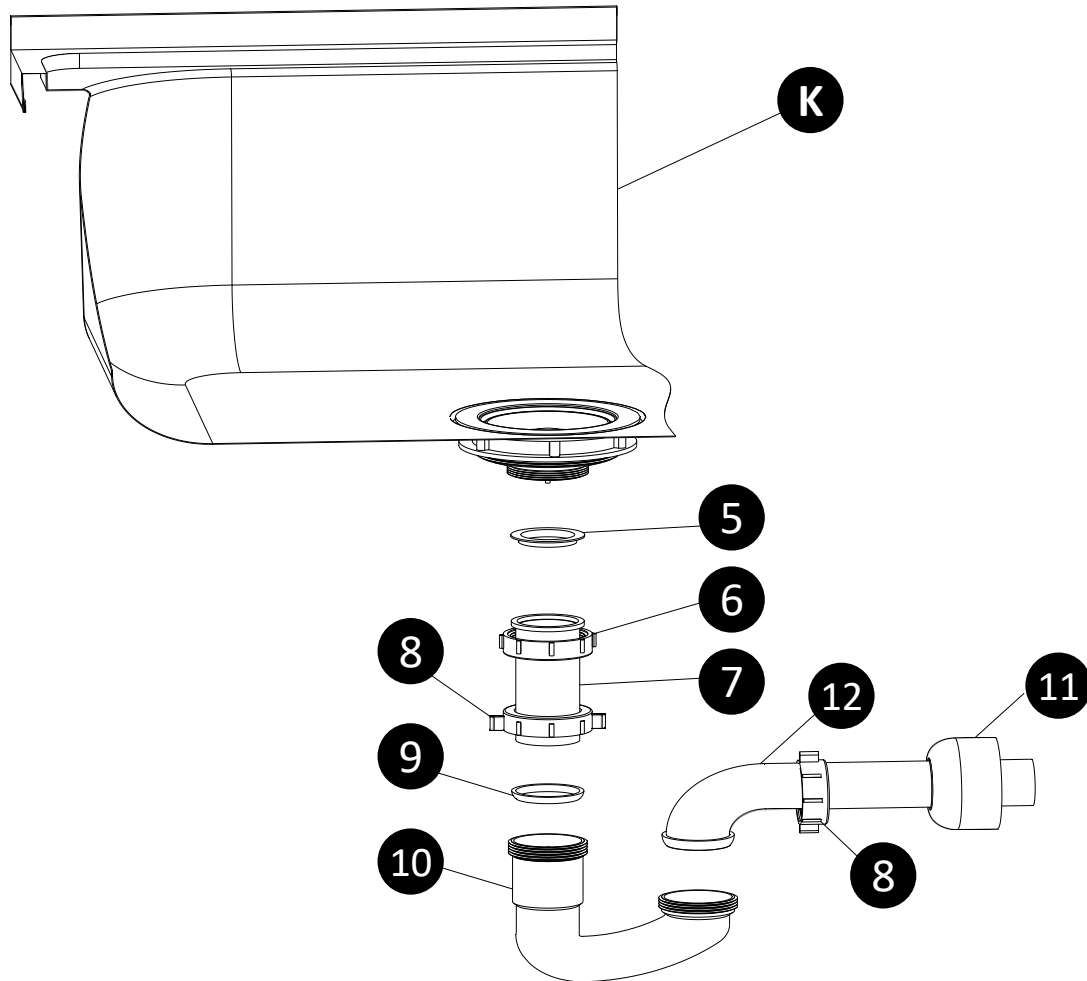


**NOTE: THE ADJUSTABLE WRENCH IS NOT INCLUDED IN THE HARDWARE PACK.**



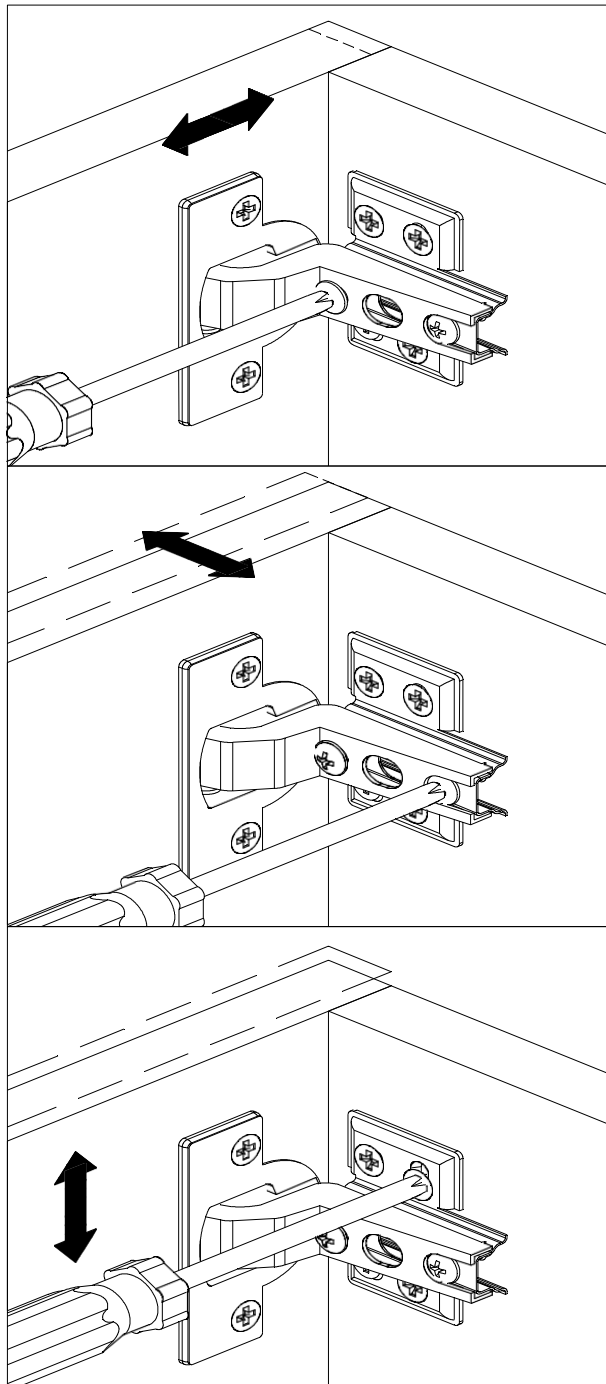
1. Fasten the nuts of the hoses (not included in package) to the nut ends of the faucet body.
2. Fasten the nuts of the hoses (not included in package) to the water outlet:
  - Red striped hose to Hot water supply
  - Blue striped hose to Cold water supply
3. Ensure to only tighten the nut and not twist the supply hose.
4. Leakage may occur if hoses are twisted.


Step 17



1. Put a Pipe Washer (5) onto the Straight Drain Pipe (7). Connect the Straight Drain Pipe (7) to the drain and fasten the Coupling (6).
2. Put the Coupling (8) into the Straight Drain Pipe (7) and put a Pipe Washer (9) into the Straight Drain Pipe (7).
3. Connect the Drain Channel (10) to the Straight Drain Pipe (7) and fasten with the Coupling (8).
4. On the Drain Channel (10), wrap teflon tape (not included) around the threaded end that connects to the Outer Drain Channel (12).
5. Connect the Outer Drain Channel (12) to the Drain Channel (10) and fasten with the Coupling (8).
6. Insert the Outer Drain Channel (12) into the Drain Channel (10) and cover with the Pipe Cover (11).

Step 18



  
**NOTE: THE SCREWDRIVER IS NOT INCLUDED IN THE HARDWARE PACK.**

1. Use the Screwdriver to re-align or adjust the hinges that attach the doors to the cabinet.