

CONTENTS

Safety - **2**
Tools needed - **3**
Parts - **3**
Accessories - **4**
Dimensions - **6**
Recess Mounting - **7**
Final Assembly - **12**
Use and Maintenance - **14**
Warranty - **14**

[Scan the QR code to see the entire M2 Series of cabinets.](#)



Use the camera app on your mobile device to look at this and other QR codes. This will allow you to quickly access web pages and other relevant documents.

GENERAL INFORMATION

This instruction manual contains information on how to recess mount the M Series Reserve cabinet. This series comes in many sizes. Refer to the specific model numbers for dimensions. These cabinets are modular and can be mounted with lighting.

Read the specific instruction for how your cabinet(s) will be mounted. The cabinets can be surface mounted or recess mounted.

Save these instructions for future use and reference. An improper installation voids the warranty. Installed cabinets cannot be returned.

If you experience any problems with your cabinet, contact your dealer or Robern directly.

Limited Warranty — One Year Term

SAFETY

IMPORTANT SAFETY INSTRUCTIONS

Installation shall be performed by a qualified licensed electrician.

DANGER: Read all instructions before using this cabinet.

CAUTION MAX SHELF LOAD 34 lbs.

WARNING: Risk of Electric Shock, Fire, and Injury, review the assembly instructions to confirm that the appropriate critical components and accessories are being used with the cabinet.

GROUNDING INSTRUCTIONS

This product must be connected to a grounded metal, permanent wiring system, or an equipment-grounding conductor must be run with the circuit conductors and connected to the equipment-grounding terminal or lead on the product.

WARNING: Electrical option cabinet must be wired to a Class A 20 Amp GFCI (Ground Fault Circuit Interrupter) protected circuit when used in bathrooms and all other locations required by the National Electric Code.

DANGER: To reduce the risk of electric shock, always shut off power before cleaning or servicing.

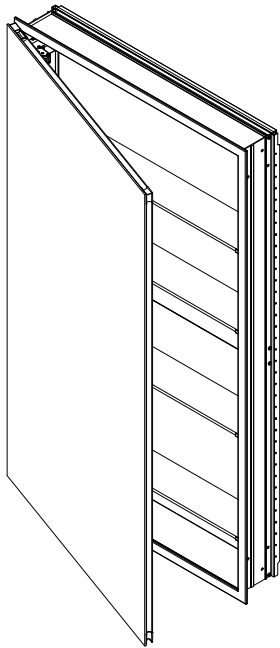
WARNING: Mount the cabinet at the correct height.

SAVE THESE INSTRUCTIONS

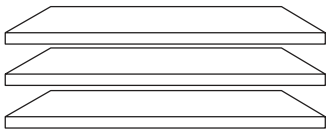
TOOLS NEEDED



PARTS



(1) M Series Reserve Cabinet



(3-4) Glass Shelves
Two door and 72" cabinets
(6-8) Glass Shelves

[216-1243] D4 Hardware Bag
30" tall cabinets

[211-1376] (3) Shelf Clips [211-1377] (3) Shelf Clips

[SS674] (6) #10 x 2" Screws [203-1624] (2) Hinge Clip

[SS134] (10) Hole Plugs [SS672] (6) Screw Caps

Depending on installation, not all parts will be used.

[216-1247] D6 Hardware Bag
30" tall cabinets

[211-1305] (6) Shelf Clips

[SS674] (6) #10 x 2" Screws [203-1624] (2) Hinge Clip

[SS134] (10) Hole Plugs [SS672] (6) Screw Caps

Depending on installation, not all parts will be used.

[216-1244] D4 Hardware Bag
36" and taller cabinets

[211-1376] (4) Shelf Clips [211-1377] (4) Shelf Clips

[SS674] (6) #10 x 2" Screws [203-1624] (3) Hinge Clip

[SS134] (10) Hole Plugs [SS672] (6) Screw Caps

Depending on installation, not all parts will be used.

[216-1248] D6 Hardware Bag
36" and taller cabinets

[211-1305] (8) Shelf Clips

[SS674] (6) #10 x 2" Screws [203-1624] (3) Hinge Clip

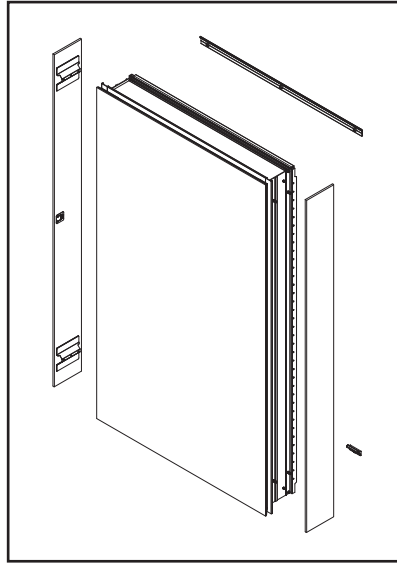
[SS134] (10) Hole Plugs [SS672] (6) Screw Caps

Depending on installation, not all parts will be used.

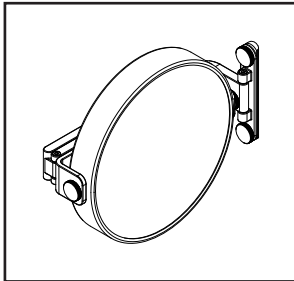
NOTE: Two door and 72" tall cabinets will receive two (2) of the cabinet specific hardware bags above.

ACCESSORIES

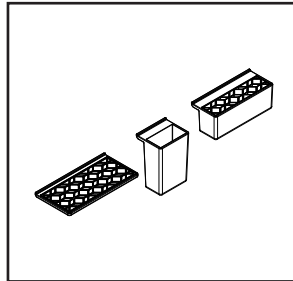
Surface Mount Kit
 P2SMKITXXDZP
 XX (Height available): 30, 36, 40, 48, 72
 Z (Depth available): 4, 6



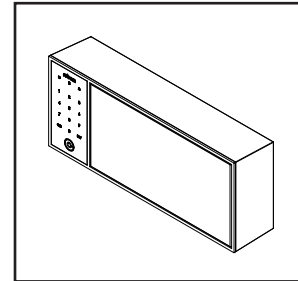
Mag Mirror
 VT-SPOMM
 included w/
 E2 cabinets



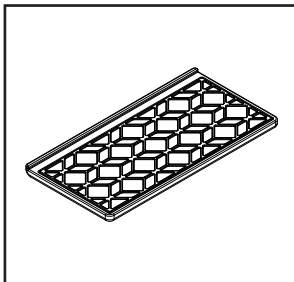
Organization Kit
 HT-ORGKIT
 included w/
 E2 cabinets



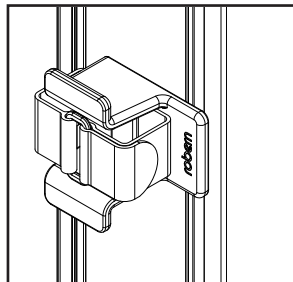
IQ Digital Lock Box
 DLB-XXX



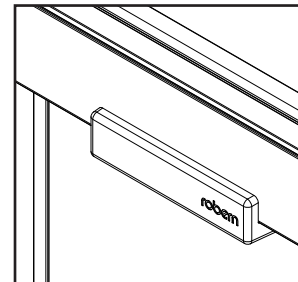
Storage Tray
 HT-STORAGETRAY
 included w/ E0 cabinets



Wire Organizer
 VT-WIREORG
 included w/
 E2 cabinets



Magnetic Strip
 HT-MAGORG
 included w/
 all cabinets

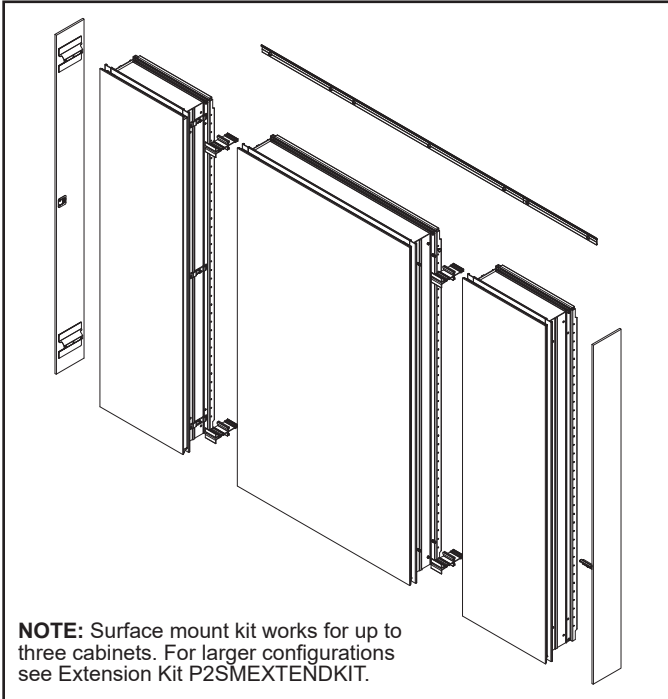


ACCESSORIES

Ganging-Surface Mount Kit P2SM GKITXXDZP

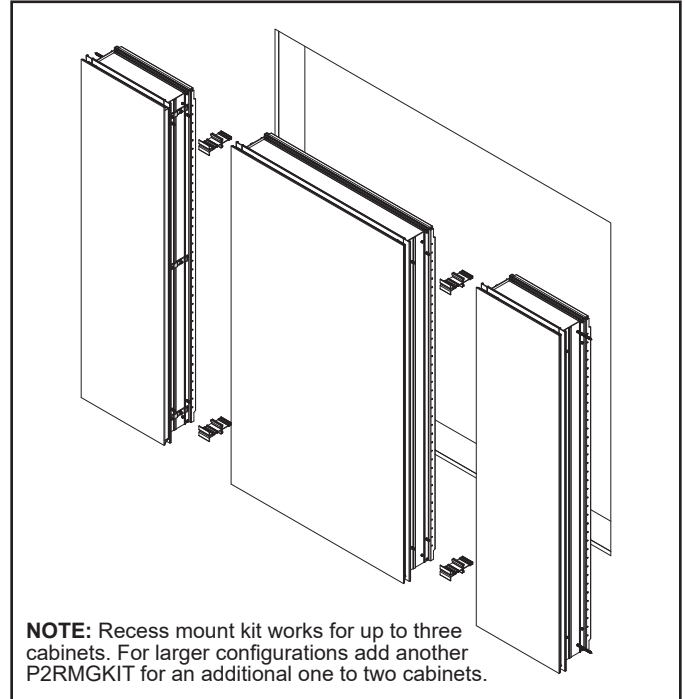
XX (Height available): 30, 36, 40, 48, 72

Z (Depth Available): 4, 6



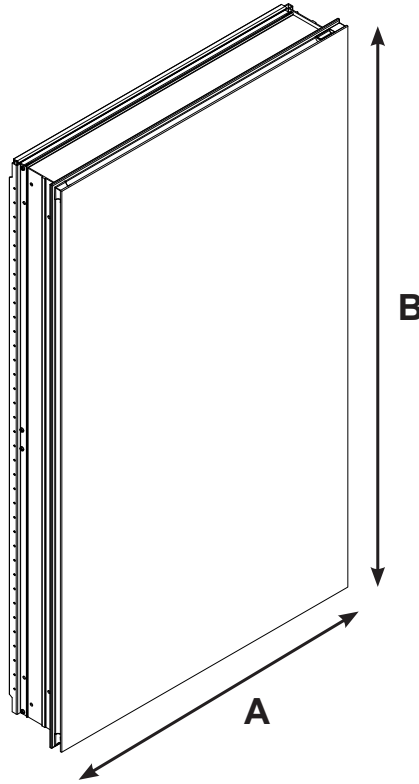
Ganging-Recess Mount Kit

P2RMGKIT



DIMENSIONS

Determine overall cabinet dimensions. If recessing cabinet, determine rough-in dimensions. See chart for specific model dimensions.



Rough Opening (RO) for recessed installation in chart below.

Number in the column headings below reference the cabinet dimensions from the model number, width and height (WWHH).

	1630	1636	1640	1648	1672	2030	2036	2040	2048	2072	2430	2436	2440	2448	2472
A	15-1/4" (388 mm)	15-1/4" (388 mm)	15-1/4" (388 mm)	15-1/4" (388 mm)	15-1/4" (388 mm)	19-1/4" (489 mm)	19-1/4" (489 mm)	19-1/4" (489 mm)	19-1/4" (489 mm)	19-1/4" (489 mm)	23-1/4" (591 mm)	23-1/4" (591 mm)	23-1/4" (591 mm)	23-1/4" (591 mm)	23-1/4" (591 mm)
B	30" (762 mm)	36" (915 mm)	39-3/8" (1001 mm)	48" (1219 mm)	72" (1829 mm)	30" (762 mm)	36" (915 mm)	39-3/8" (1001 mm)	48" (1219 mm)	72" (1829 mm)	30" (762 mm)	36" (915 mm)	39-3/8" (1001 mm)	48" (1219 mm)	72" (1829 mm)
RO (A)	14-1/2" (369 mm)	14-1/2" (369 mm)	14-1/2" (369 mm)	14-1/2" (369 mm)	14-1/2" (369 mm)	18-1/2" (470 mm)	18-1/2" (470 mm)	18-1/2" (470 mm)	18-1/2" (470 mm)	18-1/2" (470 mm)	22-1/2" (572 mm)	22-1/2" (572 mm)	22-1/2" (572 mm)	22-1/2" (572 mm)	22-1/2" (572 mm)
RO (B)	29-1/4" (743 mm)	35-1/4" (896 mm)	38-5/8" (982 mm)	47-1/4" (1201 mm)	71-1/4" (1810 mm)	29-1/4" (743 mm)	35-1/4" (896 mm)	38-5/8" (982 mm)	47-1/4" (1201 mm)	71-1/4" (1810 mm)	29-1/4" (743 mm)	35-1/4" (896 mm)	38-5/8" (982 mm)	47-1/4" (1201 mm)	71-1/4" (1810 mm)

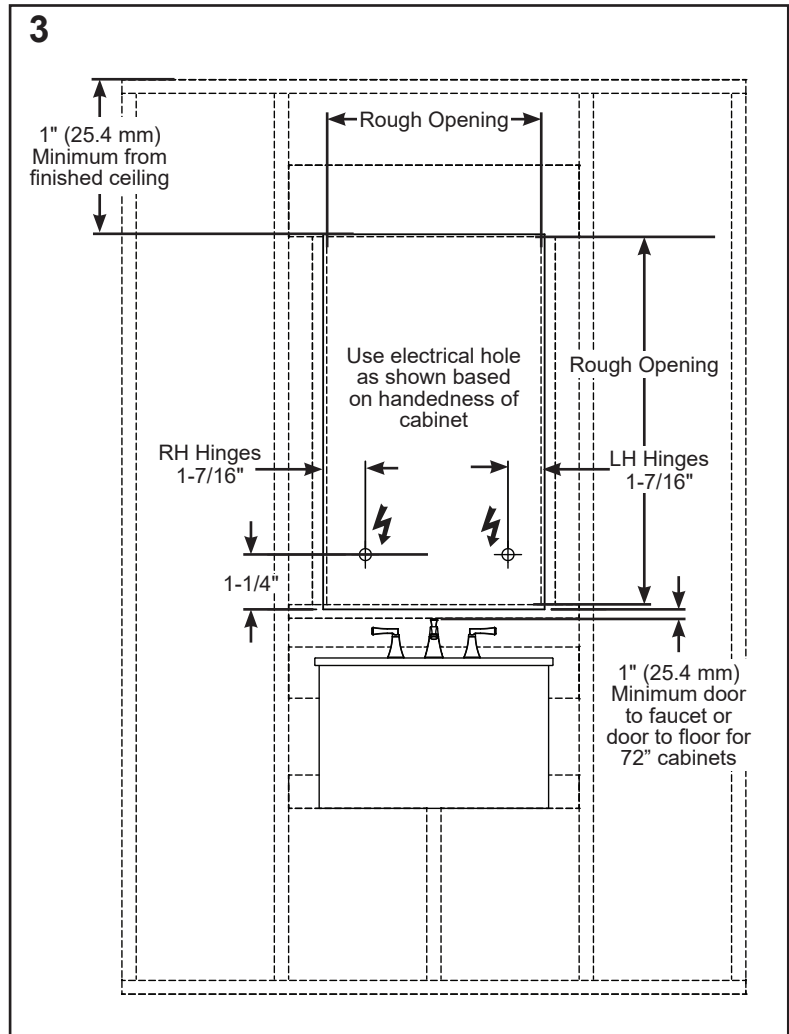
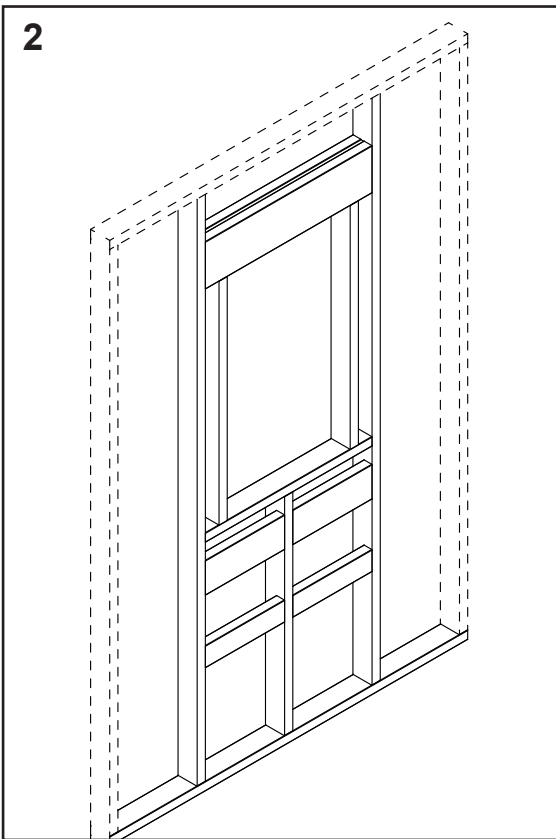
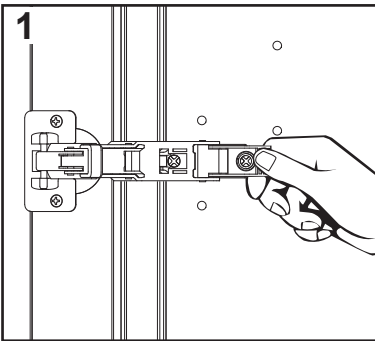
	3030	3036	3040	3048
A	29-1/4" (743 mm)	29-1/4" (743 mm)	29-1/4" (743 mm)	29-1/4" (743 mm)
B	30" (762 mm)	36" (915 mm)	39-3/8" (1001 mm)	48" (1219 mm)
RO (A)	28-1/2" (724 mm)	28-1/2" (724 mm)	28-1/2" (724 mm)	28-1/2" (724 mm)
RO (B)	29-1/4" (743 mm)	35-1/4" (896 mm)	38-5/8" (982 mm)	47-1/4" (1201 mm)

RECESS MOUNTING

These instructions are for recess mounting your cabinet. Make rough opening and frame on all sides. Find the specific model dimensions to make rough opening (page 5).

NOTES: The cardboard sleeve attached to the door protects the edges and corners of the door during installation. Ensure that the cabinet is mounted so that the door has at least 1" (25mm) clearance from the top of the faucet and at least 1" (25mm) clearance from the ceiling.

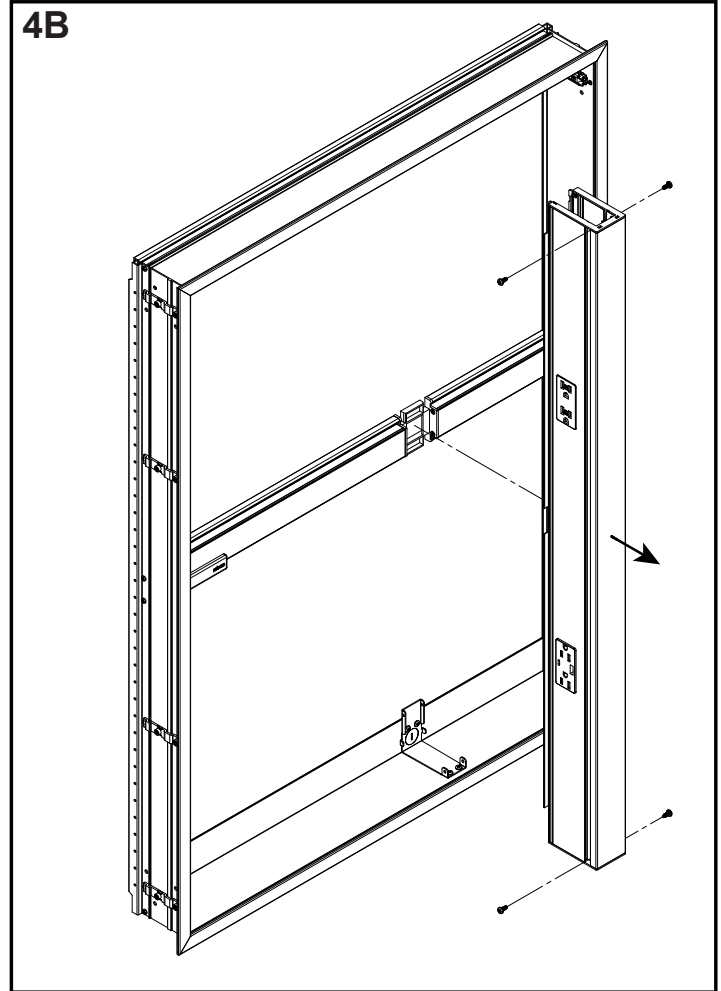
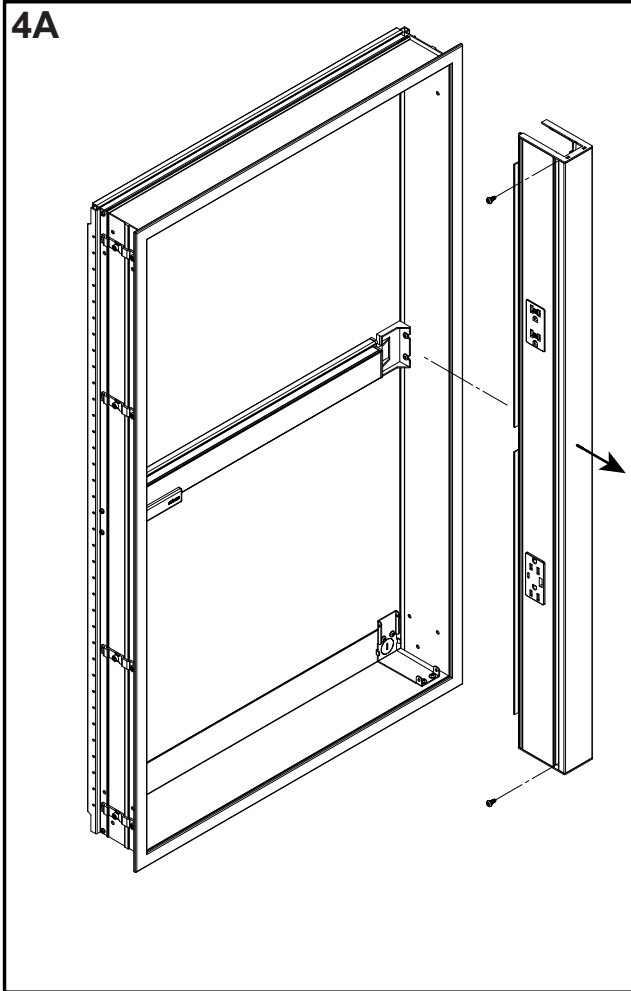
1. Before beginning installation remove and set the door aside in a safe place. Remove door from cabinet by unclipping the hinges from the mounting plates.
2. Electrical Option Cabinets: Provide a separate electrical connection for electrical options and lighting. Pull electric wire through the hole. Be sure to provide enough wire to make proper and safe connections to the cabinet.



RECESS MOUNTING

4. For cabinets with electrical, remove and place aside the two screws [203-1614] securing the column to the cabinet. For 30" wide cabinets there are four screws securing the column.

5. Disconnect wiring connectors between column and cabinet for ease of cabinet install, or pull column out of cabinet being mindful of wires and place inside cabinet away from mounting brackets.

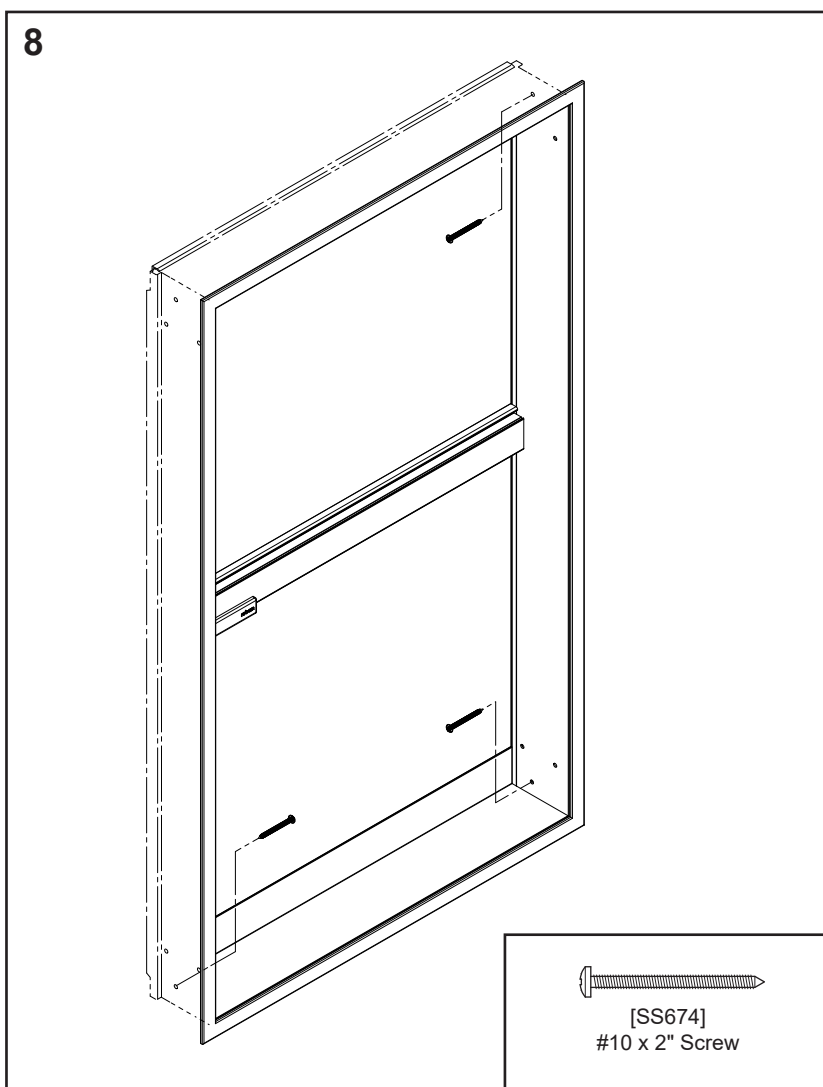
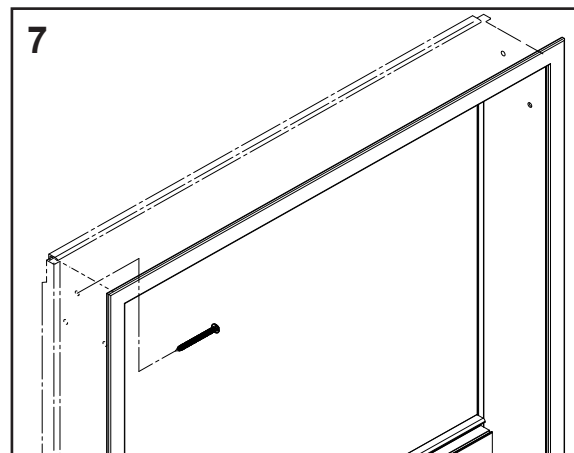
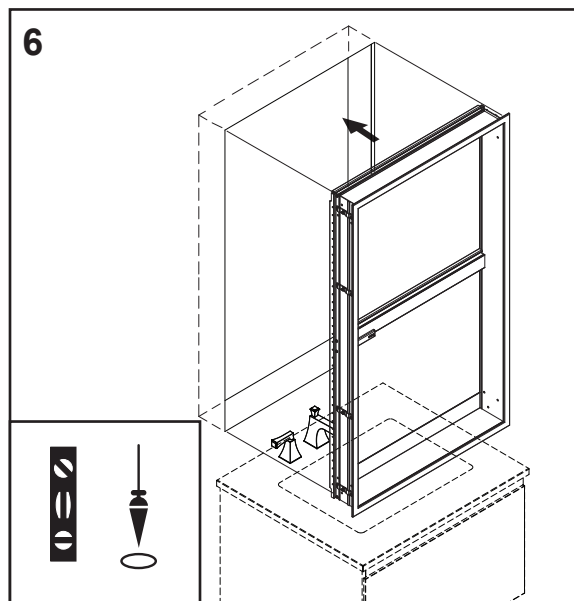


RECESS MOUNTING

6. Place cabinet in rough-in and make sure cabinet is installed square, plumb, and level.

7. Install a #10 X 2" screw [SS674] through top mounting hole in cabinet side and screw into wall stud as shown. Do not over-tighten screws or cabinet box may deform.

8. Once cabinet is installed square, plumb, and level, install #10 X 2" screws into wall studs through the three (or 7 for 72" tall cabinets) remaining mounting holes. Do not over tighten screws.



robern

© 2022 Robern, Inc. 701 N. Wilson Ave. Bristol, PA 19007 U.S.A.
800.877.2376 www.robern.com

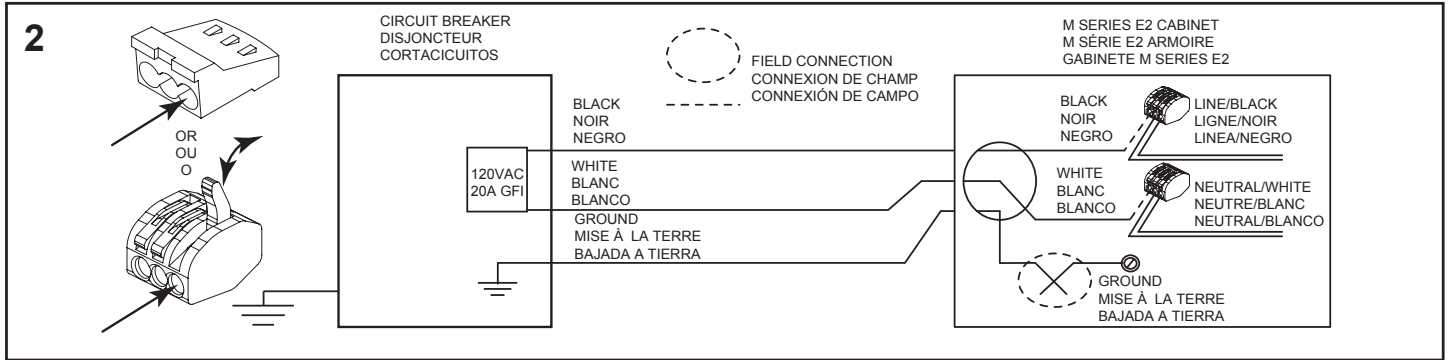
Installation instructions

ELECTRIC OPTION

1. For non electric cabinets, proceed to Final Assembly on page 12.
2. Make field connections as per wiring diagram for the electrical option being installed.

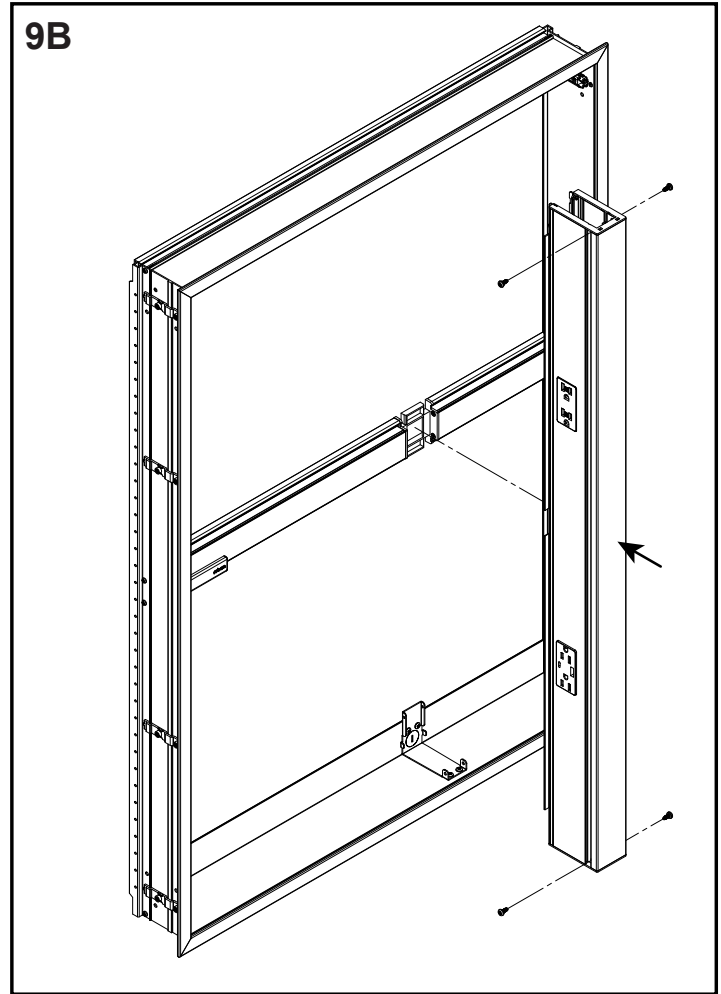
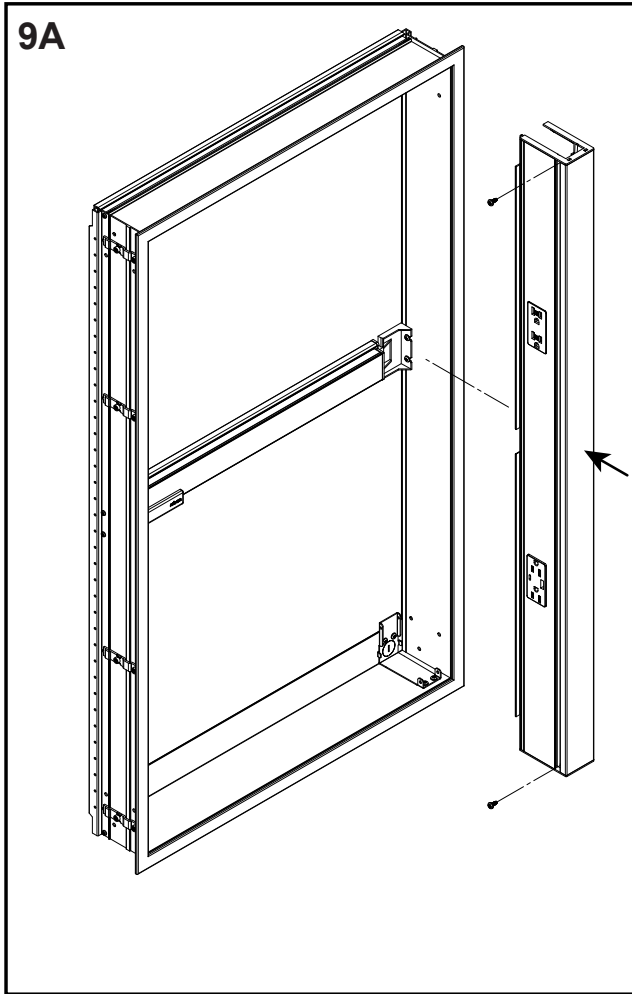
NOTE: E2 cabinets are non-handed, field wire harness (within the column) can be rotated to allow wiring install at bottom of cabinet.

WARNING: An Electrical option cabinet must be wired to a Class A 20 Amp GFCI (Ground Fault Circuit Interrupter) protected circuit when used in bathrooms and all other locations required by the National Electric Code



RECESS MOUNTING

9. Reinstall column using the two or four screws [203-1614] removed earlier.

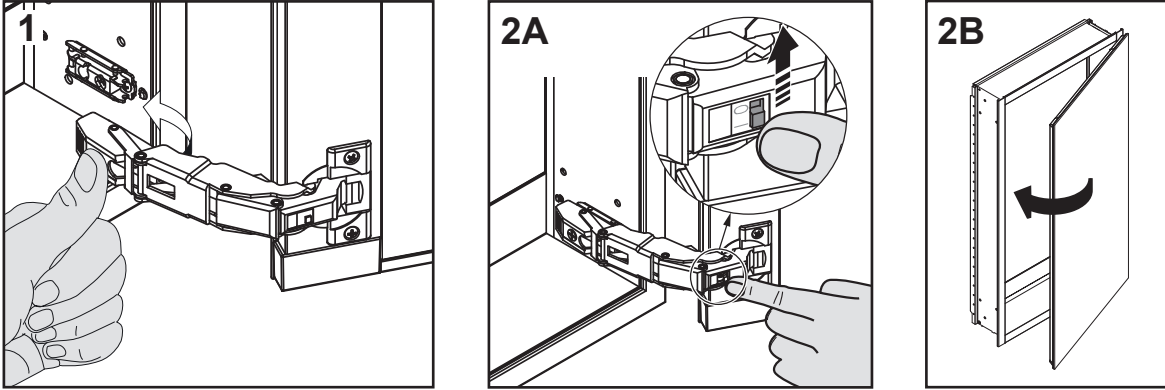


FINAL ASSEMBLY

1. Align door and reattach hinges to mounting plates until audible click is heard. Ensure all hinges are fully seated before attempting to adjust door.

2A. For small or light doors, the slow close feature can be deactivated on one of the hinges.

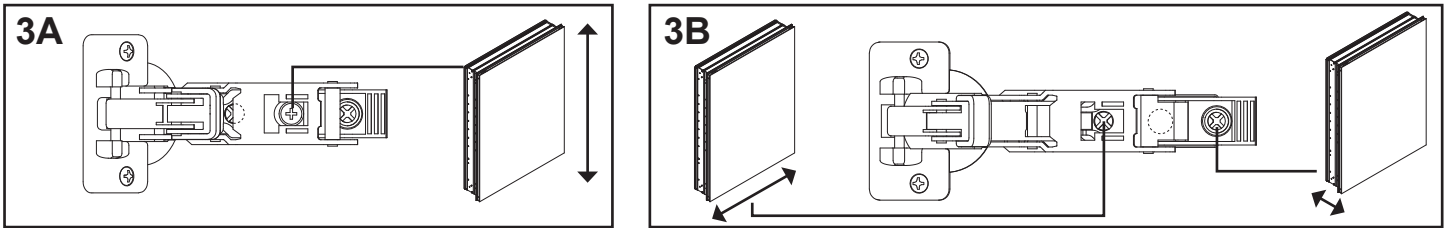
2B. Door must be closed once for the deactivation to be complete. To reactivate, move switch back to original position.



NOTE: The door hinges have a three-way adjustment feature. These adjustments can be made using a #2 Phillips Head screwdriver.

3A. With the hinge slightly closed, you can access the middle screw. This screw will move your door front up and down to increase or decrease door overlay.

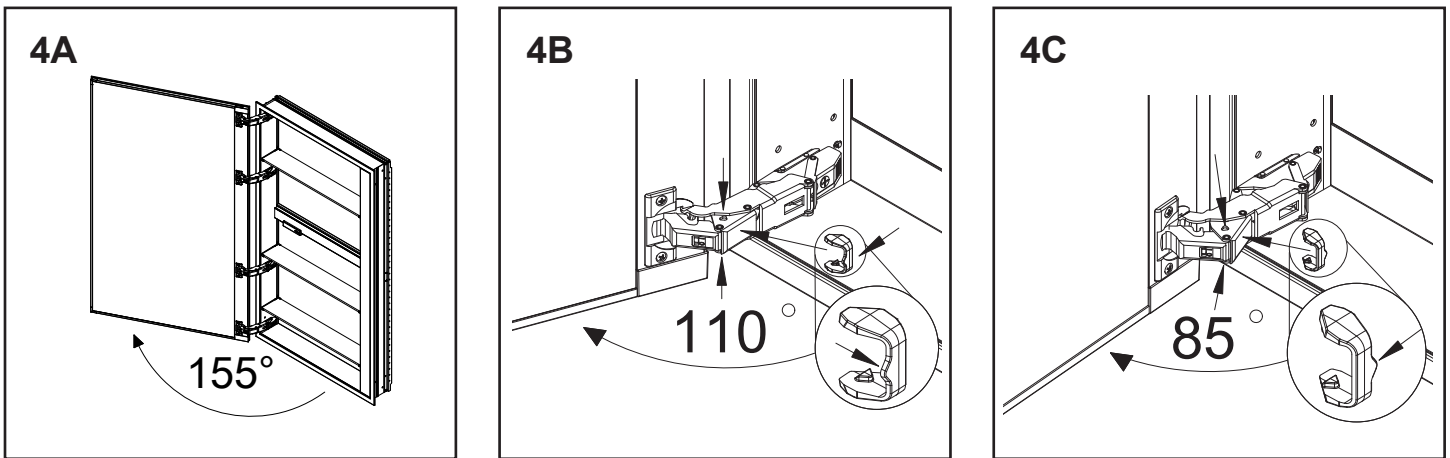
3B. With the hinge fully extended, you can access the front and back screws. These screws will move your door front from side to side and in and out. Rotate cam screw on mounting plate to adjust door.



4A. The door will swing open 155°.

4B. To limit the door to 110° install hinge clip 203-1624 as shown with point facing away from cabinet.

4C. To limit the door to 85° install hinge clip 203-1624 as shown with point facing towards cabinet.



robern

© 2022 Robern, Inc. 701 N. Wilson Ave. Bristol, PA 19007 U.S.A.
800.877.2376 www.robern.com

Installation instructions

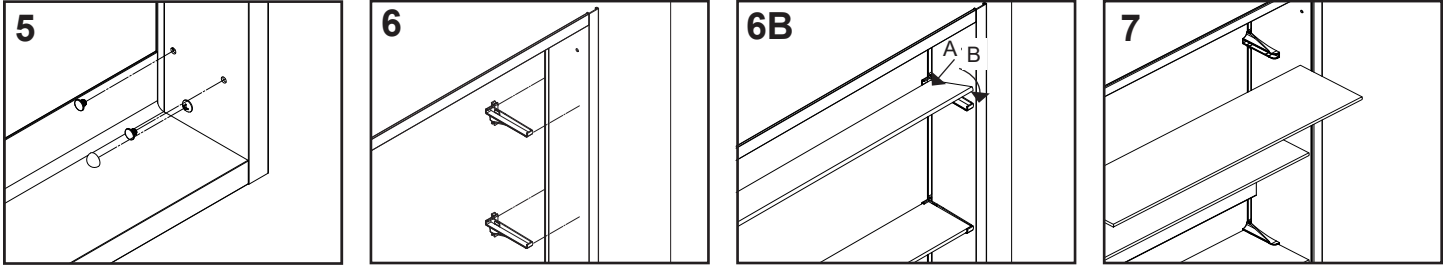
FINAL ASSEMBLY

5. Press the Shelf Hole Plugs [SS143] into the unused holes inside the cabinet. Place the Screw Head Caps [SS672] over any exposed screw heads.

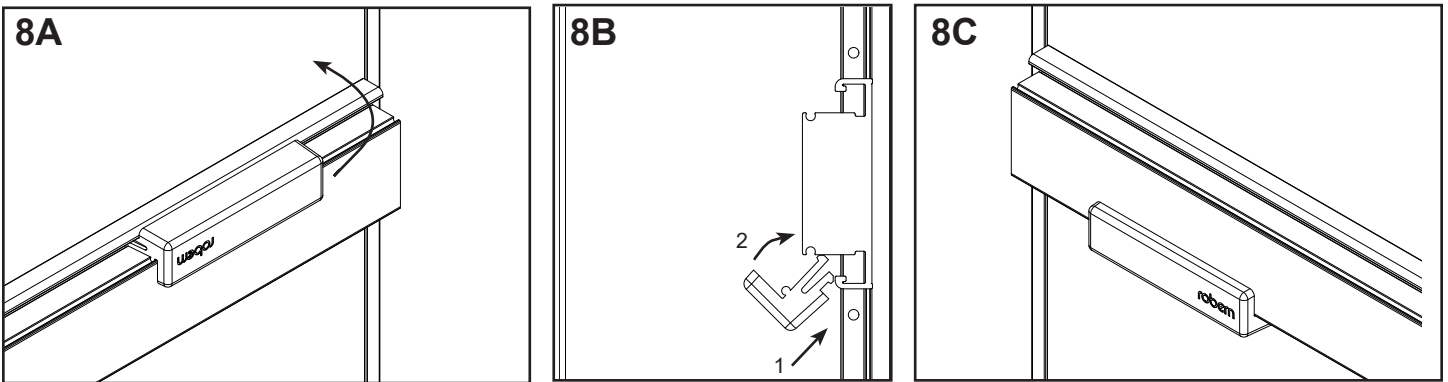
6. For D4 cabinets, insert clear Shelf Clips [211-1376] and [211-1377] into the holes in the back channel on the sides of the cabinet.

6B. Push the back of the shelf into both the left and right clips (A). Snap the shelf down into the clips (B).

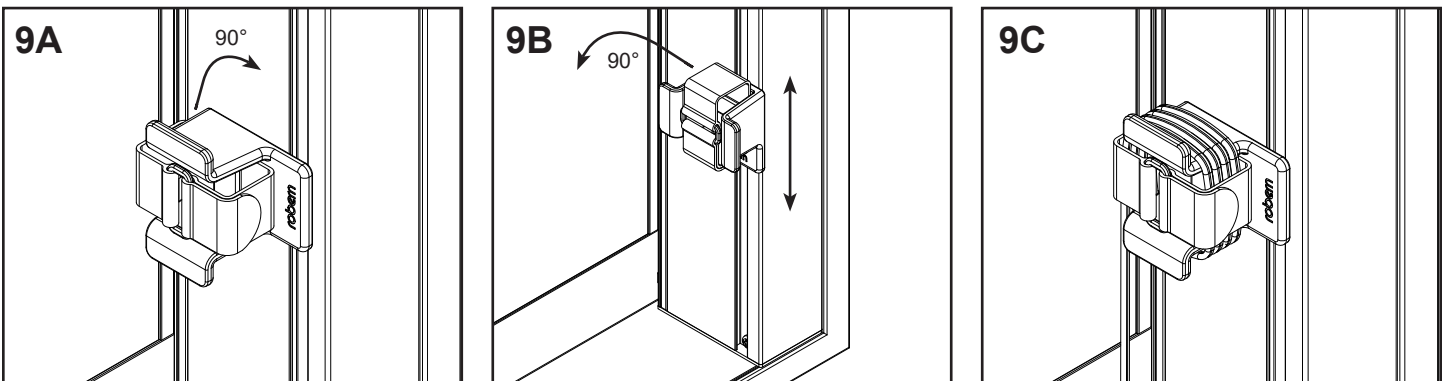
7. For D6 cabinets, insert clear shelf clip [211-1305] into the holes in the back channel on the sides of the cabinet. Push shelf straight into shelf clips.



8. Cabinet is supplied with magnet installed in accessory rail. If magnet needs to be repositioned horizontally, lightly pull on the magnet while sliding side to side. If cabinet is installed as such where magnet is upside down (on top of rail) as shown in Figure 8A, pull up on magnet to unhook it from the rail. Reinstall by positioning as shown in Figure 8B, push and rotate magnet into accessory rail until the back of the magnet is flush with the rail.



9. Cabinet with electric are supplied with a wire management accessory, installed in the vertical track. To adjust position, rotate the accessory 90 degrees as shown in Figure 9A, slide vertically as shown in Figure 9B to where needed, then rotate 90 degrees to lock it in position. When in position, use the included wire strap to secure wrapped wires as shown in Figure 9C.



USE AND MAINTENANCE

CAUTION: Maximum shelf load 34 LBS

The cabinet door and interior are constructed of mirrored glass and aluminum. Use only a damp cloth to clean. Ammonia or vinegar-based cleaners can damage mirrors.

A 50/50 solution of water and isopropyl alcohol is recommended for cleaning the mirrors. A mild detergent may be used on the surfaces.

When cleaning, spray the cloth, not the cabinet, mirror, or surround surfaces. Do not use abrasive cleansers on any part of the light fixture.

NOTE: Do not store items in the cabinet area directly behind the hinge as damage may occur to cabinet or items.

No Ammonia
No Vinegar



WARRANTY

Limited Warranty One Year Term

ROBERN warrants to the original purchaser that, it will, at its election repair, replace, or make appropriate adjustment to products made by this company shown to have significant defects in material or workmanship which are reported to ROBERN in writing within one (1) year from the date of delivery. ROBERN is not responsible for installation costs. The warranty is void in the event the product is damaged in transit, or if damage or failure is caused by abuse, misuse, abnormal usage, faulty installation, damage in an accident, improper maintenance, or any repairs other than those authorized by ROBERN. At the expiration of the one year warranty period, ROBERN shall be under no further obligation under any warranty, expressed or implied, including the implied warranty of merchantability. ROBERN shall not be liable for any consequential damages arising out of or in connection with the use or performance of its products. Some states do not allow limitations on how long an implied warranty lasts or do not allow the exclusion or limitation of incidental or consequential damages, so the above limitation or exclusion may not apply to you. Any liability against ROBERN under any implied warranty, including the warranty of merchantability, is expressly limited to the terms of this warranty. Permission to return any merchandise under this warranty must be authorized by ROBERN and returned prepaid by the purchaser. Claims under this warranty should be sent directly to your dealer.

©2022 ROBERN, INC.

ALL RIGHTS RESERVED

robern

© 2022 Robern, Inc. 701 N. Wilson Ave. Bristol, PA 19007 U.S.A.
800.877.2376 www.robern.com

Installation instructions