



Project \_\_\_\_\_  
 Item # \_\_\_\_\_  
 Quantity \_\_\_\_\_

# KATTEX

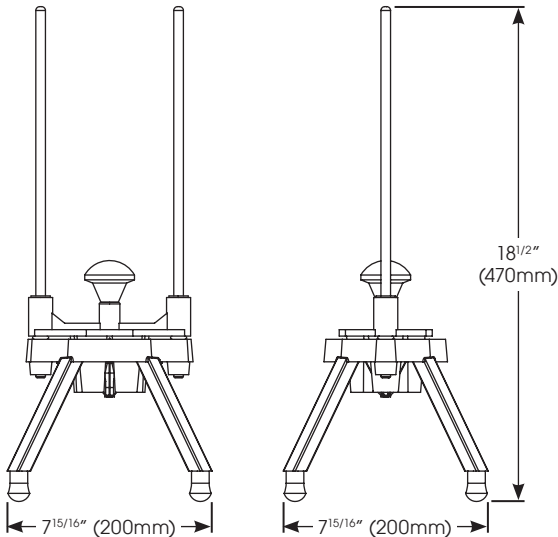
## Quick Slice Fruit Wedge Slicer

Models: FWS-6 | FWS-8

Get quick and uniform wedges of fruit with a push of the handle. Ideal for coring and sectioning apples, lemons, limes, oranges, and tomatoes.

### Standard Features

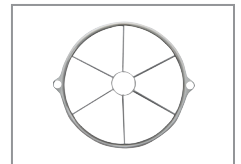
- ◆ Aluminum construction with sharp stainless steel blades that minimize squeezing and bruising
- ◆ Sturdy base with non-skid feet
- ◆ 3-1/2" diameter cutting area
- ◆ NSF listed



FWS-6BK



FWS-8BK



FWS-6BC

### Parts & Accessories

FWS-6BK	6-Section Wedger & Blade Replacement for FWS-series
FWS-8BK	8-Section Wedger & Blade Replacement for FWS-series
FWS-6BC	6-Slice Apple Corer Replacement for FWS-Series
FWS-8BC	8-Slice Apple Corer Replacement for FWS-Series
KAT-FT	4-Pc Replacement Feet Set
KAT-BS-FH	4-Pc Replacement Bushings

MODEL	DESCRIPTION	OVERALL DIMENSIONS			BOX DIMENSIONS			SHIP WEIGHT
		LENGTH	DEPTH	HEIGHT	LENGTH	DEPTH	HEIGHT	
FWS-6	6-Wedge	7-15/16" (200mm)	7-15/16" (200mm)	18-1/2" (470mm)	8-1/2" (215mm)	8-1/2" (215mm)	19-15/16" (505mm)	5.74 lbs (2.6 kg)
FWS-8	8-Wedge							

### Product Specs

#### Quick Slice Fruit Wedge Slicer

The Quick Slice Fruit Wedge Slicer models FWS-6 and FWS-8 as manufactured by Winco®, Lodi, NJ 07644.

The Quick Slice Fruit Wedge Slicer shall be constructed of aluminum with sharp stainless steel blades that minimize squeezing and bruising. Units are equipped a sturdy base with non-skid feet and 3-1/2" diameter cutting area. Units are NSF listed.

#### For California Customers

**WARNING:** Cancer and Reproductive Harm - [www.P65Warnings.ca.gov](http://www.P65Warnings.ca.gov)

Winco®, DWL International Trading, LLC

[www.wincous.com](http://www.wincous.com) | [equipsales@wincous.com](mailto:equipsales@wincous.com)

**New Jersey Headquarters:**  
 65 Industrial Road, Lodi, NJ 07644  
 Tel. 1.888.946.2682 | Fax: 1.888.946.2632

**California Distribution Center**  
 14950-14952 Valley View Avenue, La Mirada, CA 90638  
 Tel. 1.888.946.2652 | Fax: 1.562.926.5678

**Florida Distribution Center**  
 10800 NW 103rd St. Bldg 22, Ste 11, Miami, FL 33178  
 Tel. 1.786.536.4656