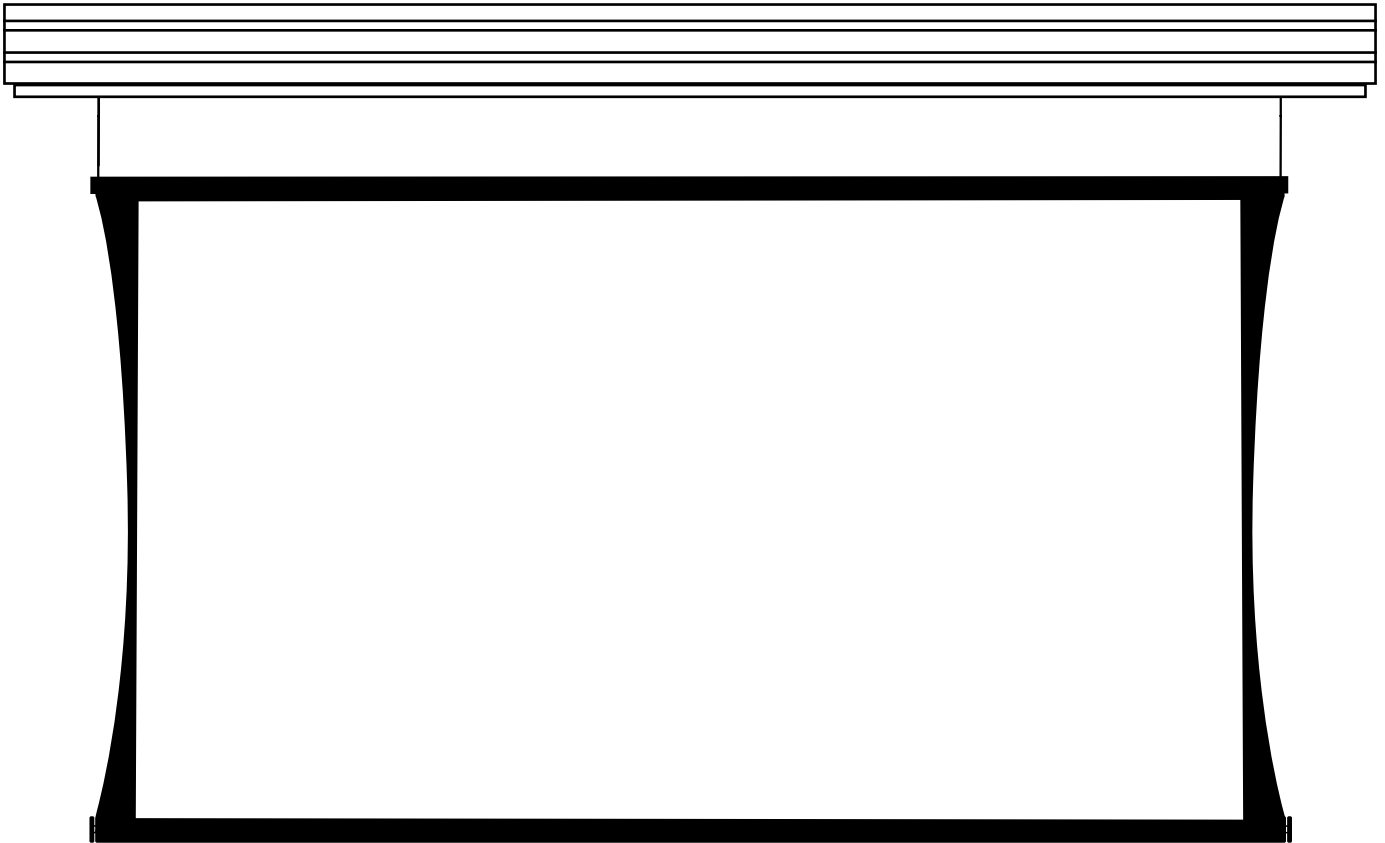


Zero-G[®]

Owner's Manual



Flush Mount



INSTALLERS: PLEASE LEAVE THIS
MANUAL WITH THE OWNER.



APPLY S/N
STICKER HERE



LIMITED ONE YEAR WARRANTY ON SCREEN INNOVATIONS PRODUCTS

Screen Innovations warrants its products, to the original purchaser only, to be free from defects in materials and workmanship for a period of one (1) year from the date of purchase by the original purchaser provided they are properly operated according to Screen Innovations' instructions and are not damaged due to improper handling or treatment after shipment from the factory.

This warranty does not apply to equipment showing evidence of misuse, abuse, or accidental damage, or which has been tampered with or repaired by a person other than authorized Screen Innovations personnel.

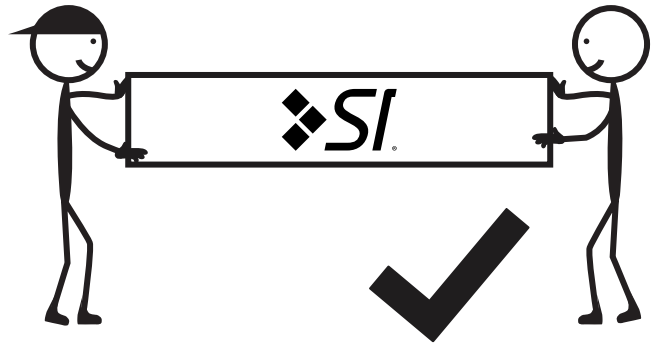
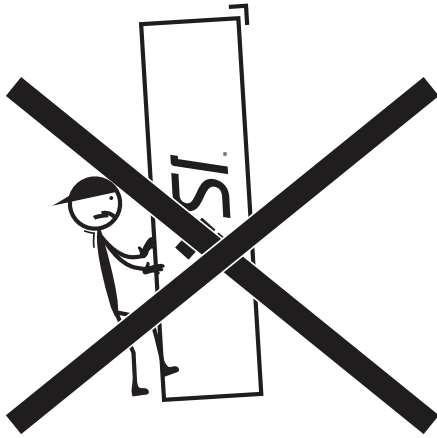
Screen Innovations' sole obligation under this warranty shall be to repair or to replace (at Screen Innovations' option) the defective part of the merchandise. Returns for service should be made to your Screen Innovations' dealer. If it is necessary for the dealer to return the screen or part to Screen Innovations, transportation expenses to and from Screen Innovations are payable by the purchaser and Screen Innovations is not responsible for damage in shipment. To protect yourself against damage or loss in transit, insure the product and prepay all transportation expenses.

THIS WARRANTY IS IN LIEU OF ALL OTHER WARRANTIES, EXPRESS OR IMPLIED, INCLUDING WARRANTIES AS TO FITNESS FOR USE AND MERCHANT ABILITY. Any implied warranties of fitness for use, or merchantability, that may be mandated by statute or rule of law are limited to the one (1) year warranty period. This warranty gives you specific legal rights, and you may also have other rights, which vary from state-to-state. NO LIABILITY IS ASSUMED FOR EXPENSES OR DAMAGES RESULTING FROM INTERRUPTION IN OPERATION OF EQUIPMENT, OR FOR INCIDENTAL, DIRECT, OR CONSEQUENTIAL DAMAGES OF ANY NATURE.

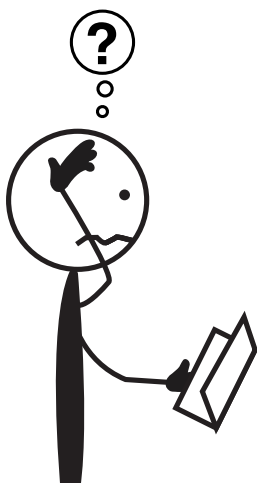
In the event that there is a defect in materials or workmanship of a Screen Innovations product, you may contact our Sales Partners at 9715-B Burnet Road Suite 400, Austin, TX 78758, (512) 832-6939.

IMPORTANT: THIS WARRANTY SHALL NOT BE VALID AND SCREEN INNOVATIONS SHALL NOT BE BOUND BY THIS WARRANTY IF THE PRODUCT IS NOT OPERATED IN ACCORDANCE WITH SCREEN INNOVATIONS' WRITTEN INSTRUCTIONS.

Keep your sales receipt to prove the date of purchase and your original ownership.



Installation requires 3 or more people. Bend knees when lifting.

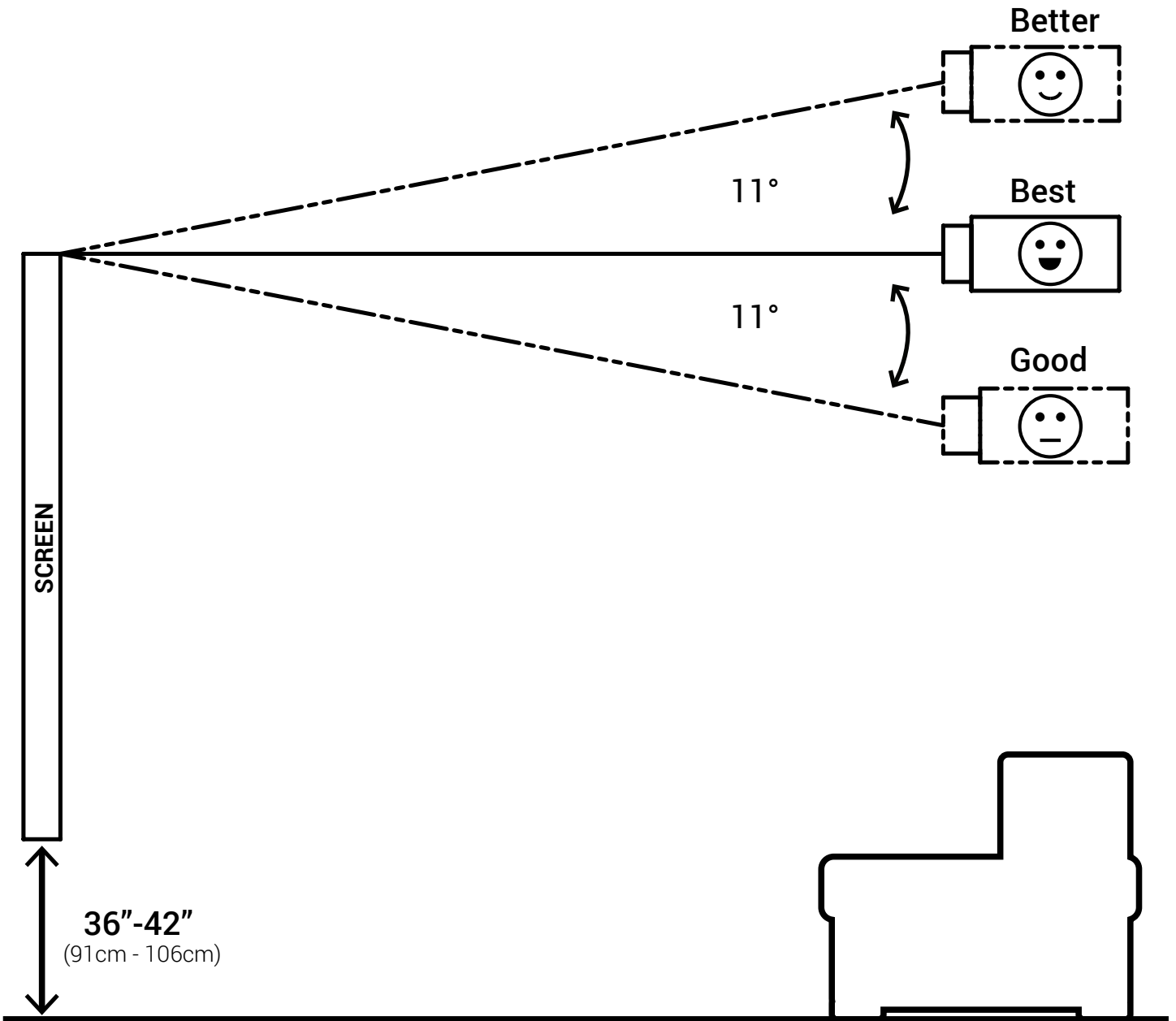


512-832-6939

9715-B Burnet Road Suite 400, Austin, TX 78758

screeninnovations.com

PROJECTOR PLACEMENT	5
BEFORE PROCEEDING	6
OPENING THE BOX	7
CEILING POCKET PREPARATION.....	8
INSTALLATION TYPE.....	9
L-BRACKET PARTS LIST	10
L-BRACKET INSTALLATION	11
L-BRACKET POWER AND CONTROLS	12
L-BRACKET CASE INSTALLATION.....	13
SUSPENDED CEILING PARTS LIST	14
SUSPENDED CEILING PREPARATION.....	15
SUSPENDED CEILING POWER AND CONTROLS	16
SUSPENDED CEILING CASE INSTALLATION	17
FLUSH CASE TO CEILING	18
POWER AND CONTROLS.....	20
LOW VOLTAGE TRIGGER (OPTIONAL).....	23
WALL SWITCH	23
IR REMOTE (OPTIONAL).....	24
3RD PARTY CONTROL (OPTIONAL).....	25
SETTING THE DROP	27
WALL SWITCH GENERAL OPERATION	30
INSTALL RIGHT SIDE END TRIM	35
INSTALL DOORS.....	36
REMOVING PACKAGING	38
SETTING THE LOWER LIMIT.....	40
INSTALL LEFT SIDE END TRIM	41
INSTALL DOOR BUMPERS	42
ADJUSTING SCREEN TENSION	43
RAISING THE VIEWING AREA (IF NECESARRY).....	44
LOWERING THE VIEWING AREA (IF NECESARRY)	49
SCREEN MATERIAL CLEANING INSTRUCTIONS	54
TROUBLESHOOTING	55
LIFETIME REPLACEMENT POLICY	56





CAUTION: READ THE INSTRUCTIONS IN THEIR ENTIRETY BEFORE PROCEEDING. ACTIONS CONTRARY TO THE INSTRUCTIONS INVALIDATE THE WARRANTY AND MAY RESULT IN SERIOUS DAMAGE AND/OR INJURY.

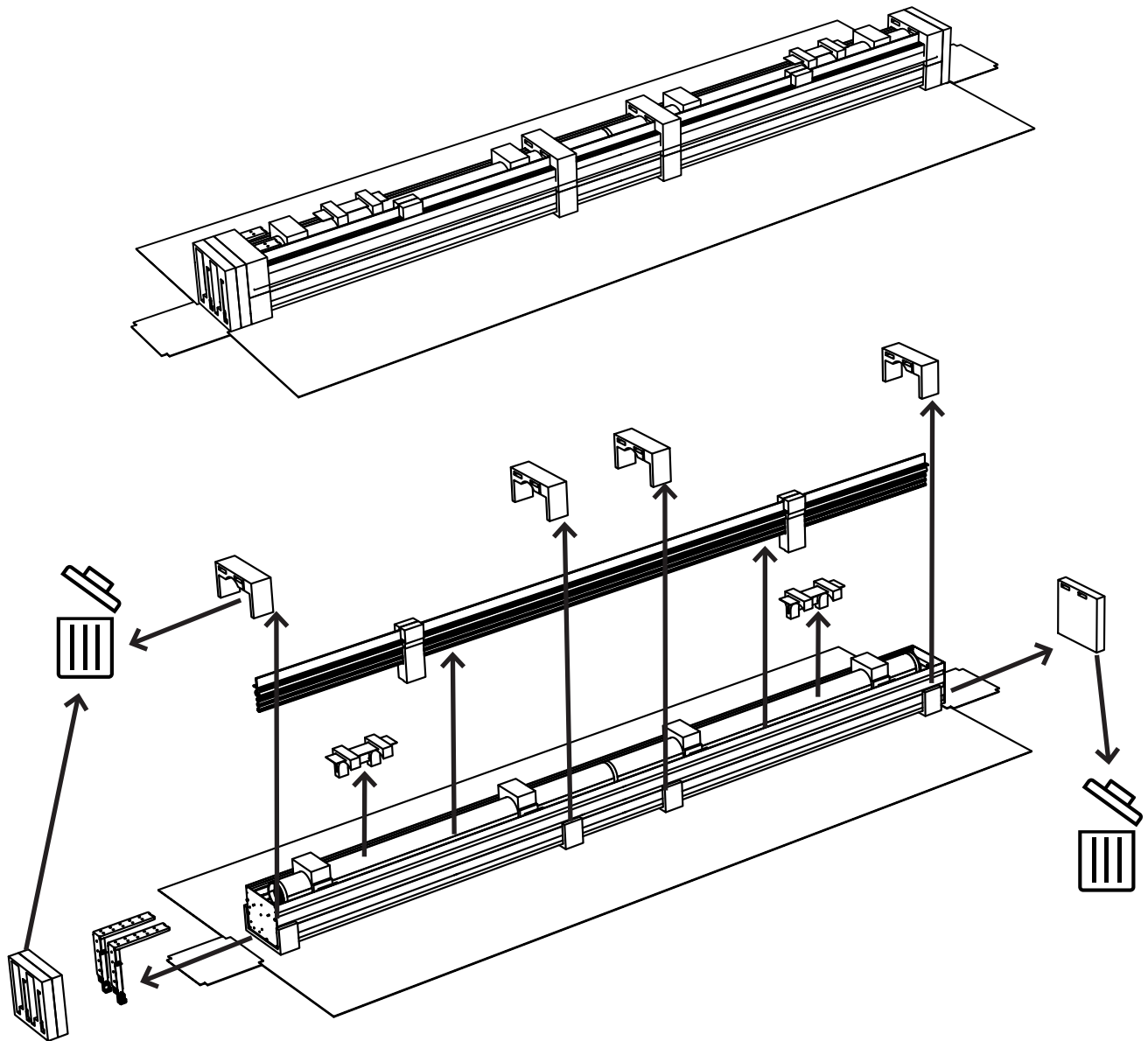
INSTALLER:

- Blocking is required. The ceiling or wall used for fixture installation must be able to support 300 lbs or more. Failure to properly secure the screen may result in injury and/or damage.
- Electrical work should be performed using appropriate electrical codes and regulation, by a licensed electrical professional.
- Before running cables in walls or ceilings see controls section on pages 22,23 and 25 for control cable requirements.
- Before removing the screen from the box, check for damage and to make sure all parts are included.
- Do not use any sharp blades when opening the screen packaging. Open by hand.
- Do not pull on the sides, crease, or fold the screen. The screen material is very delicate.
- Care in mounting and correct operation will result in long and satisfactory service from the SI screen.
- The screen should be level when installed. Always use a carpenter's level.
- Nothing should be fastened to any part of the screen assembly.

END USER:

- To prevent damage, the operating and maintenance of the screen should be performed by experienced professionals.
- This is a finished product. Do not write or draw on the surface.
- Do not put anything near or under the screen that would come in contact or impede the normal operation of the screen when deployed.
- Damage to the screen can result if an object prevents the screen from fully deploying.

NOTE: The screen has been thoroughly inspected and tested at factory and found to be operating properly prior to shipment.

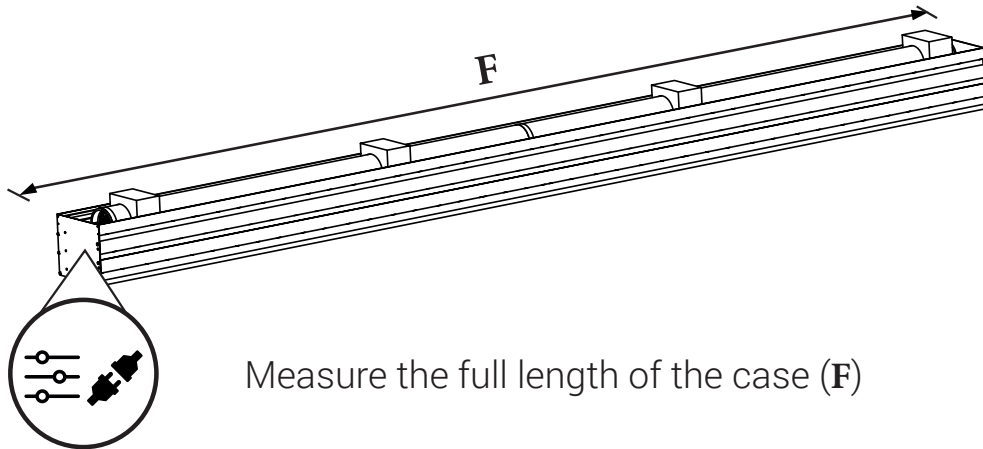


Do not remove the foam or packaging inside the cassette at this time. Cut the straps to open the box, then remove the trim pieces, doors assemblies, and mounting brackets and set all of them out of the way of the installation area. Tear away the foam from the top of the case but leave the foam inside the case.



BLOCKING REQUIRED. THE CEILING OR WALL USED FOR FIXTURE INSTALLATION MUST BE ABLE TO SUPPORT 300 LBS OR MORE. FAILURE TO PROPERLY SECURE THE SCREEN MAY RESULT IN INJURY AND/OR DAMAGE.

1



Measure the full length of the case (**F**)

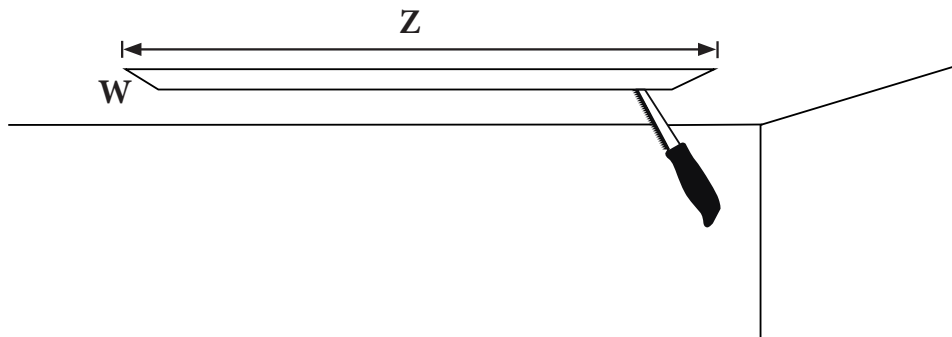
2

$$\boxed{\mathbf{F}} + \boxed{1\frac{1}{2}''} = \boxed{\mathbf{Z}} \pm \boxed{\frac{1}{4}''}$$

CASE LENGTH
CLEARANCE
LENGTH OF OPENING
TOLERANCE

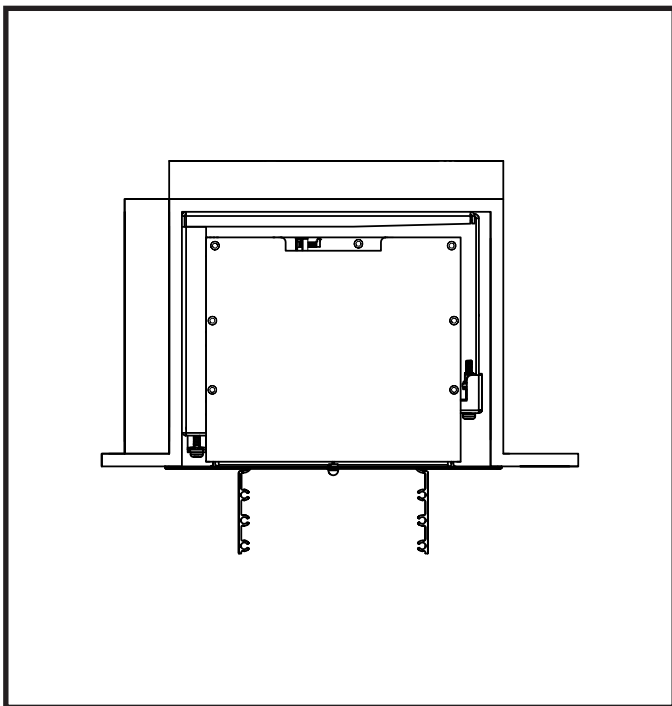
$$\boxed{12\frac{1}{2}''} = \boxed{\mathbf{W}} \pm \boxed{\frac{1}{4}''}$$

DEPTH OF OPENING
TOLERANCE

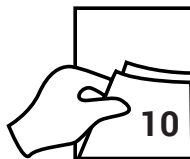


Cut a hole in the ceiling using the **Z** and **W** values from the formula above.

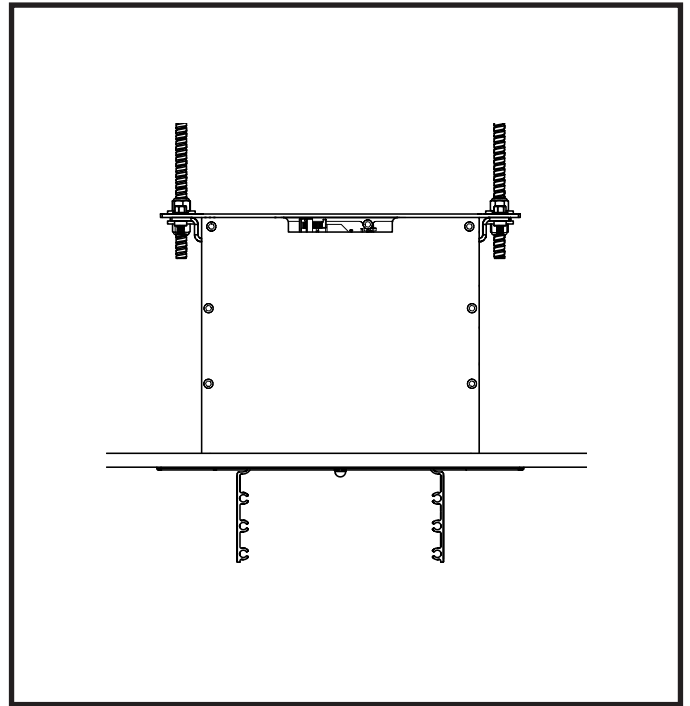
L Bracket



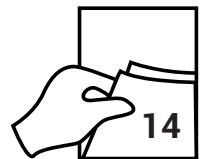
Turn to page



Suspended Ceiling

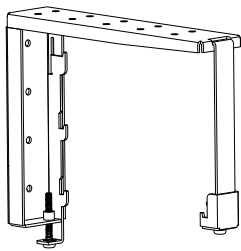
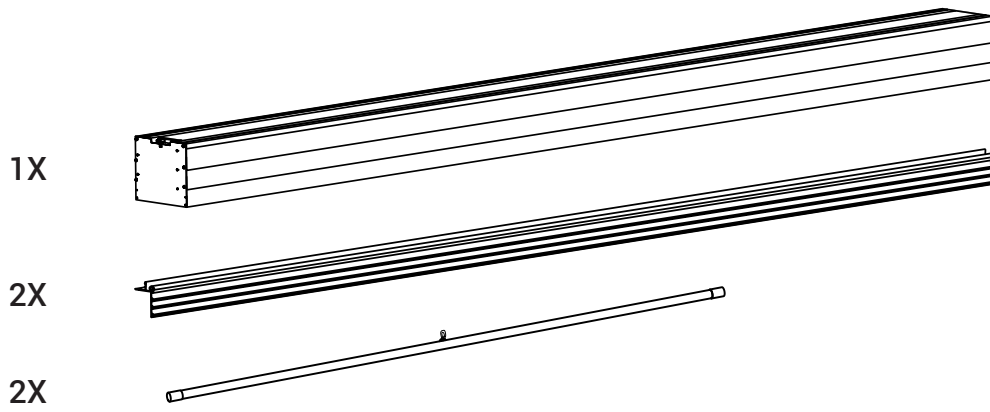


Turn to page

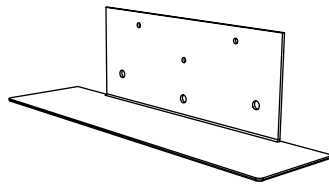


L-BRACKET PARTS LIST

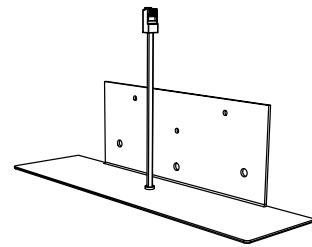
ZERO-G



2X - 3X



1X
Idler Side



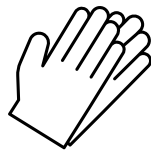
1X
Motor Side



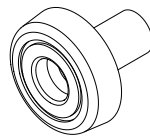
16X - 24X



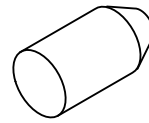
5X



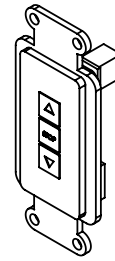
1X



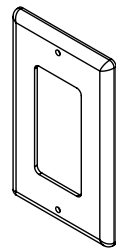
6X



6X



1X



1X



1X



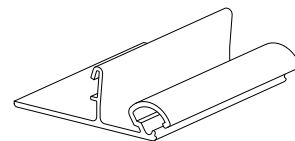
1X



2X



1X



1X

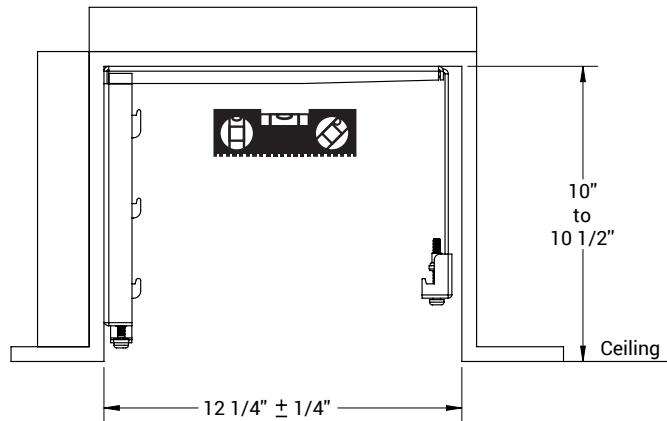
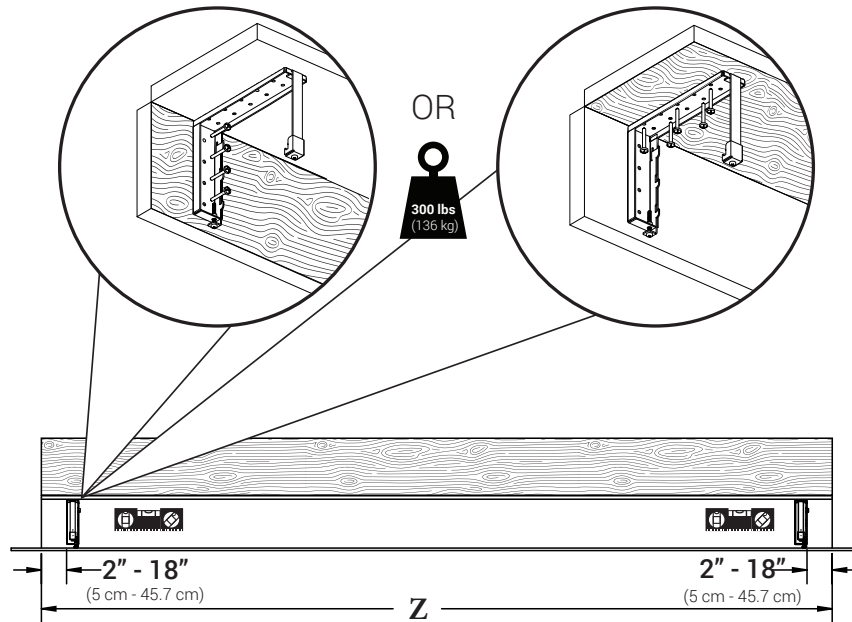


4X




FAILURE TO PROPERLY LEVEL THE MOUNTING BRACKETS MAY CREATE ISSUES WITH THE SCREEN OVER TIME, WHICH COULD DAMAGE THE SCREEN MATERIAL.

1

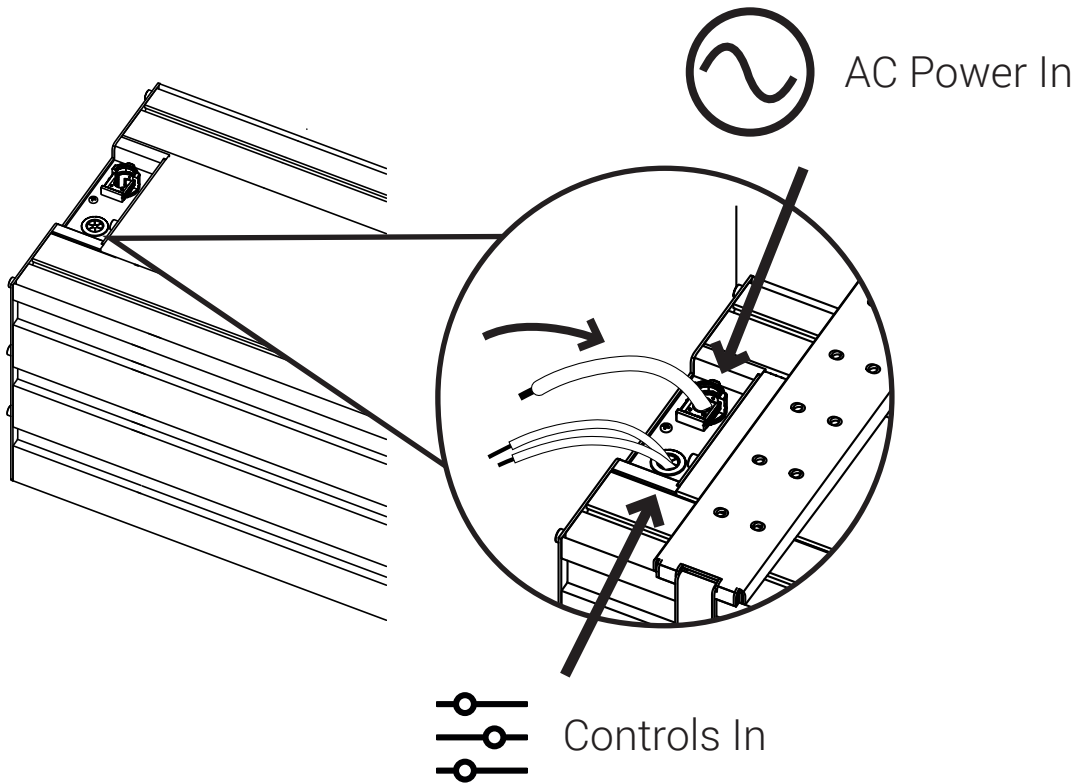


Install the brackets so that they will be **2" - 18"** away from the edge of the case on both sides. The ideal range is **2" - 4"**.

Level the brackets to within $\frac{1}{8}$ " over **10'** using the case length (**F**); as well as $\frac{1}{2}$ " over **1'** using the depth (**W**) of the pocket.

 DO NOT OPEN THE CONTROL CENTER WITH THE CIRCUIT BREAKER ON.

2

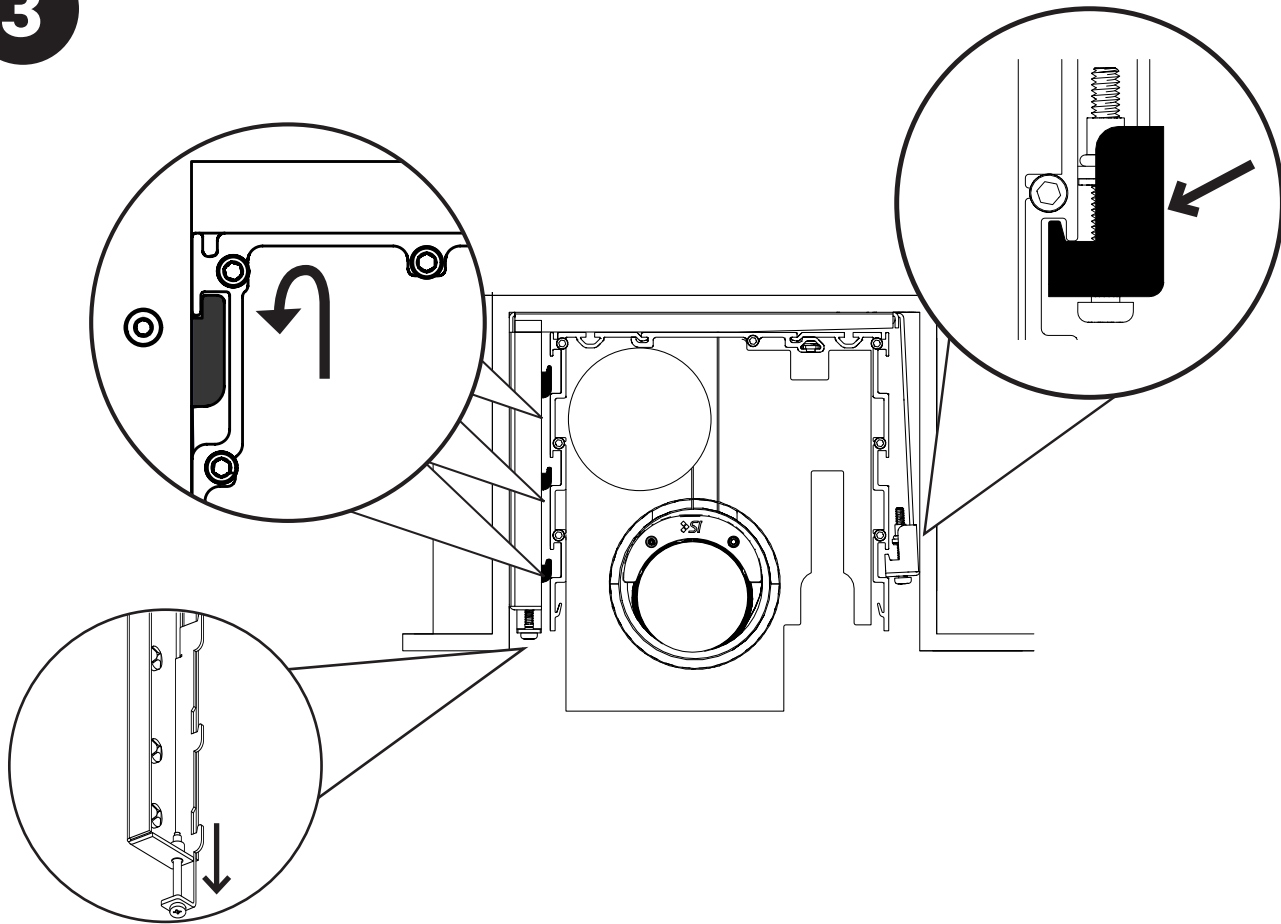


Pass the control and power cables through the appropriate openings in the case.



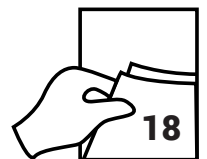
INSTALLATION REQUIRES THREE OR MORE PEOPLE. THE PRODUCT WEIGHS UP TO 225 LBS. PLEASE USE SAFE LIFTING AND RIGGING TECHNIQUES.

3



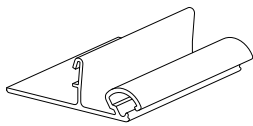
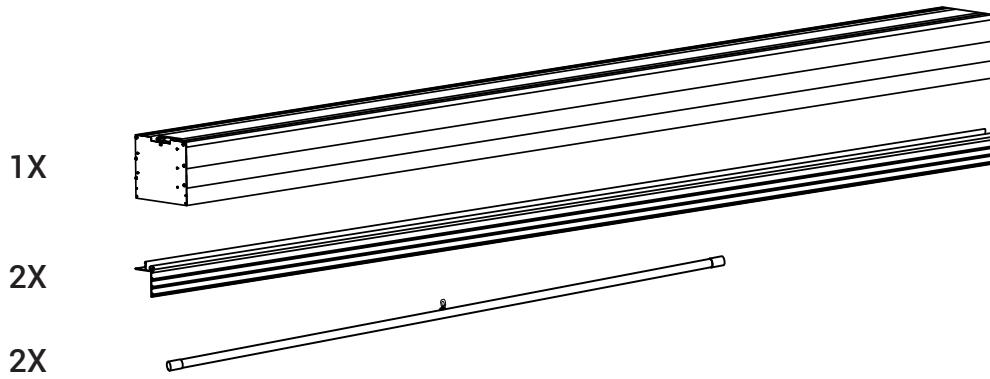
Make sure bracket screws are backed out all the way before putting the screen in place. Hook the bracket into all 4 grooves in the case. You may need to raise the case by tightening the screw on the back 3 hooks to hook in the front hook.

Turn to page

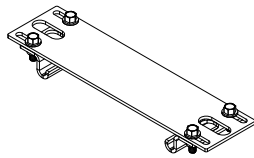


SUSPENDED CEILING PARTS LIST

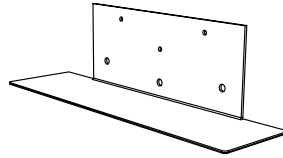
ZERO-G



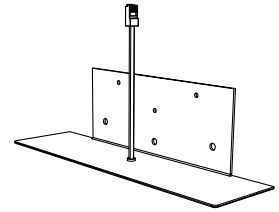
1X



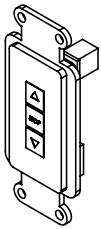
2X to 3X



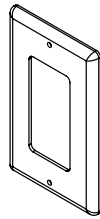
1X
Idler Side



1X
Motor Side



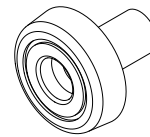
1X



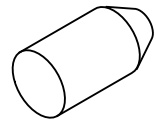
1X



5X



6X



6X



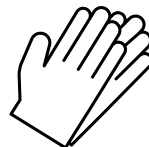
1X



1X



1X



1X



2X



4X

Parts to be supplied by installer



Threaded Rod 3/8" Minimum



Nut



Washer



Washer

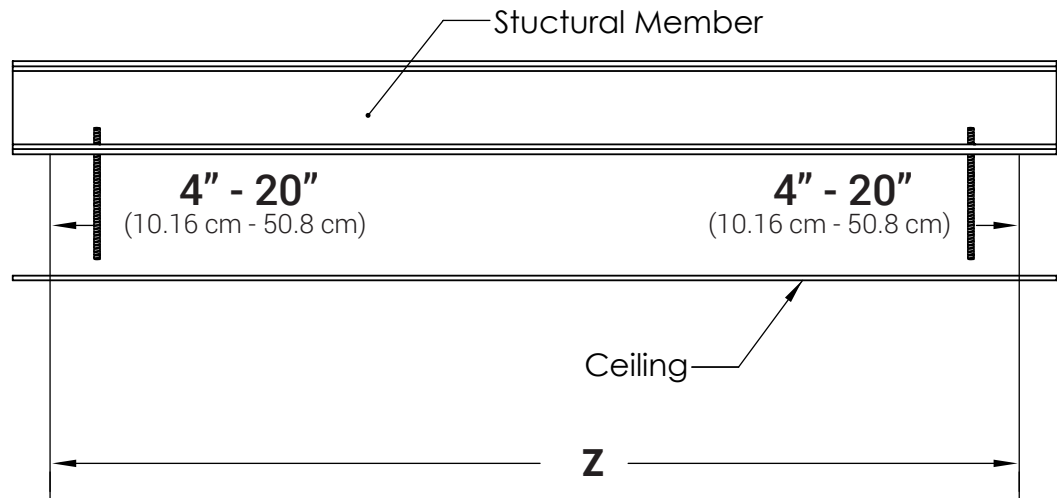


Nut



FAILURE TO PROPERLY LEVEL THE MOUNTING BRACKETS WILL CREATE ISSUES WITH THE SCREEN OVER TIME, DAMAGING THE SCREEN MATERIAL.

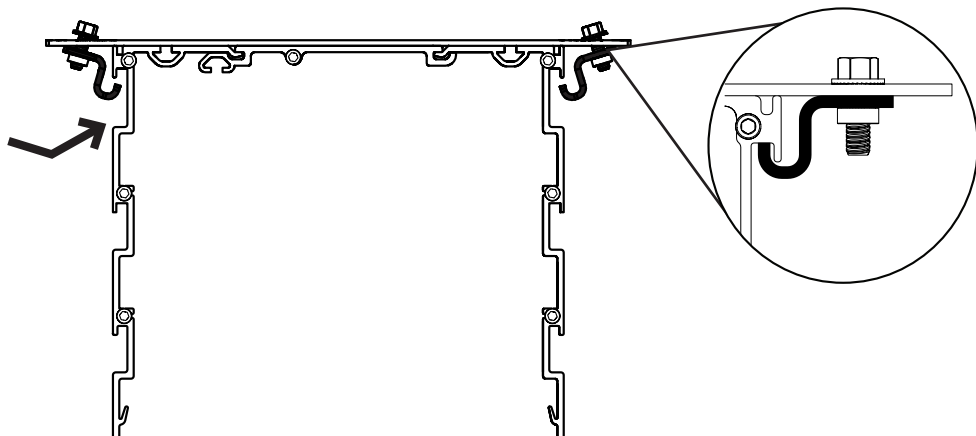
1



2X to 3X

Secure 4 threaded rods to structural supports above the installation location as shown.

2

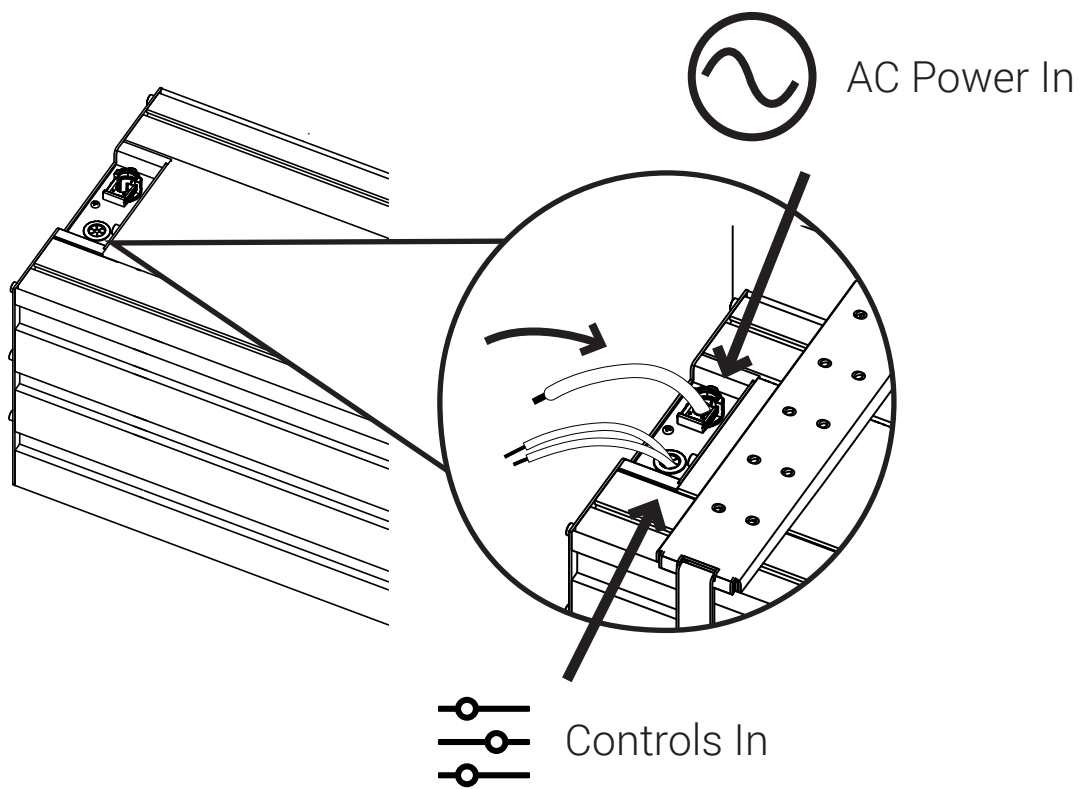


Hook the suspended ceiling brackets into the case as shown. Position along the length of the case such that the large holes will line up with the threaded rods, and lock down.



DO NOT OPEN THE CONTROL CENTER WITH THE CIRCUIT BREAKER ON.

3

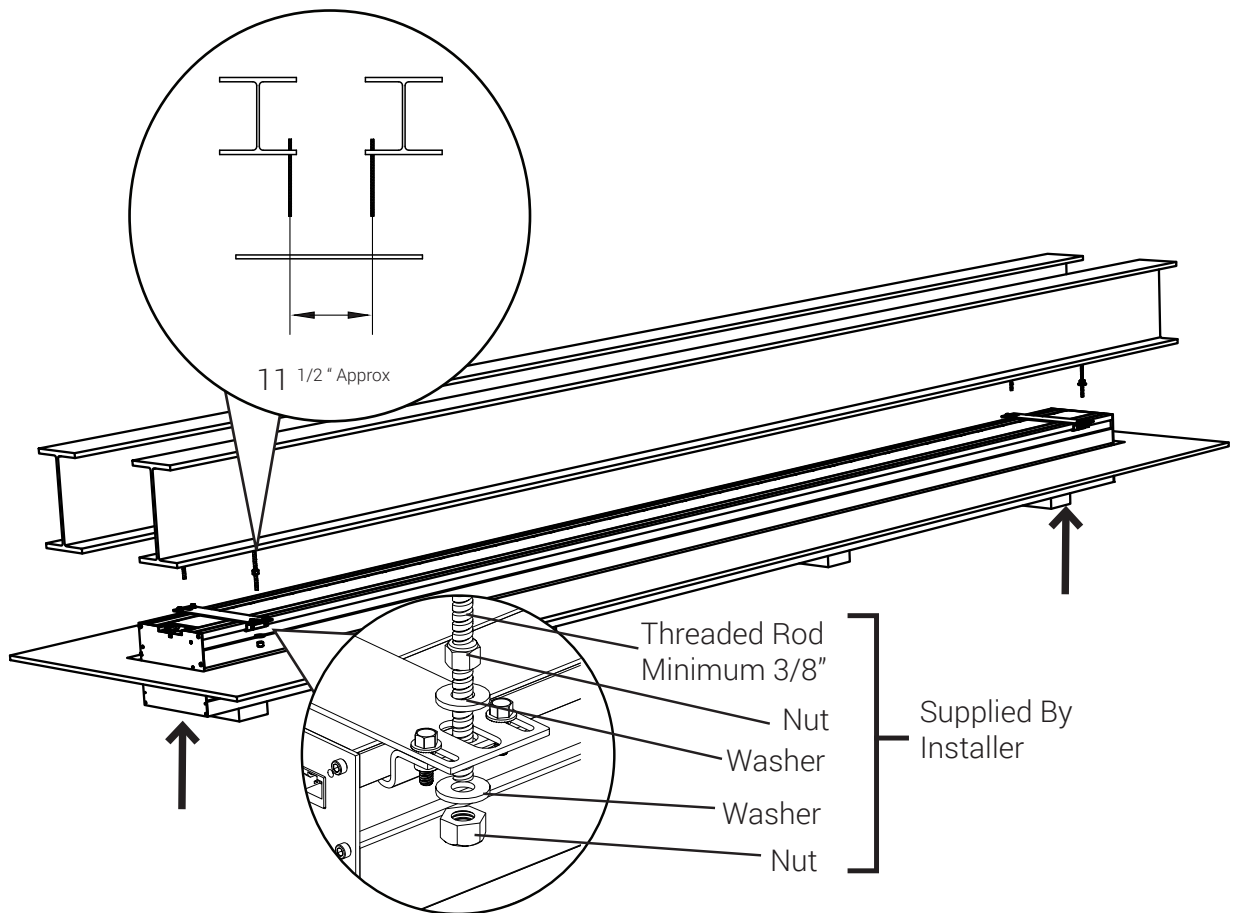


Pass the control and power cables through the appropriate openings in the case.



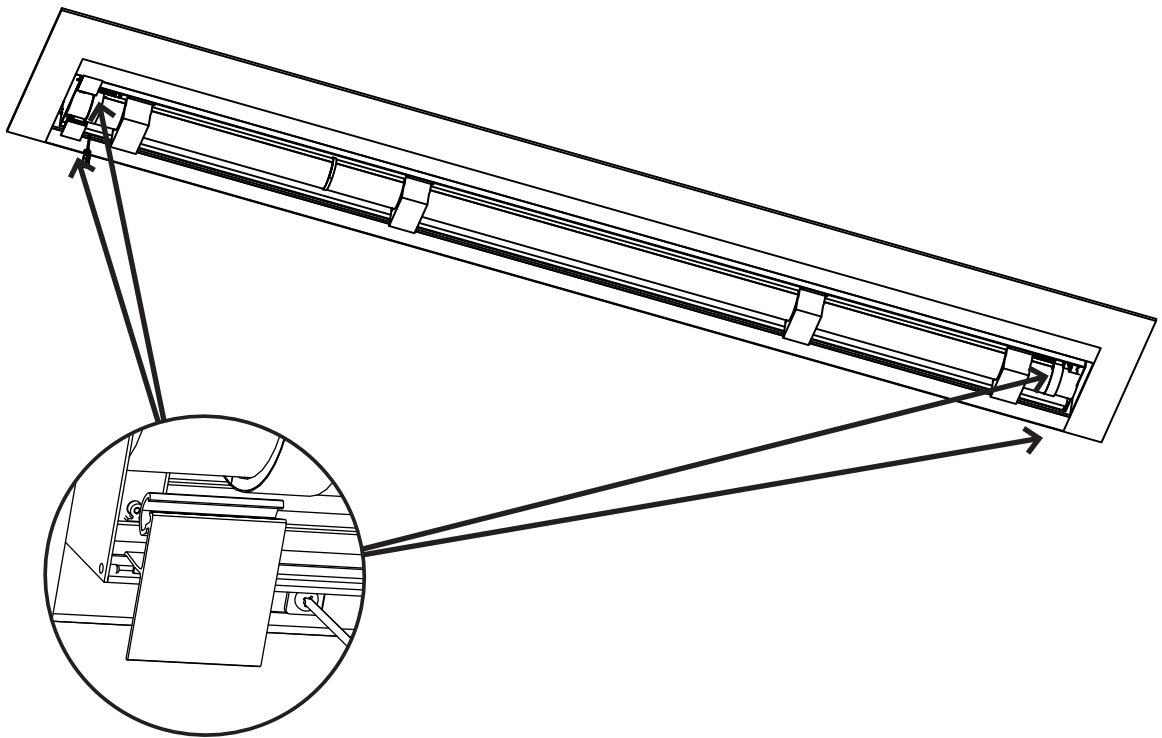
INSTALLATION REQUIRES THREE OR MORE PEOPLE. THE PRODUCT WEIGHS UP TO 225 LBS. PLEASE USE SAFE LIFTING AND RIGGING TECHNIQUES.

4



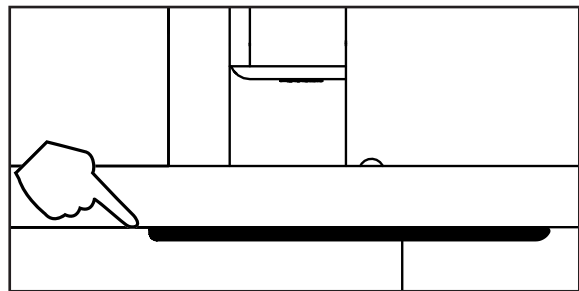
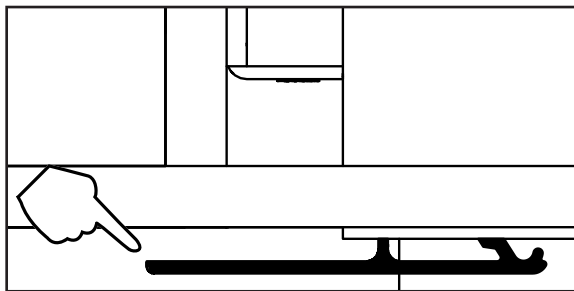
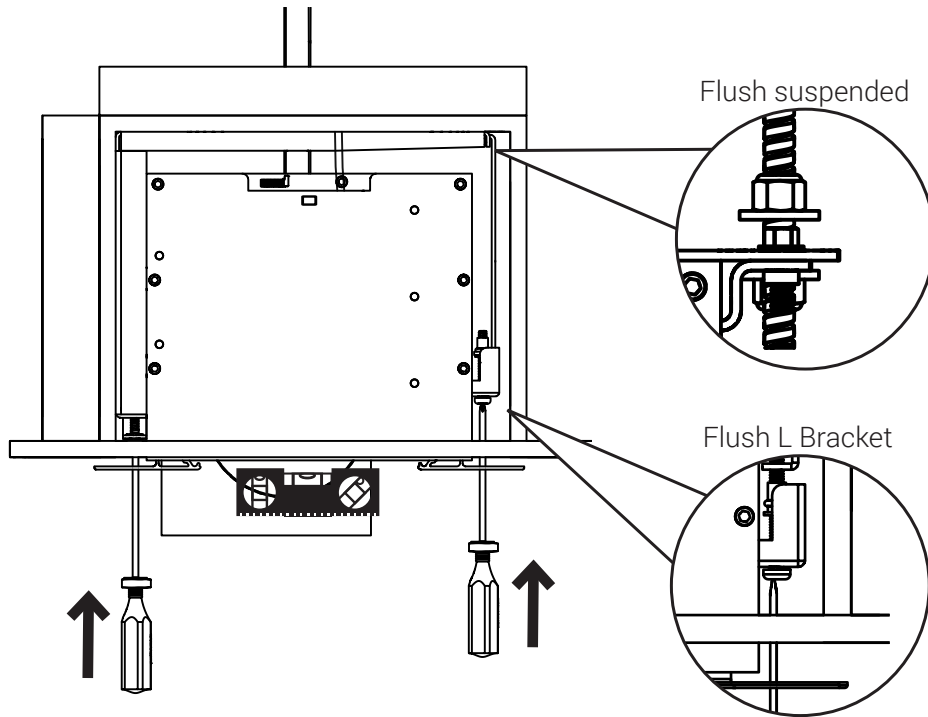
Lift the case up to the threaded rods and secure it in place with the installer provided nuts and washers.

1



Hook the short trim piece into the case to use as a reference for the following step (2).

2



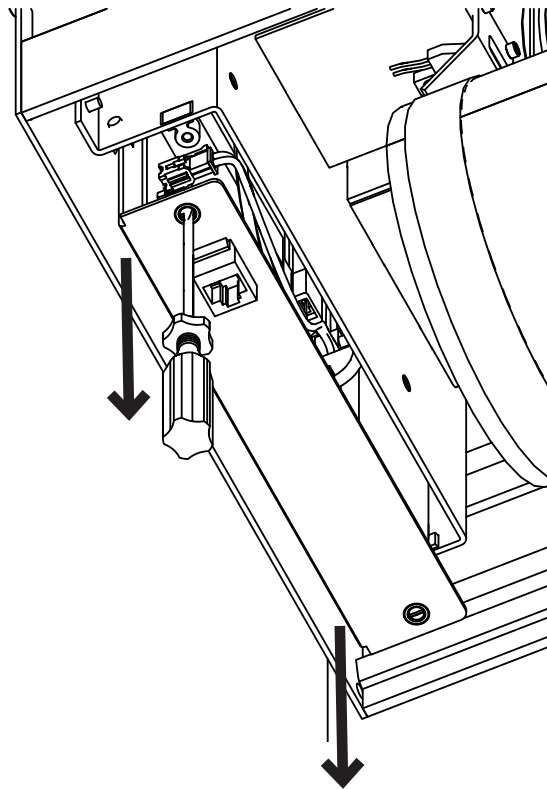
Raise the case up until the reference trim piece is flush with the ceiling.
Repeat this at the front and back of all mounting brackets.

Level the case to within $\frac{1}{8}$ " over **10'** using the case length (**F**); as well as $\frac{1}{2}$ " over **1'** using the depth (**W**) of the pocket.



DO NOT OPEN THE CONTROL CENTER WITH THE CIRCUIT BREAKER ON.

1

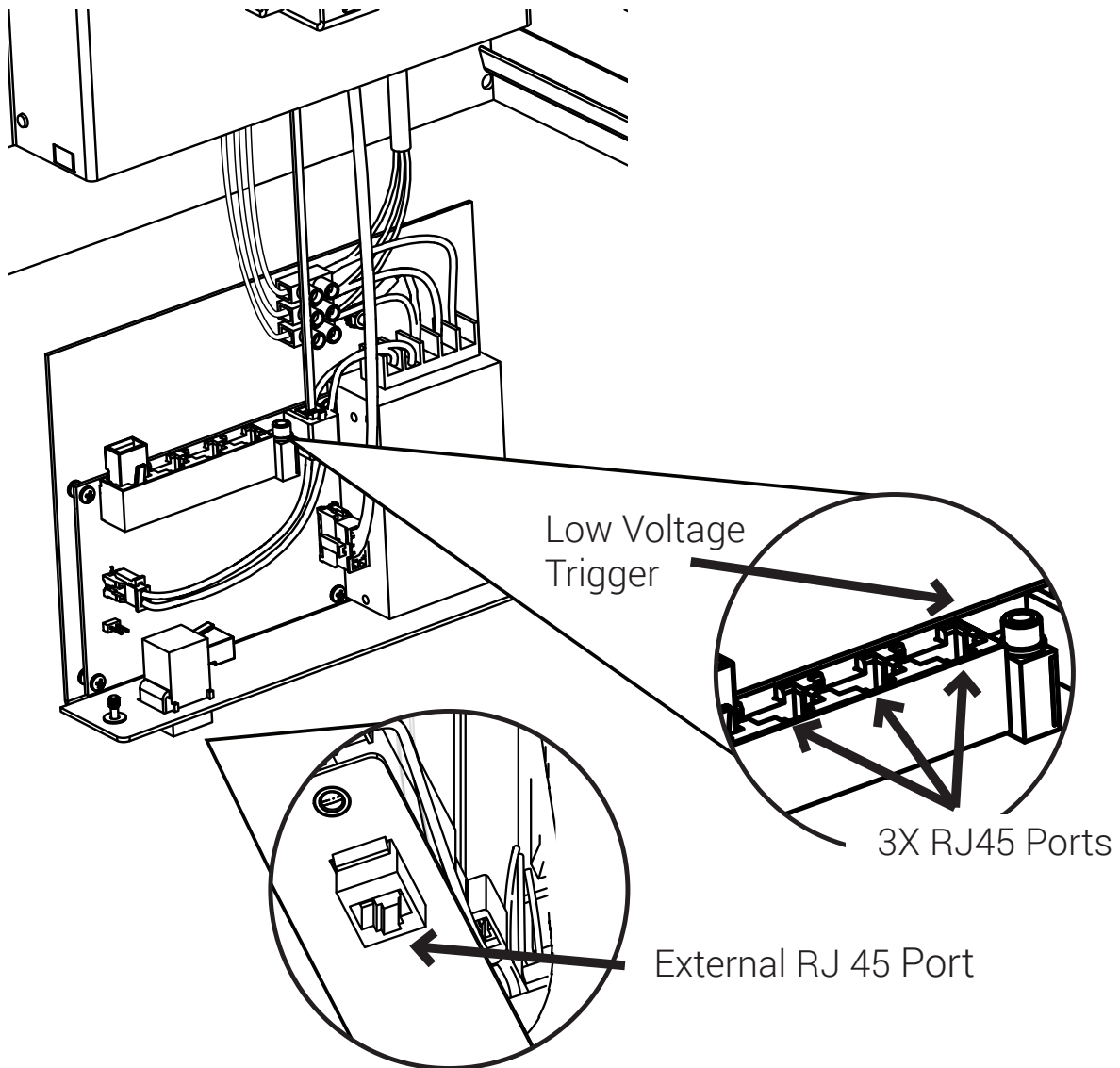


Open the tray.

Carefully unscrew and pull down the control center ensuring none of the cables or motherboard become damaged. **If you feel resistance do not yank.**



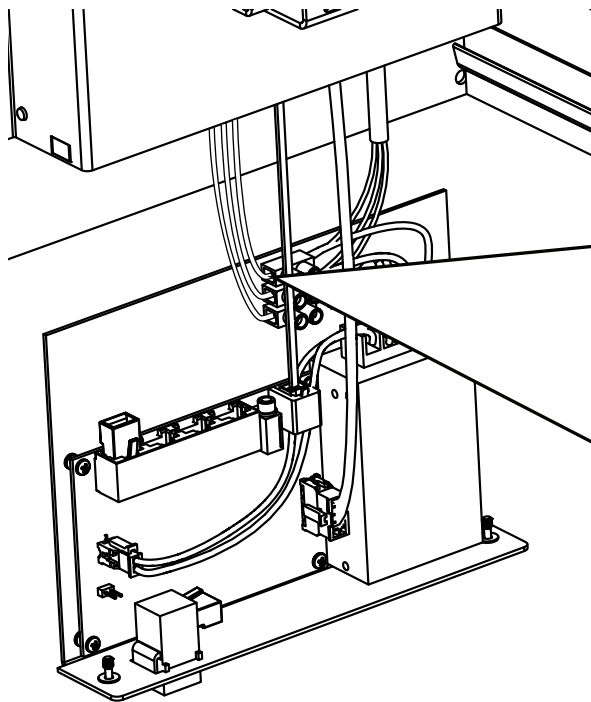
TO BE INSTALLED AND/OR USED IN ACCORDANCE WITH THE APPROPRIATE ELECTRICAL CODES AND REGULATIONS BY A LICENSED ELECTRICAL PROFESSIONAL. DO NOT CONNECT POWER WITH THE CIRCUIT BREAKER ON.



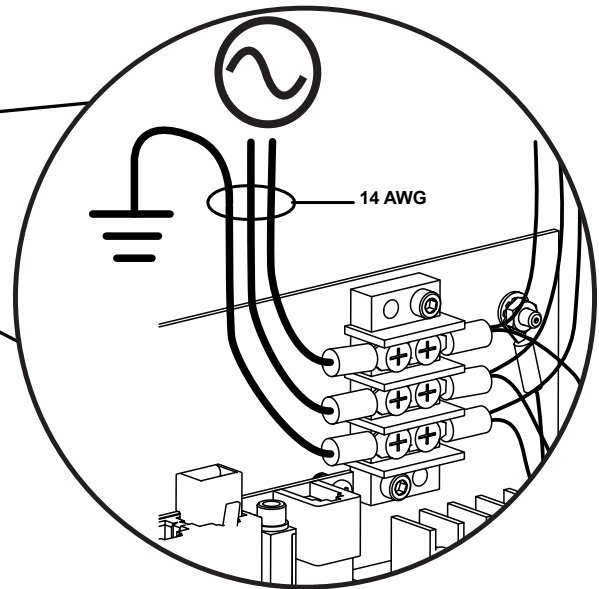
All RJ 45 Ports act the same, and can be used for wall switch, IR Eye, or 3rd Party Control.



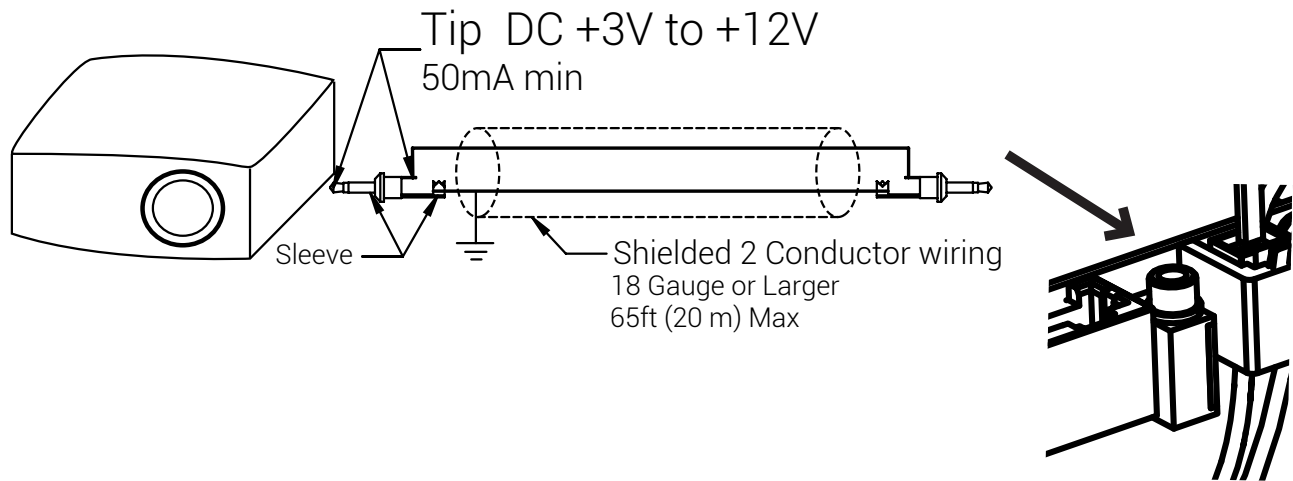
TO BE INSTALLED AND/OR USED IN ACCORDANCE WITH THE APPROPRIATE ELECTRICAL CODES AND REGULATIONS BY A LICENSED ELECTRICAL PROFESSIONAL. DO NOT CONNECT POWER WITH THE CIRCUIT BREAKER ON.



120VAC or 230VAC Power In
As Specified at time of order.

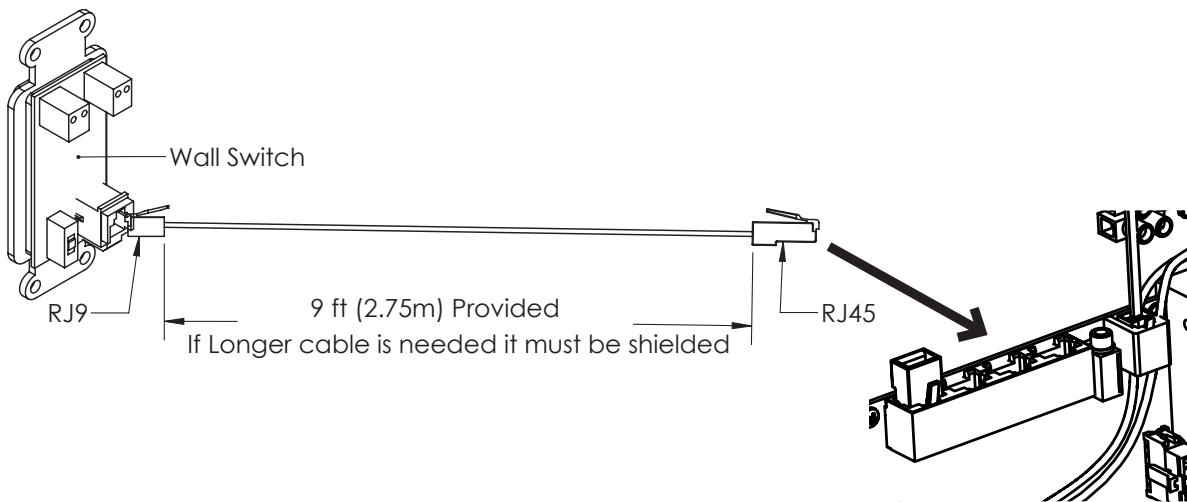


Securely connect power to the terminal block on the control center. It is recommended to crimp the provided spade connectors to the incoming power wires.



Some projectors may have a low-voltage trigger that will allow your screen to drop when it is turned on. Installer must supply conductor wire in the length and guage needed..

WALL SWITCH






Use the supplied cable for all set-up procedures. It is recommended to permanently install the wall switch in an accessible location for future limit setting and troubleshooting procedures. Plug in the RJ45 end into the control center, and plug the smaller RJ9 end into the wall switch.

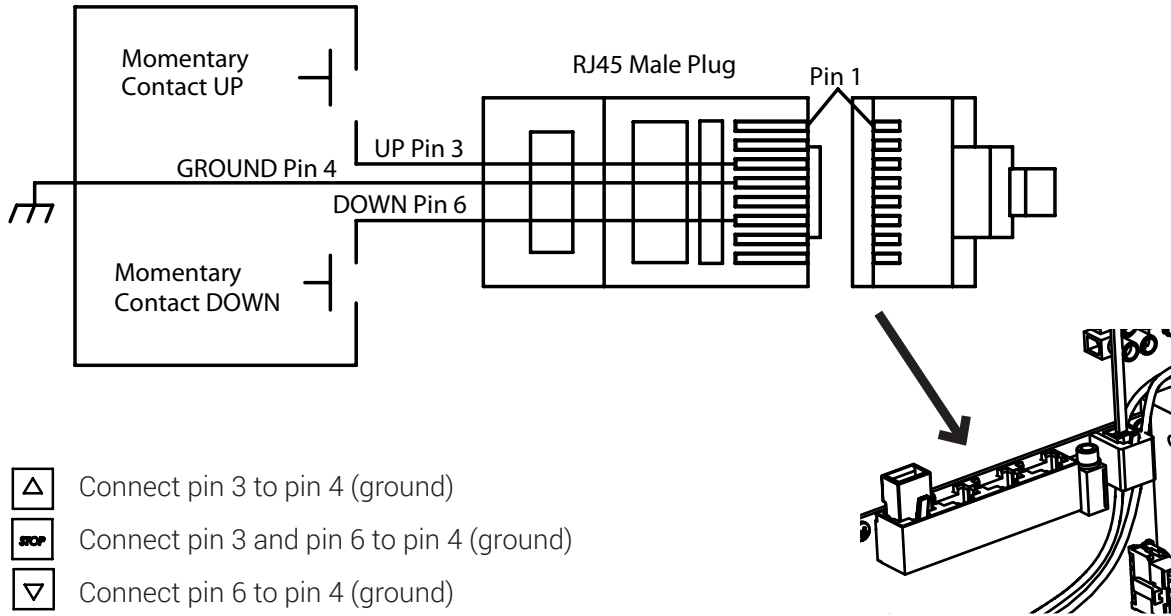
IR Remote Use

- If the IR remote is held down continuously as the screen is moving there is a chance that the screen can stop in-between limits. If this happens simply send another IR signal in the direction it was going to continue its movement.
- If a control system is using an IR blaster to control this screen, make sure to limit the period where it blasts the signal one second or less.

Hex Codes

These codes are to be programmed into 3rd party universal control systems.

	0000 006c 0000 000c 0006 011b 0006 011b 0006 00bb 0006 00bb 0006 00bb 0006 00bb 0006 00bb 0006 00bb 0006 00bb 0006 00bb 0006 011b 0006 08a4
	0000 006c 0000 000c 0006 011b 0006 011b 0006 00bb 0006 00bb 0006 00bb 0006 00bb 0006 00bb 0006 00bb 0006 00bb 0006 011b 0006 011b 0006 08a4
	0000 006c 0000 000c 0006 011b 0006 011b 0006 00bb 0006 00bb 0006 00bb 0006 00bb 0006 00bb 0006 00bb 0006 00bb 0006 011b 0006 00bb 0006 08a4



- Connect pin 3 to pin 4 (ground)
- Connect pin 3 and pin 6 to pin 4 (ground)
- Connect pin 6 to pin 4 (ground)

CAT 5	Orange/ White	Orange	Green/ White	Blue	Blue/ White	Green	Brown/ White	Brown
Wall Switch	1. Empty	2. Empty	3. Up	4. Ground	5. 5V	6. Down	7. Empty	8. Empty

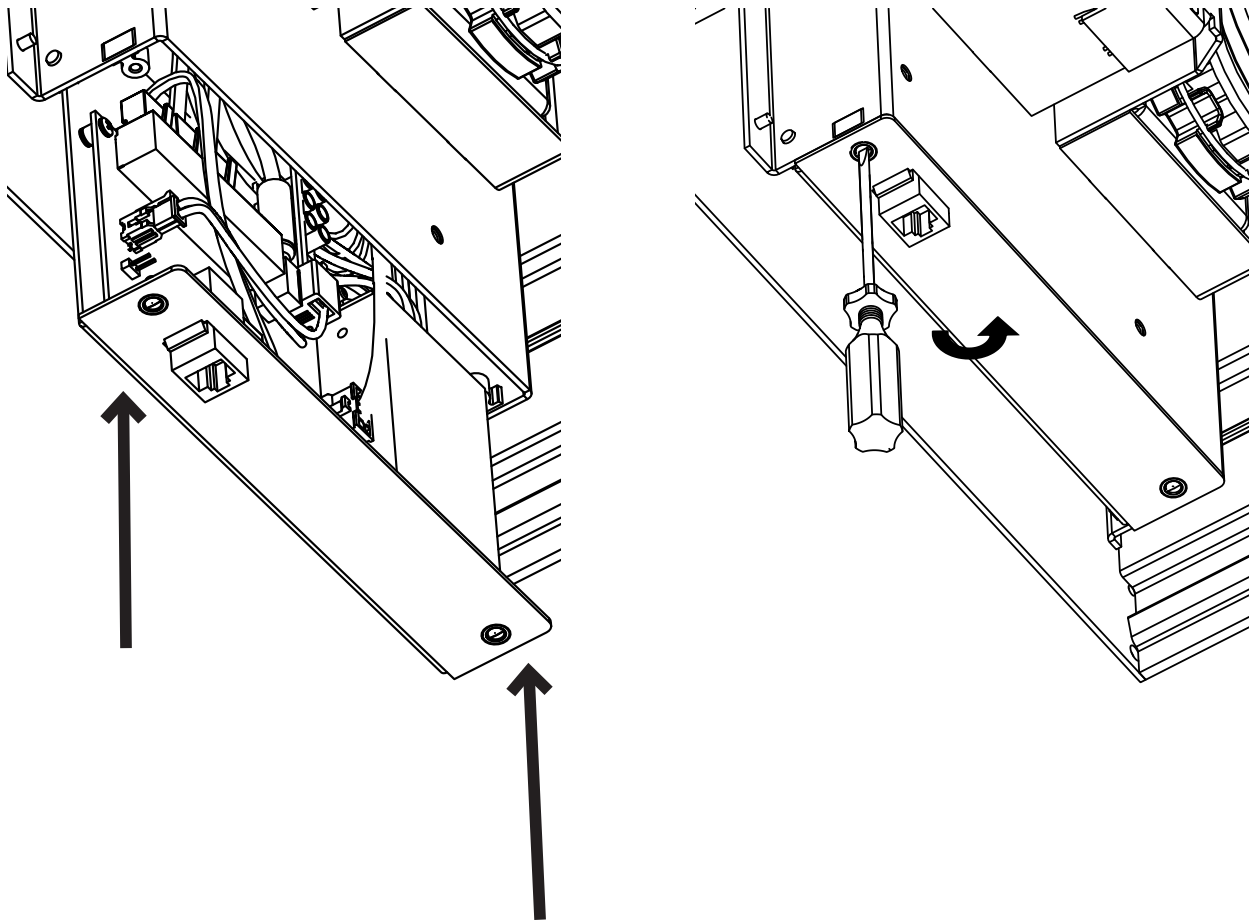
RJ45 to RJ11	1. Empty	2. Empty	3. Yellow	4. Green	5. Red	6. Black	7. Empty	8. Empty
Wall Switch	1. Empty	2. Empty	3. Up	4. Ground	5. 5V	6. Down	7. Empty	8. Empty

Screen will not function properly if wired incorrectly.



DO NOT FORCE THE CONTROL PANEL. IF IT DOES NOT CLOSE EASILY, REOPEN THE PANEL AND LOOK FOR WIRES OR OTHER OBSTRUCTIONS AND THEN ATTEMPT TO CLOSE IT AGAIN.

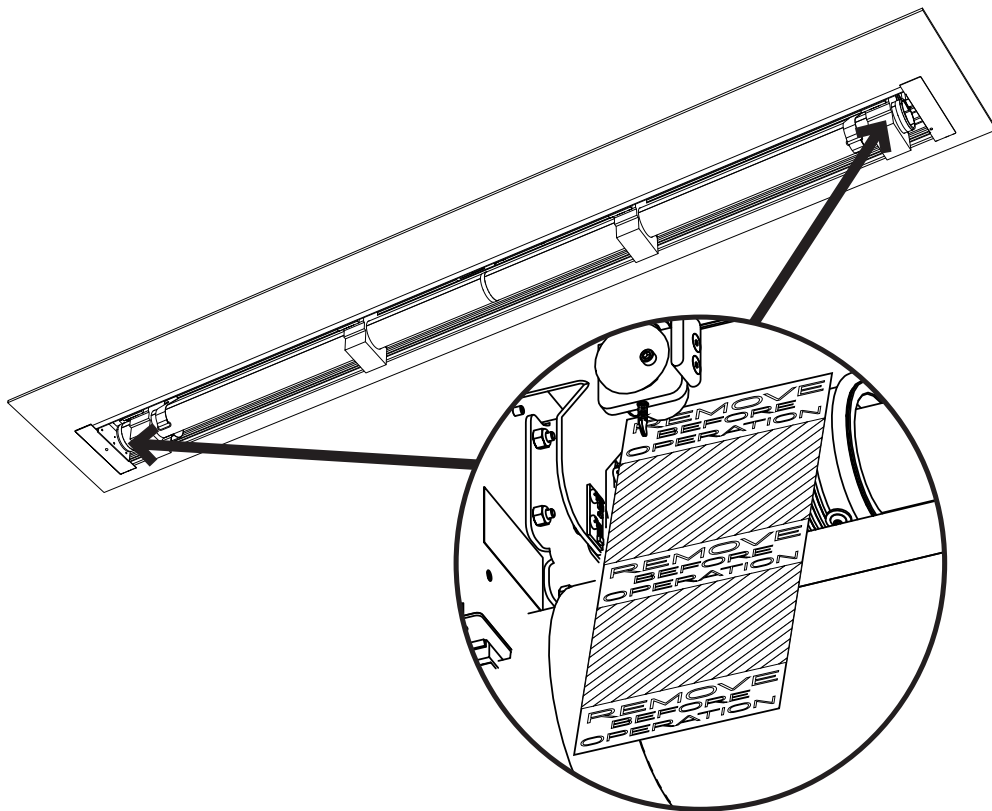
2



Close the Control Panel.

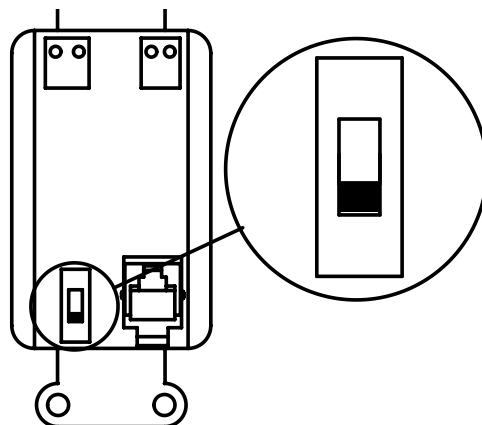
Carefully push the control center back into the tray ensuring the cables and motherboard are not damaged. Tighten panel fastening screws.

1

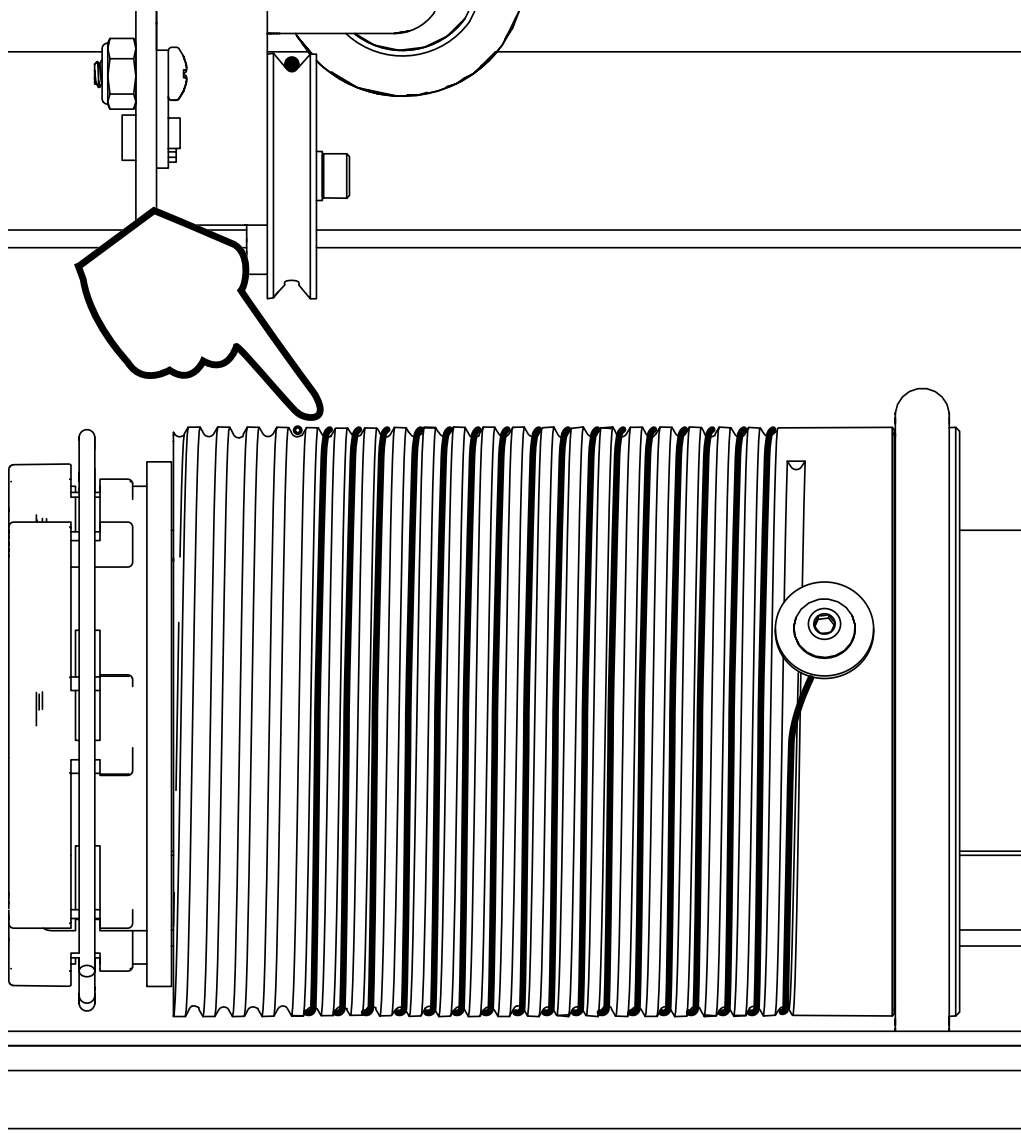


Remove the stickers labeled “*REMOVE BEFORE OPERATING*” that secure the cables to the helix inside the case.

2



On the back of the supplied wall switch, move the switch to the down position.



Make sure that the cable is wrapped correctly on both helixes as shown.

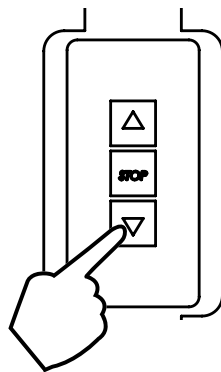
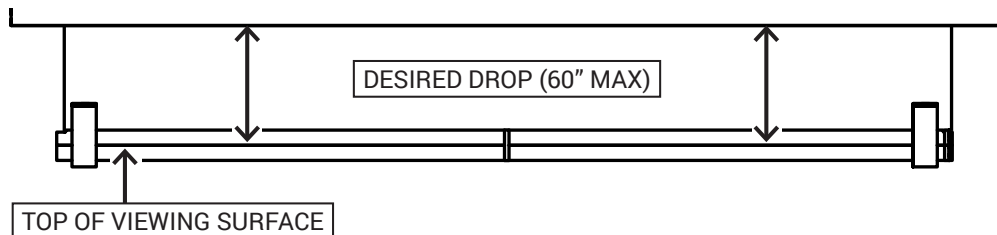


DO NOT EXCEED THE MAXIMUM DROP OF 60-INCHES (152.4 CM).




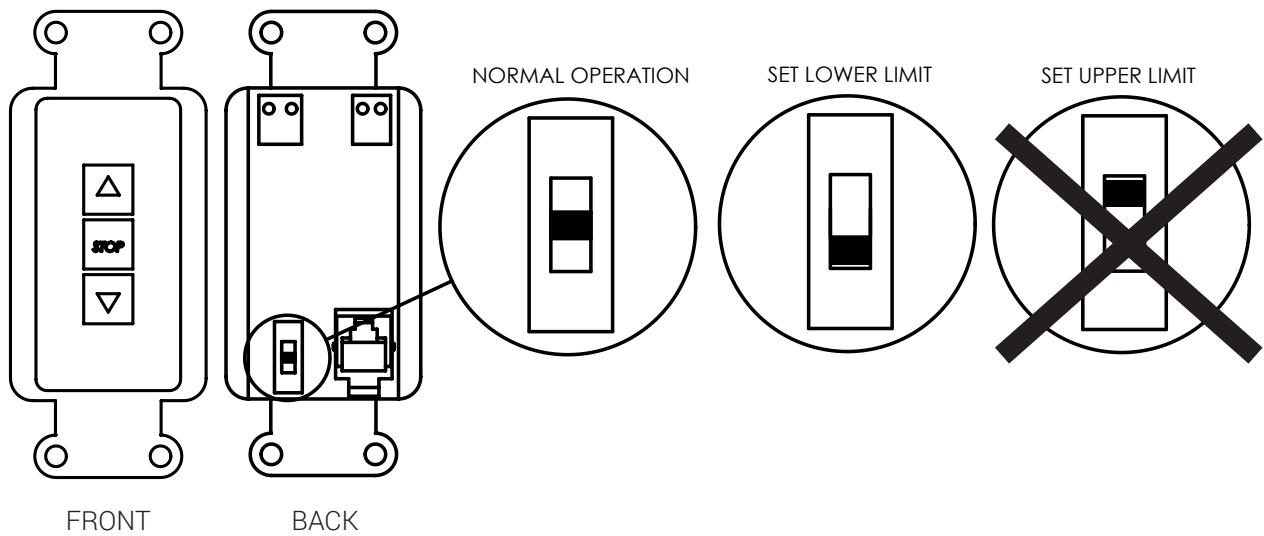
THE MOTOR IS THERMALLY PROTECTED. IF THE MOTOR STOPS RUNNING DURING SETUP, LET IT COOL DOWN FOR AT LEAST 30 MINUTES BEFORE ATTEMPTING TO RUN IT AGAIN.

3

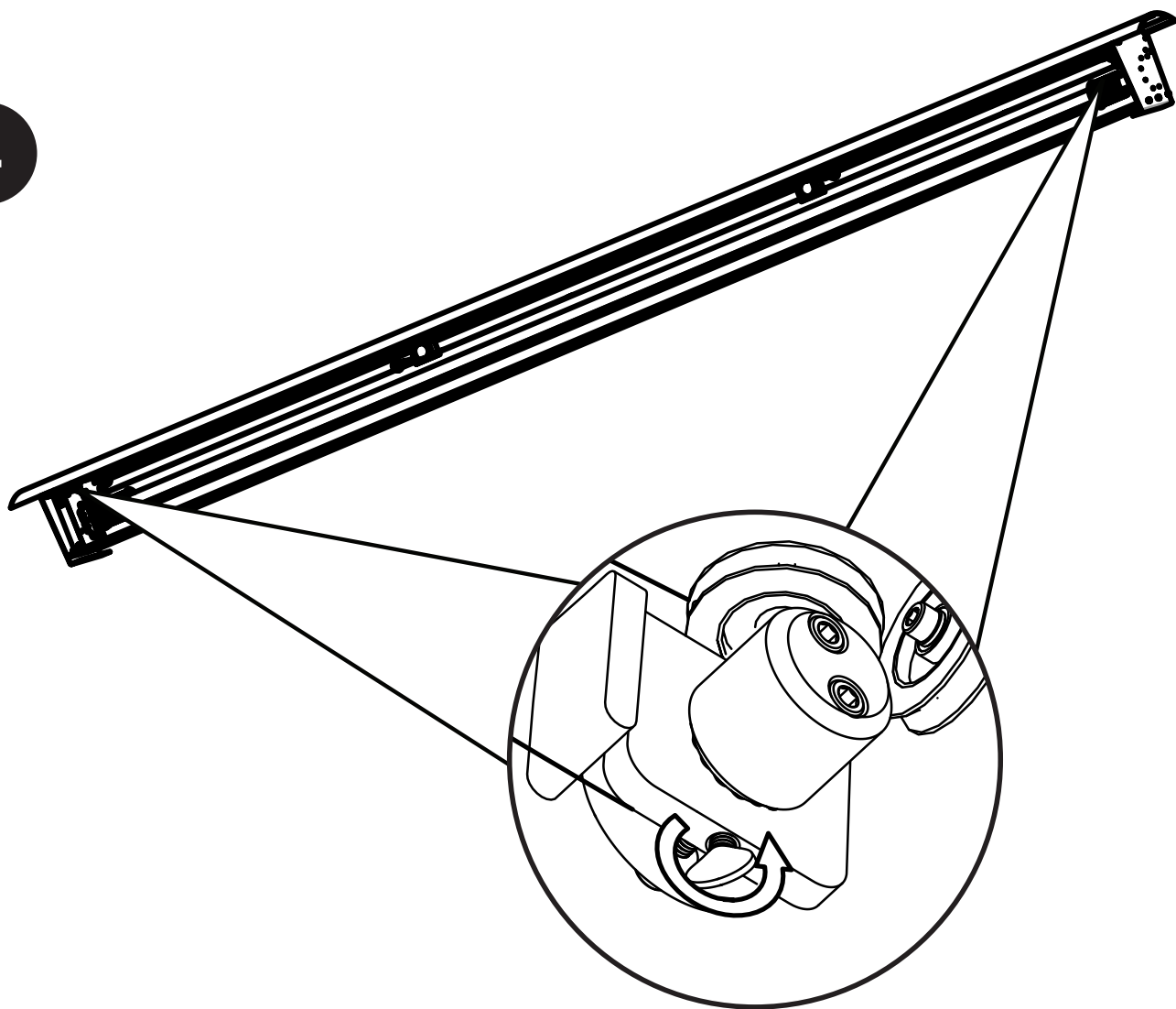


Hold the down button on the remote to drop the screen and release at the desired drop. The top of the viewing area is indicated on the protective tube. **Make sure to remove any foam remaining inside the case if it did not lower with the screen.**

 SETTING THE UPPER LIMIT INCORRECTLY COULD DAMAGE YOUR SCREEN. CONTACT SCREEN INNOVATIONS IF YOU ARE HAVING PROBLEMS WITH THE WALL SWITCH.

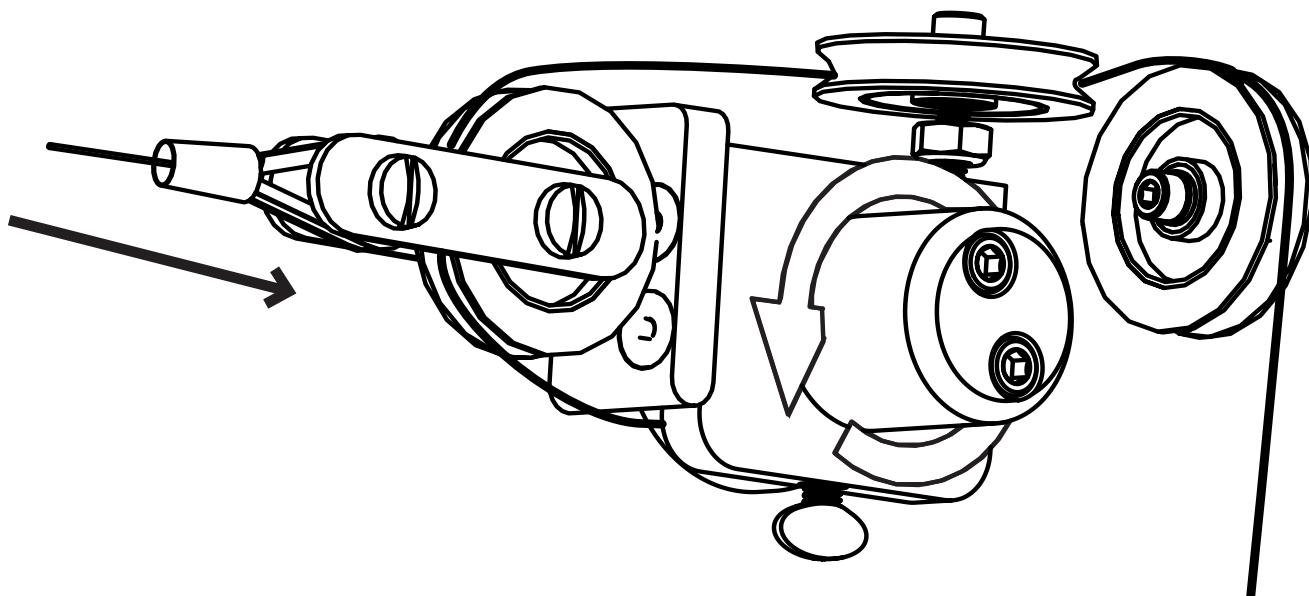


4

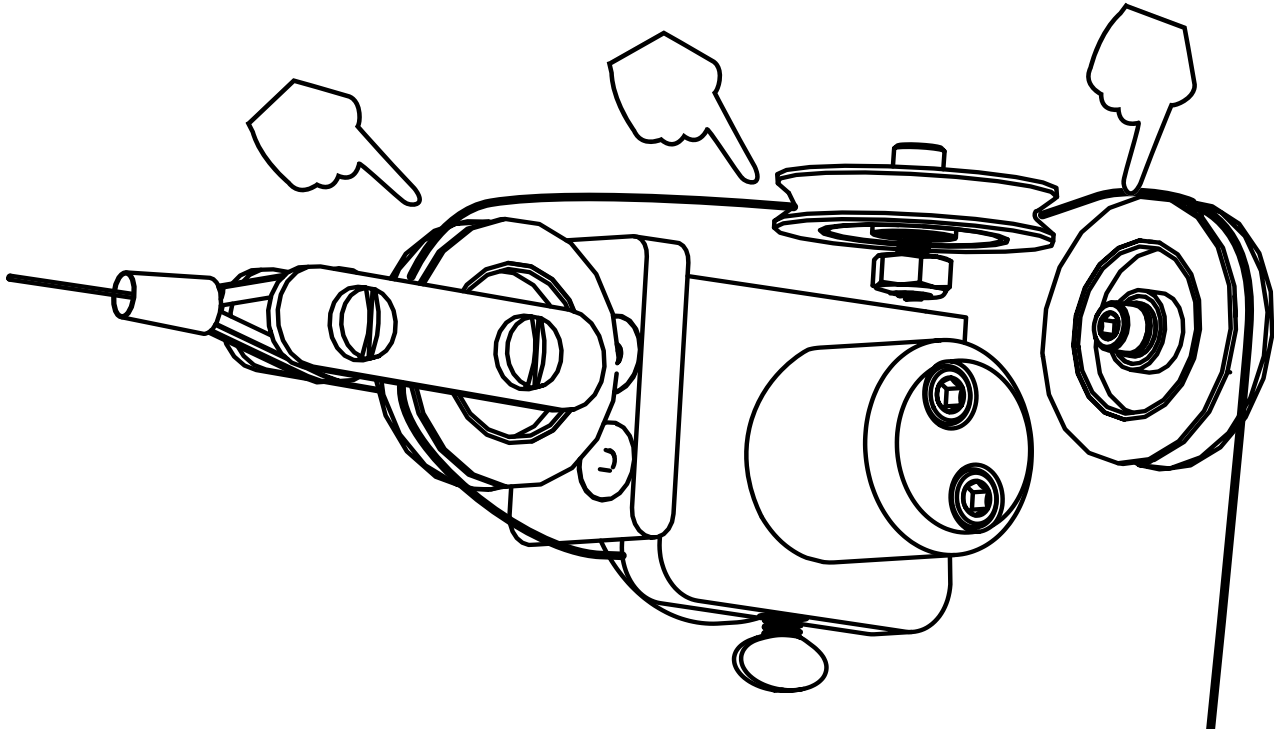


Loosen the thumb screw connected to the wing cable spool.

5



Turn the knob until the moving pulley is firmly pressed against the stopping plate.

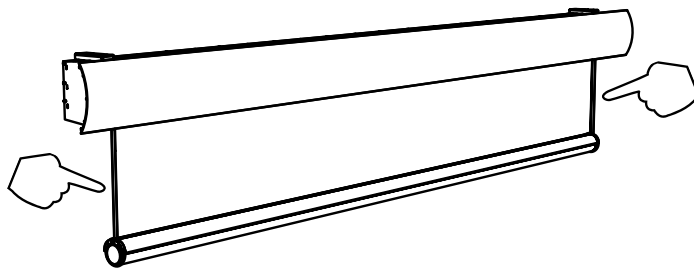
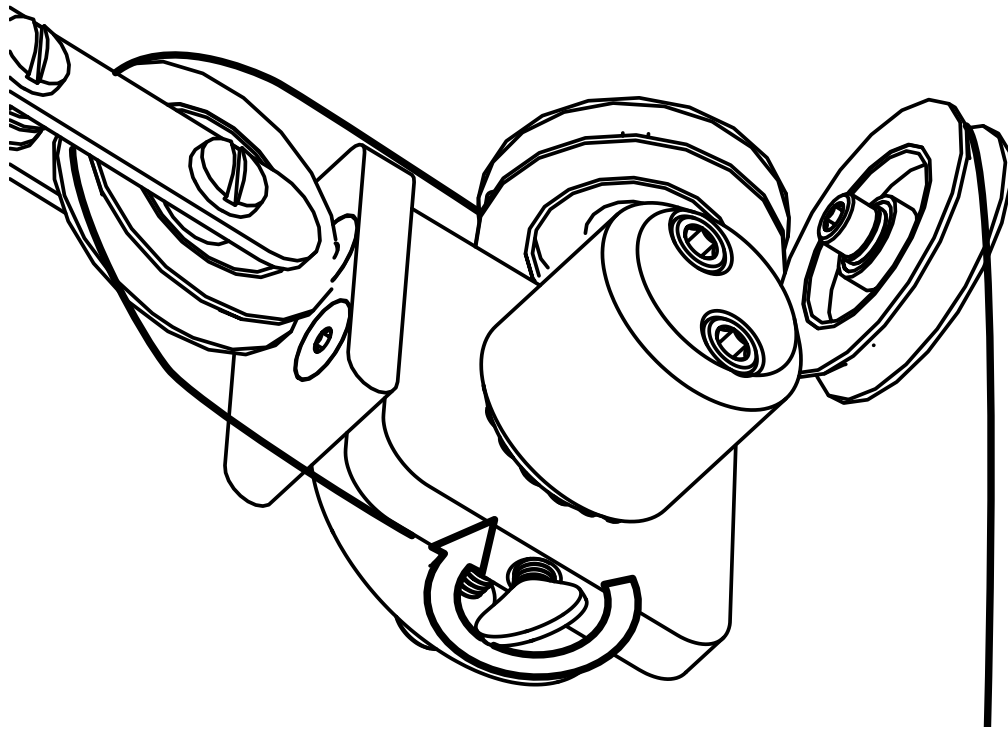


If the cable becomes loose, make sure the wing cable is still set correctly on all pulleys as shown.



THUMB SCREW MUST BE FIRMLY TIGHTENED TO PREVENT THE DROP SETTING FROM CHANGING.

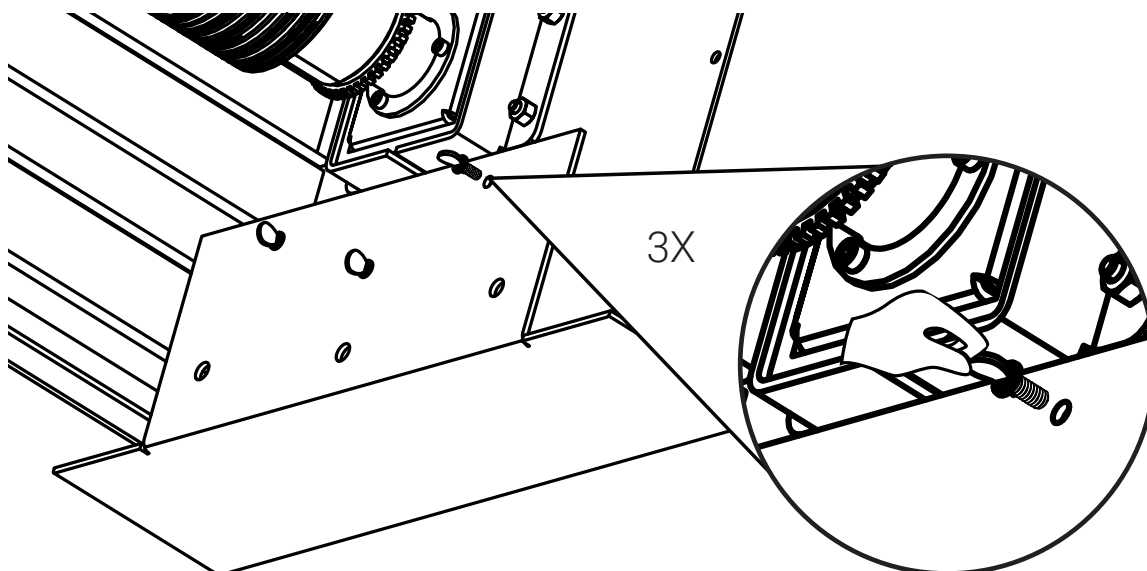
6



Make sure the wing cables both have tension on them. Tighten the thumb screw firmly to secure the wing drop setting.

Perform steps 4 through 6 on both ends of the screen.

1

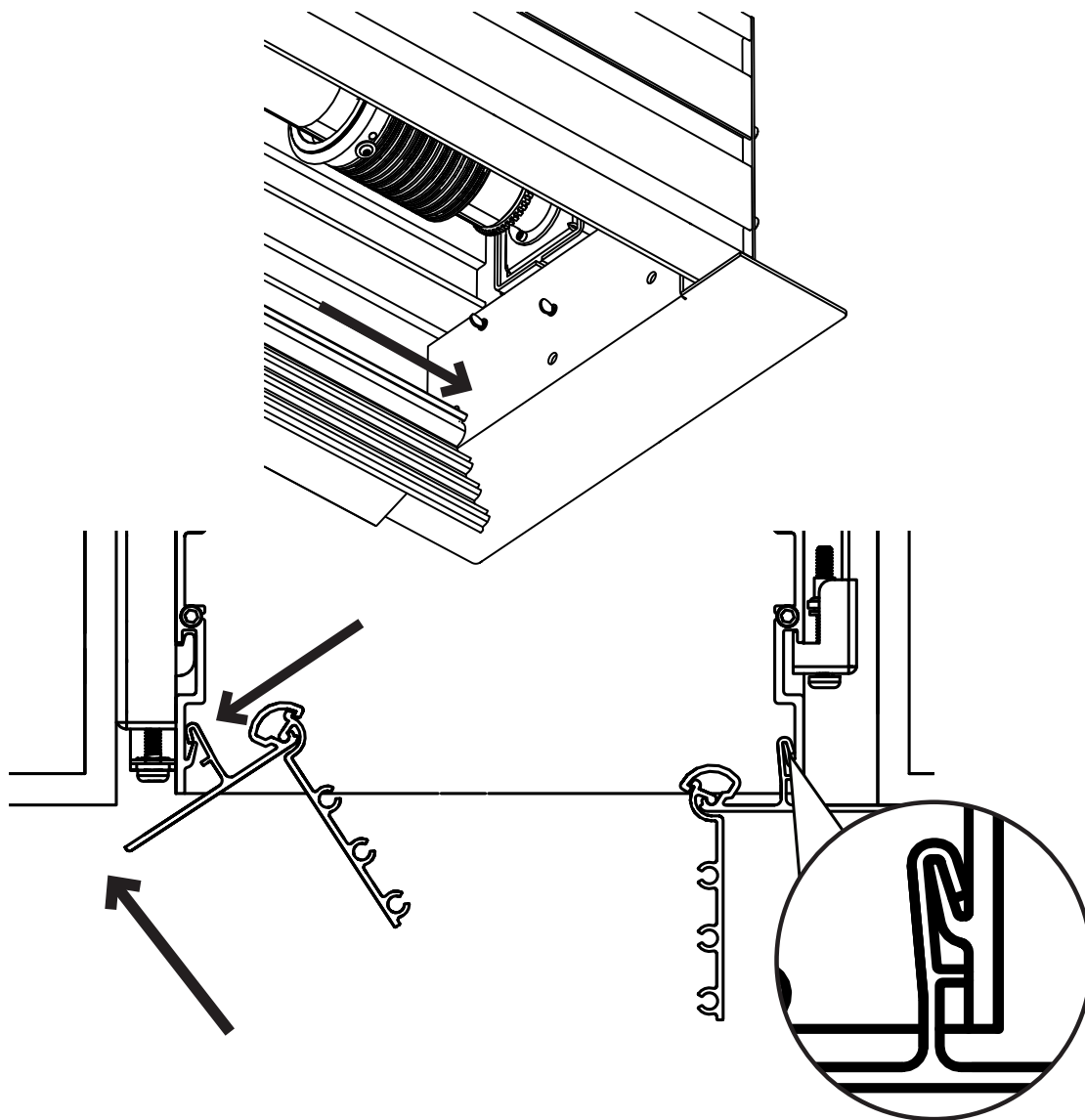


Attach the idler sidee trie piece to the right side of the case with 3 thumb screws.



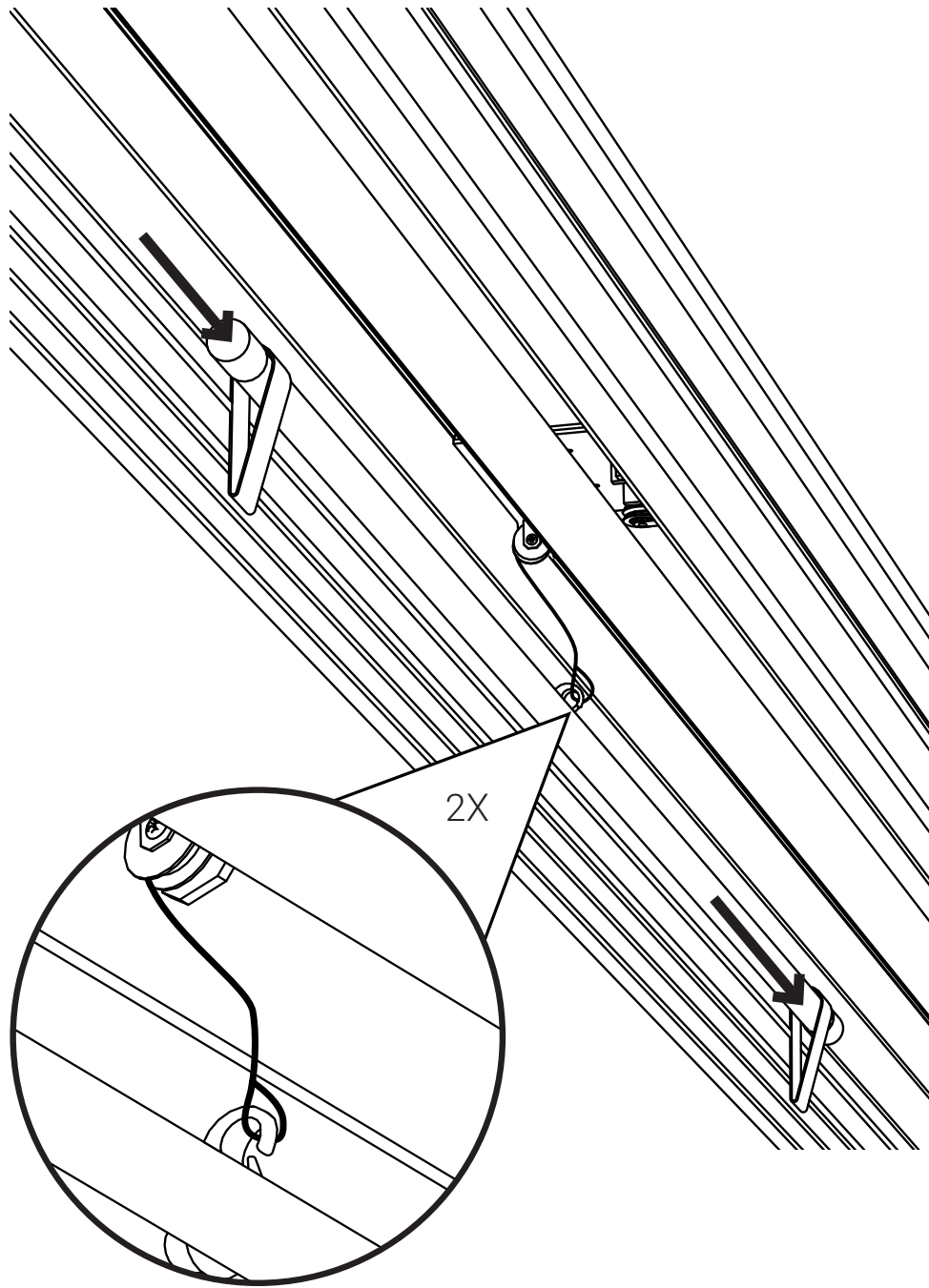
INSTALLATION REQUIRES THREE OR MORE PEOPLE. THE PRODUCT WEIGHS UP TO 225 LBS. PLEASE USE SAFE LIFTING AND RIGGING TECHNIQUES.

1



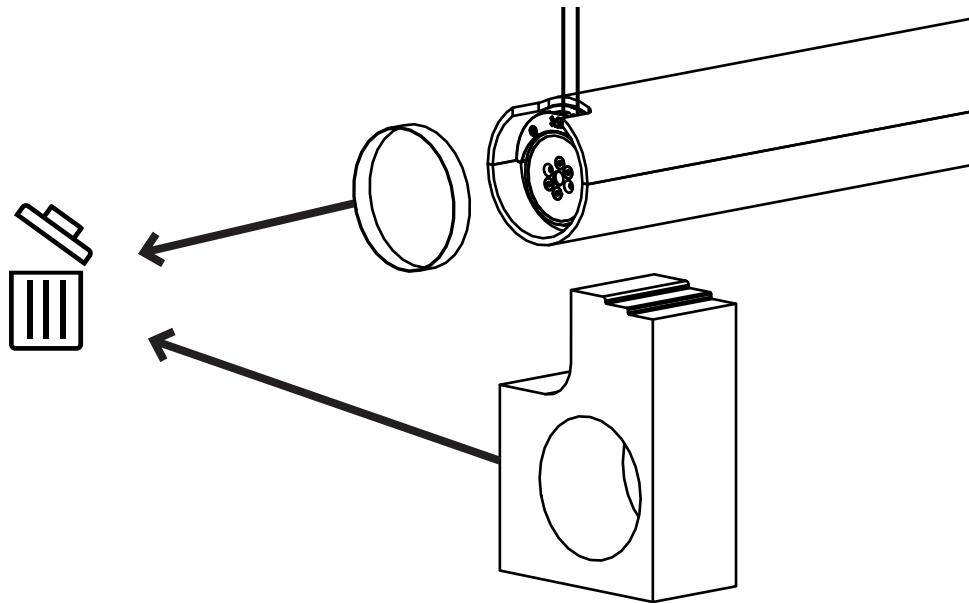
Lift the door and trim assemblies up, butt up against the right end trim and then hook into the case as shown. Ensure that the trim hooks in trim are fully seated into the tabs along the full length of the case.

2



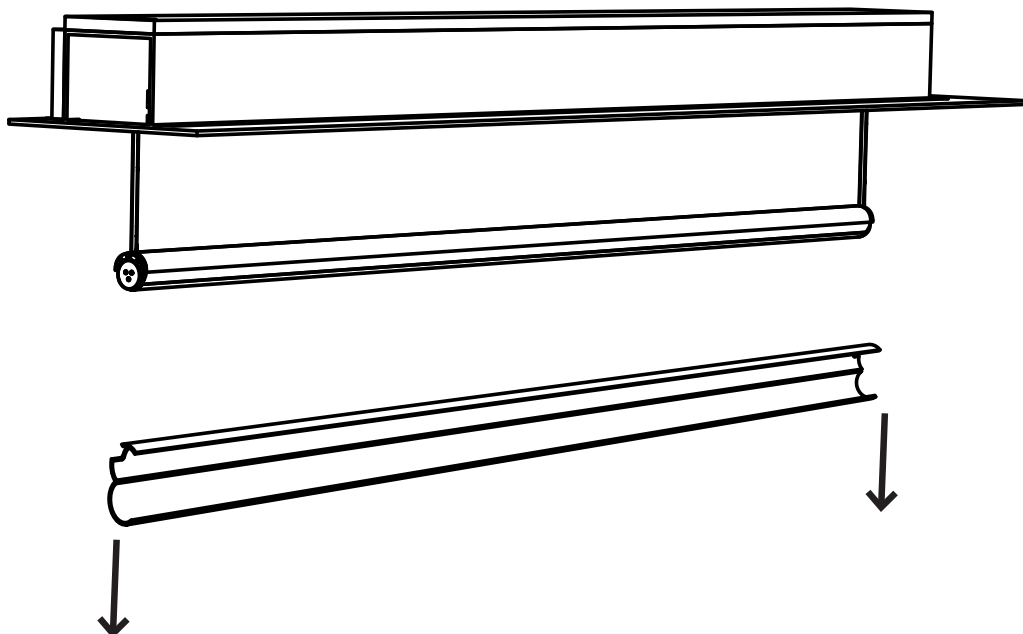
Put the lifting bars into the rubber bands then clip into the cable hanging in the middle of the case as shown.

1



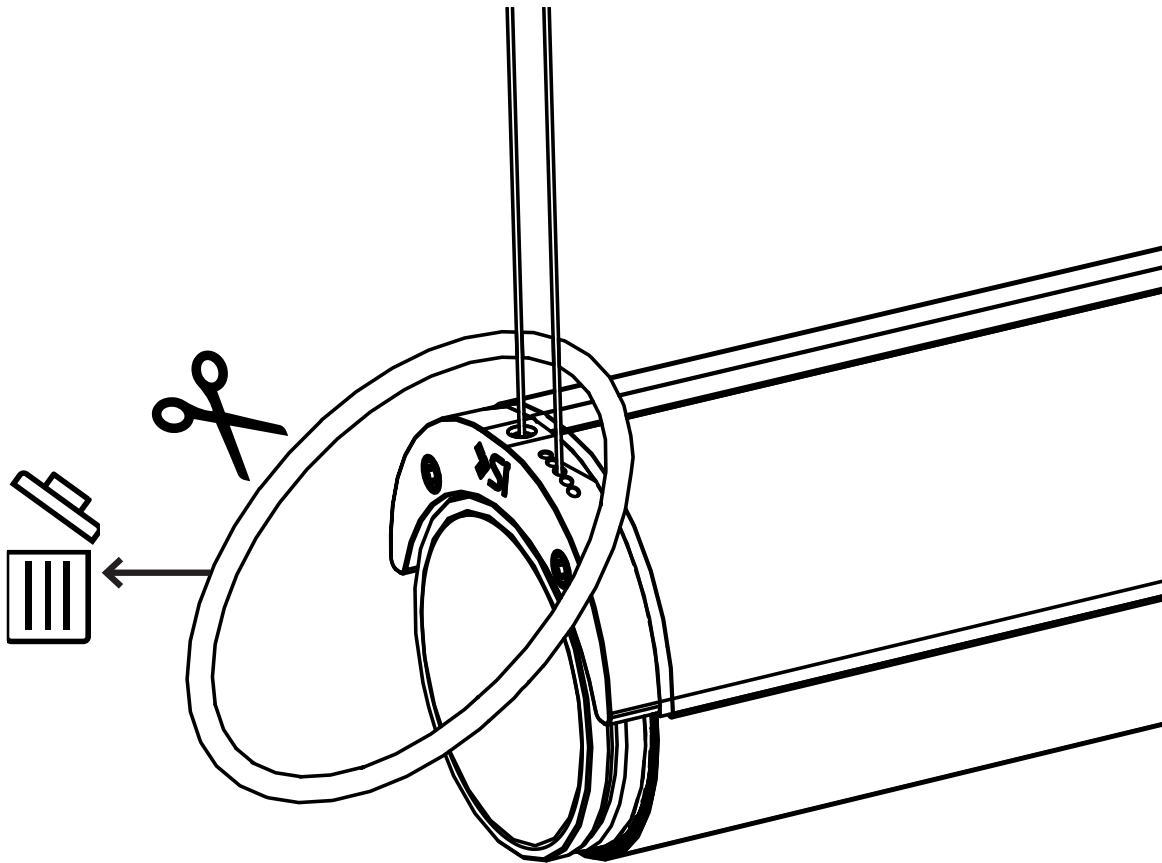
Dispose of all rubber bands, velcro, and foam.

2



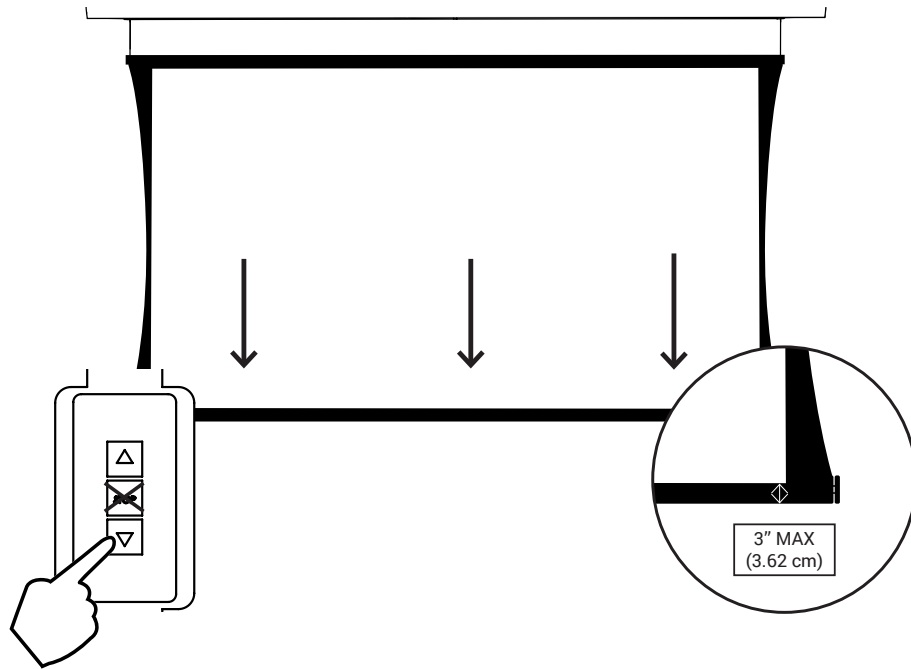
Carefully remove protective tube and foam wrapped around screen inside protective tube making sure to not damage the screen.

3



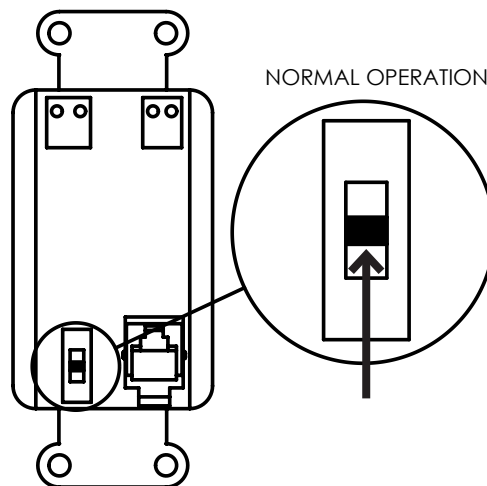
Carefully cut away rubber ring without damaging the screen material.

1



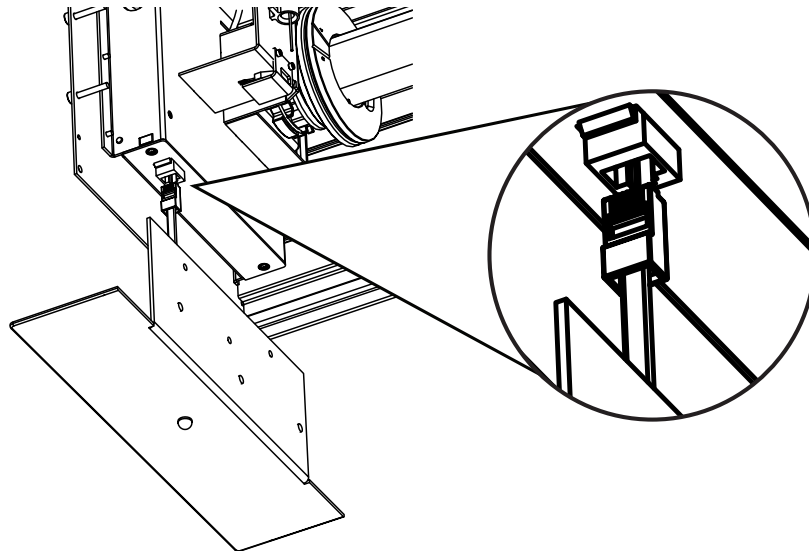
Hold the down arrow on the wall switch until the desired amount of black is showing at the bottom. Do not open the screen past 3" black showing at the bottom.

2



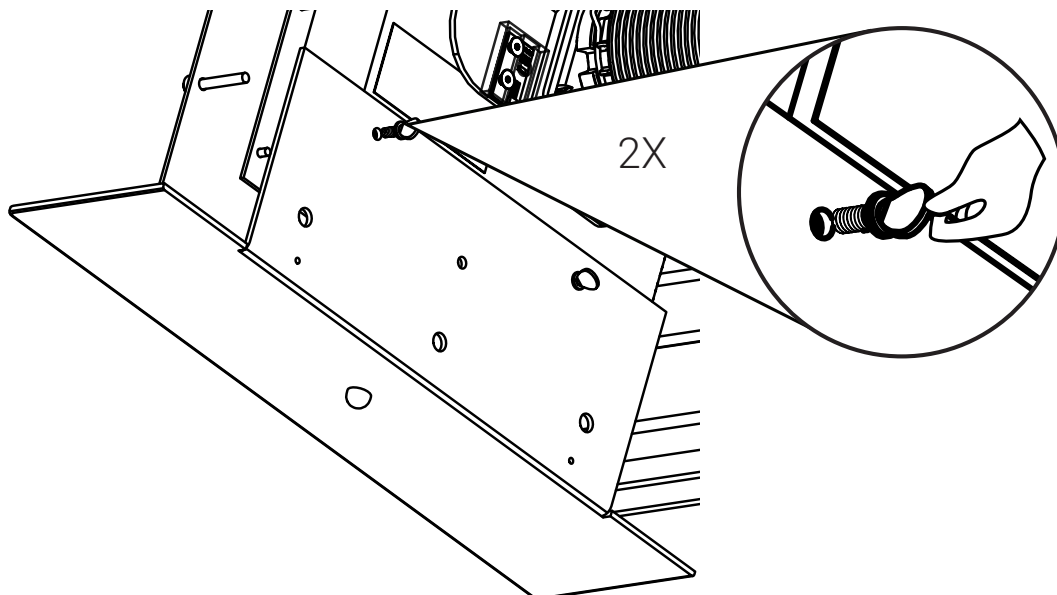
Move the switch located on the back of the controller to normal operation.

1



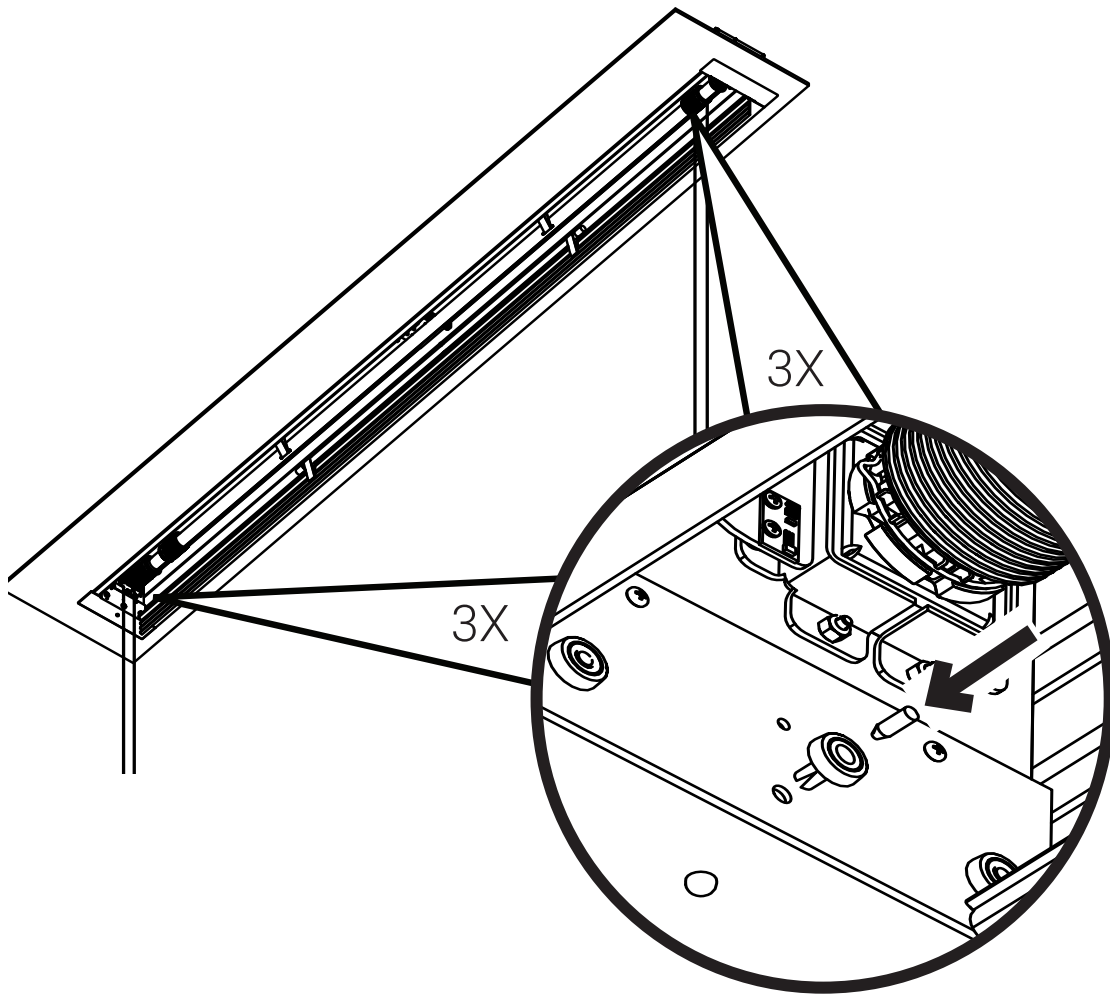
Plug the IR eye located in the motor side end trim to the RJ45 port on the bottom of the control center.

2



Attach the end trim to the case with 2 thumb screws.

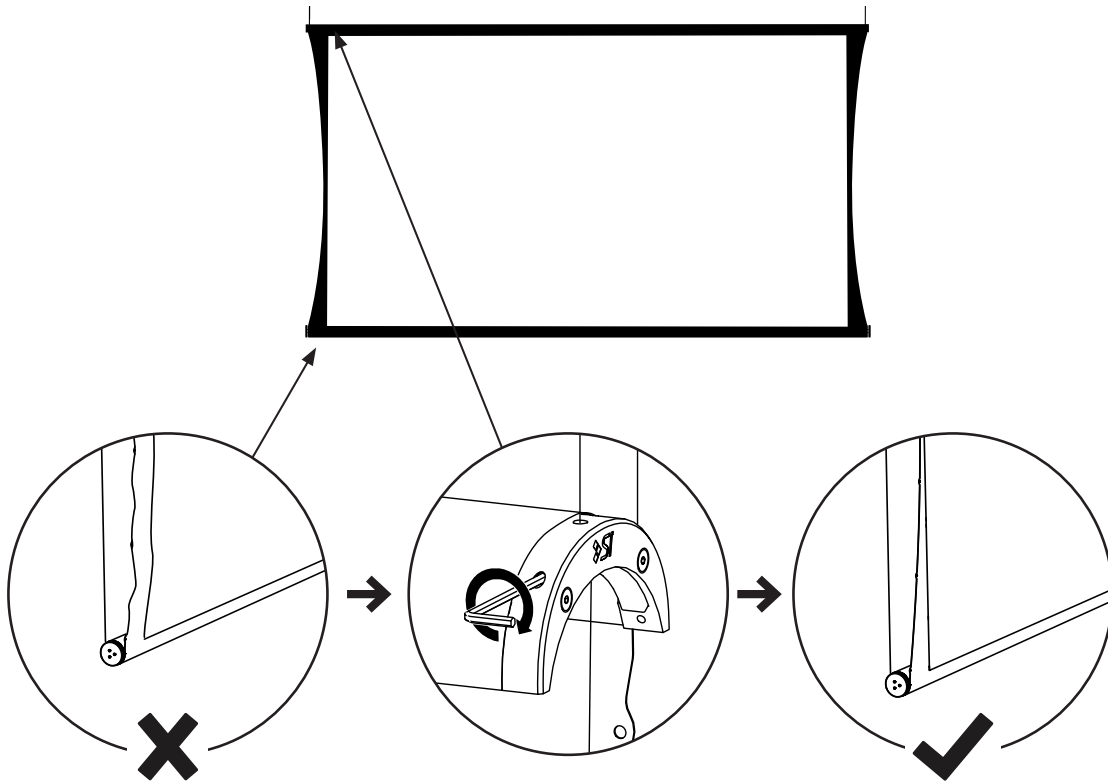
1



Push the bumpers into the holes in the trim, then secure by pressing the pin all the way in.




TURNING THE WING ADJUSTMENT SCREW COUNTERCLOCKWISE PAST THE FACTORY SET POSITION CAN RESULT IN THREADING THE SCREW OUT OF THE ADJUSTER INSIDE THE WING AND WILL BE DIFFICULT TO THREAD BACK IN.



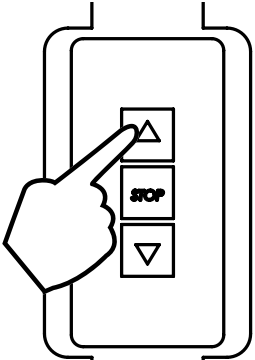
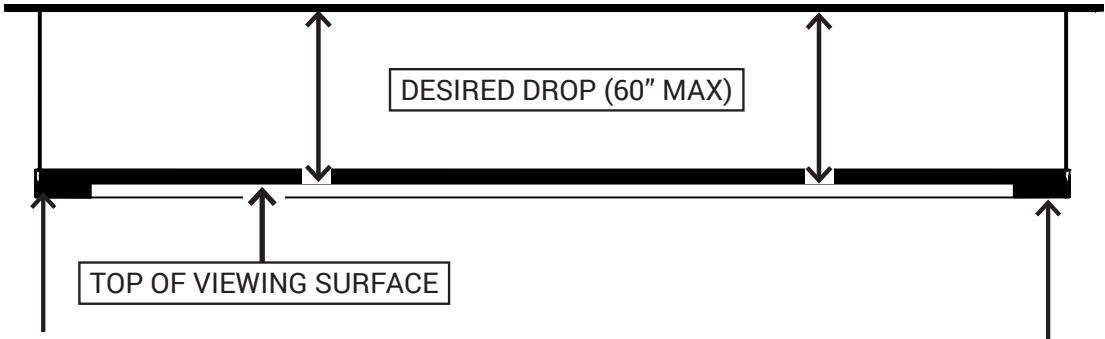
If the screen is loose on one side. Then use the included L key to turn the wing adjustment screw **CLOCKWISE** on the **LOOSE** side until the screen material tightens up to visually match the other side. As a final check measure the wing to bottom tube distance on both sides and make sure they are equal within 1/8".



IF YOU ARE HAPPY WITH THE VIEWING AREA HEIGHT THEN YOUR INSTALLATION IS COMPLETE. IF YOU NEED TO CHANGE THE HEIGHT THEN SEE THE FOLLOWING PAGES TO CHANGE THE DROP.

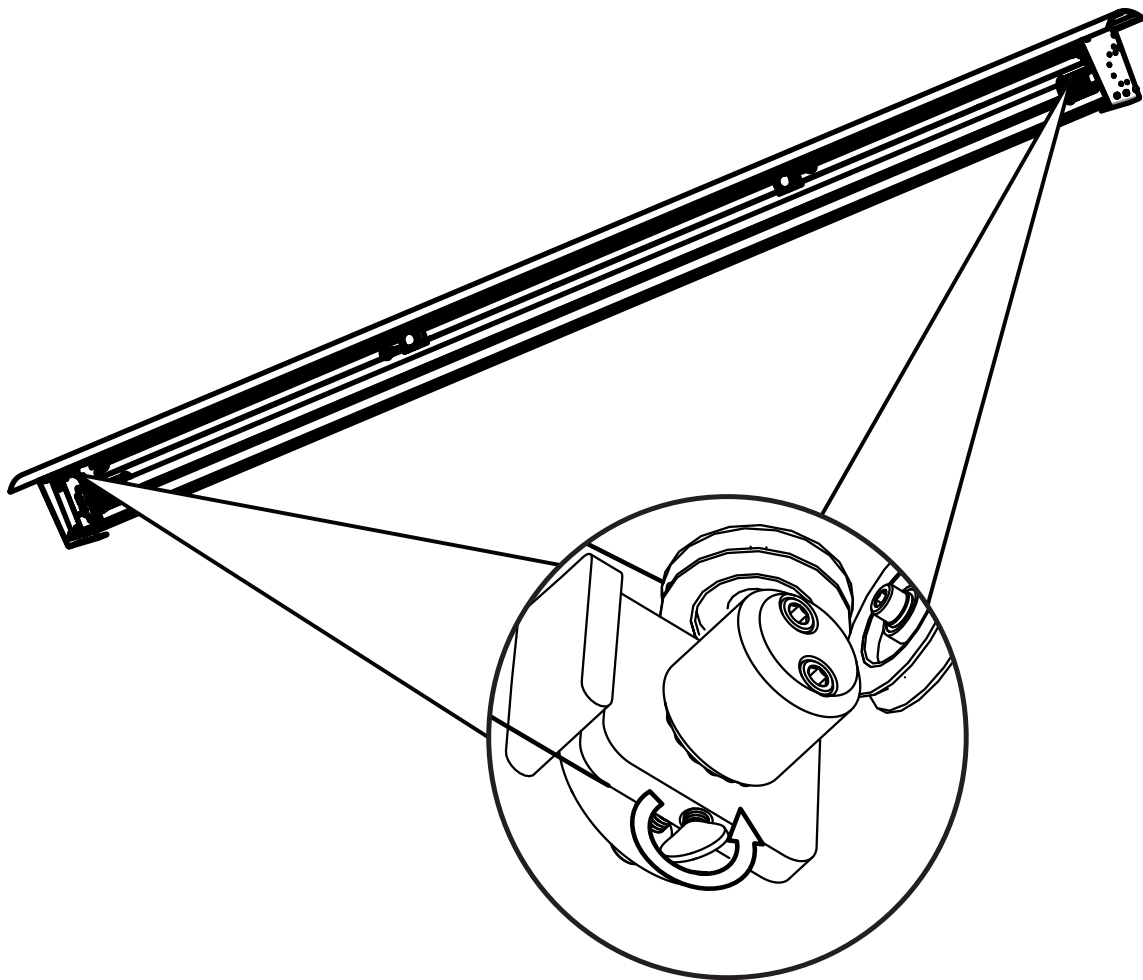
 THE MOTOR IS THERMALLY PROTECTED. IF THE MOTOR STOPS RUNNING DURING SETUP, LET IT COOL DOWN FOR AT LEAST 30 MINUTES BEFORE ATTEMPTING TO RUN IT AGAIN.

1



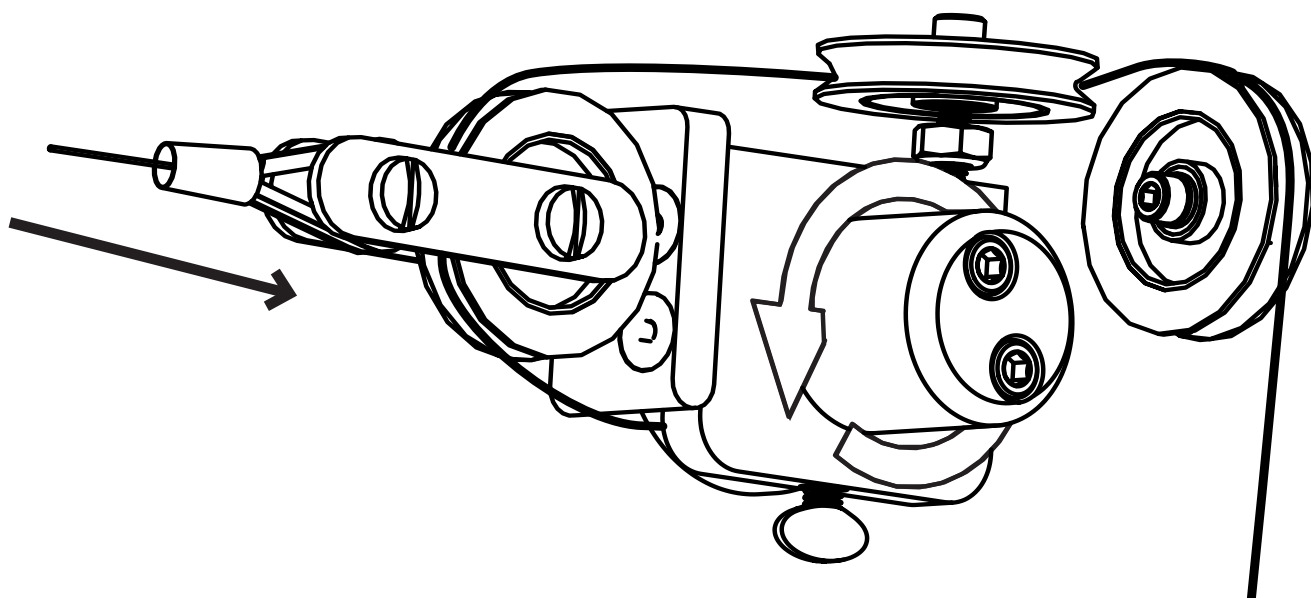
If it becomes necessary to raise the viewing area, hold the up button on the wall switch to raise the screen to the desired viewing height. Release the up button when the top of the viewing area is at the desired location.

2

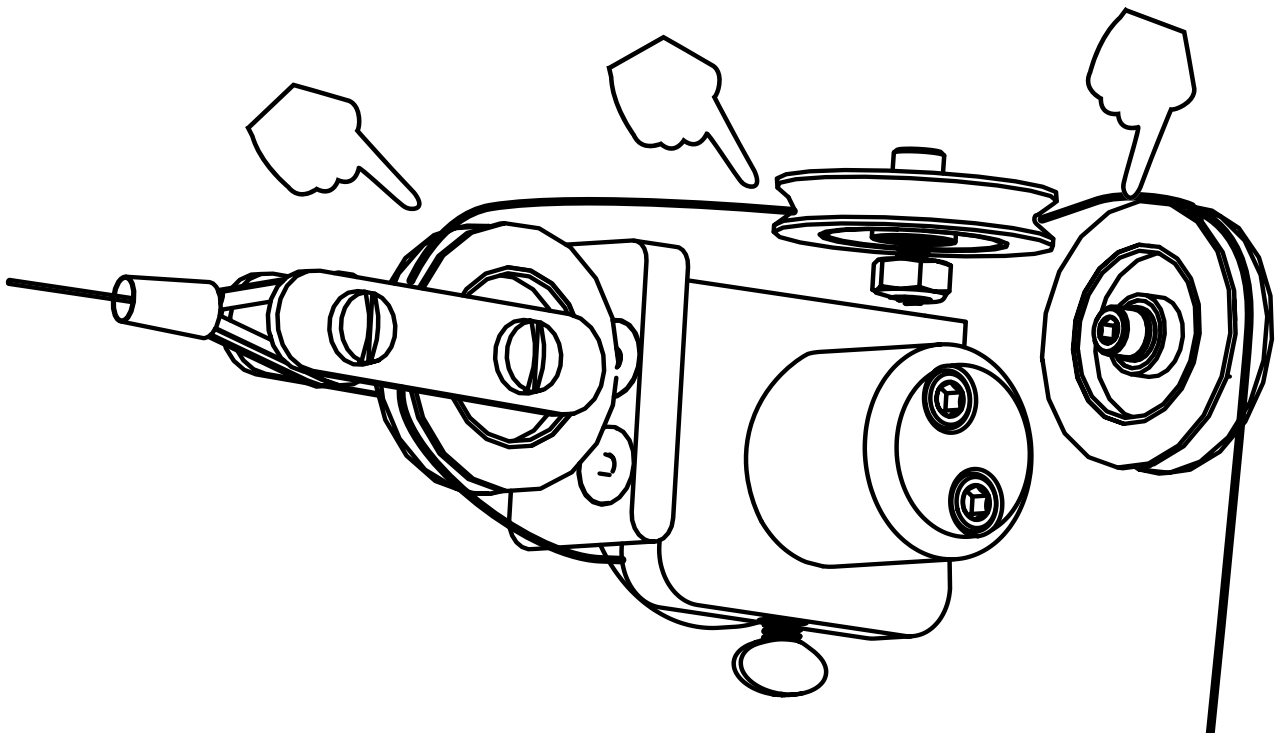


Loosen the thumb screw connected to the wing cable spool.

3



Turn the knob until the moving pulley is firmly pressed against the stopping plate.

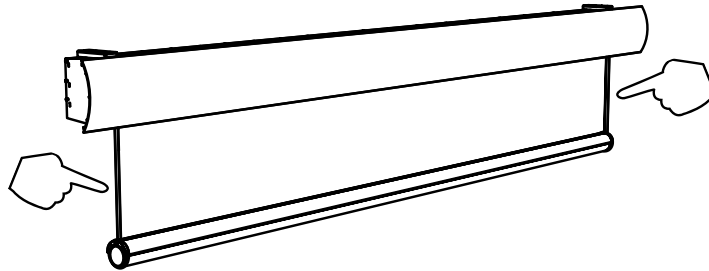
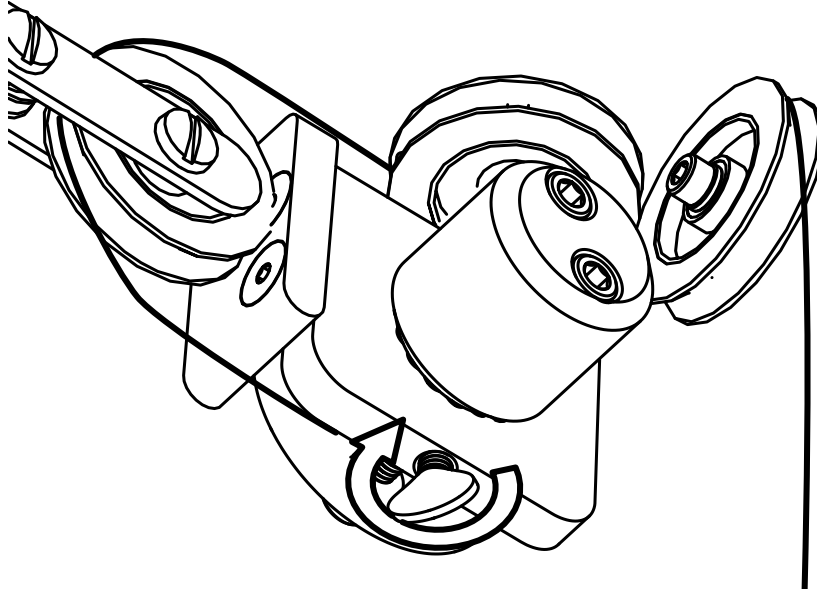


If the cable becomes loose, make sure the wing cable is still set correctly on all pulleys as shown.



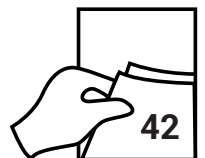
THUMB SCREW MUST BE FIRMLY TIGHTENED TO PREVENT THE DROP SETTING FROM CHANGING.

4



Make sure the wing cables both have tension on them. Tighten the thumb screw firmly to secure the wing drop setting.

Perform steps 2 through 4 on both ends of the screen.



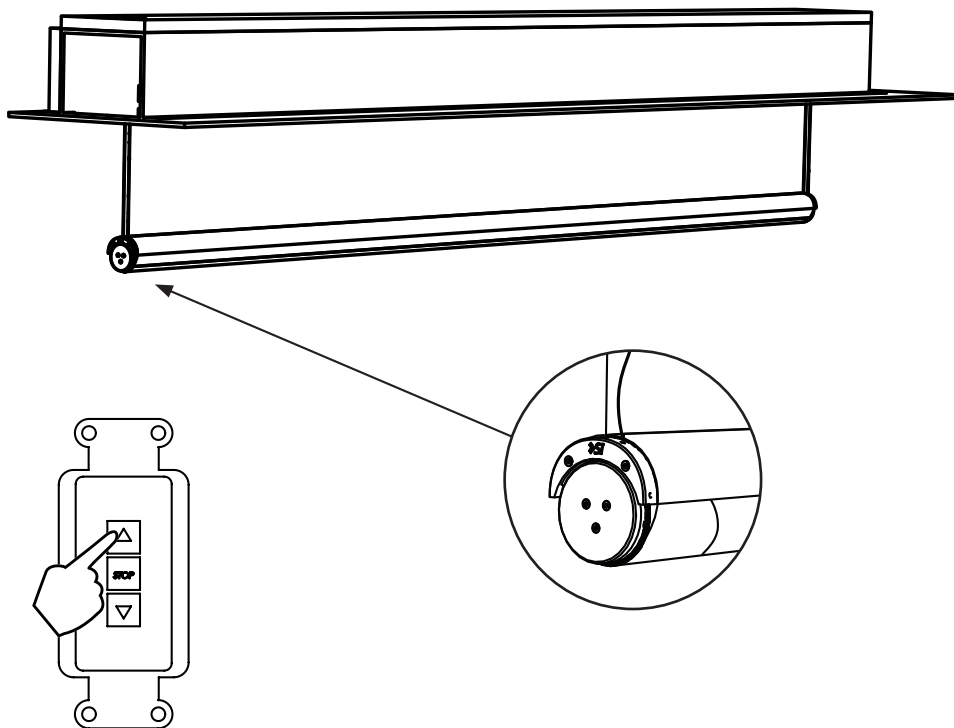


DO NOT EXCEED THE MAXIMUM DROP OF 60-INCHES (152.4 CM).



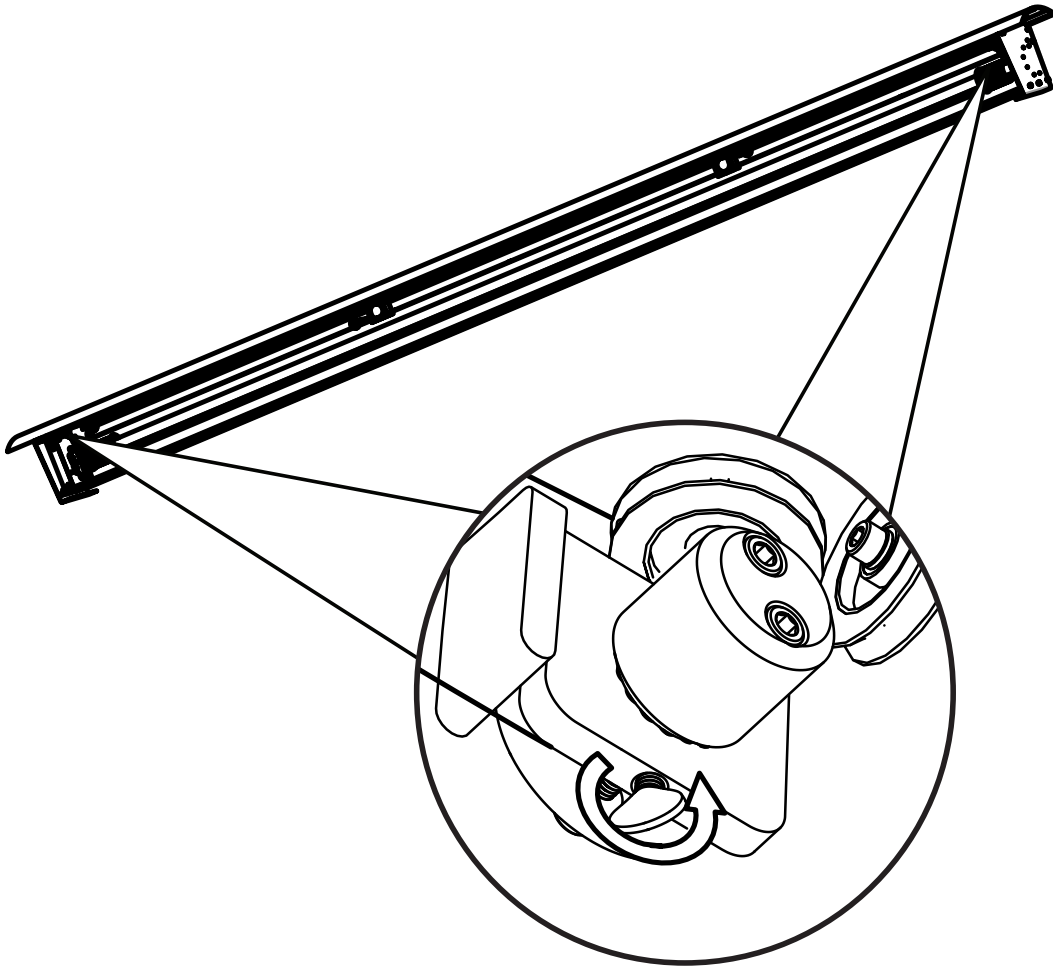
THE MOTOR IS THERMALLY PROTECTED. IF THE MOTOR STOPS RUNNING DURING SETUP, LET IT COOL DOWN FOR AT LEAST 30 MINUTES BEFORE ATTEMPTING TO RUN IT AGAIN.

1



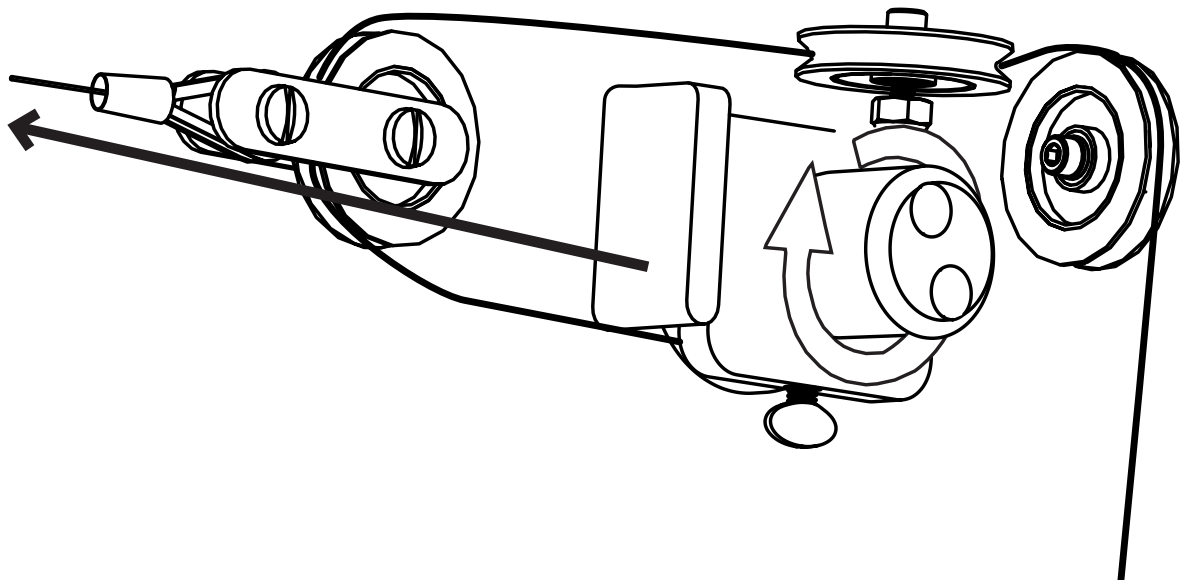
If it becomes necessary to lower the viewing area, hold the up button on the wall switch to raise until it is nested in the wing, and tension has been taken off of the wing cable.

2




Loosen 2 screws on each side 1/4 to 1/2 turn. Hold the rectangular piece when you loosen the second screw to prevent the spool from quickly unwinding.

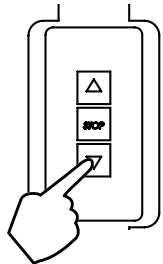
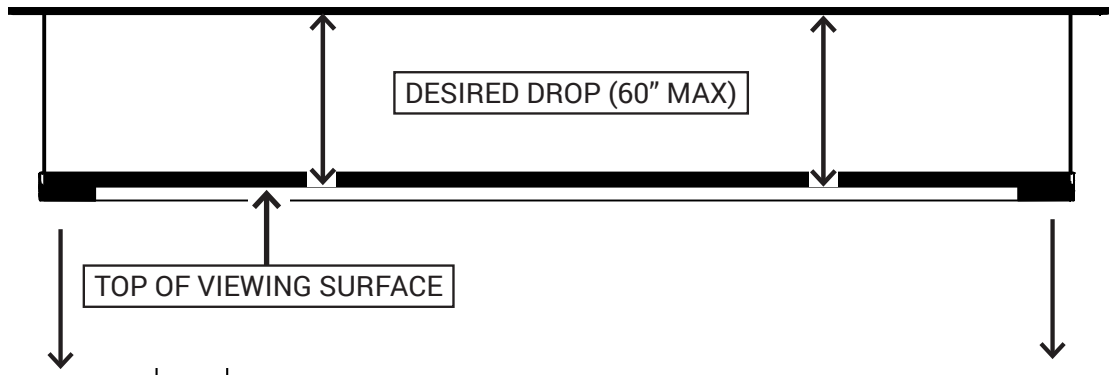
3



Turn the knob to allow the pulley to move away from the stopping block. Make sure to unwind more cable than you will need to lower the screen to the desired drop.

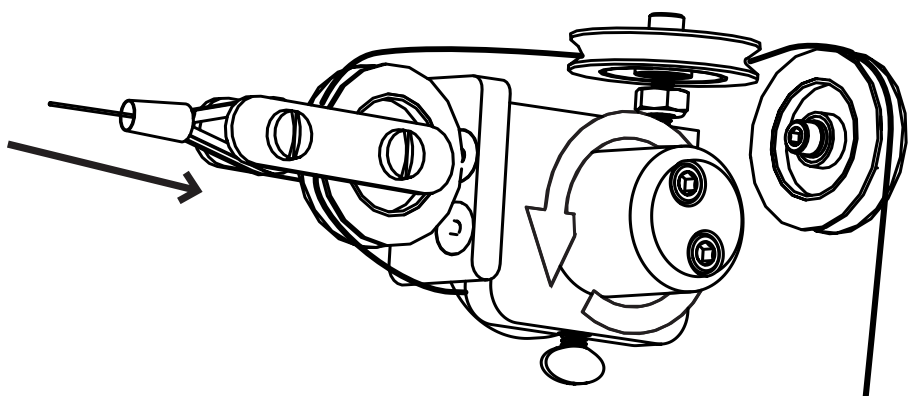
 IF YOUR SCREEN BEGINS TO OPEN ON EITHER SIDE BEFORE YOUR DESIRED VIEWING HEIGHT, GO BACK TO STEP 2 ON PAGE 31 AND RELEASE MORE WING CABLE.

4

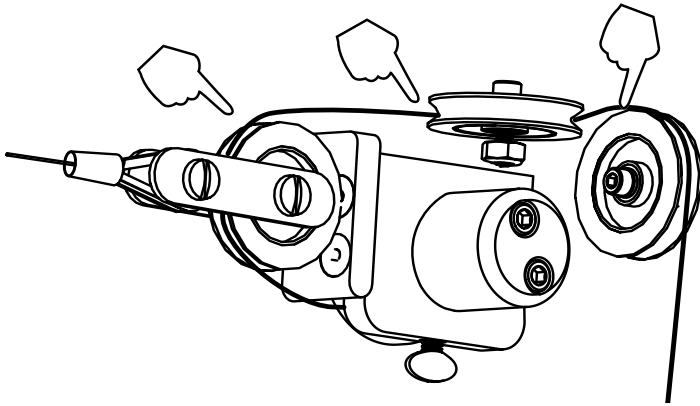


Hold the down button on the wall switch until the top of the viewing area is at the desired viewing height.

5




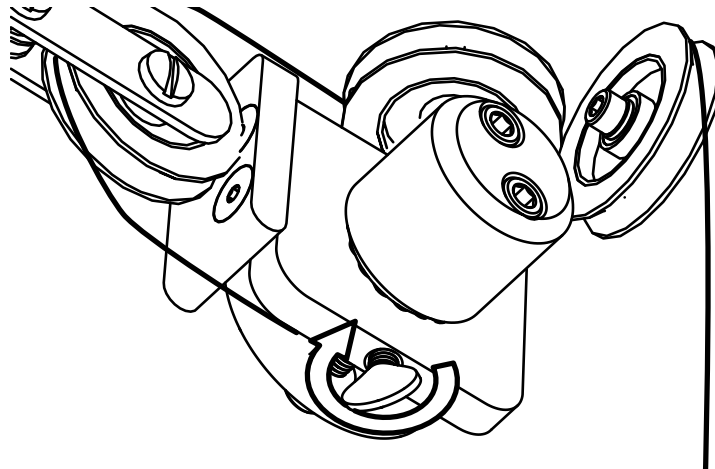
Turn the knob until the moving pulley is firmly pressed against the stopping plate.



If cable becomes loose make sure the wing cable is still set correctly on all pulleys as shown.

6

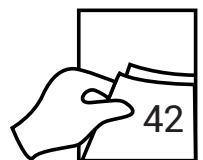
 **THUMB SCREW MUST BE FIRMLY TIGHTENED TO PREVENT THE DROP SETTING FROM CHANGING.**



Make sure the wing cables both have tension on them. Tighten the thumb screw firmly to secure the wing drop setting.

Perform steps 2 through 6 on both ends of the screen.

To reset lower limit turn to page





NEVER SCRUB, USE SOLVENTS, OR ANY ABRASIVE SUBSTANCE THAT MIGHT DAMAGE THE MATERIAL.

Slate[®] & Pure[®]

Suggested Method:

Microfiber cloth towel and distilled water applied with lightly rubbing the surface until the spot is removed.

Alternate Method:

Can be cleaned with a microfiber cloth. Mix a solution of 1oz simple green to 20ozs water. You can lightly rub the surface until the spot is removed.

Please allow 10 minutes of drying time before retracting motorized screens.

Refer to the following guidelines if you encounter a difficulty in the operation of your Screen Innovations product. Problems related to electrical or motor function may require a qualified service person or electrician.

Should you have a problem that is not addressed here, call:
Screen Innovations (512-832-6939.)

Problem Description	Probable Cause	Action to Take
Motor shuts off. Motor has been in use for more than 2 minutes.	Motor is designed for short operations(lowering and retracting), not continuous duty. Longer operation causes the motor to overheat and shutoff. This typically happens during installation when testing the screen.	Allow the motor to cool down. Complete cooling can take an hour or more. Heat gain is cumulative and takes time to dissipate. If motor use is initiated before it has cooled completely, the motor will shut down again when it reaches maximum temperature.
Dirt, fingerprints, marks, etc. on screen surface.	Improper handling of screen.	Follow the the cleaning instructions outlined in the Screen Care and Cleaning Section
Indentations appear on screen surface.	Debris or particles clinging to the screen due to static cling.	Check both sides of the screen for dust or debris. Wipe the back of the screen with a clean damp cloth. Also, lightly brush off the front of the screen.
Screen won't operate.	No AC power available.	Check to see if the circuit breaker has switched off. Reset if needed. Check outboard switching apparatus. Check voltage availability. Contact an electrician.

LIFETIME REPLACEMENT POLICY

Thank you for purchasing a genuine Screen Innovations product! We are **100%** committed to your satisfaction and welcome your feedback. Please retain this page for your records.

New SI products carry a standard 1-year parts and labor warranty. Older products are covered by our Lifetime Replacement policy.

To activate your Lifetime Replacement Policy, simply “Like” us on Facebook and/or “Follow” us on Twitter, and by all means, tell us about your SI experience! If you do not use Facebook or Twitter, you can submit your information online:

www.screeninnovations.com/forms/lifetime-replacement-policy/



 facebook.com/screeninnovations  twitter.com/siscreens



ZERO-G

NOTES:

9715-B Burnet Road Suite 400, Austin, TX 78758

Tel: 512-832-6939 Fax: 512-832-6136

www.screeninnovations.com



ZERO-G

NOTES:

9715-B Burnet Road Suite 400, Austin, TX 78758

Tel: 512-832-6939 Fax: 512-832-6136

www.screeninnovations.com