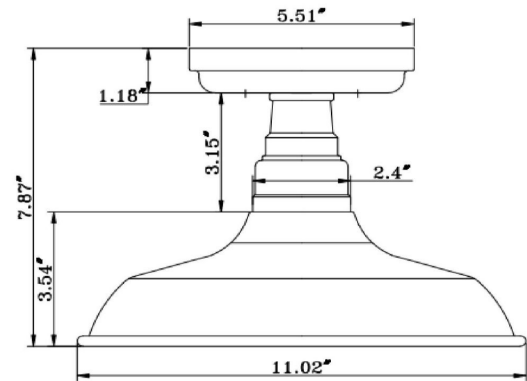


Kimball I-Light Semi-Flush Ceiling Mount Industrial Light White



SPECIFICATIONS

MOUNTING:	Semi Flush Mount	LED BRIGHTNESS (LUMENS):	N/A
SLOPED CEILING ADAPTABLE:	No	LED COLOR CORRELATED TEMPERATURE (CCT):	N/A
LAMP TYPE 1:	1 lamp 60W Incandescent A19	LED COLOR RENDERING INDEX (CRI):	N/A
BULB INCLUDED:	No	LED EFFICACY:	N/A
WATTS PER BULB:	N/A	LED AVERAGE RATED LIFE:	N/A
TOTAL WATTAGE:	60W	ENERGY EFFICIENT:	No
DIMMABLE:	Yes	LIGHTING AMPS:	N/A
MATERIAL CONSTRUCTION:	Steel	VOLTAGE:	121V
ASSEMBLED DIMENSIONS:	7.87" H x 11.02" L x 11.02" D		
WEIGHT:	1.10 lbs.		
BACKPLATE DIMENSIONS:	N/A		
CANOPY/PLATE DIMENSIONS:	5.51" H x 1.81" D		
GLASS/SHADE DIMENSIONS:	3.65" H x 11" L x 11" D		
GLASS/SHADE MATERIAL:	Steel		
GLASS/SHADE TYPE:	Metal		
GLASS/SHADE COLOR:	White		

WARRANTY:	10-Year limited warranty
UL/ETL CERTIFICATION:	cETL
WET/DRY/DAMP LISTING:	Dry
ADA COMPLIANT:	No
ENERGY STAR CERTIFIED:	No



TYPE:
JOB:
ORDER CODE:
APPROVALS: