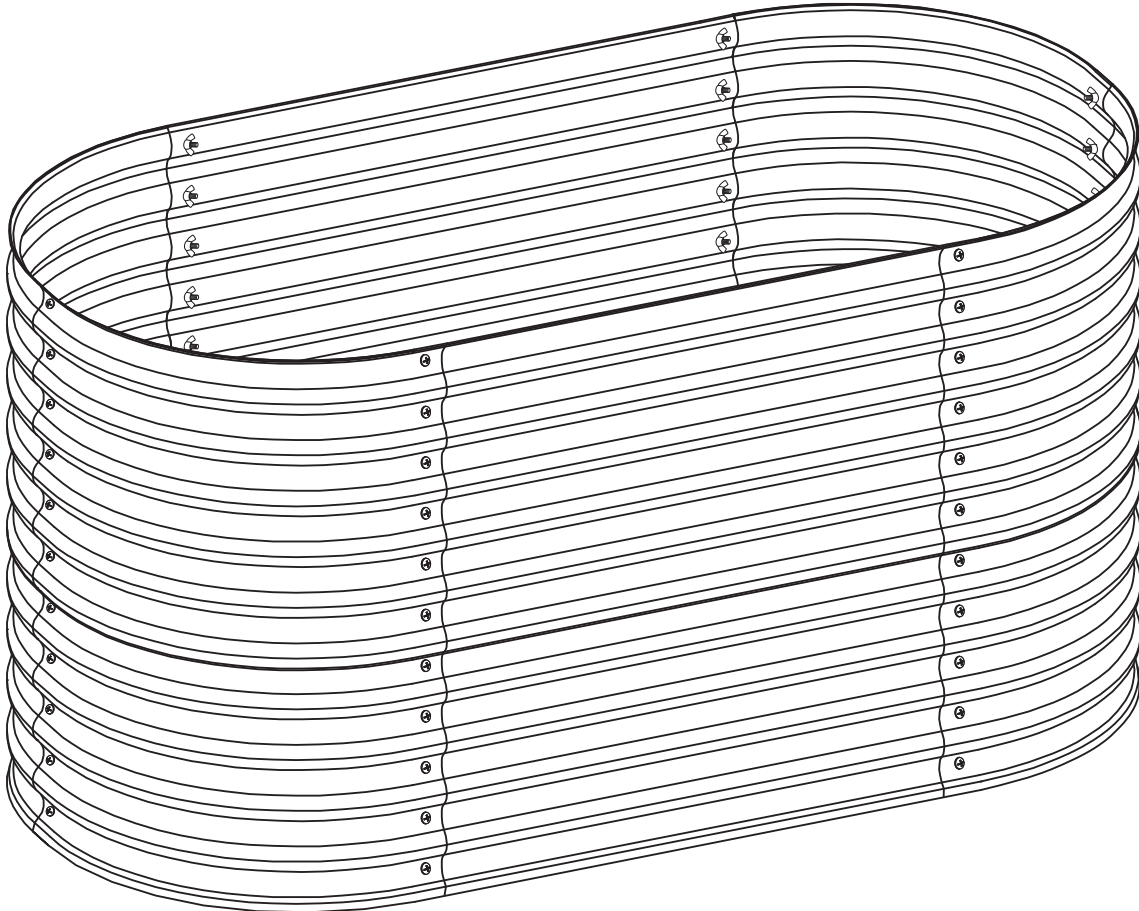


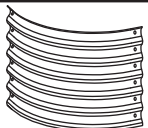
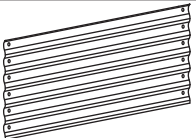




Thank you for choosing Sunnydaze Decor. We stand behind our brand and the quality of the items we sell. Replacement parts or products can be requested with the 1-year warranty period. Proof of purchase must be provided. This includes the date of the purchase as well as photos of the product defect. Photos are used to determine the cause of the defect and to provide future quality control. The request will be reviewed, and replacement pieces will be sent at our discretion. For warranty information, visit <https://tiny.cc/SunnydazeWarranty>

If you have any questions, comments or concerns, feel free to contact us by phone at 833-982-1977, by email: customerservice@sunnydazedecor.com, or via our contact us page at <https://tiny.cc/SunnydazeContact>

OVAL GALVALUME STEEL RAISED GARDEN BED

Review all assembly and care information before using this product. Save this manual for future reference.
Assemble components on a soft, clean surface to avoid damaging the finish.



No.	PARTS	QTY.
A	 End Panel	8
B	 Side Panel	4
C	 M6x25mm Bolt Set	6
D	 M6x12mm Bolt Set	66*
E	 Edge Trim	2
F	 Screwdriver	1

*Stacked Assembly: 60 sets required

*Single/Separated Assembly: 66 sets required

CAUTION: SHARP EDGES WEAR GLOVES



Inspect packaging to ensure all parts are accounted for before disposing of packing materials.
 Save the packing slip.



2-PERSON ASSEMBLY

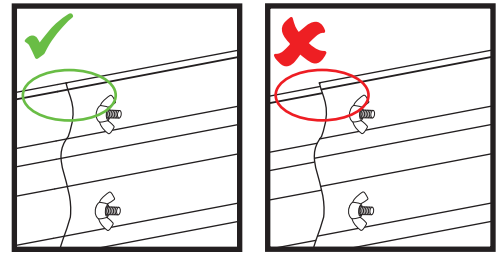
WARNING

CHOKING HAZARD — This item contains small parts that can be swallowed. Keep children and pets away during assembly.

WARNING: Manufacturer and seller expressly disclaim any and all liability from personal injury, property damage or loss, whether direct or indirect, or incidental, resulting from the incorrect attachment, improper use, inadequate maintenance, or neglect of this product.

! HELPFUL HINTS

Before assembly, lay the panels out to ensure all edges will align correctly, as shown in the drawing to the right. If the edges are offset, switch or rotate the panels until all align correctly. If the panel edges are not properly aligned, the mounting holes will be difficult to align, and the Rubber Edge Trim will not install correctly.



Do not fully tighten hardware until all components have been loosely assembled.

If hardware is tightened too soon, mounting holes may not align, and parts may not easily fit together.

STACKED ASSEMBLY

STEP 1

A: 8

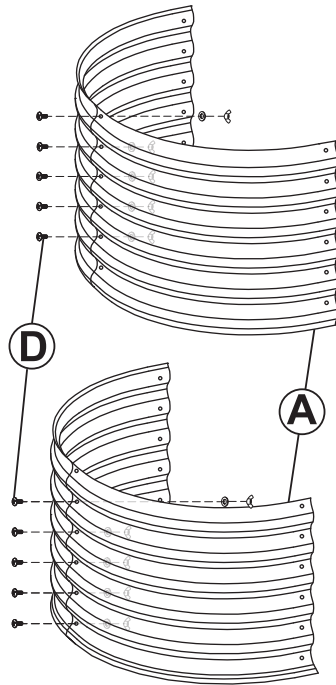
D: 20

NOTE: Read and understand the *Helpful Hints* noted above before beginning assembly.

Align the top and bottom sets of End Panels (A).

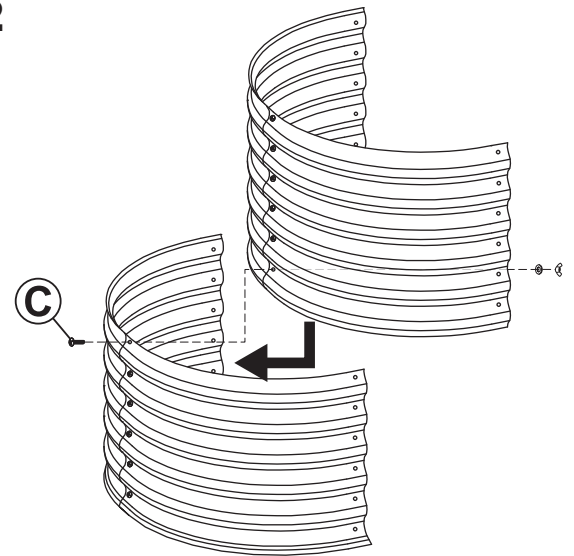
Loosely secure each panel set with five M6x12mm Bolt Sets (D) on each set.

Repeat this step to connect the remaining end panels.



STEP 2

C: 2



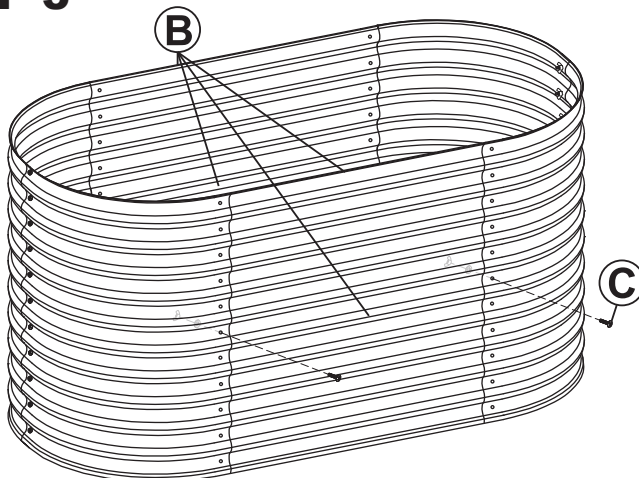
Align the top and bottom end panel sets and secure using one M6x25mm Bolt Set (C).

Repeat to connect the remaining end panels.

STEP 3

B: 4

C: 4

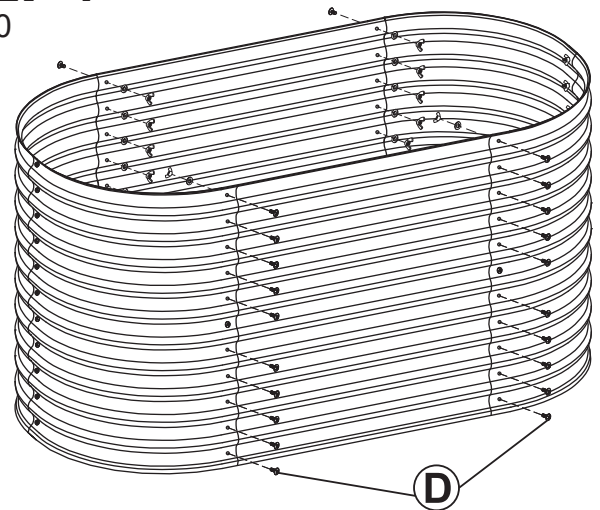


Ensuring the edges align correctly, overlap two Side Panels (B) with one side of the assembled end panels. Then, use two M6x25mm Bolt Sets (C) to fasten the center-most mounting holes, as shown.

Repeat on the opposite side of the garden bed.

STEP 4

D: 40



Use the remaining forty M6x12mm Bolt Sets (D) to finish securing the side panels.

Tighten all hardware after this step is complete.

SINGLE/SEPARATED ASSEMBLY

! HELPFUL HINTS

Align panels as noted in the Helpful Hints on page 2.

Placement of M6x25mm Bolt Sets (C), as shown in the assembly steps below, is a recommendation. Assembling one of the beds with the bolts on top will make it easier to identify the longer bolts if you decide to stack the garden beds.

STEP 1

A: 8

D: 22

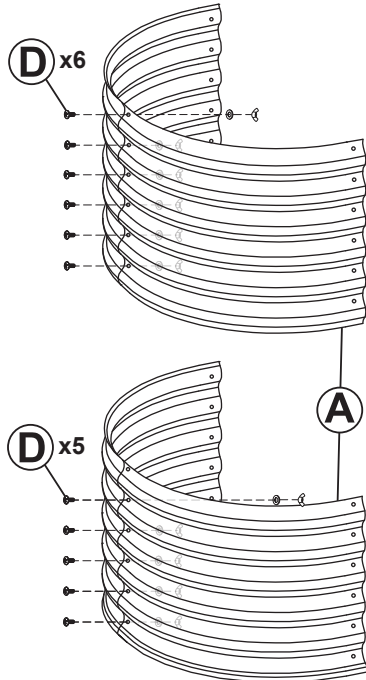
NOTE: Read and understand the *Helpful Hints* noted above before beginning assembly.

Align two sets of End Panels (A).

Loosely secure the first set using six M6x12mm Bolt Sets (D).

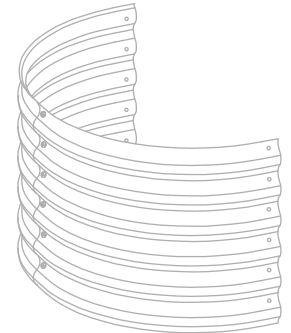
On the second set, secure the bottom five mounting holes with five M6x12mm Bolt Sets (D).

Repeat this step to connect the remaining end panels.



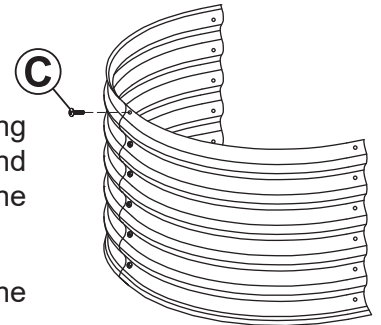
STEP 2

C: 2



Secure the top mounting hole of the second end panel set using one M6x25mm Bolt Set (C).

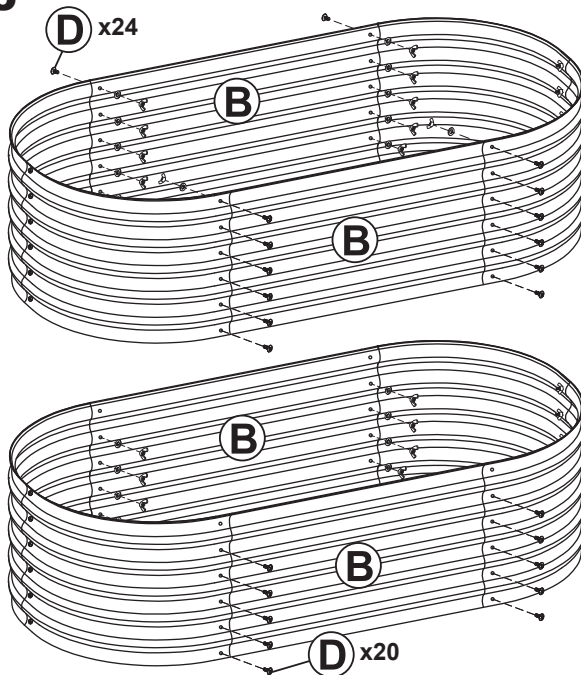
Repeat this step for the opposite end panel set.



STEP 3

B: 4

D: 44

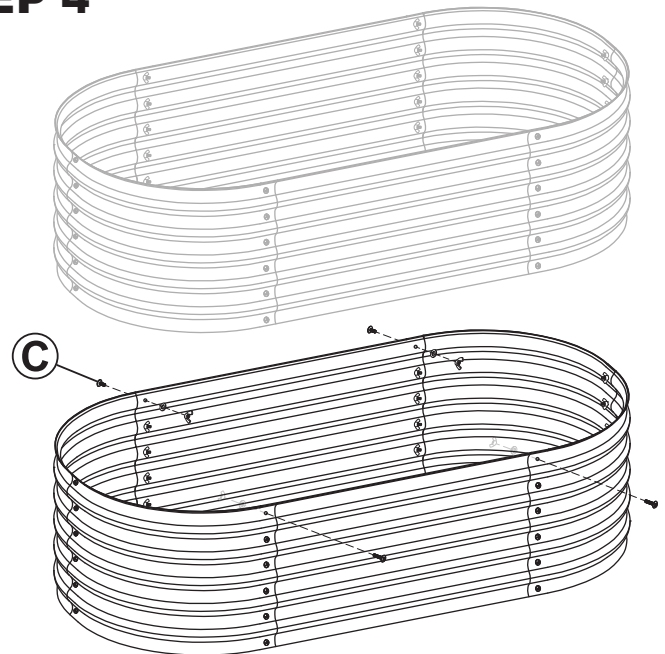


Loosely secure two Side Panels (B) to the first set of end panels using twenty four M6x12mm Bolt Sets (D).

On the second set, secure the side panels to the bottom five mounting holes with twenty M6x12mm Bolt Sets (D).

STEP 4

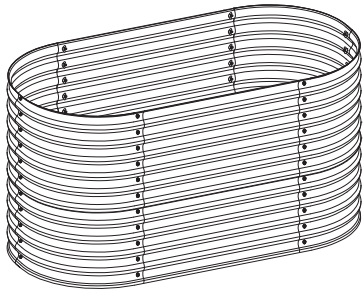
C: 4



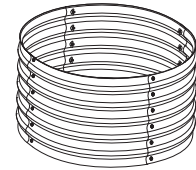
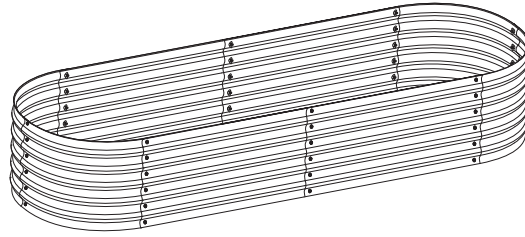
Secure the top mounting holes of the second garden bed using four M6x25mm Bolt Sets (C), as shown.

Fully tighten all hardware after this step is complete.

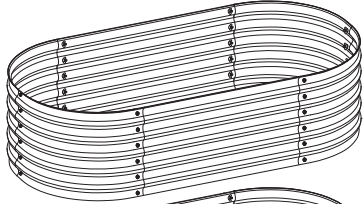
CONFIGURATION OPTIONS



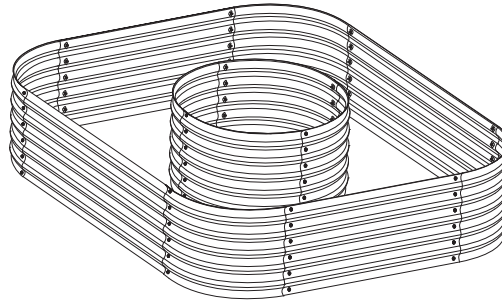
Tall Oval



Long Oval + Circle



Two Ovals



Square + Circle

EDGE TRIM INSTALLATION (optional)

Begin Installation

Firmly push Trim Edge (E) onto the top side of the garden bed.

Avoid leaving excess material as the trim edge is pressed around the top side of the garden bed.

Removing Excess Trim Material

Always use a sharp, proper cutting tool to cut trim.

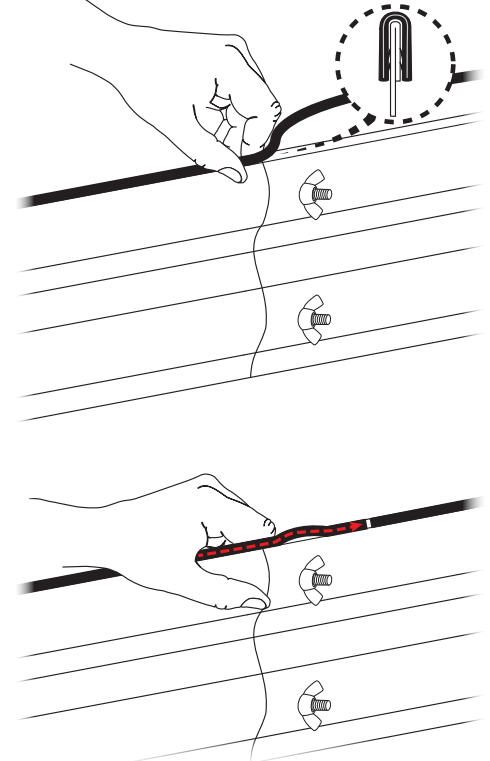
There are metal clips segments embedded into the trim. To ensure a clean cut, identify the spacing between the clips before cutting. If you do not identify the spacing, the trim may crush when making the cut.

Take care not to cut the trim too short!

Some configuration(s) will require using trim from both rolls. Measure carefully and do not trim until you are certain the length is sufficient.

Finishing Installation

Over time, all plastics will experience some shrinkage, causing your trim edges to separate. To complete the edging installation, leave a bit more material on one side and push the ends together. Press the extra material down to force more material into the application so the trim is not stretched.



Any modification to the product or failure to follow recommended care will void the product warranty.

If you experience issues with assembly or the product was damaged during shipping, please contact our customer service team through one of the methods mentioned at the top of page 1. Please have the item number and order information ready to expedite response time.

⚠️ WARNING:

Manufacturer and seller expressly disclaim any and all liability from personal injury, property damage or loss, whether direct or indirect, or incidental, resulting from the incorrect attachment, improper use, inadequate maintenance, or neglect of this product.