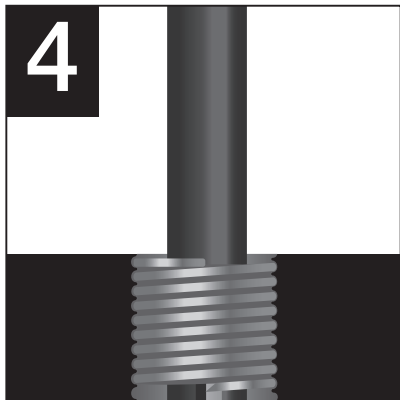
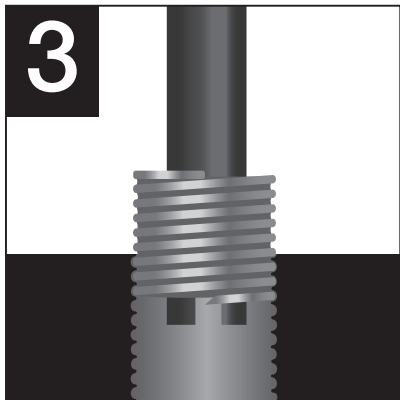
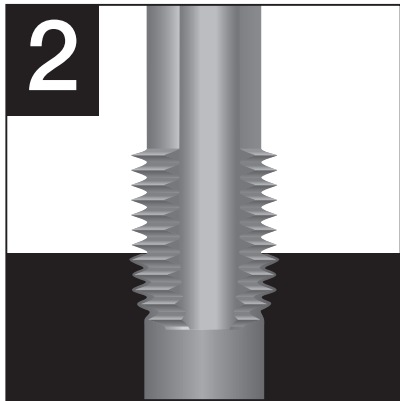
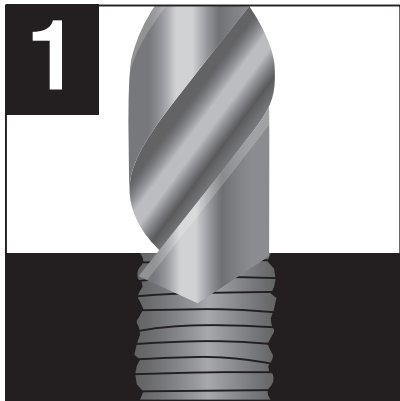


INSTRUCTIONS:

1. Drill out old threads with appropriate drill bit.
2. Tap new threads at 90° angle. DO NOT cross thread. Cutting oil is recommended
3. Clean dry new threads and install new insert.
4. Use install/punch tool or pliers to remove tang.



Visit www.wilmarllc.com for more information