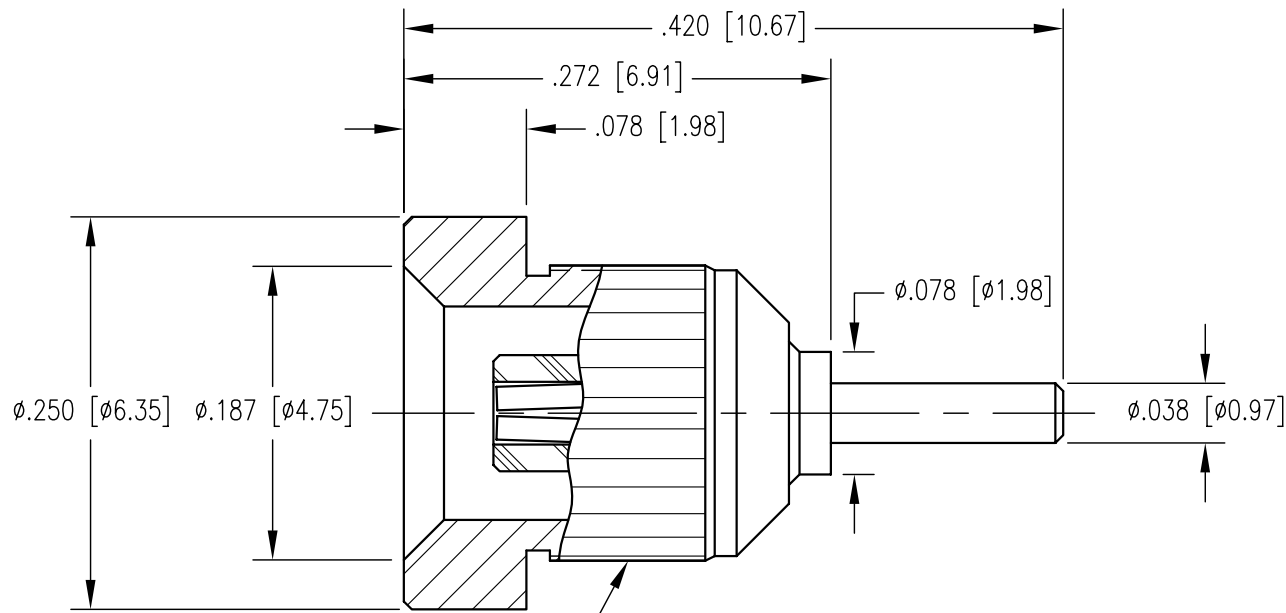
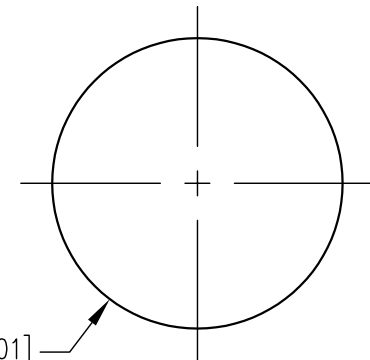


REV	DESCRIPTION	BY DATE	APPD
A	RELEASED PER ECR 7864	JED 9/24/03	JEM



$\phi.1875 \pm .0010$ [$\phi.4.763 \pm 0.025$]
OVER STRAIGHT MALE KNURL



$\phi.1850 \pm .0005$ [$\phi.4.70 \pm 0.01$]

RECOMMEN MOUNTING HOLE LAYOUT

NOTES:

- MATERIALS:
 BODY: BRASS PER ASTM B16
 INSULATOR: TEFLON PER ASTM D1710
 CENTER CONTACT: COPPER ALLOY
- FINISH:
 BODY: .000015 MIN. GOLD PER ASTM B488
 OVER COPPER FLASH
 CENTER CONTACT: .000030 MIN. GOLD PER ASTM B488
 OVER COPPER FLASH
- REMEC PART NUMBER: 700-11819-0001

PER ASME Y14.5M-1994 UNLESS OTHERWISE SPECIFIED: DIMENSIONS ARE IN INCHES [MM] TOLERANCES: DECIMALS .XX ± .01 [0.254] .XXX ± .005 [0.127] ANGLES ± 2° SCALE: 8:1		NORTHROP GRUMMAN Winchester Electronics 62 Barnes Industrial Road North Wallingford, CT 06492	
CUSTOMER DRAWING		TITLE MCX PRESS FIT RECEPTACLE	
DRAWN MJF	DATE 3/1/01	CHECKED JED	DATE 3/2/01
APPROVED JEM	DATE 3/2/01	APPROVED KJT	DATE 3/2/01
A		SD451-000-0044J	SHT. OF REV. 1 1 A