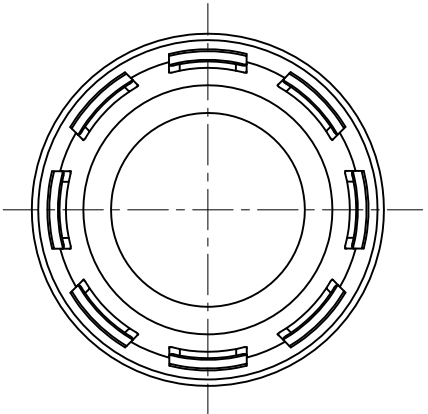
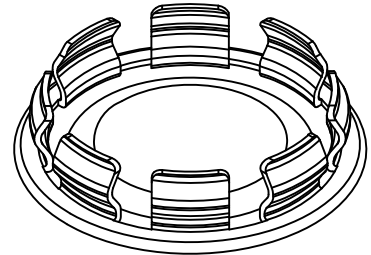
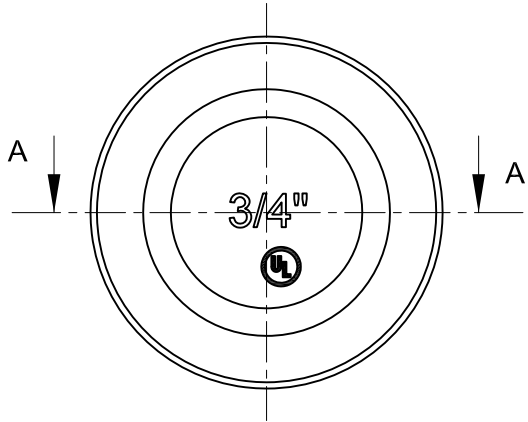
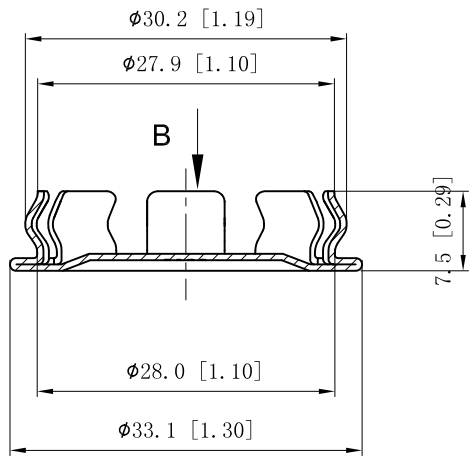


SIDES	BOTTOM
Material:Steel-0.023"-Galvanized Steel	



VIEW B



VIEW A-A

This data sheet is for reference only .GARVIN INDUSTRIES reserves the right to make changes to the design without prior notice.

DESCRIPTION
TRADE REFERENCE TERMS

STANDARD PACKING	GARVIN INDUSTRIES		
100/1000 PCS			
TITLE	"SNAP-IN" KNOCKOUT SEALS		
SIZE	DWG NO.	SNAP75	REV
A4			A
DATA SHEET			
www.garvinindustries.com			