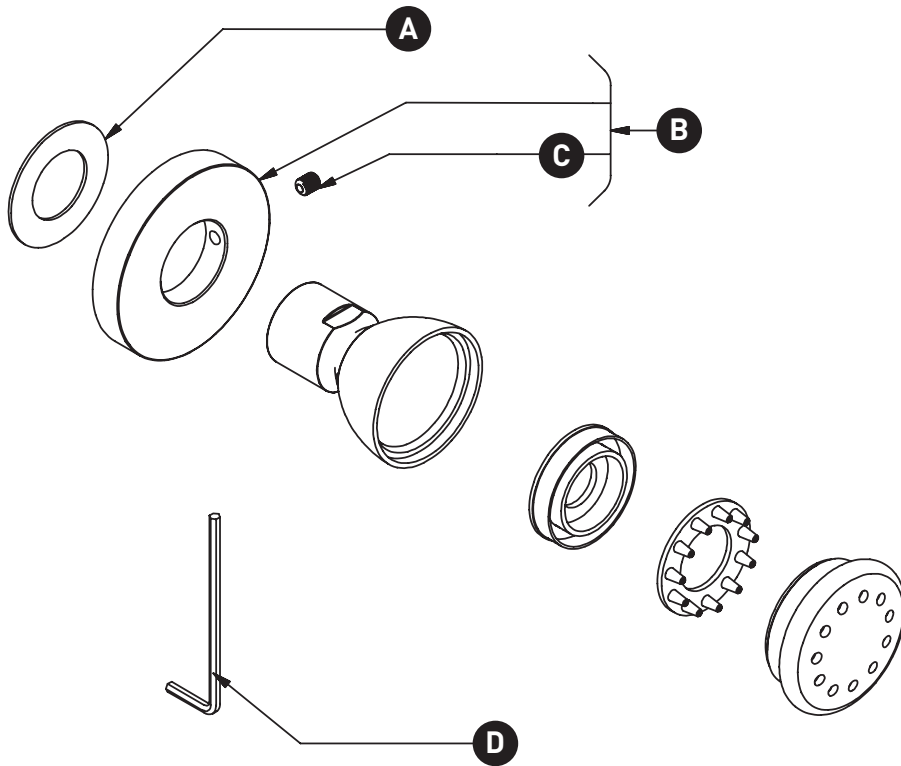


ORDER BY PART NUMBER

ILLUSTRATED PARTS

390

Single Function Body Spray



ID	Kit Number	Finish
A	301-004	N/A
B*	2669	See below
C	152-060	N/A
D	505-025	N/A

***Finish Determined by Suffix**

Finish	Description
C	Chrome
BK	Black
BG	Brushed Gold
BN	Brushed Nickel
PN	Polished Nickel

For warranty or additional information, contact:

U.S.A.
houseofrohl.com/support
1-800-777-9762

QUEBEC / MARITIMES / WESTERN CANADA
QUÉBEC / MARITIMES / OUEST CANADIEN
QUEBEC / MARITIMOS / CANADA OCCIDENTAL
houseofrohl.ca/support
1-866-473-8442

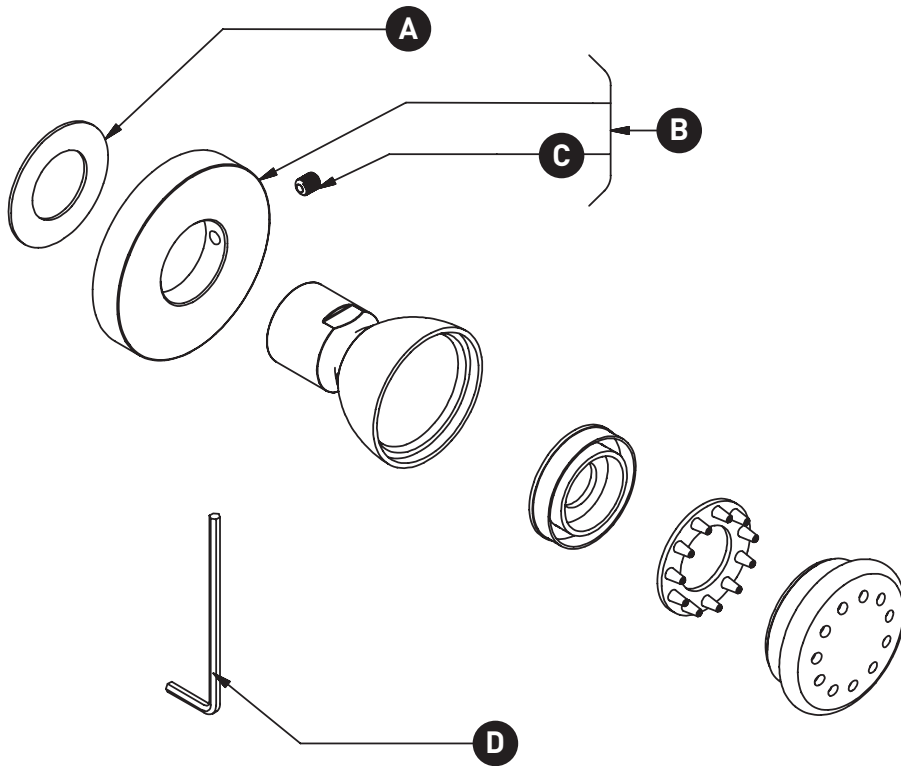
ONTARIO
houseofrohl.ca/support
1-800-287-5354

PEDIR POR NÚMERO DE REFERENCIA

PIEZAS ILUSTRADAS

390

Spray corporal de función única



ID	Referencia del kit	Acabado
A	301-004	N/A
B*	2669	Ver más abajo
C	152-060	N/A
D	505-025	N/A

***Acabado determinado por el sufijo**

Acabado	Descripción
C	Cromo
BK	Negro
BG	Oro cepillado
BN	Níquel pulido
PN	Níquel pulido

For warranty or additional information, contact:

U.S.A.
houseofrohl.com/support
1-800-777-9762

QUEBEC / MARITIMES / WESTERN CANADA
QUÉBEC / MARITIMES / OUEST CANADIEN
QUEBEC / MARITIMOS / CANADA OCCIDENTAL
houseofrohl.ca/support
1-866-473-8442

ONTARIO
houseofrohl.ca/support
1-800-287-5354