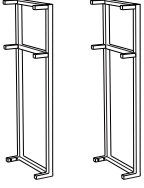


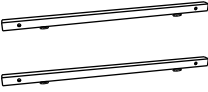
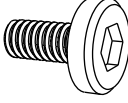



Assembly Instructions

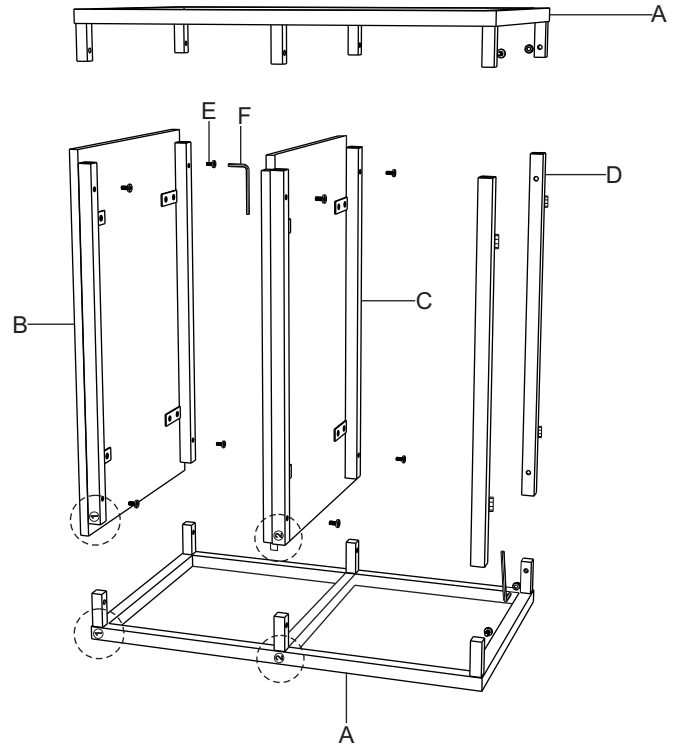
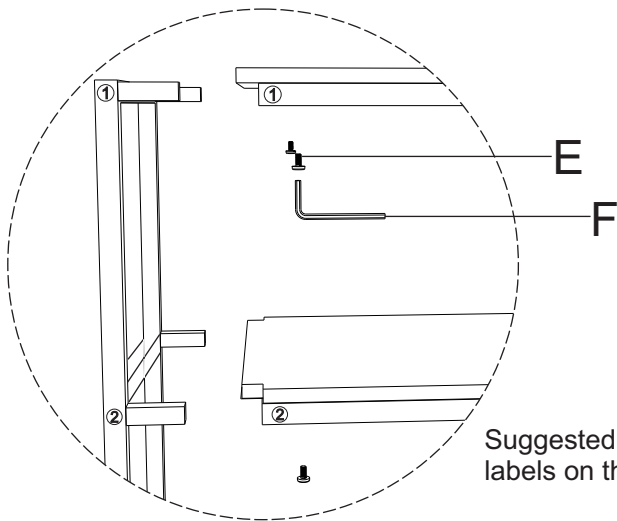
Quarles Side Table

SIDE METAL FRAMES Ax2	TOP SHELF Bx1	MIDDLE SHELF Cx1	CONNECTING BARS Dx2	ALLEN SCREWS Ex12+1	ALLEN KEY Fx1
					

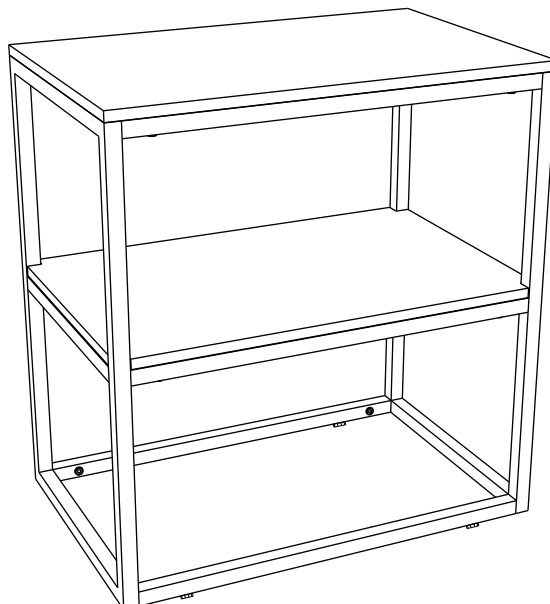
Recommended 2 persons assembly.

- Place the metal side frame on floor on a protective surface.
- Align top shelf, middle shelf and both the base bars as shown.
- Secure all components with help of Allen Screws as shown.

Please note: First fasten all screws partially, once all components are put together, then fully fasten all screws for final assembly.



Suggested to align the top & middle shelf corner with the marked labels on the side shelf.



Assembled

Flip the table, adjust the levellers if needed and its ready for use.