

ASSEMBLY INSTRUCTION

BILSS

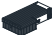





U1899-R27
BLISS RAF STORAGE CHAISE


Thank you for purchasing this quality product. Be sure to check all packing materials carefully for small parts, which may have come loose inside the carton during shipment. Identify and count all items and compare with the parts list and/or hardware list shown below.

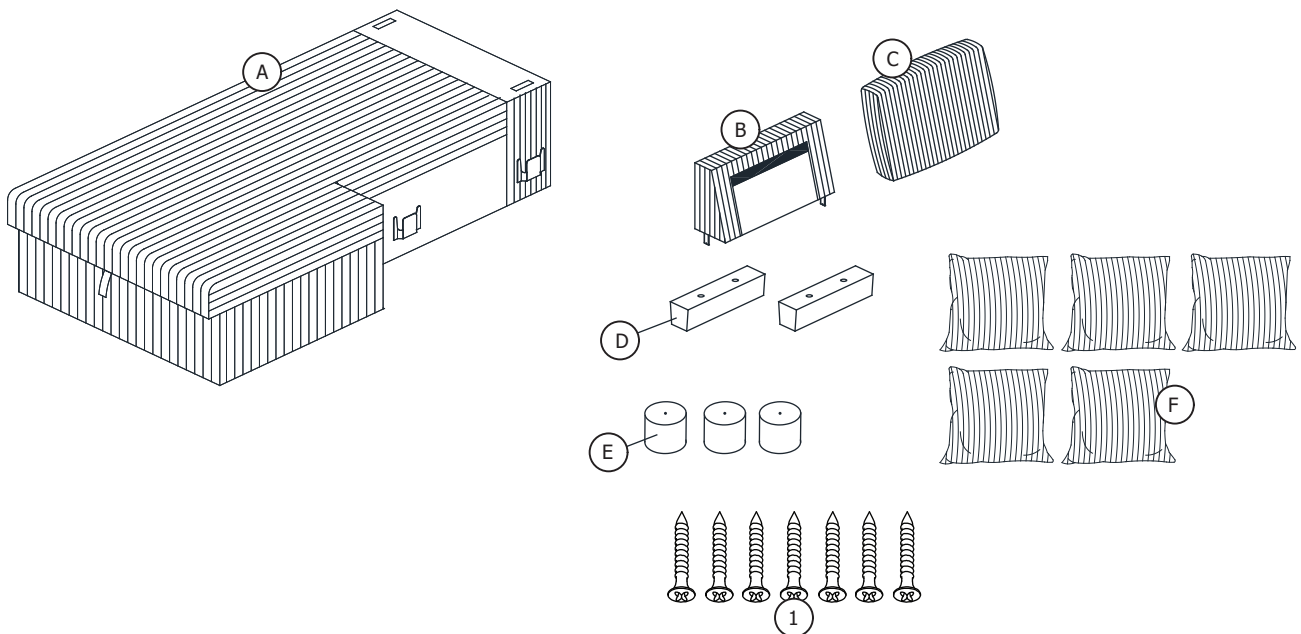
Please read all instructions carefully. See the hardware and furniture part listing for guidance. Be sure you have all parts listed before beginning assembly. Place all wooden parts on a clean, flat surface to protect the finish from scratches. Follow the diagram to assemble.

CAUTION

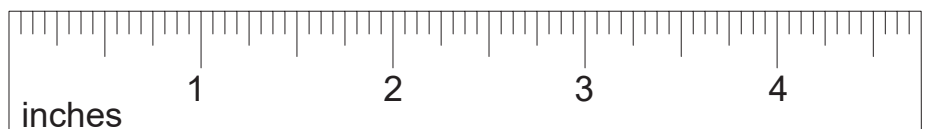
1. Do not fully tighten the nuts or bolts until the table is fully assembled.
2. Please tighten by hand, not by a drill. Overtightening will damage threads. Do not overtighten.
3. Keep all hardware out of the reach of children.

PARTS LIST			
ITEM	DESCRIPTION	SKETCH	QTY
BOX 4 PARTS LIST			
A	BASE		1 PC
B	BACK		1 PC
C	CUSHION		1 PC
D	LEG		2 PCS
E	BUN LEG		3 PCS
F	PILLOW		5 PCS

HARDWARE LIST			
ITEM	DESCRIPTION	SKETCH	QTY
BOX 4 HARDWARE			
1	CSK SCREW M4 x 1 5/8"		7 PCS

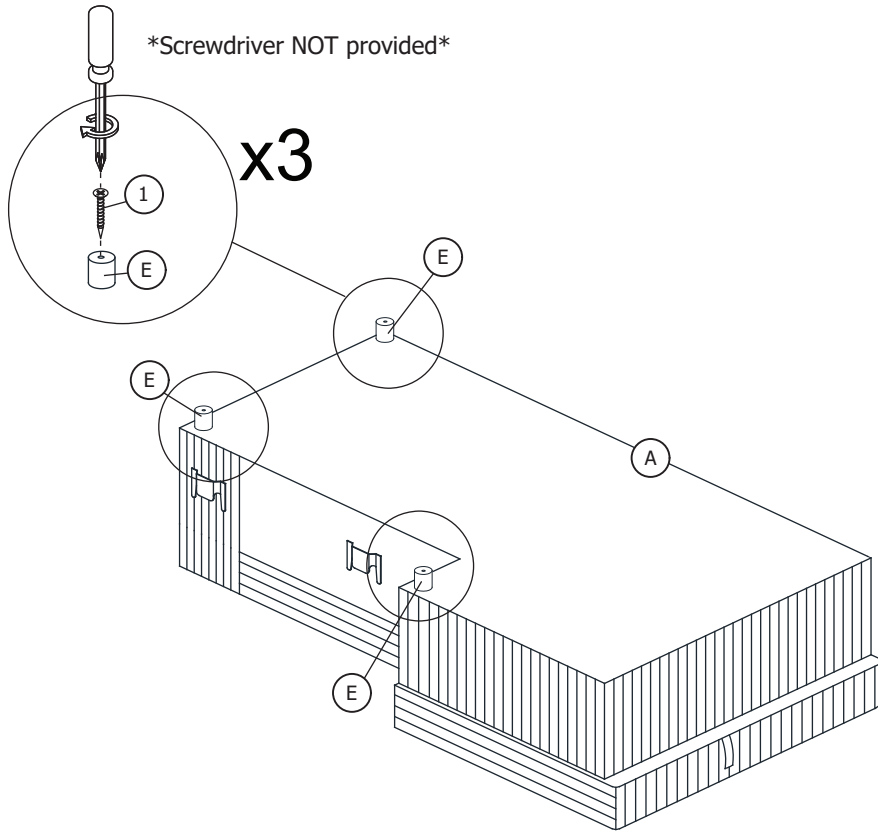


HARDWARE DIMENSIONS
VERIFICATION TOOL

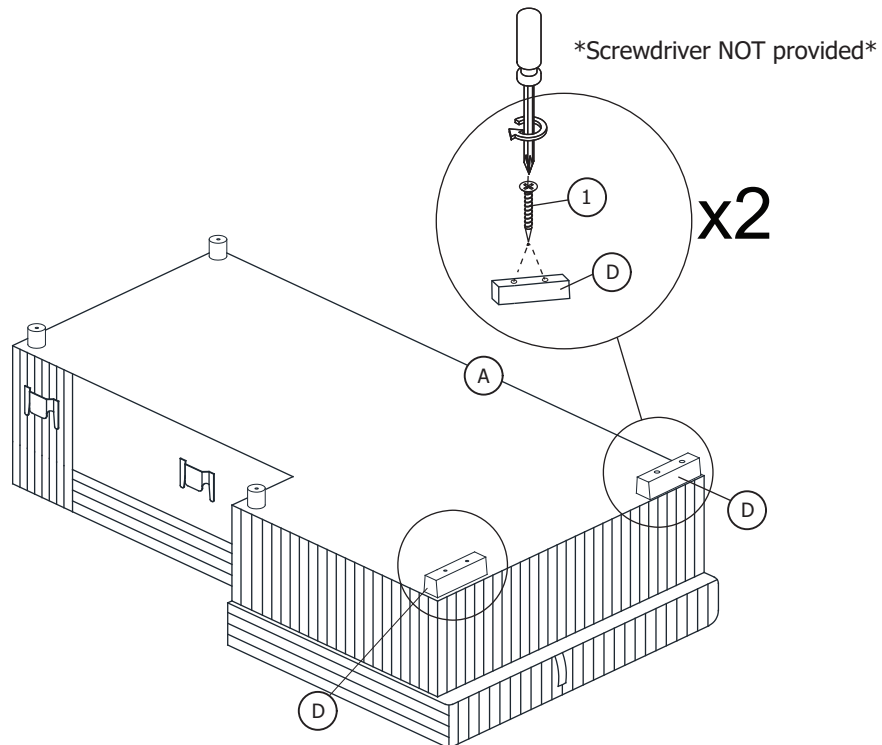


STEP 1: Place the Base (A) face down on a soft and clean area.

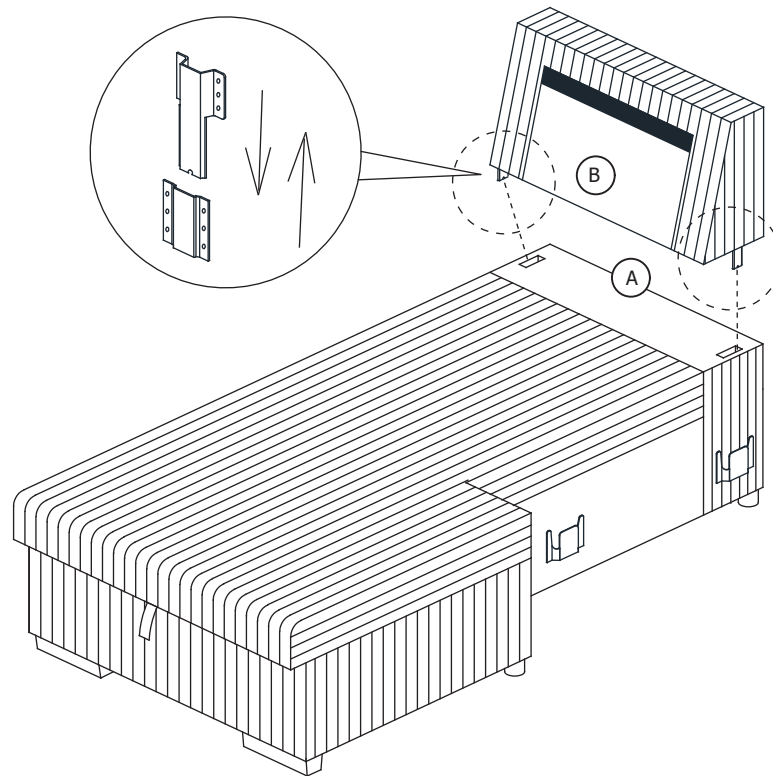
Attach Bun Leg (E) at the back and center of the Base (A) by using a screwdriver with hardware 1.



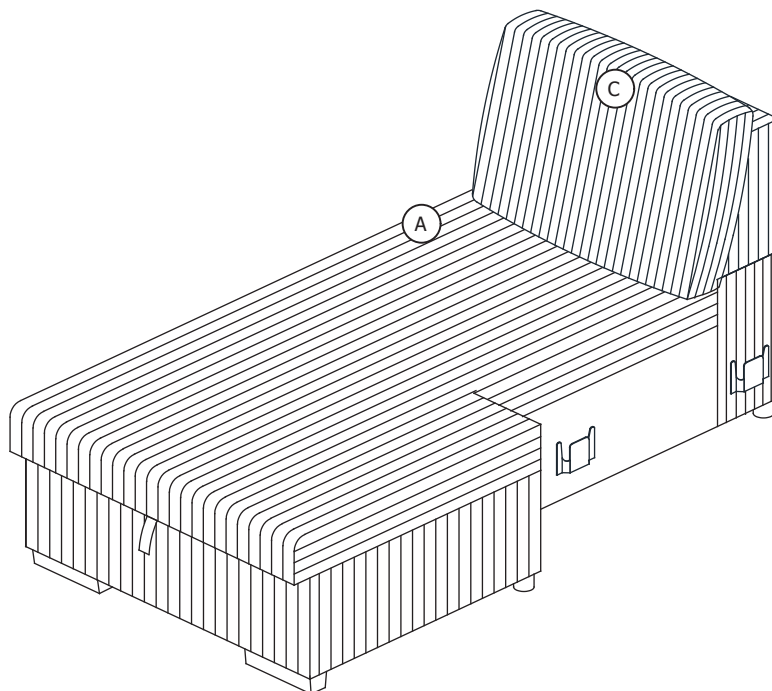
STEP 2: Attach Leg (D) at the front of the Base (A) by using a screwdriver with hardware 1.



STEP 3: Attach Back (B) to the Base (A) by aligning the metal brackets and pushing down until securely attached.

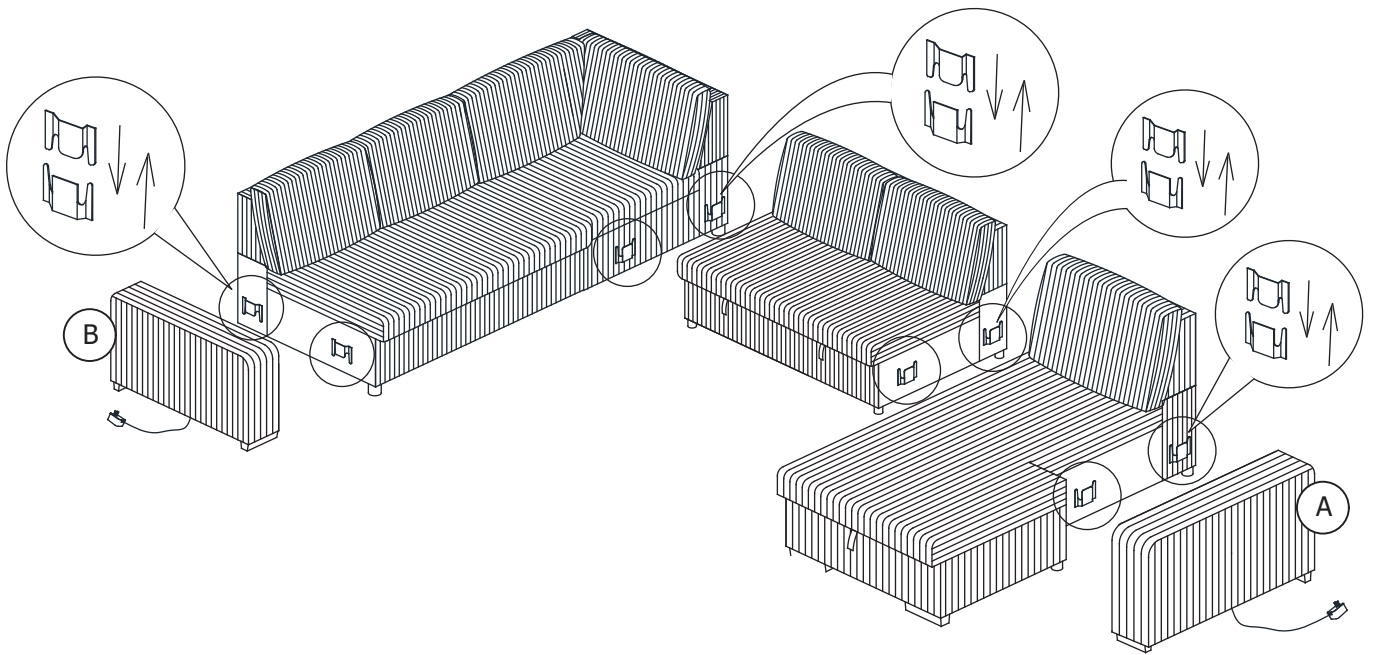


STEP 4: Place the Cushion (C) against the Back (B).

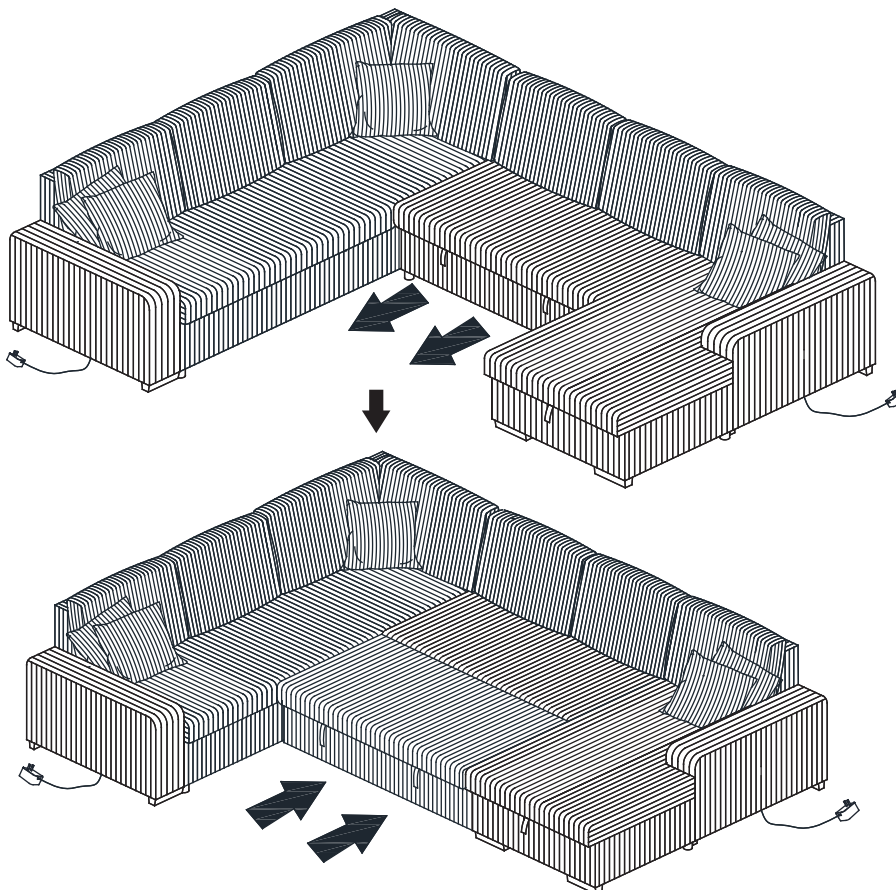


OPTION 1

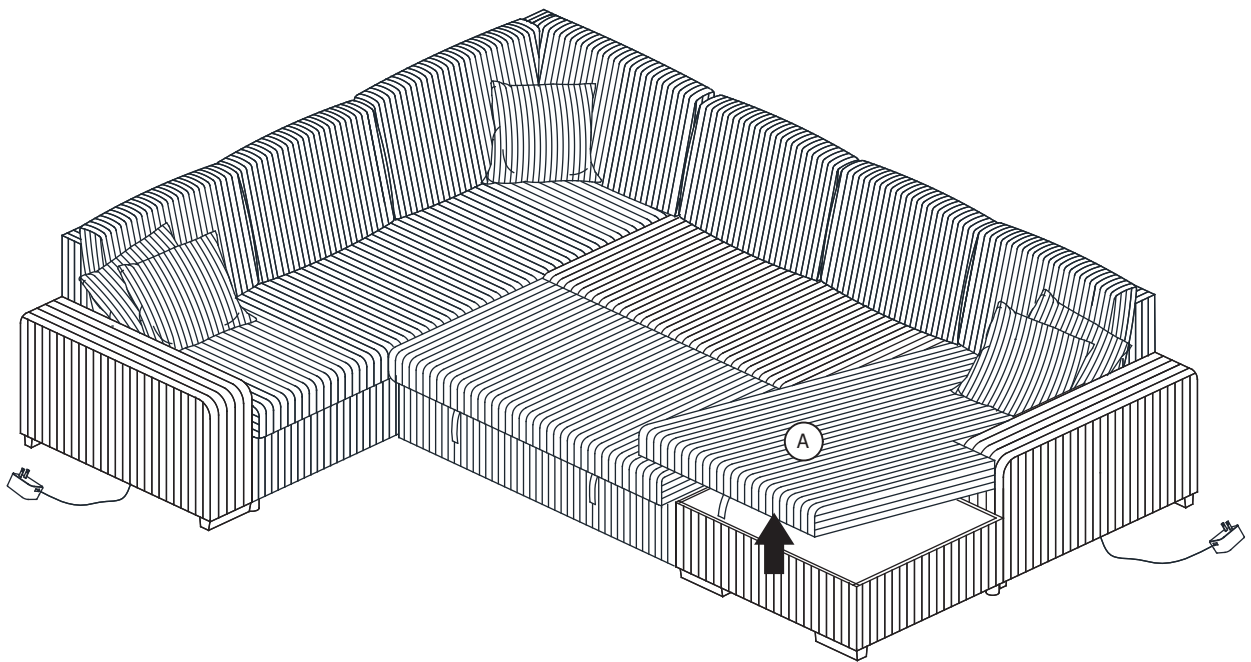
STEP 4: Align the sectional upholstery and connect them together by sliding the metal hooks into place until secure.



STEP 5: To Convert the sectional into a bed, pull the belts on the armless base until pull-out bed is fully extended. To retract the bed, pull the belts to lower the bed and push the base in.

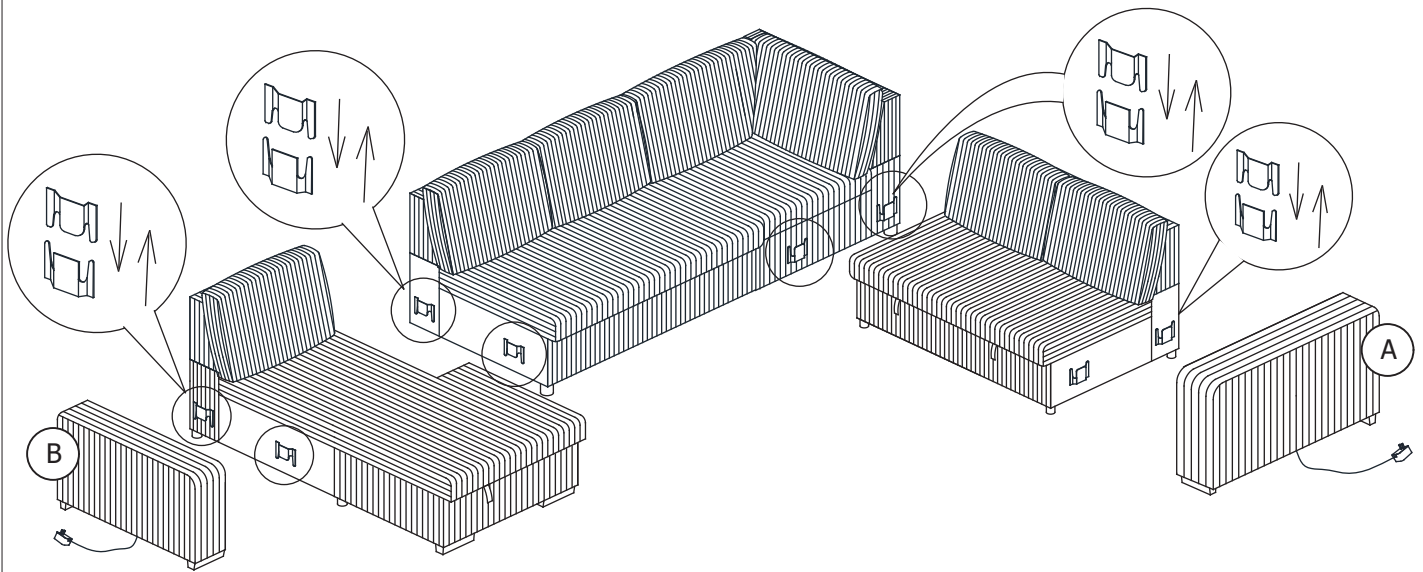


STEP 6: Lift the belt on the chaise for extra storage.

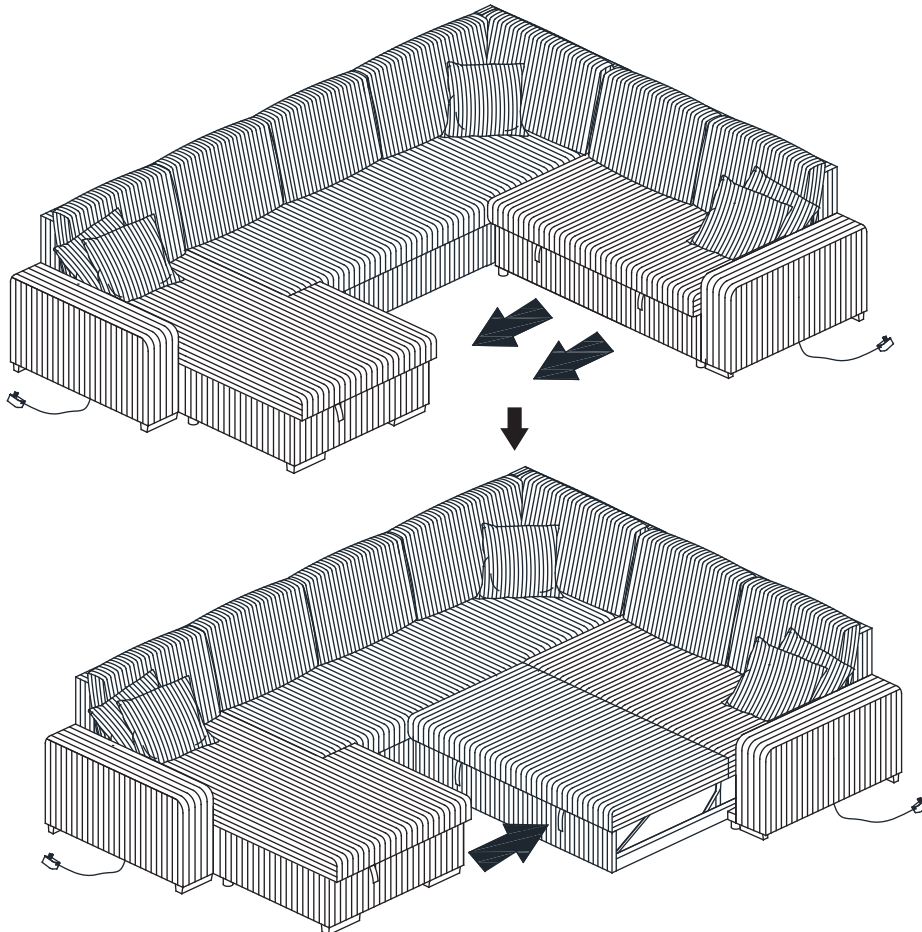


OPTION 2

STEP 4: Align the sectional upholstery and connect them together by sliding the metal hooks into place until secure.



STEP 5: To Convert the sectional into a bed, pull the belts on the armless base until pull-out bed is fully extended. To retract the bed, pull the belts to lower the bed and push the base in.



STEP 6: Lift the belt on the chaise for extra storage.

