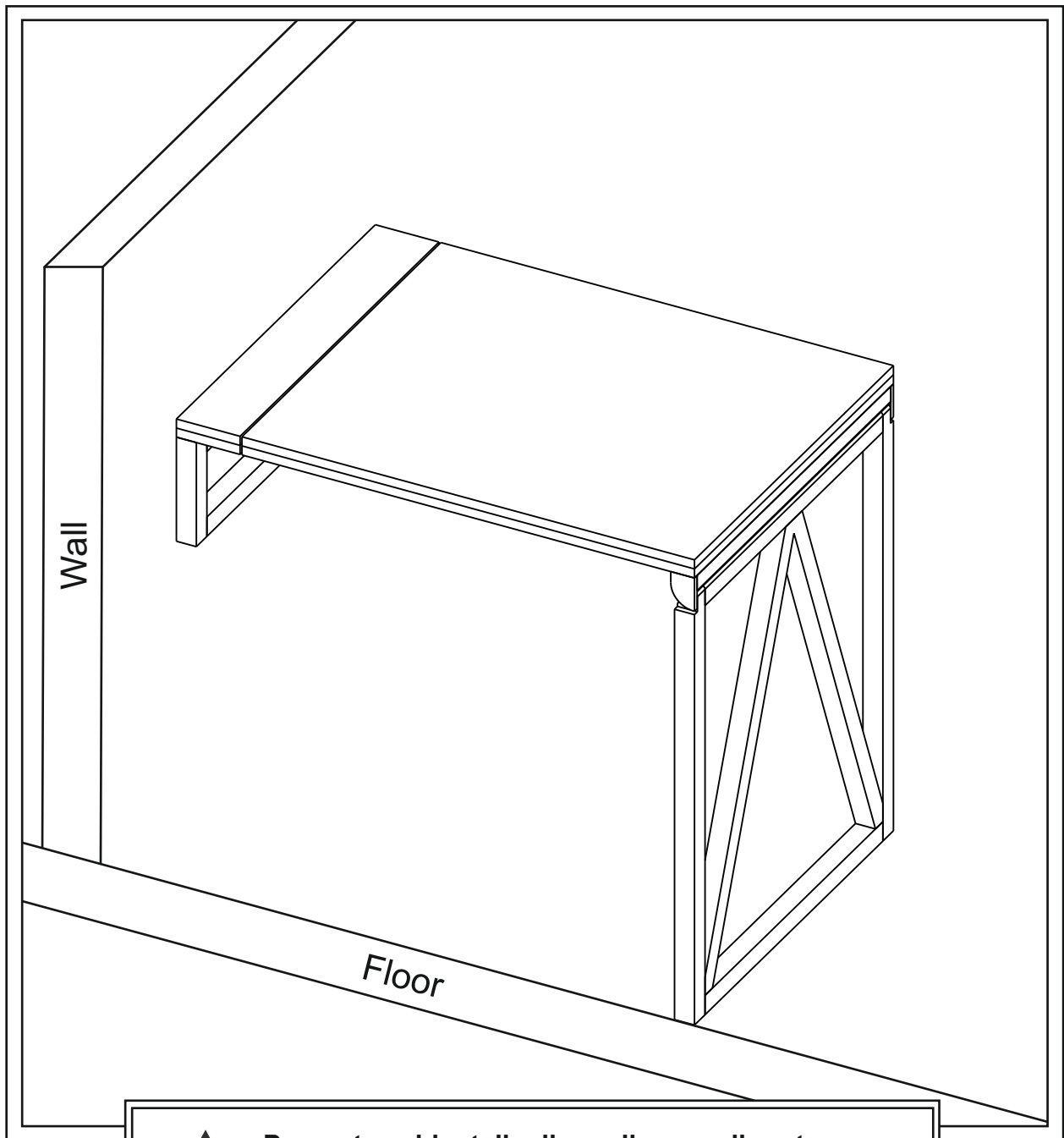


PRODUCT NAME: Truss Wall Mount Desk

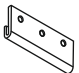

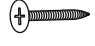
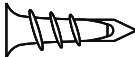


Prevent accidentally discarding small parts or hardware. Retain all carton contents until assembly and installation are complete.

MADE IN INDIA

Page 1 of 5

▲ Maximum support provided when one Bracket is centered on a Wall Stud.

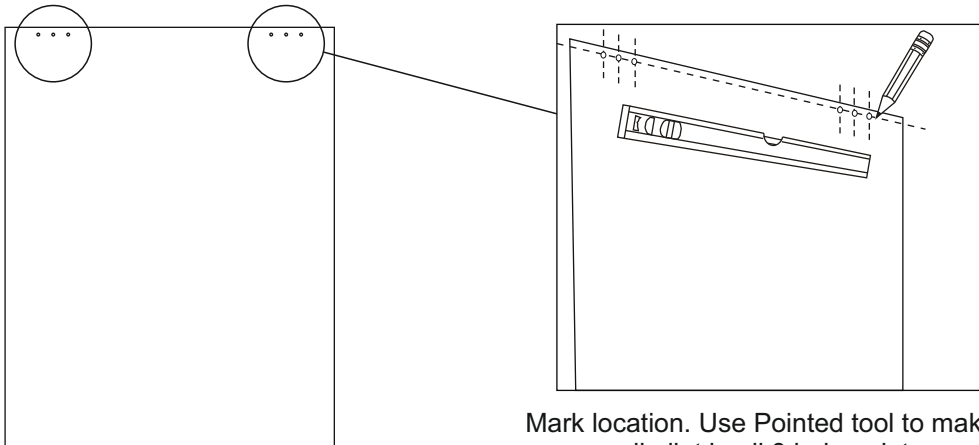
Ltr.	Qty.	Hardware Included	
A	2		Wall Bracket
B	2		Large Phillip Wall Screw
C	6		Small Phillip Wall Screw
C	8		Wall Anchors

REQUIRED TOOLS:
Phillips Screwdriver, Small Hammer,
Water Leveller, Pencil

Remove all parts, hardware and protective packaging from carton and carefully arrange on a clean, level, padded surface.

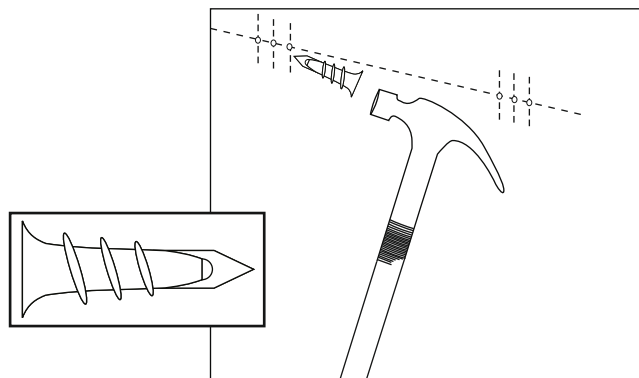
Use the life size Template provided to drill holes in wall

Place the Template against the wall, as top surface from Floor for Drill hole Markings.



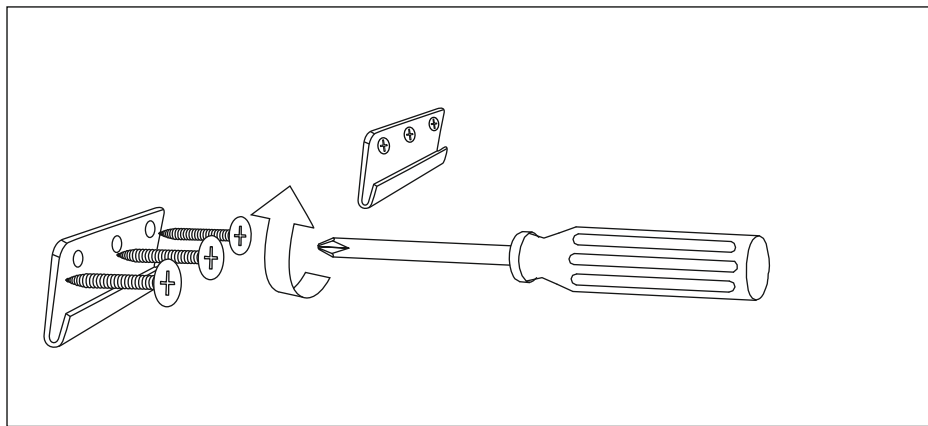
Mark location. Use Pointed tool to make a very small pilot in all 8 hole points.

Now, Remove the Template



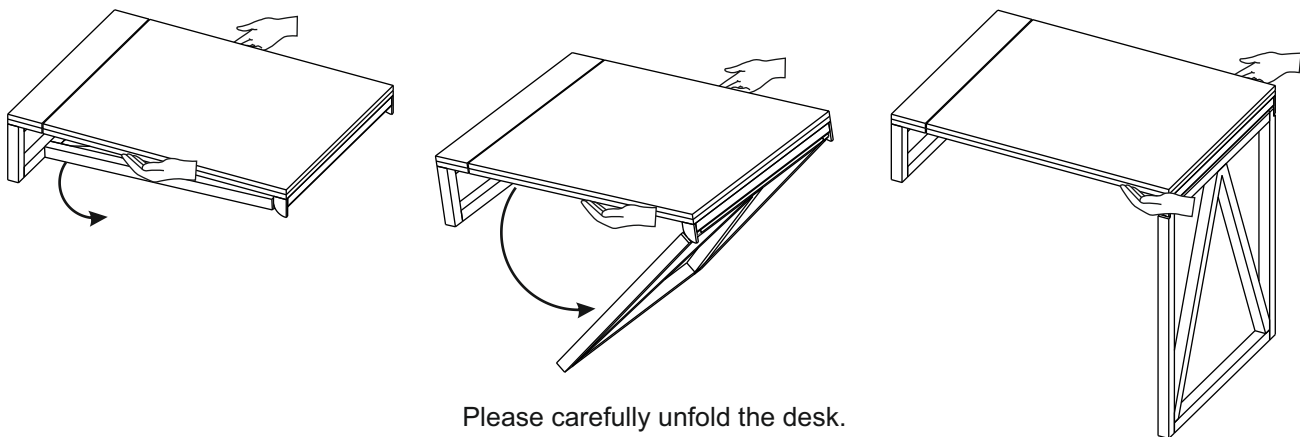
Now Remove the template and gently tap tip of Anchor into pilot hole with hammer and turn it in the until flush with in wall surface.

Now Screw the wall J-Brackets into the wall with small phillip screws in all 6 holes of both the J-Brackets and tighten with screwdriver carefully.



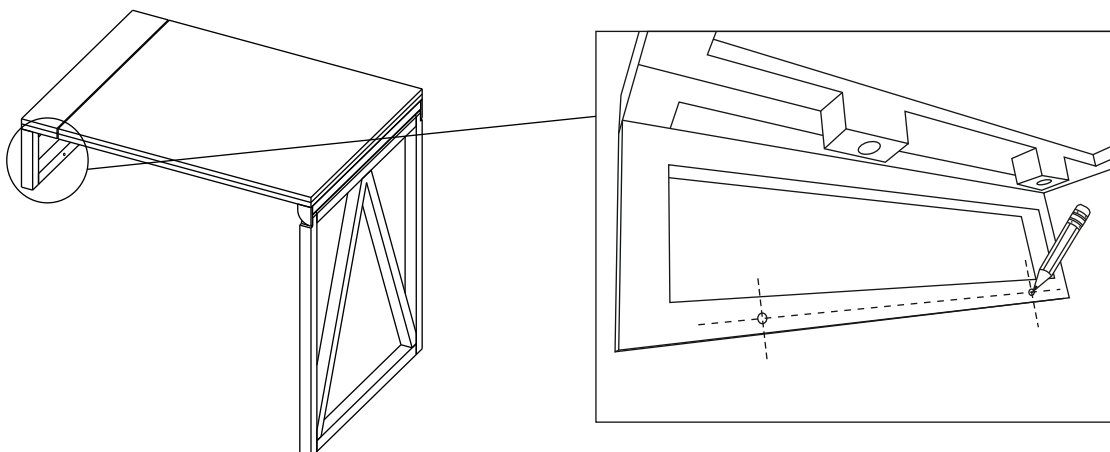
Tighten screw

Hang the Table on the wall J-Brackets with alignment of Table J-Brackets.

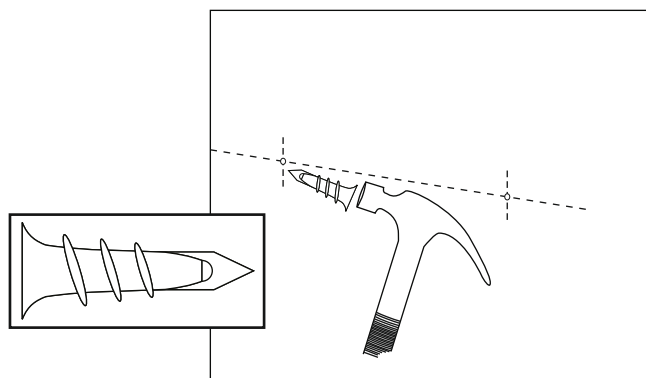


Please carefully unfold the desk.

Mark location. Use Pointed tool to make a very small pilot in all 2 hole points.

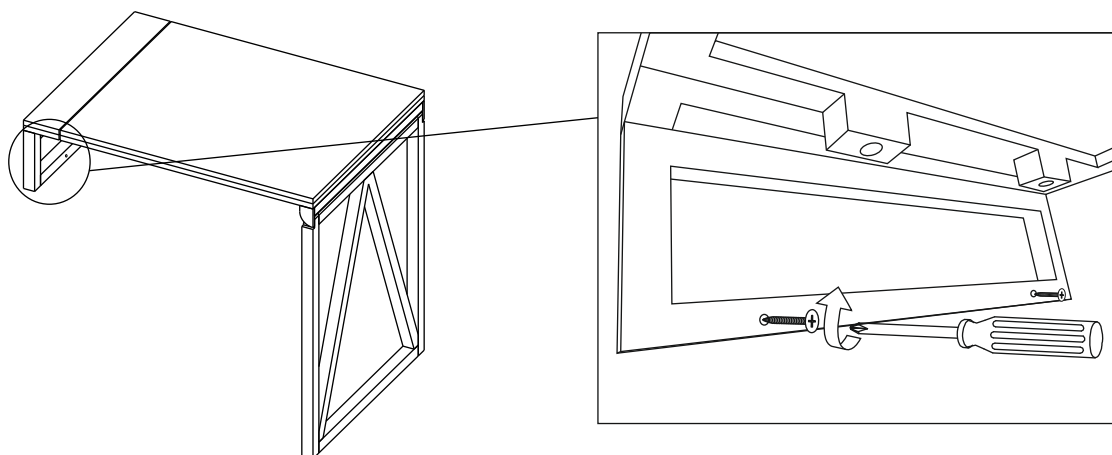


Now, Remove the Table

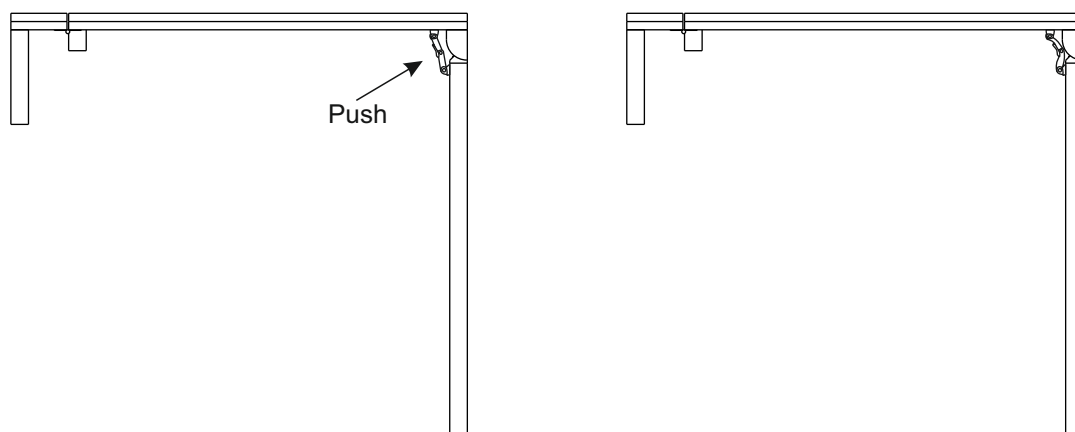


Now Remove the template and gently tap tip of Anchor into pilot hole with hammer and turn it in the until flush with in wall surface.

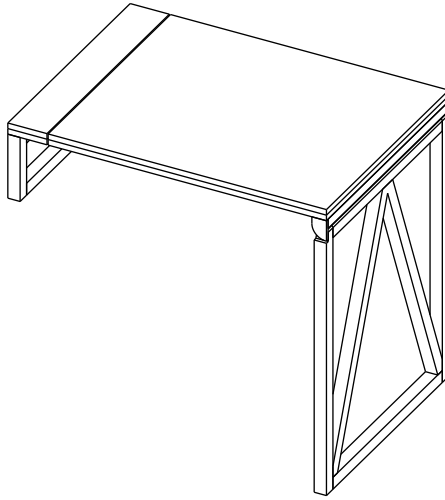
Screw the Large Phillip Wall Screws into the both Fasteners holes



When in use, push the hinge to secure/ lock the leg frame.



Ready for Use.



Notes:
Weight limit: 30 lbs