
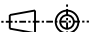
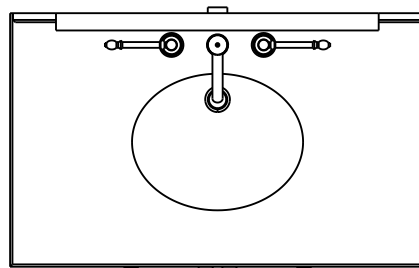
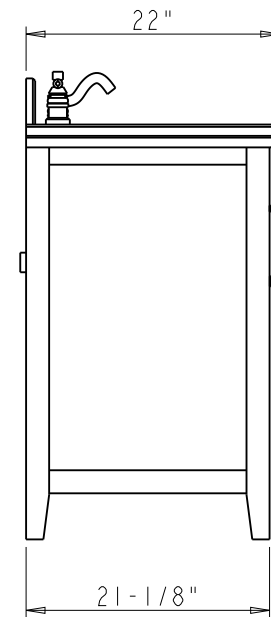
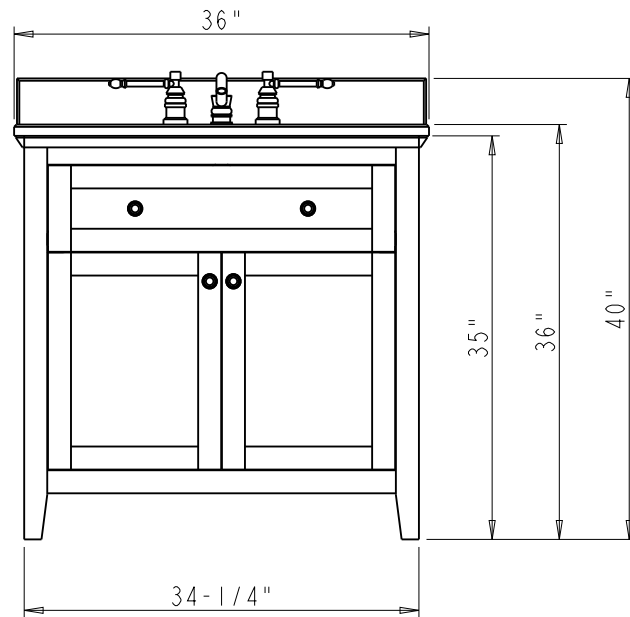
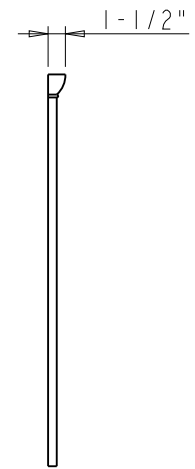
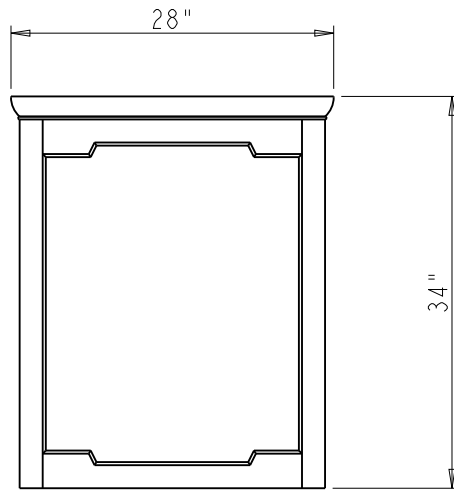


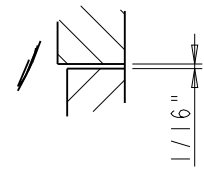
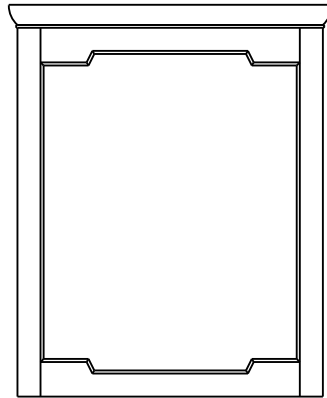
Specification:

1. Material: WD
2. Finish: Blue
3. Hardware: 658SBZ ( 4 PCS )
4. Slides: USE58-300-18 + US-CLIP-4W ( 1 Sets )
5. Shelf Supports: 1707BN ( 4 PCS )
6. Drawer Boxes: 5/8" Rubber wood  
Clear color  
Dovetail
7. Hinge: 700.0537.05 with 600.1233.05 plate
8. Bowl: H8810
8. The tolerance is +/- 1/8"

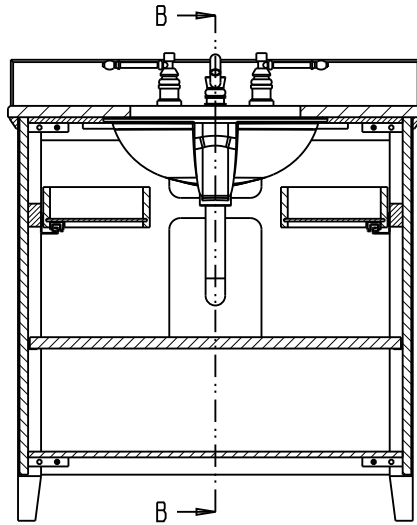
	ITEM#: VN-CHA-36-BL-XX		MATERIAL:		
	FINISH:		WEIGHT: 9		
<b>PROPRIETARY AND CONFIDENTIAL</b> THE INFORMATION CONTAINED IN THIS DRAWING IS THE SOLE PROPERTY OF HARDWARE RESOURCES INC. ANY REPRODUCTION IN PART OR AS A WHOLE WITHOUT THE WRITTEN PERMISSION OF HARDWARE RESOURCES INC. IS PROHIBITED.	TOLERANCE UNLESS OTHERWISE SPECIFIED: X ±0.20 X.X ±0.10 X.XX ±0.05 ANGULAR: ±0.5°		UNITS:	DRAWN BY: <b>Alexander.W</b>	DATE: 09-20-18
	DO NOT SCALE DRAWING		SIZE:	APPROVED BY:	DATE:
			SHEET:	RELEASE LEVEL:	REVISION:
					



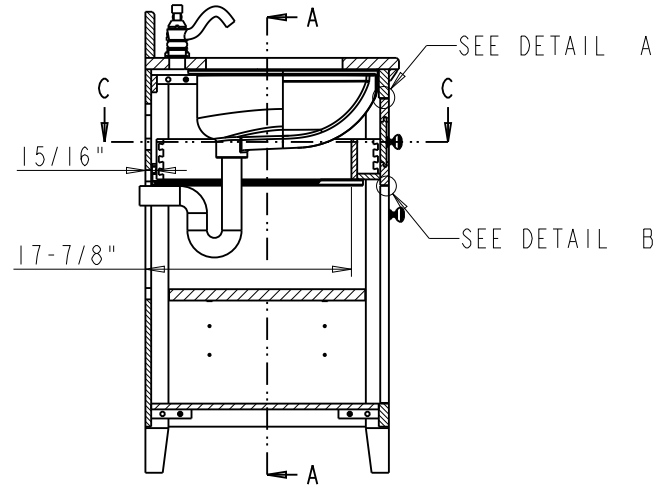
	ITEM#: VN-CHA-36-BL-XX		MATERIAL:		
	FINISH:		WEIGHT: 9		
<p><b>PROPRIETARY AND CONFIDENTIAL</b></p> <p>THE INFORMATION CONTAINED IN THIS DRAWING IS THE SOLE PROPERTY OF HARDWARE RESOURCES INC. ANY REPRODUCTION IN PART OR AS A WHOLE WITHOUT THE WRITTEN PERMISSION OF HARDWARE RESOURCES INC. IS PROHIBITED.</p> <p>DO NOT SCALE DRAWING</p>	TOLERANCE UNLESS OTHERWISE SPECIFIED:		PROJECTION		
	UNITS: X ±0.20 X.X ±0.10 X.XX ±0.05 ANGULAR: ±0.5°	DRAWN BY: <b>Alexander.W</b>	DATE: 09-20-18		
	SIZE: SHEET:	APPROVED BY:	DATE:		
	RELEASE LEVEL:	REVISION:			



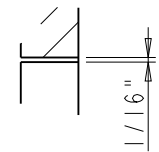
DETAIL A  
SCALE 2:5



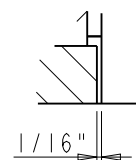
SECTION A-A  
SCALE 3:50



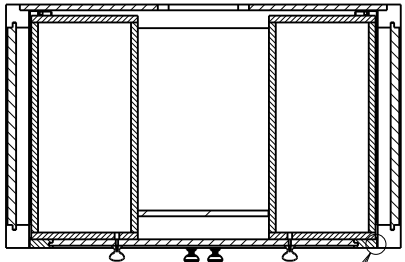
SECTION B-B



DETAIL B  
SCALE 2:5



DETAIL C  
SCALE 2:5



SECTION C-C  
SEE DETAIL C

	ITEM#: VN-CHA-36-BL-XX		MATERIAL:		
	FINISH:		WEIGHT:		
<p><b>PROPRIETARY AND CONFIDENTIAL</b></p> <p>THE INFORMATION CONTAINED IN THIS DRAWING IS THE SOLE PROPERTY OF HARDWARE RESOURCES INC. ANY REPRODUCTION IN PART OR AS A WHOLE WITHOUT THE WRITTEN PERMISSION OF HARDWARE RESOURCES INC. IS PROHIBITED.</p>	UNITS:		DRAWN BY: <b>Alexander.W</b>		
	TOLERANCE UNLESS OTHERWISE SPECIFIED:		DATE: 09-20-18		
	X ±0.20		APPROVED BY:		
	X.X ±0.10		DATE:		
X.XX ±0.05		RELEASE LEVEL:		REVISION:	
ANGULAR: ±0.5°		SHEET:		DO NOT SCALE DRAWING	

