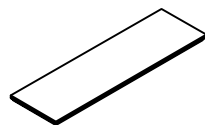


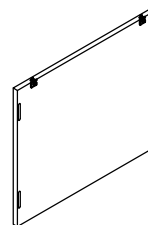
A

X1 Top panel *
 X1 Techo
 X1 Le toit



E

X1 Back panel *
 X1 Placa posterior
 X1 Fond de panier



1

X2 Knob *
 X2 Bouton
 X2 Perilla



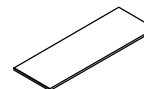
B

X1 Left side panel *
 X1 Panel izquierdo
 X1 Panneau gauche



F

X1 Adjustable shelf *
 X1 Plateau réglable
 X1 Estantc ajustable



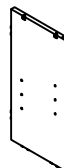
2

X4 Wood dowel (8x30mm) *
 X4 Goujons de bois (8x30mm)
 X4 Tarugo de madera (8x30mm)



C

X1 Right side panel *
 X1 Panel lateral derecho
 X1 Panneau lateral droit



G

X1 Right door *
 X1 Porte droite
 X1 Derecho puerta



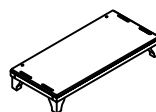
3

X4 Shelf support Ø6.5mm *
 X4 Soporte laminado Ø6.5mm
 X4 Support en stratifiés Ø6.5mm



D

X1 Bottom panel *
 X1 Panneau inférieur
 X1 Panel inferior



H

X1 Left door *
 X1 Porte gauche
 X1 Derecho puerta



4

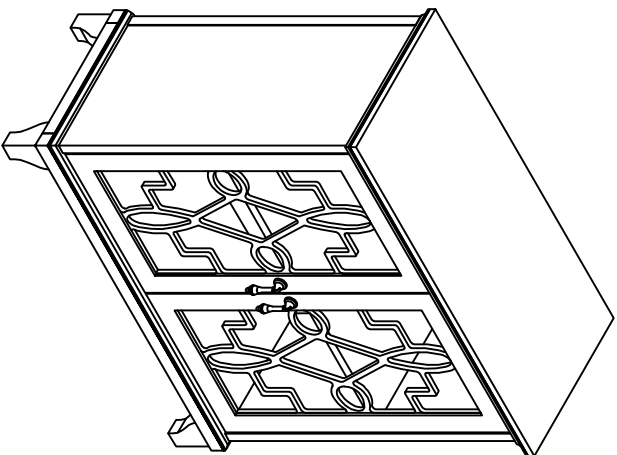
X2 Handle screw Ø5/32**20mm *
 X2 Tornillo de la manija Ø5/32**20mm
 X2 Mânc de cargol 5/32** 20 mm



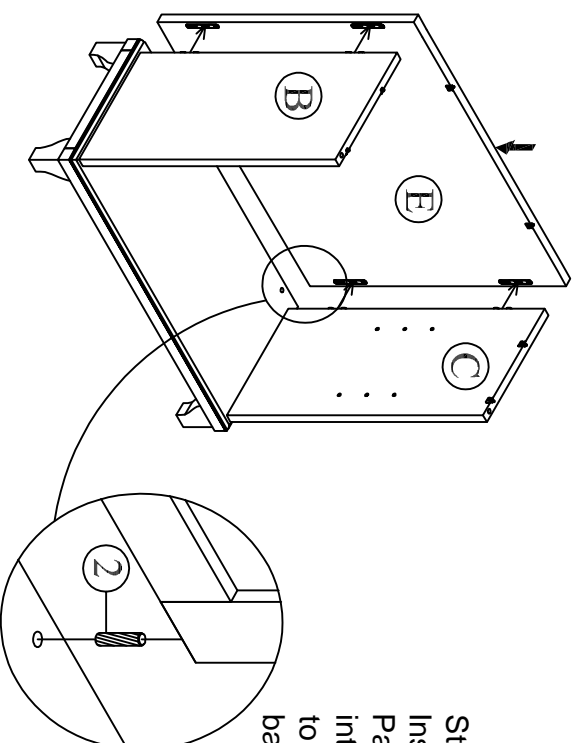
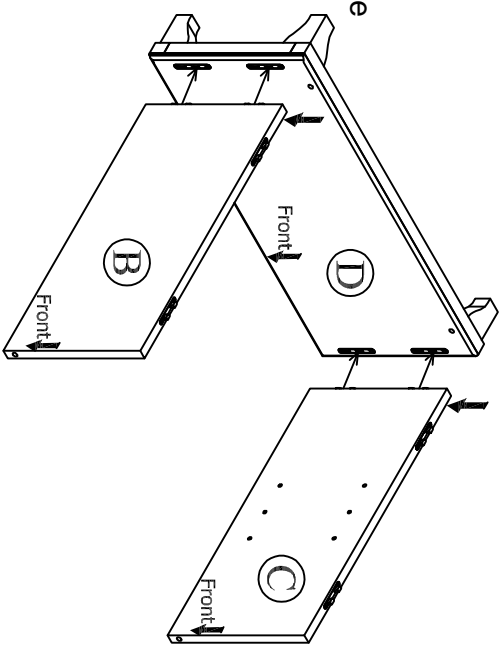
* Replaceable Part



WARNING	
<p>Children have died from furniture tip-over. To reduce the risk of injury or death, always use proper assembly instructions. ALWAYS install tip-over restraint provided.</p> <ul style="list-style-type: none"> • NEVER put a TV on this product. • NEVER allow children to stand, sit, or climb on drawers, doors, or shelves. • NEVER open more than one drawer at a time. • Proper restraint terms in the instructions are provided. Please follow them. This is a permanent label. Do not remove! 	



Step 1.
 Lay down Bottom Panel (Part D) as shown, attach the L/R Side Panels (Parts B&C) into Bottom panel and press down to secure into place making sure that the holes in the side panels are facing inward.



Step 2.
 Insert Wood dowels (Part 2) on the Bottom Panel (Part D) and attach the Back Panel (Part E) into L/R Side Panels (Parts B&C) and press down to secure into place. Make sure that the tops of the back and side panels are flushed.

* Replaceable Part

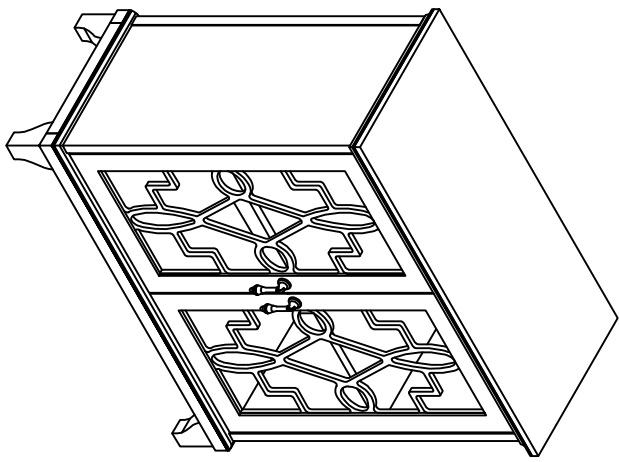
Residential Use only



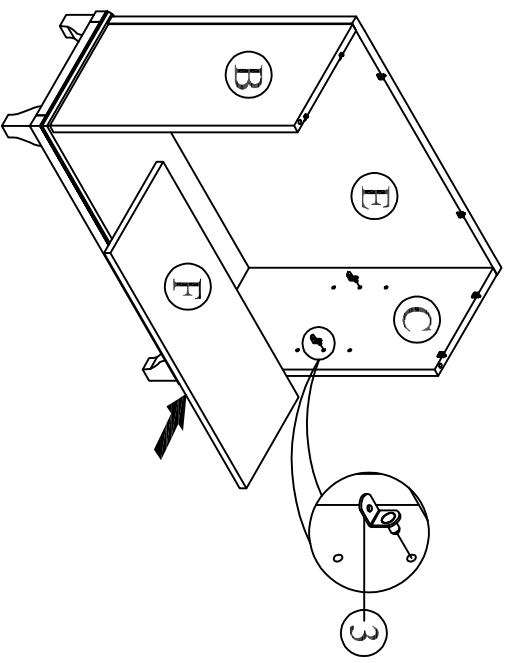
WARNING

Children have died from furniture tip-over. To reduce the risk of injury or death:

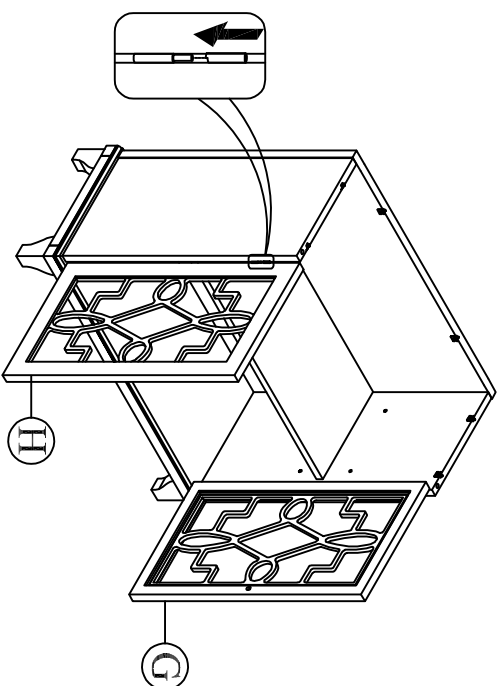
- ALWAYS install tip-over restraint provided.
- NEVER put a TV on this product.
- NEVER allow children to stand, sit, or climb on shelves, doors, drawers or any other furniture.
- NEVER open more than one drawer at a time.
- Place pressure terms in the drawers.
- Do not remove.



Step 3.
 Insert Shelf Supports (Part 3) into the holes as shown. Then, insert the Adjustable Shelf (Part F) into the cabinet to the position where there are shelf supports.



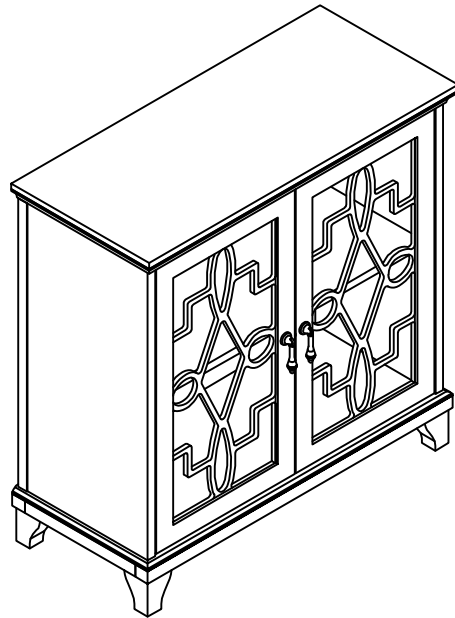
Step 4.
 Align the hinges on the Left & Right Doors (Parts H&G) with the hinges on the side panels (Parts B&C). Press down to secure them into place.



* Replaceable Part

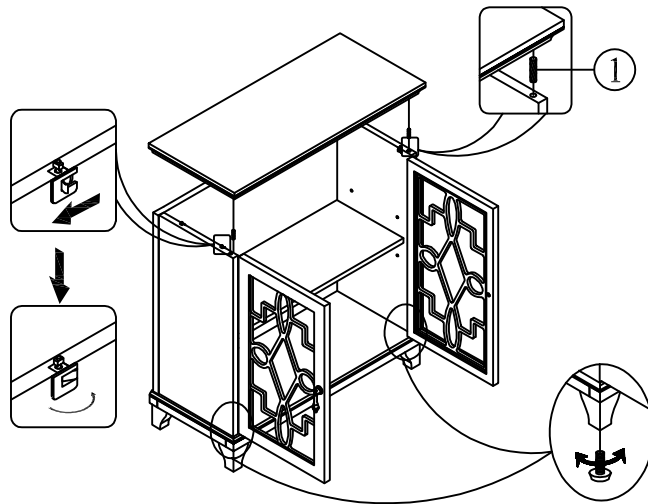
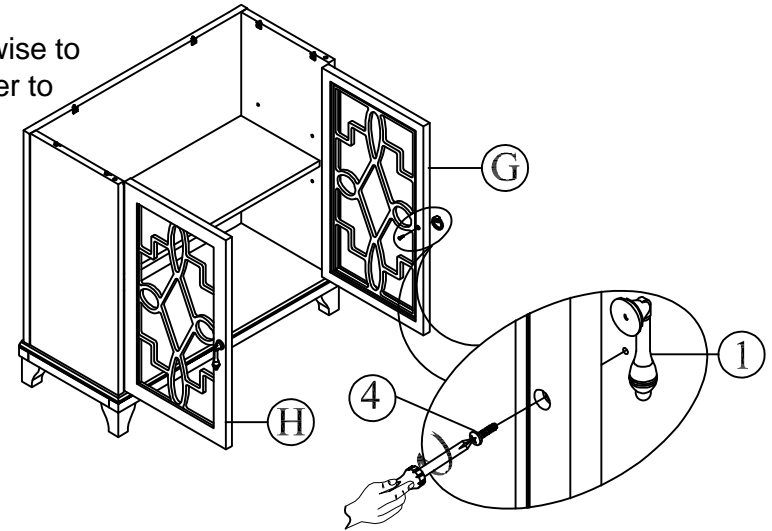
Residential Use only

Made in Vietnam / Fabriqué au Vietnam / Hecho en Vietnam
 For further assembly information, please go to www.mylfurnitureinstructions.com



Step 5.

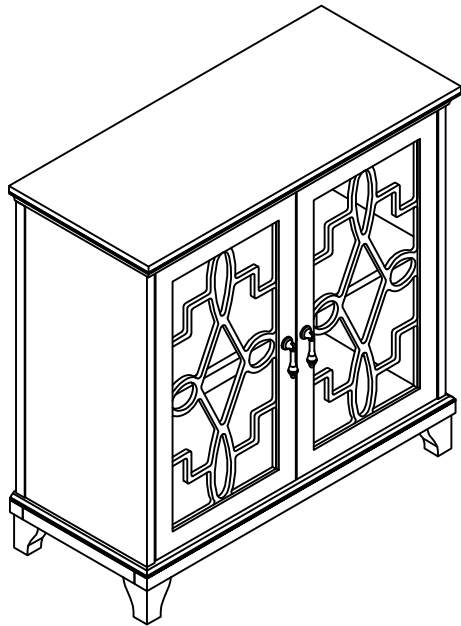
Insert the Handle Screws for the Knob (Part 4) into the holes from the back side of the doors. Add the Knob (Part 1) and turn the handle screws clockwise to tighten. You will need a phillips head screw driver to tighten completely.



Step 6.

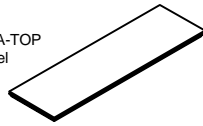
Insert Wood Dowels (Part 2) on the top of frame. Make sure that all of the switch locking hardware in the panels are in the open position as indicated by the straight arrow in the diagram. Align the hardwares in the Top Panel (Part A) with the hardwares on the top of frame and press down so make sure the top panel is flushed with the panels. Lock the top panel into place by turning the switches indicated the by the curved arrow in the diagram below.

* Replaceable Part



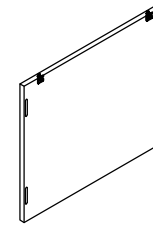
(A)

x1 RD419-005A-TOP
Top panel
Techo
Le toit



(E)

x1 RD419-005A-BPAN
Back panel
Placa posterior
Fond de panier



(1)

x2 RD419-005A-KNOB
Knob
Bouton
Perilla



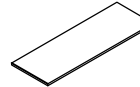
(B)

x1 RD419-005A-LSPAN
Left side panel
Panel izquierdo
Panneau gauche



(F)

x1 RD419-005A-SHELF
Adjustable shelf
Plateau réglable
Estant ajustable



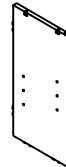
(2)

x4 RD419-005A-DOWEL
Wood dowel (8x30mm)
Goujons de bois (8x30mm)
Tarugo de madera (8x30mm)



(C)

x1 RD419-005A-RSPAN
Right side panel
Panel lateral derecho
Panneau lateral droit



(G)

x1 RD419-005A-RDOOR
Right door
Porte droite
Derecho puerta



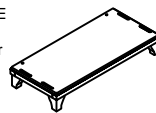
(3)

x4 RD419-005A-SUPP
Shelf support Ø6.5mm
Soporte laminado Ø6.5mm
Support en stratifiés Ø6.5mm



(D)

x1 RD419-005A-OPANE
Bottom panel
Panneau inférieur
Panel inferior



(H)

x1 RD419-005A-LDOOR
Left door
Porte gauche
Izquierda puerta



(4)

x2 RD419-005A-SCREW
Handle screw Ø5/32**20mm
Tornillo de la manija Ø5/32**20mm
Vis de poignée Ø5/32**20mm



* Replaceable Part