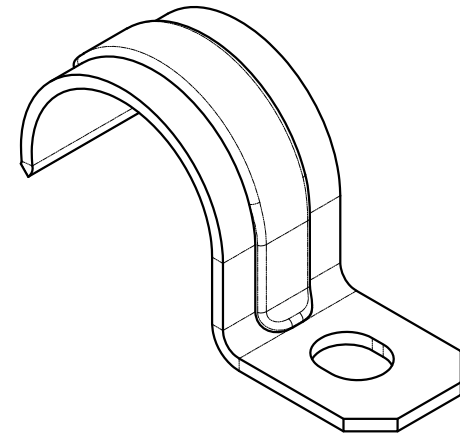
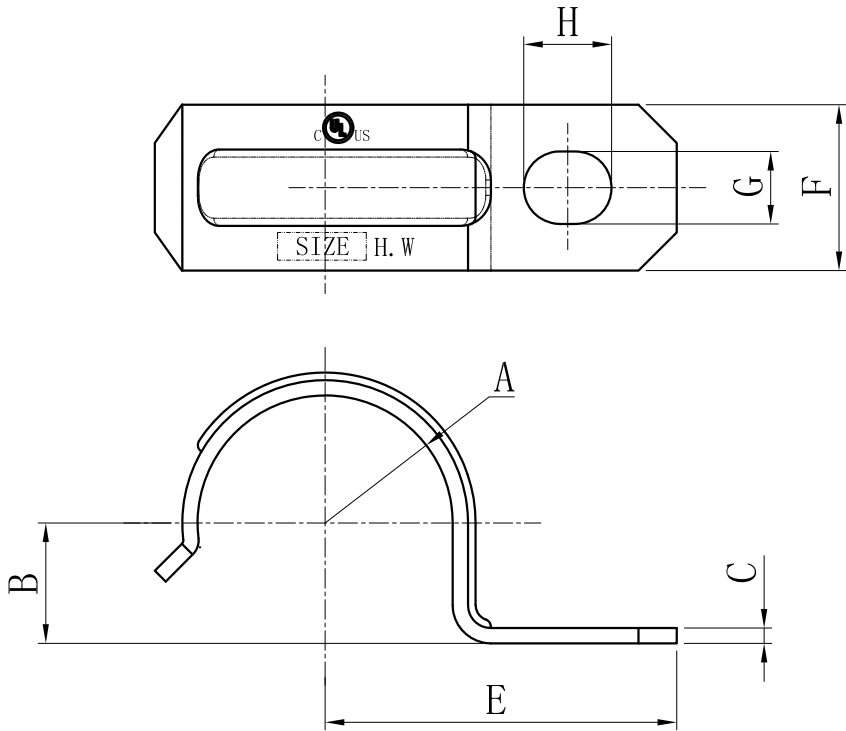


SIDES	BOTTOM	P/N	SIZE	A	B	C	E	F	G	H
		OHSR-50S	1/2"	R10.67[0.420]	9.9[0.39]	1.60[0.063]	32.6[1.29]	15.5[0.61]	6.35[0.25]	7.8[0.31]
		OHSR-75S	3/4"	R13.34[0.525]	12.7[0.50]	1.80[0.071]	39.7 [1.56]	18.5[0.73]	6.35[0.25]	7.8[0.31]
		OHSR-100S	1"	R16.64[0.655]	15.7[0.62]	2.00[0.079]	46.0[1.812]	21.7[0.86]	9.5[0.37]	11.5[0.45]
Material: C.R.S, Zinc Plated		OHSR-125S	1 1/4"	R21.08[0.830]	20.3[0.80]	2.20[0.087]	50.8[2.00]	21.5[0.85]	9.5[0.37]	11.5[0.45]
		OHSR-150S	1 1/2"	R24.13[0.950]	23.4[0.92]	2.20[0.087]	63.5[2.50]	25.6[1.00]	11.0[0.43]	13.0[0.51]
		OHSR-200S	2"	R30.10[1.185]	29.2[1.15]	2.5[0.098]	66.8[2.63]	28.0[1.10]	14.0[0.55]	15.8[0.62]



DESCRIPTION
TRADE REFERENCE TERMS

This data sheet is for reference only .GARVIN INDUSTRIES reserves the right to make changes to the design without prior notice.

STANDARD PACKING	<b>GARVIN INDUSTRIES</b>		
	TITLE <b>ONE-HOLE STRAPS</b>		
	SIZE A4	DWG NO. OHSR-50-200S	REV
	DATA SHEET		