

Harmony[™]
by BEMIS[®]

The seat that
automatically closes! 



Harmony Installation Manual

Completed Harmony Assembly Drawing





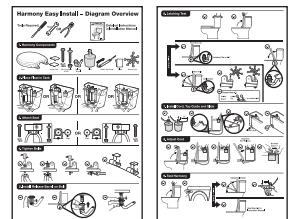
The seat that automatically closes!

Much more than a simple toilet seat, Harmony provides benefits beyond your expectations. No more worries about “falling in”, items dropping into the bowl, pets quenching their thirst, kids playing “sea captain” and that unsightly view of looking into the bowl while you brush your teeth. Silently and gently Harmony closes every time you flush... Amazing!

Harmony works on virtually all residential toilets¹. Installation takes approximately 45 minutes. There are two sets of installation instructions: [Harmony Easy Install](#) and [Harmony Installation Manual](#).

Harmony Easy Install

2 page visual instructions on how to install your Harmony seat. More detailed information is provided for each step by using the Installation Manual reference. The page numbers listed next to the icon of the manual tells the installer where they can find more detailed information.



Harmony Installation Manual

Complete, detailed information that walks you through each step of the installation process. Test and Confirm sections assure you that every step has been properly executed. The Troubleshooting section is contained in the Manual.



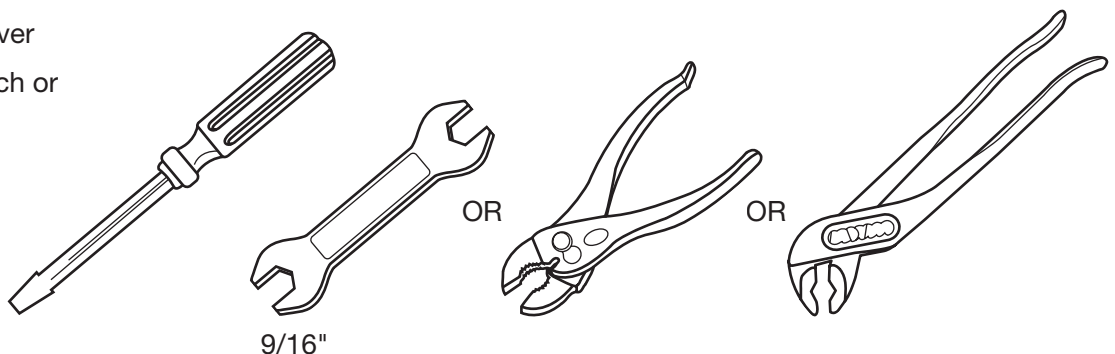
Installation information is also available on the Harmonyseat.com website or through our customer service department at 800-332-6711.

You are now ready to install your new Harmony seat. Follow the instructions and your installation will be simple and successful.

¹Harmony does not work on Power Assist Flush toilets and toilets with seat mounting nuts fused into the ceramic.

Tools You Will Need

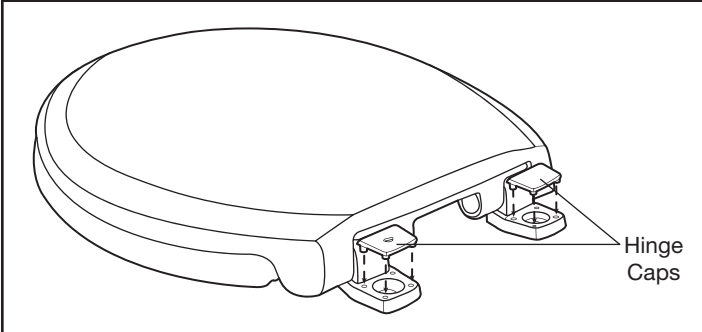
- Standard Head Screwdriver
- 9/16" Open Ended Wrench or Pliers or Channel Lock



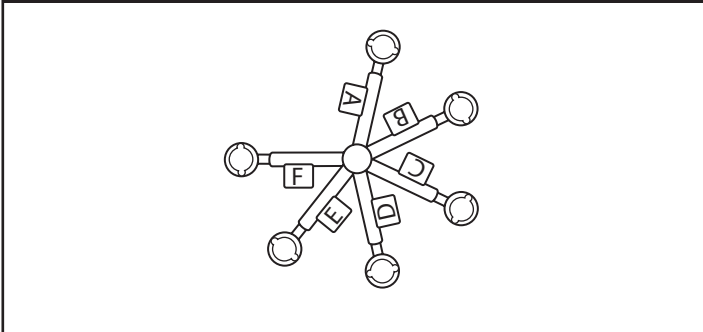
Harmony Component Checklist

All of the components below are included. The instructions will reference the component names and part names; this page is an excellent reference point.

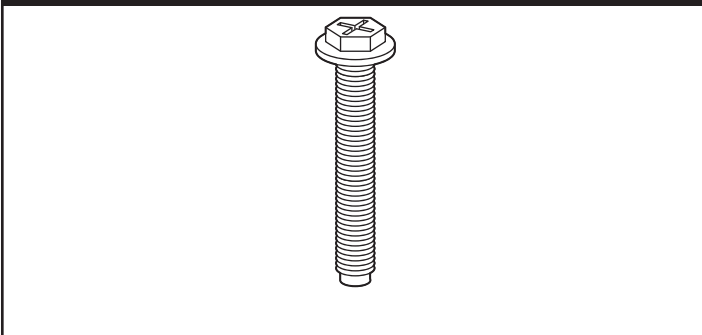
Harmony Seat and Hinge Caps



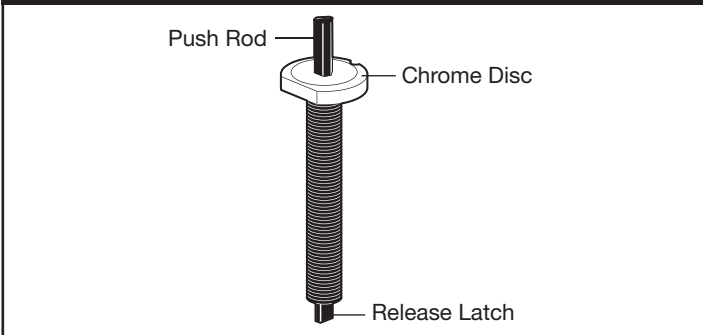
Spacer Caps



Hexite™ Bolt



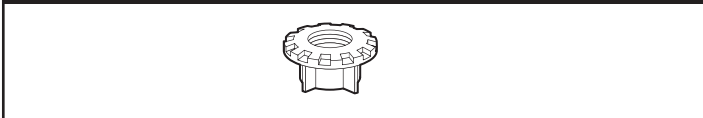
Latch Bolt



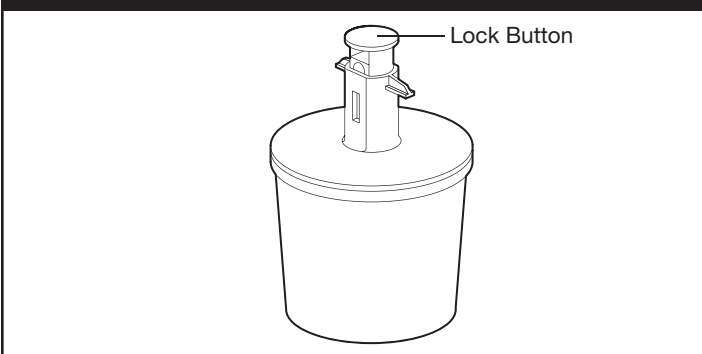
Wing Nut



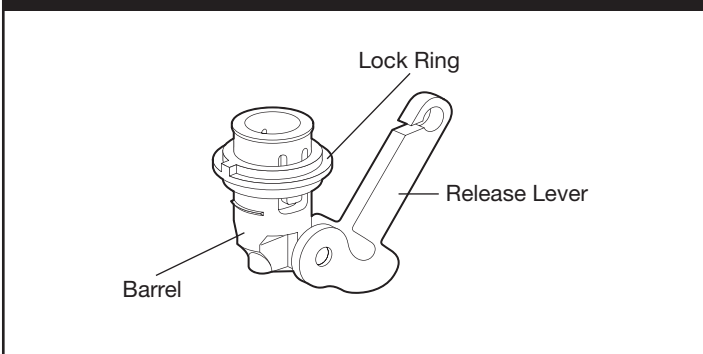
Latch Nut



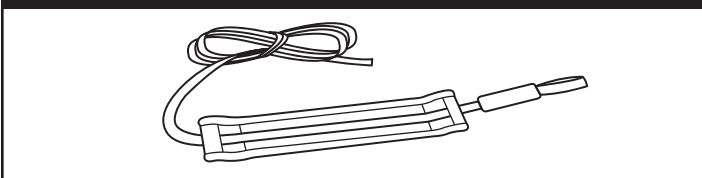
Float



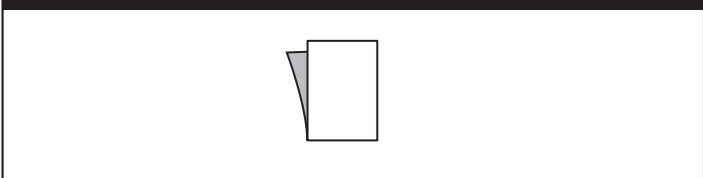
Release Barrel



Cord and Cord Guide



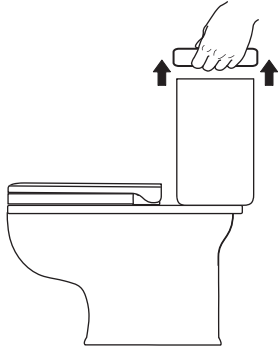
Slide



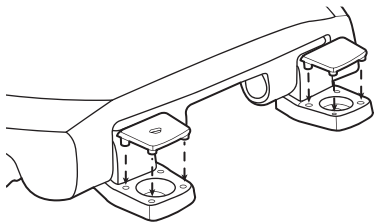
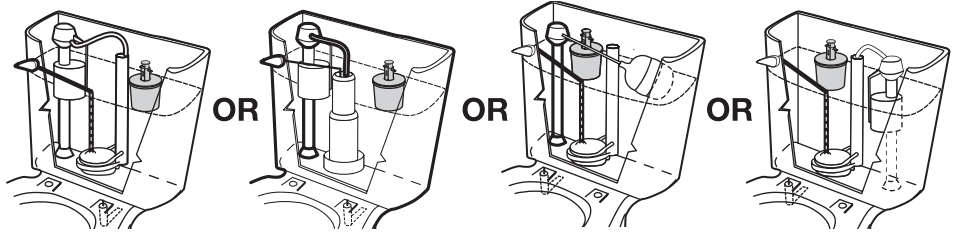
Harmony Seat Installation



Approximate installation time is 45 minutes, this may vary by model of toilet and optional steps required for proper installation.

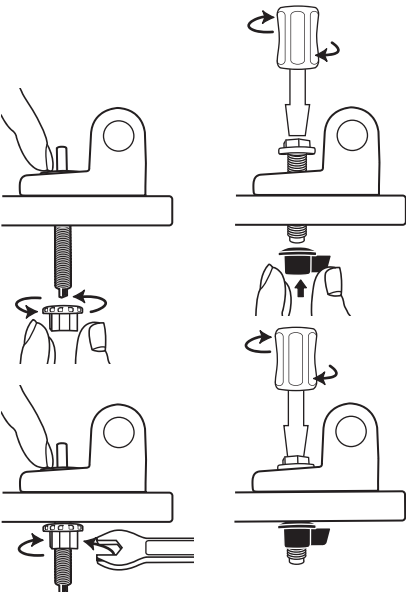
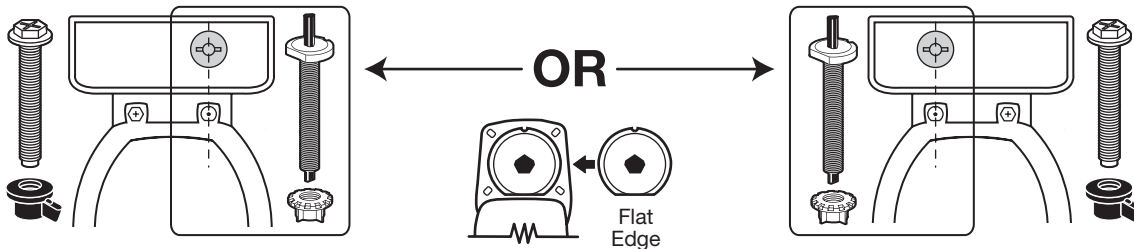


- 1.1 Remove **Toilet Tank Cover** and place in a safe location.
- 1.2 Place **Float** in appropriate **Tank Location**. Position the **Float** directly behind one of the **Mounting Bolt Holes**.



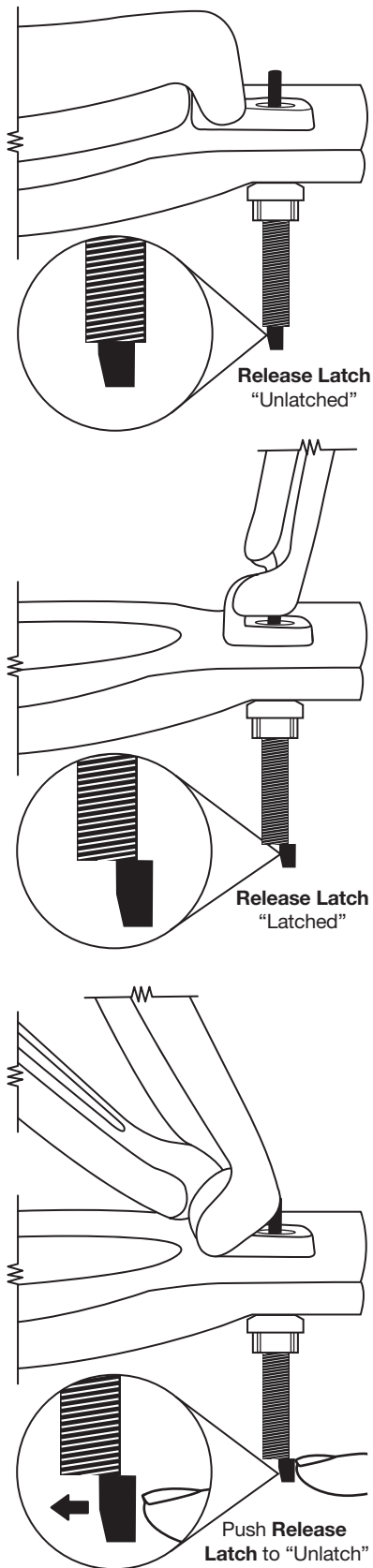
- 1.3 Remove the **Hinge Caps** from the **Harmony Seat** and place them in a safe location for installation later.
- 1.4 Place **Harmony Seat** on your toilet for installation.

- 1.5 Place the **Latch Bolt** in the **Toilet Seat Mounting Hole** that is on the same side of the toilet as the **Float**. Align **Flat Edge** of **Chrome Disc** so it fits snugly in the **Hinge**.



- 1.6 Hold **Latch Bolt** in place in the **Hinge** and carefully begin tightening the **Latch Nut** by hand. Use caution, fine thread can strip if not aligned properly. **Do not fully tighten.**
- 1.7 Install **Hextite™ Bolt** in the second **Toilet Seat Mounting Hole**. Holding the **Wing Nut** steady, use a screwdriver to turn the nut onto the bolt. As the **Wing Nut** moves “up” the bolt, the “**Wing**” will catch the edge of the china and hold itself in place while you tighten the bolt. **Do not fully tighten.**
- 1.8 Align the **Toilet Seat** with the toilet bowl for proper appearance.
- 1.9 Holding the **Seat** in proper alignment to the bowl, fully tighten the **Hextite Bolt** and the **Latch Nut** to properly secure the seat.
- 1.10 Match **Hinge Caps** to the correct hinges and press in place.

Test and Confirm – Latch Bolt Operation

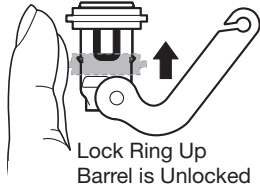


Test and confirm that the Latch Bolt is working properly.

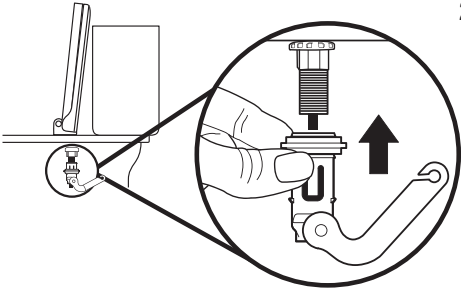
- Put the **Toilet Tank Cover** back on
- Lift the **Seat Cover** and **Ring** and hold in the open position for 2 seconds
- Let go of the **Seat Cover** and **Ring**... Did they stay in the open position?

| Yes | No | Cover Stays Up, Ring Down |
|---|---|--|
| <ul style="list-style-type: none"> • Look at the Release Latch and you will find it "latched" • Press the Release Latch to the middle of the Latch Bolt to "unlatch" the Release Latch • If the Cover and Ring do not close, stop here and go to Troubleshooting section, "Cover and Ring Do Not Close when Latch Released" • If Cover and Ring close, remove Toilet Tank Cover and store in a safe location • Move on to Step 2.1 | <ul style="list-style-type: none"> • First try again to confirm that the Seat Cover and Ring are not staying upright • If the Seat Cover and Ring are not staying up, go to Troubleshooting Section "Toilet Seat Cover and Ring Do Not Stay Upright" | <ul style="list-style-type: none"> • Try again and confirm that the Toilet Seat Cover stays in the upright position and the Ring falls forward • If Seat Cover up and Ring down, go to Troubleshooting Section "Cover Stays Up, Ring Falls" |

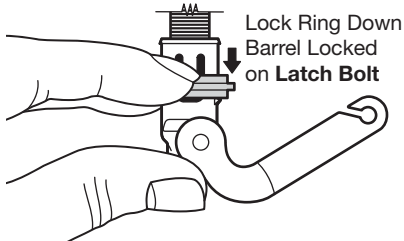
Release Barrel Installation



2.1 Slide the lock ring to the “top” of the **Barrel**.



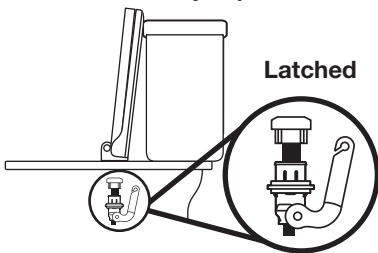
2.2 With the **Release Lever** pointed to the back of the toilet, prepare to slide the **Release Barrel** onto the bottom of the **Latch Bolt**. Holding the **Lock Ring** up in the “unlocked” position, slide the **Barrel** as high as you can onto the **Latch Bolt**.



2.3 Slide the **Lock Ring** down approximately 1/4” until it stops and locks the **Barrel** on to the **Latch Bolt**.

Test and Confirm – Release Lever Operation

Seat Stays Up

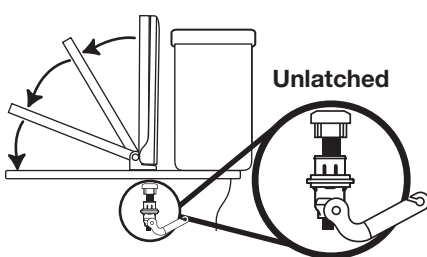


Latched

Test and confirm the Release Lever is operating properly.

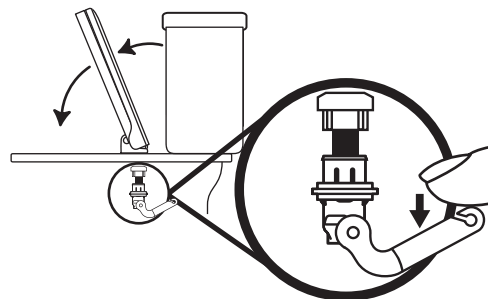
- Put the **Toilet Tank Cover** back on
- Lift the **Toilet Seat Cover** to latch the **Release Latch**
- Check the **Release Lever**, is the **Release Lever** in the “Up” or “Latched” position?

If Seat Falls



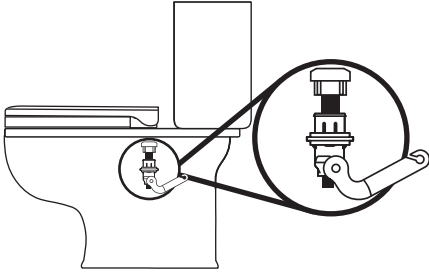
Unlatched

- | Yes | No |
|--|--|
| <ul style="list-style-type: none"> • Lightly pull the Release Lever down and the Release Latch will “unlatch”, automatically closing the Toilet Seat Cover • Go to Step 3.1 | <ul style="list-style-type: none"> • Go to the Trouble Shooting Section “Release Lever Does Not Latch” |

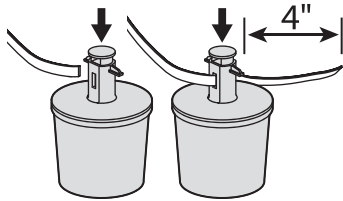


Important! The Float needs to be positioned “behind” the Latch Bolt.

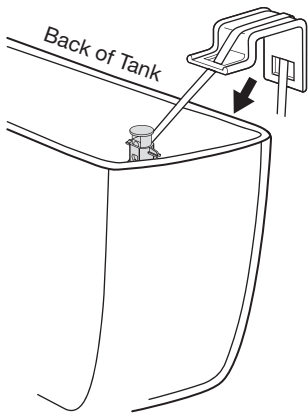
Cord, Cord Guide and Glide Installation



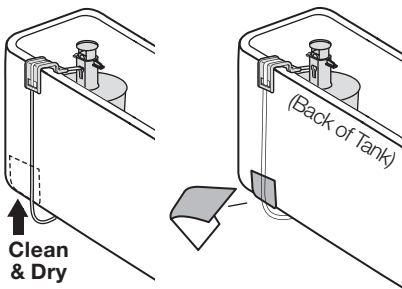
- 3.1 **Toilet Seat and Cover** must be in down position. **Release Lever** must be in the “unlatched” position.



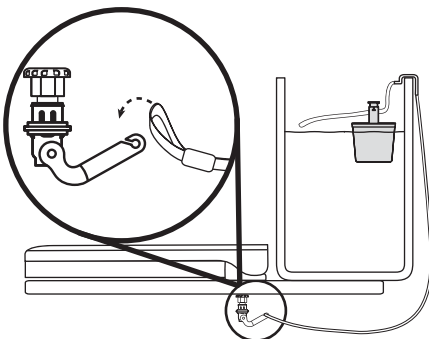
- 3.2 Depress the **Lock Button** on the **Float** and insert 4 inches of the **Loose End** (non-Looped End) of the **Cord**.



- 3.3 Bend the **Cord Guide** into a “U” shape so that the side with the **Cord** exposed is facing up when hung on the back “top edge” of the **Tank**. Do not allow the **Cord** to twist.
- 3.4 Thread the **Cord** behind the **Toilet Tank**, making sure that the **Cord** does not twist.



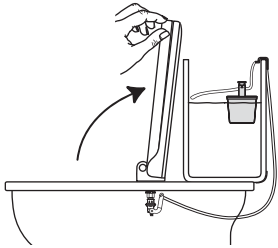
- 3.5 Clean bottom edge of the **Toilet Tank** where the **Cord** will be making contact with the **Tank**.
- 3.6 Peel away the protective cover over the adhesive for the **Slide**. Attach to the back edge of the **Tank** where the **Cord** makes contact with the **Tank**.



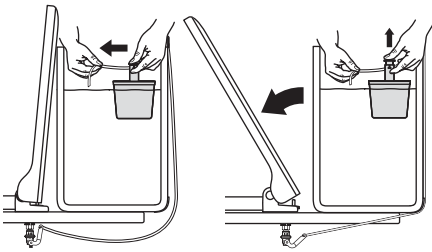
- 3.7 Attach the **Cord Loop** to the **Release Lever** by slipping the **Cord Loop** through the slot on the **Release Lever**. Confirm it is secured in the slot.

Adjusting Cord

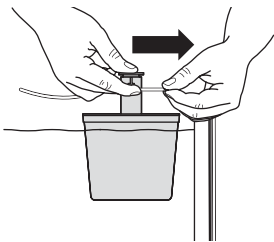
Important! Do not make adjustments after flushing until the water stops refilling the tank. Harmony will not work properly until the tank is full.



- 4.1 Raise the **Toilet Seat Cover** and **Ring** to the upright position to set the **Release Latch**.



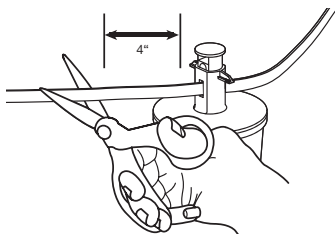
- 4.2 Holding the **Float** in its position in the **Tank**, pull the slack **Cord** through the **Float** by pressing the **Lock Button**. Stop pulling when the **Latch** is released and the **Seat** falls forward.



- 4.3 Back out ½" of **Cord**.

- 4.4 Raise the **Toilet Seat Cover** and **Ring** to the upright position. Do the **Cover** and **Ring** stay up?

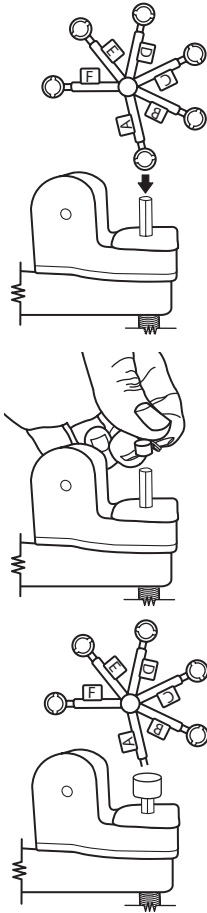
| Yes | No | |
|---|---|--|
| <ul style="list-style-type: none"> • Flush Toilet • If the Ring and Cover go down automatically, go to Step 4.5 • If the Ring and Cover stay upright when flushed, go to “Troubleshooting – Cover and Ring Do Not Close when Latch Released” | <ul style="list-style-type: none"> • Loosen Cord by another ½" • Wait until the tank is refilled with water. • Raise Ring and Cover ... do they stay upright? | No |
| | Yes | <ul style="list-style-type: none"> • Flush Toilet, if Ring and Cover go down automatically, go to Step 4.5 |



- 4.5 Once you have made your final **Cord** adjustments, cut the excess **Cord**, leaving approximately 4" of additional **Cord**.

- 4.6 Place **Toilet Tank Cover** back on toilet tank.
 4.7 Confirm that the system is working properly.
 4.8 Enjoy Harmony!

Troubleshooting – Toilet Seat Cover and Ring Do Not Stay Upright

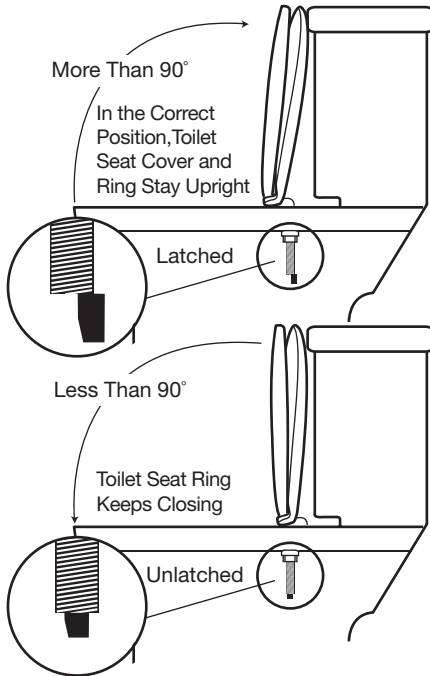


When you try to put the **Seat Cover** and **Ring** in the upright position, the **Seat Cover** and **Ring** get pushed forward and close... how do I correct this?

- First check to be sure that the **Toilet Tank Cover** is back as far as it should be... (this can interfere with the **Seat Cover** laying back properly), adjust **Tank Cover** and try again
- If the **Toilet Tank Cover** is in the proper location, but the **Cover** and **Ring** are not staying upright, you will need to increase the height of the **Push Rod** using the **Spacer Caps**
- Take **Spacer Cap “A”** (the thinnest cap) and press it on to the **Push Rod** (see diagram)
- Hold your thumb on the **Spacer Cap** and twist the stem, leaving the **Spacer Cap** on the **Push Rod**
- Lift the **Toilet Seat Cover** and **Ring** to the upright position and hold for two seconds... do they stay upright?

| Yes | No – Both Cover & Ring Fall Forward | No – Cover Stays Upright, Ring Falls |
|--|--|--|
| <ul style="list-style-type: none"> • Confirm that the Release Latch is “latched”... then press to release • Move on to Step 2.1 | <ul style="list-style-type: none"> • Remove Spacer Cap “A” from the Push Rod • Place Spacer Cap “B” on the Push Rod • Lift toilet Seat Cover and Ring to the upright position • If both Cover and Ring stay upright, move to Step 2.1 • If both Cover and Ring fall forward, repeat process with Spacer Caps “C”, “D”, “E” and “F” until you find the Spacer Cap that allows the Cover and Ring to stay upright • When you find the correct Spacer Cap, move to Step 2.1 • If you try all the Spacer Caps and the Cover and Ring still fall forward, call Bemis Customer Support at 1-800-332-6711 | <ul style="list-style-type: none"> • If the Cover stays upright and the Ring falls forward, call Bemis Customer Support at 1-800-332-6711 |

Troubleshooting – Cover Stays Up, Ring Falls

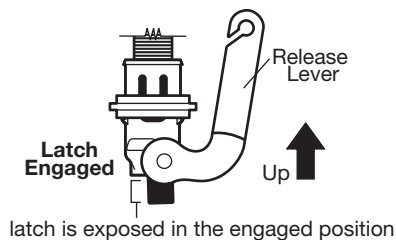
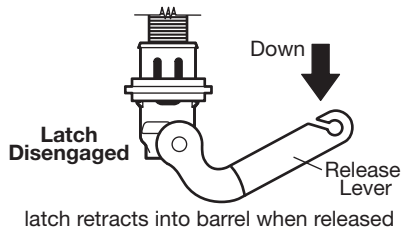


The **Toilet Seat Cover** and **Ring** must “layback” to prevent them from “falling” forward. The **Tank** and **Tank Cover** on the toilet affect **Toilet Seat** layback. A small number of toilets do not have enough seat layback for **Harmony** to work properly. The following steps will confirm if your toilet has enough layback for your **Harmony Seat**.

- Confirm that the **Toilet Seat Mounting Bolts** are properly tightened
- Confirm that the **Tank Cover** is in its proper position (not too far forward)
- During installation, some tanks are not aligned properly and “lean” forward... take a good look at your tank to confirm it is properly installed. Depending on tank style, you may be able to confirm alignment using a level. Minor adjustments can correct improper “lean”
- Fuzzy tank covers or other items add “thickness” to the tank, reducing the room for seat layback... remove any obstructions and try again

If after trying these solutions, your **Toilet Seat Cover** stays upright, but the **Ring** continues to fall, call Bemis customer support at 1-800-332-6711.

Troubleshooting – Release Lever Does Not Latch

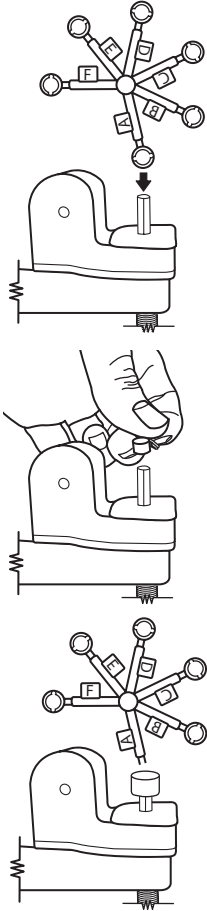


When you place the **Seat Cover** in the upright position, the **Seat Cover** stays in the upright position but the **Release Lever** does not latch... how do I correct this?

- The **Release Barrel** is not properly positioned on the **Harmony Latch Bolt**
- Slide the **Lock Ring** up to the “Unlocked” position
- Push the **Release Barrel** up the **Latch Bolt** as far as it will go
- Gently slide the **Lock Ring** down into the “Locked” position
- Lift **Seat Cover** to test **Release Lever**, pull the **Release Lever** down to unlatch the **Latch Bolt**
- Move on to Step 3.1

NOTE: If still not latching, remove **Release Barrel** and go back to Step 2.1... be sure that the **Release Latch** is properly aligned with the **Release Barrel** when sliding onto the **Latch Bolt**.

Troubleshooting – Cover and Ring Do Not Close when Latch Released



- Take **Spacer Cap “A”** (the thinnest cap) and press it on to the **Push Rod** (see diagram)
- Hold your thumb on the **Spacer Cap** and twist the stem, leaving the **Spacer Cap** on the **Push Rod**
- Lift **Toilet Seat Cover and Ring** to the upright position... Do the **Cover and Ring** stay upright?

| Yes | No |
|---|---|
| <ul style="list-style-type: none"> • Press the Release Latch • If the Cover and Ring fall gently forward, go to Step 2.1 • If the Cover and Ring stay in the upright position, repeat process with Spacer Cap “B”, “C”, “D”, “E” and “F”, until you find the one that works for your toilet • With the proper Spacer Cap in place, go to Step 2.1 | <ul style="list-style-type: none"> • Call Bemis Customer Support at 1-800-332-6711 |

Limited Warranty

This product is guaranteed against defects in material and workmanship. If this product is defective, your exclusive remedy will be a replacement product of equal value. Expenses for removal and replacement are not covered.



BEMIS MANUFACTURING COMPANY

300 Mill Street
Sheboygan Falls, WI 53085 USA

Customer Service
Phone: 1-800-332-6711
Email: toiletseats@bemismfg.com