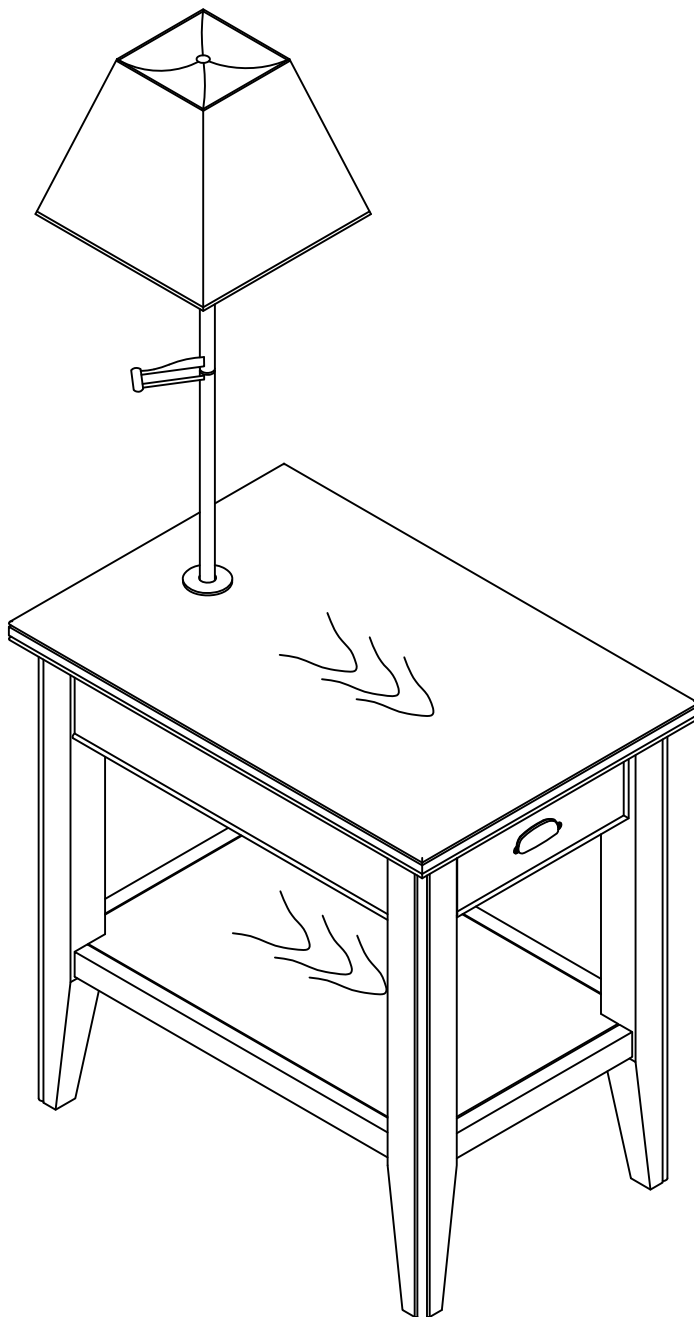


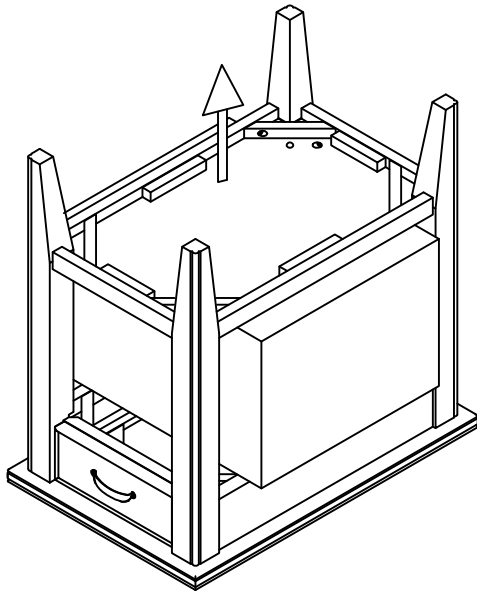
Assembly Instructions, #10537 Lamp Table



| | |
|---------------------|--|
| A: (4) Bolts | |
| B: (4) Flat Washers | |
| C: (4) Lock Washers | |
| D: Allen Wrench | |
| E: Wrench | |
| F: Cap | |

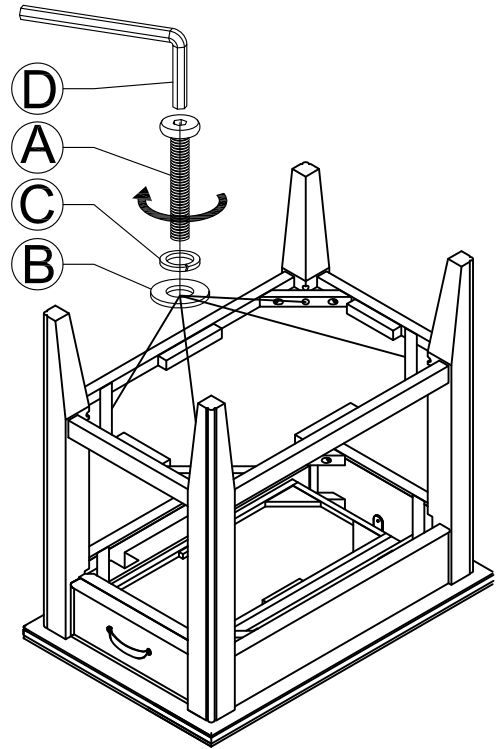
Step 1

Remove all the parts inside of the table.



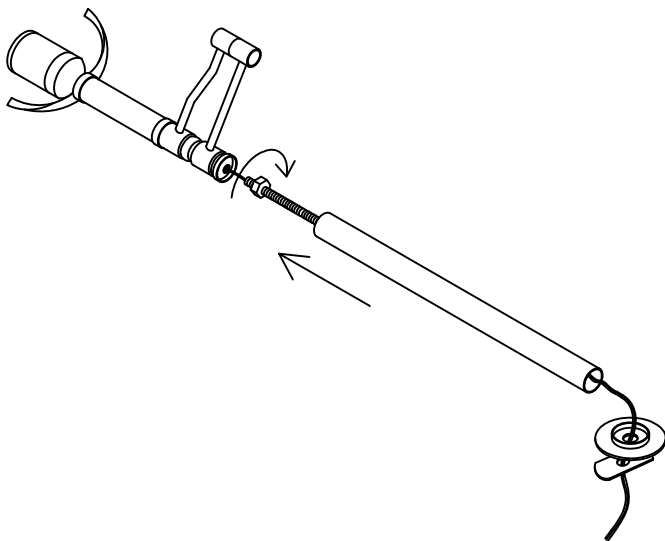
Step 2

Fasten the shelf to the legs with (4) bolts and flat washers and lock washers, tighten bolts. Ask for another set of hands to help hold the shelf while the bolts are inserted.



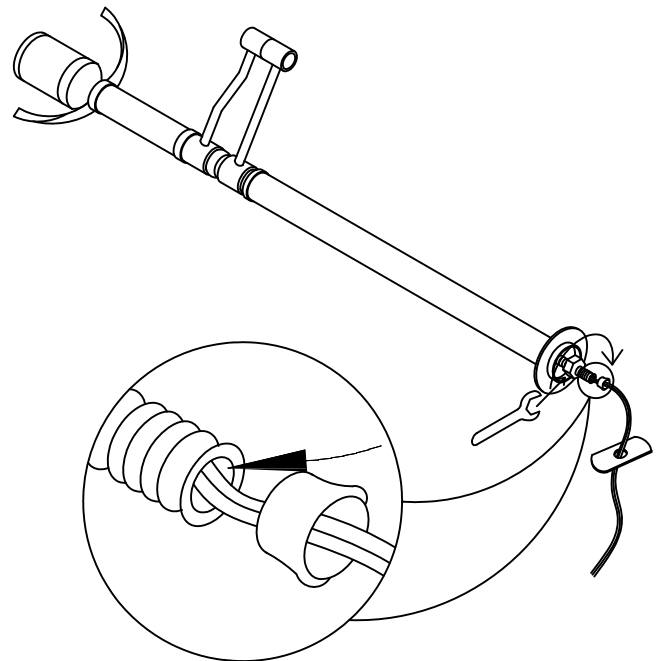
Step 3

Pull on cord from bottom and slide threaded tube up to swing arm. Turn threaded tube in about three rotations and lock down with nut and wrench.

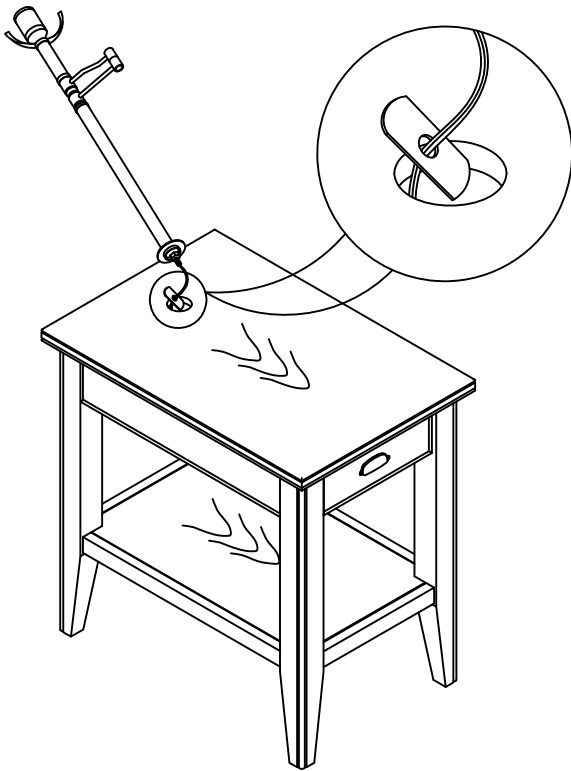


Step 4

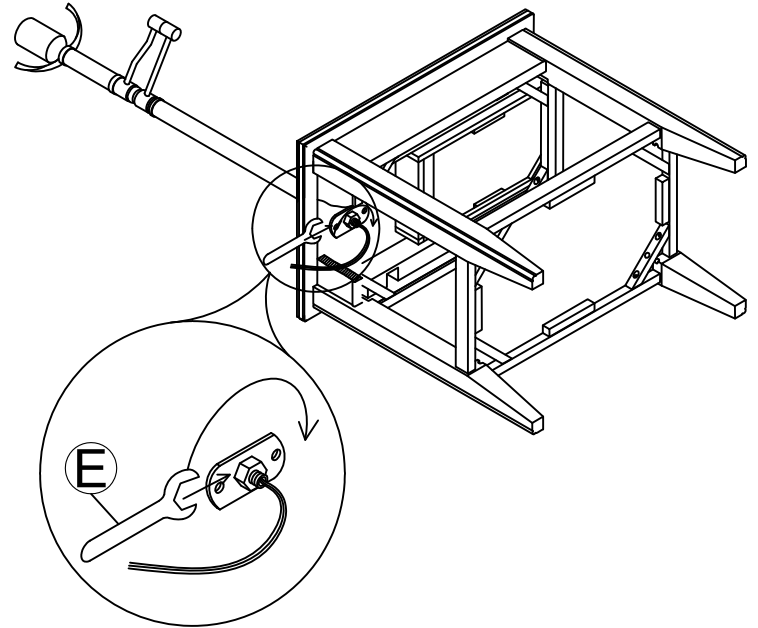
Slide plastic insulator up into bottom of threaded tube. Then slide round flange and nut up to post and tighten.



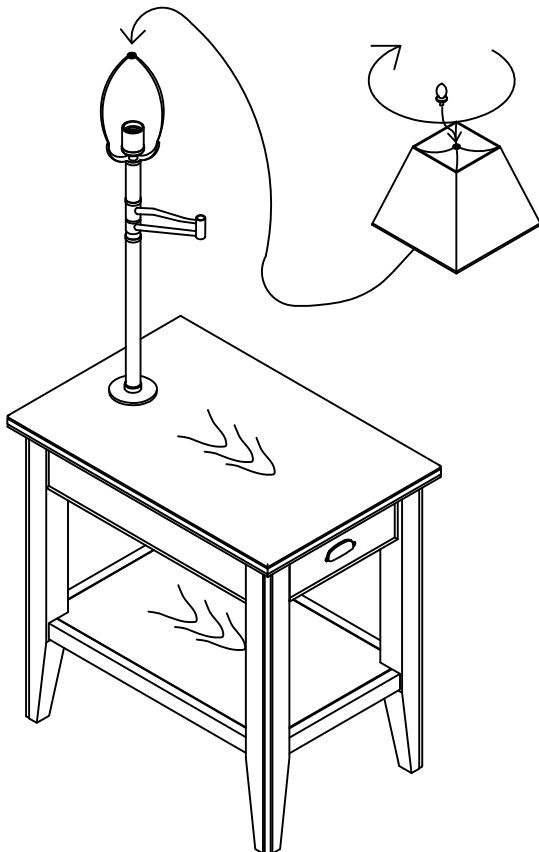
Step 5
Pull the plug / cord and metal bracket through hole in table top.



Step 6
Lay table on it's side. Turn the mounting bracket onto the threaded tube and tighten.



Step 7
Place the harp into the fixture and install shade.



Step 8
Pull cord through hole in back of table and insert grommet into hole.

