

# Assembly Guide

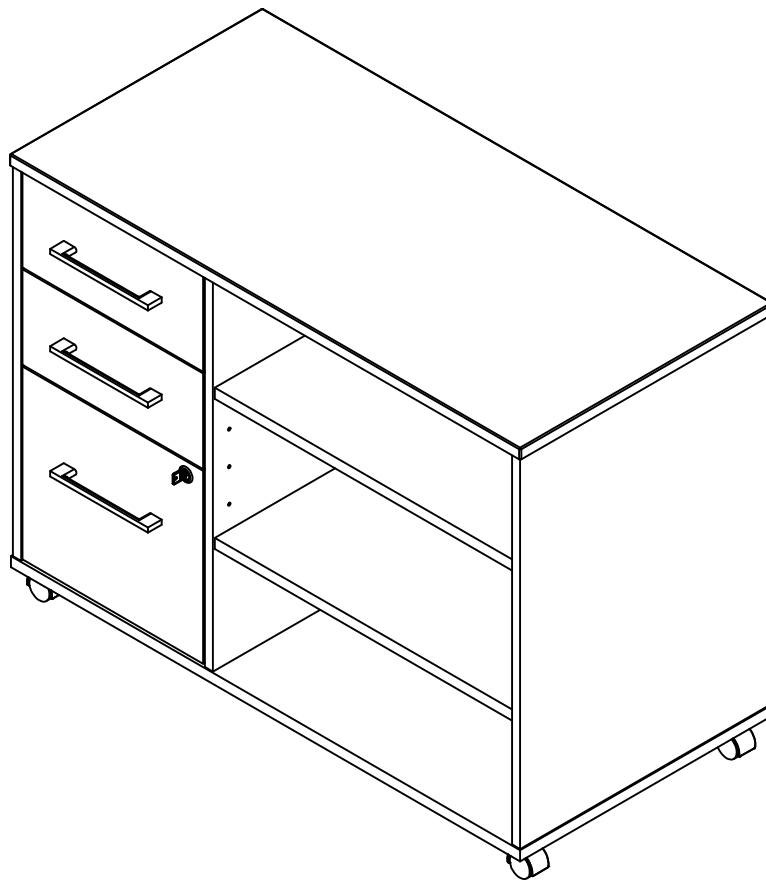


If you're having any difficulty during assembly of this product, don't hesitate to call us at **1-800-950-4782.**

Our customer service experts are trained to provide step-by-step instruction and can easily replace any missing or damaged parts.

**Representatives are available Monday-Friday from 8:30 a.m. to 7:30 p.m. (ET)**

## 40W Mobile Storage Cabinet



Lot Code #

Instruction Sheet Number A216547B

Keep manual for future reference.

## For best results, keep these tips in mind:

- ① We know you want to finish this assembly as quickly as possible, but trust us: you'll have a better experience if you take it one step at a time.
- ② Give yourself some room to work near where you want the fully assembled product.
- ③ If your floor isn't carpeted, assemble this product on the empty carton to avoid scratching.
- ④ Do you have a friend who owes you a favor? Some steps may go a little easier with a second set of hands.

## DOs

- ✔ Use a #2 Phillips head screwdriver (or other handheld tools as indicated)
- ✔ Wear safety glasses at all times during assembly
- ✔ Carefully follow the instructions in this guide and complete all steps in order
- ✔ Give us a call if you're having trouble with a particularly tricky step

## DON'Ts

- ✘ We know power tools are quick and easy, but you shouldn't use them when assembling this product (unless otherwise specified)
- ✘ Never move your furniture with items inside or resting on the surface
- ✘ Do not attempt to use this product before all steps have been completed

## Watch assembly videos right on your phone or computer!



Some steps include QR codes that link to helpful videos. Watch out for the icon below! Simply open up your smartphone camera to scan the code.

*(Users of older smartphones may need to install a QR Reader.)*

### SCAN HERE



FOR VIDEOS

Or visit <https://bushfurniture.com/help-faq/#assembling>



# IMPORTANT SAFETY INFORMATION



## PLEASE READ WARNINGS

Improper use can cause safety hazards, or damage to your furniture and household items.

Warning	Do	Don't	Why it's important
<b>Serious injury may occur.</b>	<ul style="list-style-type: none"><li>Assemble following all instructions using all indicated parts and hardware provided.</li><li>Install every indicated nail and/or screw.</li><li>Verify furniture is stable on it's own.</li><li>Place heaviest items in the lower drawers.</li><li>Always load the bottom drawer first.</li></ul>	<ul style="list-style-type: none"><li>Do not move unit when loaded.</li><li>Do not load with a television or other heavy equipment.</li><li>Never exceed the maximum load limits stated in the instructions.</li></ul>	Improper assembly, use or loading can lead to product instability, tip-over or collapse.

Caution	Do	Don't	Why it's important
<b>Serious injury may occur.</b>	<ul style="list-style-type: none"><li>Unload unit prior to moving starting with top drawer first.</li></ul>	<ul style="list-style-type: none"><li>Do not move unit when loaded.</li></ul>	Loaded units are heavy and are not designed to be moved when loaded.

# IMPORTANT SAFETY INFORMATION



## PLEASE READ WARNINGS

Improper use can cause safety hazards, or damage to your furniture and household items.

Advertencia	Hacer	No	Por qué es importante
<b>Pueden producirse lesiones graves.</b>	<ul style="list-style-type: none"><li>• Realice el montaje siguiendo todas las instrucciones y utilizando todas las piezas indicadas y los herrajes suministrados.</li><li>• Instale todos los clavos y/o tornillos indicados.</li><li>• Compruebe que el mueble sea estable por sí mismo.</li><li>• Coloque los objetos más pesados en los cajones inferiores.</li><li>• Cargue siempre primero el cajón inferior.</li></ul>	<ul style="list-style-type: none"><li>• No mueva la unidad cuando esté cargada.</li><li>• No cargue el mueble con un televisor u otro equipo pesado.</li><li>• No supere los límites máximos de carga indicados en las instrucciones.</li></ul>	El montaje, uso o carga inadecuados pueden provocar inestabilidad, vuelco o colapso del producto.

Atención	Hacer	No	Por qué es importante
<b>Pueden producirse lesiones graves.</b>	<ul style="list-style-type: none"><li>• Descargue el mueble antes de moverlo empezando por el cajón superior.</li></ul>	<ul style="list-style-type: none"><li>• No mueva la unidad cuando esté cargada.</li></ul>	Las unidades cargadas son pesadas y no están diseñadas para ser movidas cuando están cargadas.

# IMPORTANT SAFETY INFORMATION



## PLEASE READ WARNINGS

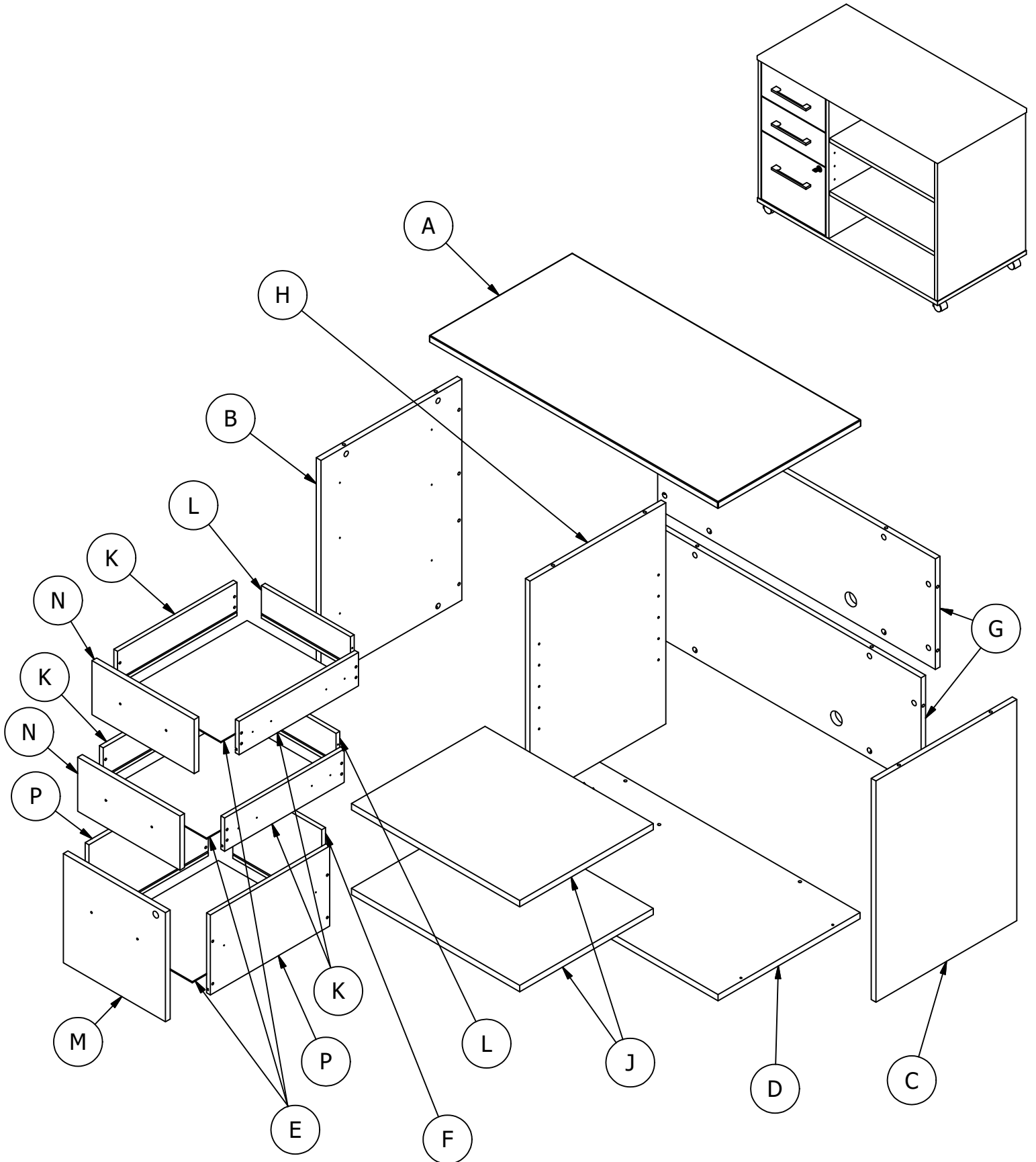
Improper use can cause safety hazards, or damage to your furniture and household items.

Avertissement	À faire	À ne pas faire	Pourquoi c'est important
<b>Peut entraîner des blessures graves.</b>	<ul style="list-style-type: none"><li>Assembler en suivant toutes les instructions et en utilisant toutes les pièces et la quincaillerie incluses.</li><li>Installer tous les clous et/ou toutes les vis.</li><li>Assurez-vous que le meuble soit stable par lui-même.</li><li>Placer les objets les plus lourds dans les tiroirs du bas.</li><li>Toujours remplir le tiroir du bas en premier.</li></ul>	<ul style="list-style-type: none"><li>Ne pas déplacer le meuble lorsqu'il est chargé.</li><li>Ne pas charger le meuble avec un téléviseur ou tout autre équipement lourd.</li><li>Ne pas dépasser les limites de poids maximales indiquées dans les instructions.</li></ul>	Un assemblage, une utilisation ou un chargement incorrects peuvent entraîner l'instabilité, le basculement ou l'effondrement du produit.

Attention	À faire	À ne pas faire	Pourquoi c'est important
<b>Peut entraîner des blessures graves.</b>	<ul style="list-style-type: none"><li>Vider le meuble avant de le déplacer en commençant par le tiroir du haut.</li></ul>	<ul style="list-style-type: none"><li>Ne pas déplacer le meuble lorsqu'il est chargé.</li></ul>	Les meubles chargés sont lourds et ne sont pas conçus pour être déplacés une fois chargés.

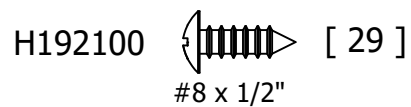
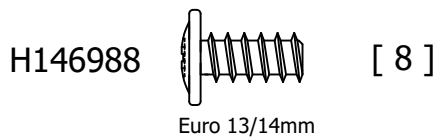
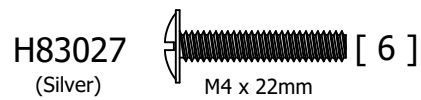
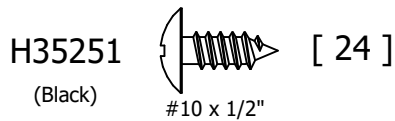
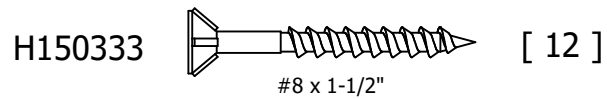
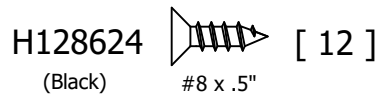
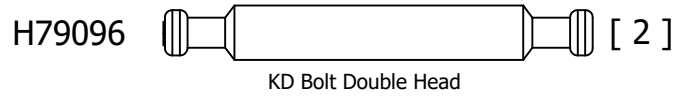
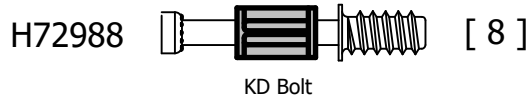
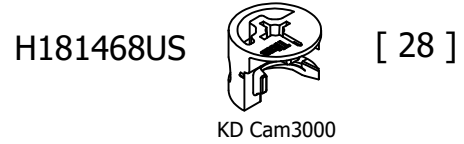
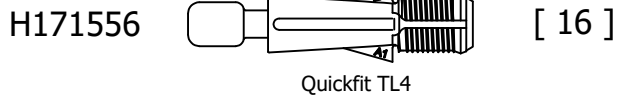
# Get to know your Boards

A216547B



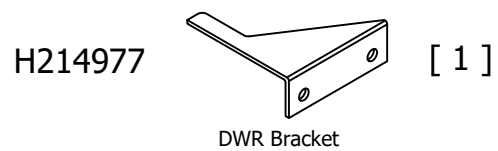
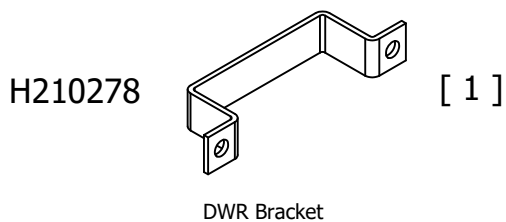
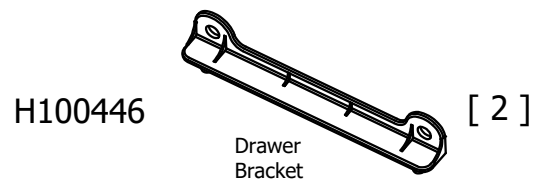
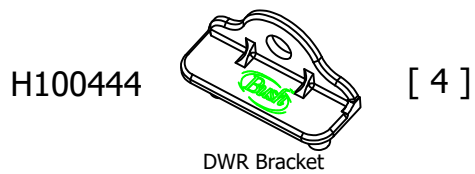
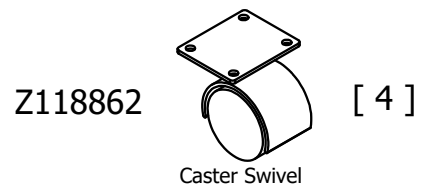
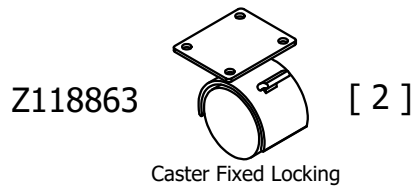
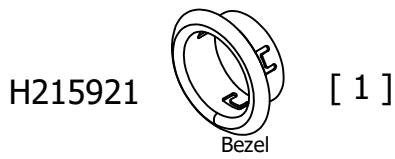
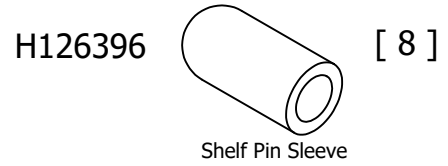
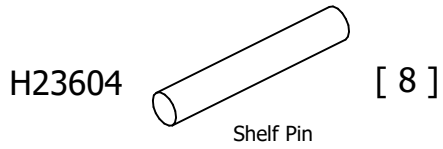
Have an assembly question or need a replacement part? Just call  
**1-800-950-4782**, we are here to help.

Fasteners are shown actual size.



Have an assembly question or need a replacement part? Just call  
**1-800-950-4782**, we are here to help.

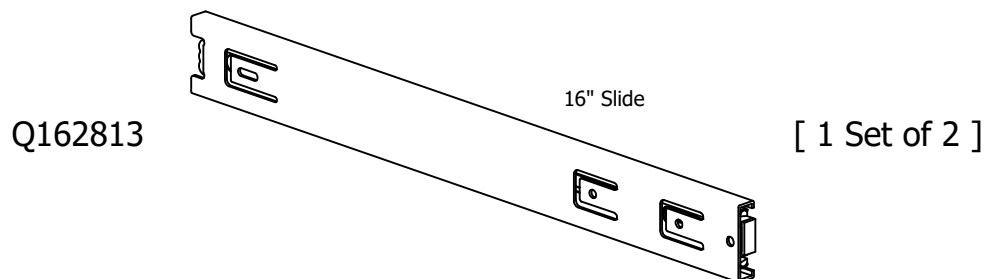
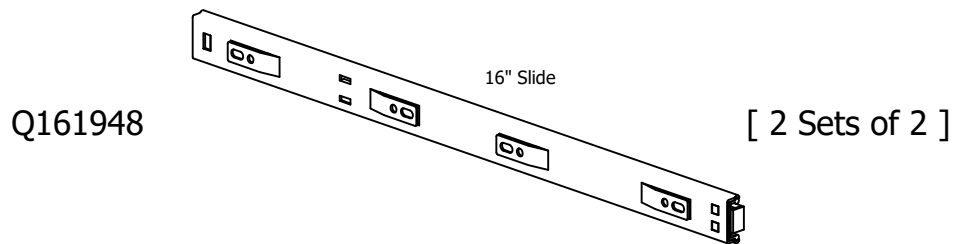
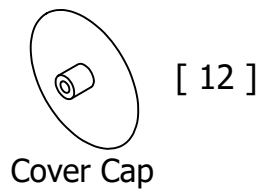
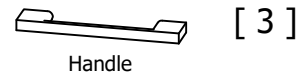
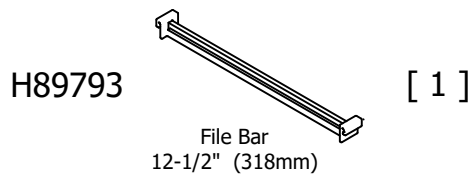
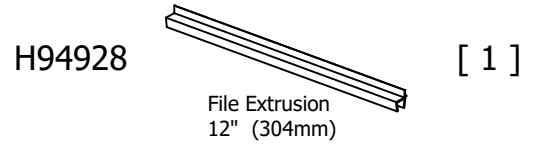
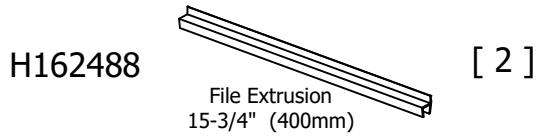
Hardware not to scale.



Have an assembly question or need a replacement part? Just call  
**1-800-950-4782**, we are here to help.



Hardware not to scale.



Have an assembly question or need a replacement part? Just call  
**1-800-950-4782**, we are here to help.

# STEP 1

## Prepare Panels

A216547B

H146988  
Euro 13/14mm

[ 4 ]

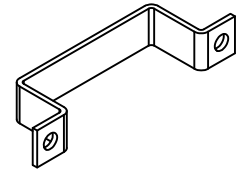
H100444



[ 4 ]

DWR Bracket

H210278

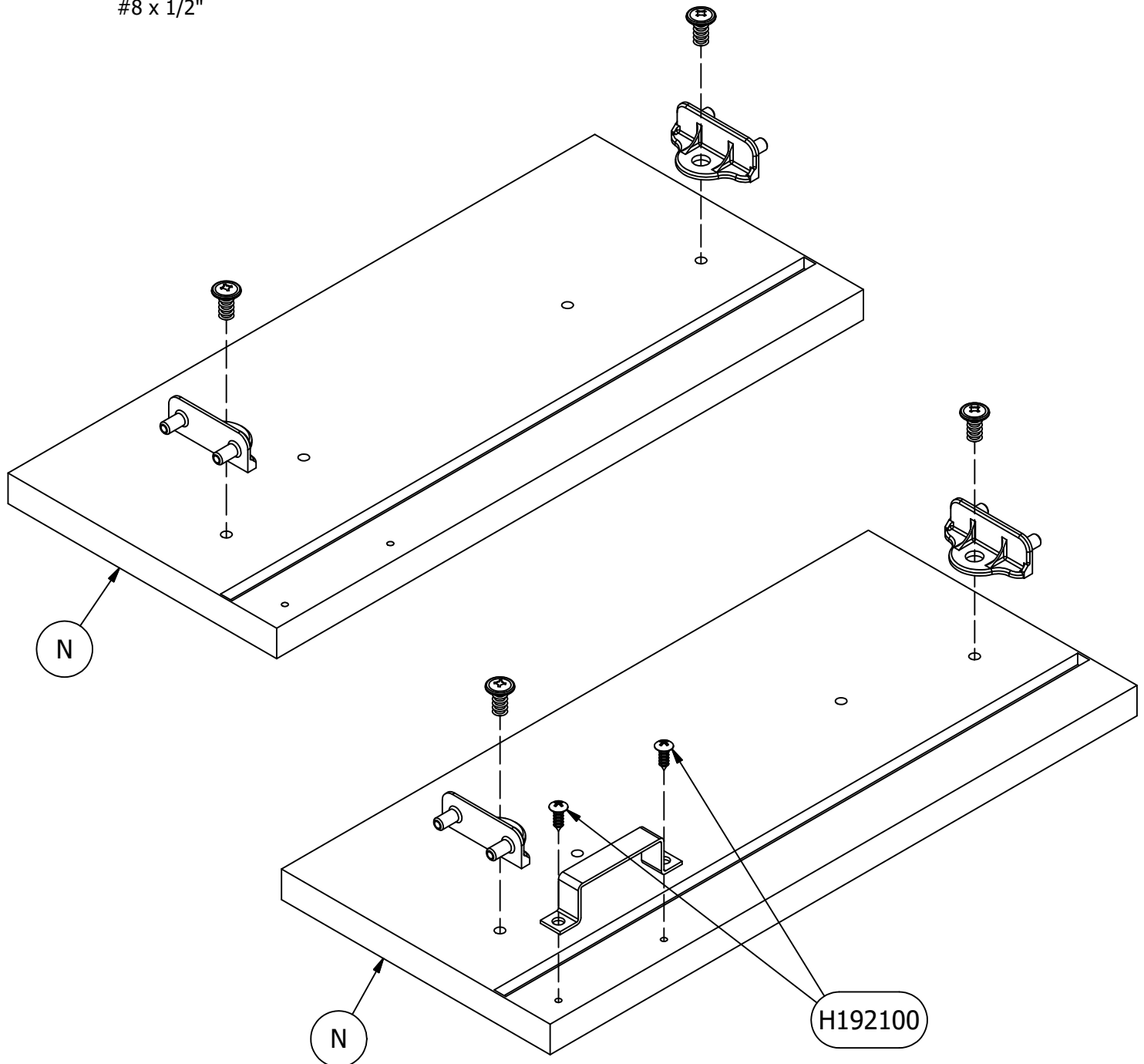


[ 1 ]

DWR Bracket

H192100  
#8 x 1/2"

[ 2 ]

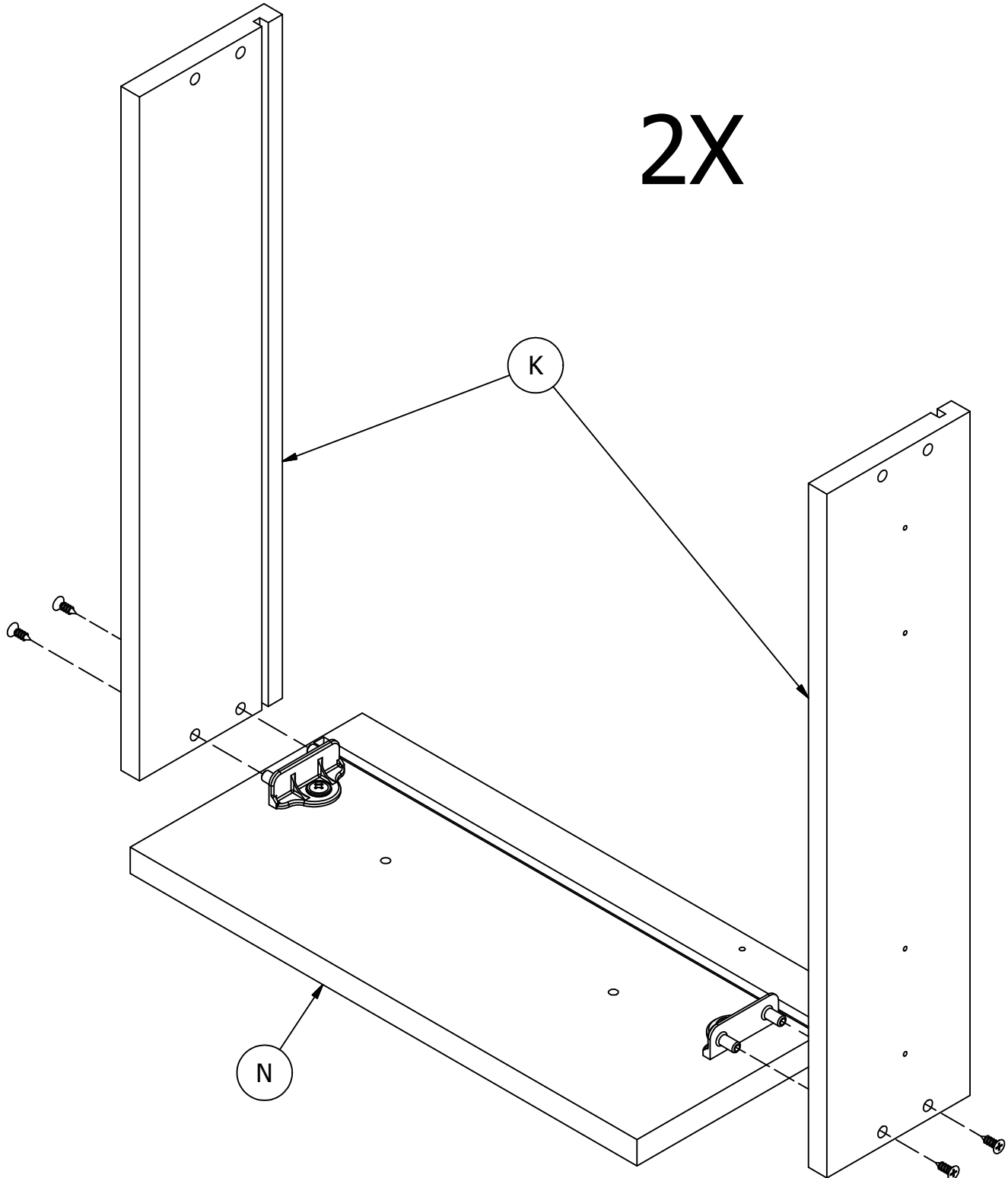


Have an assembly question or need a replacement part? Just call  
**1-800-950-4782**, we are here to help.

H128624 [ 8 ]  
(Black) #8 x .5"

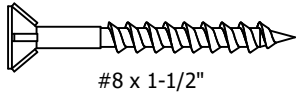


2X



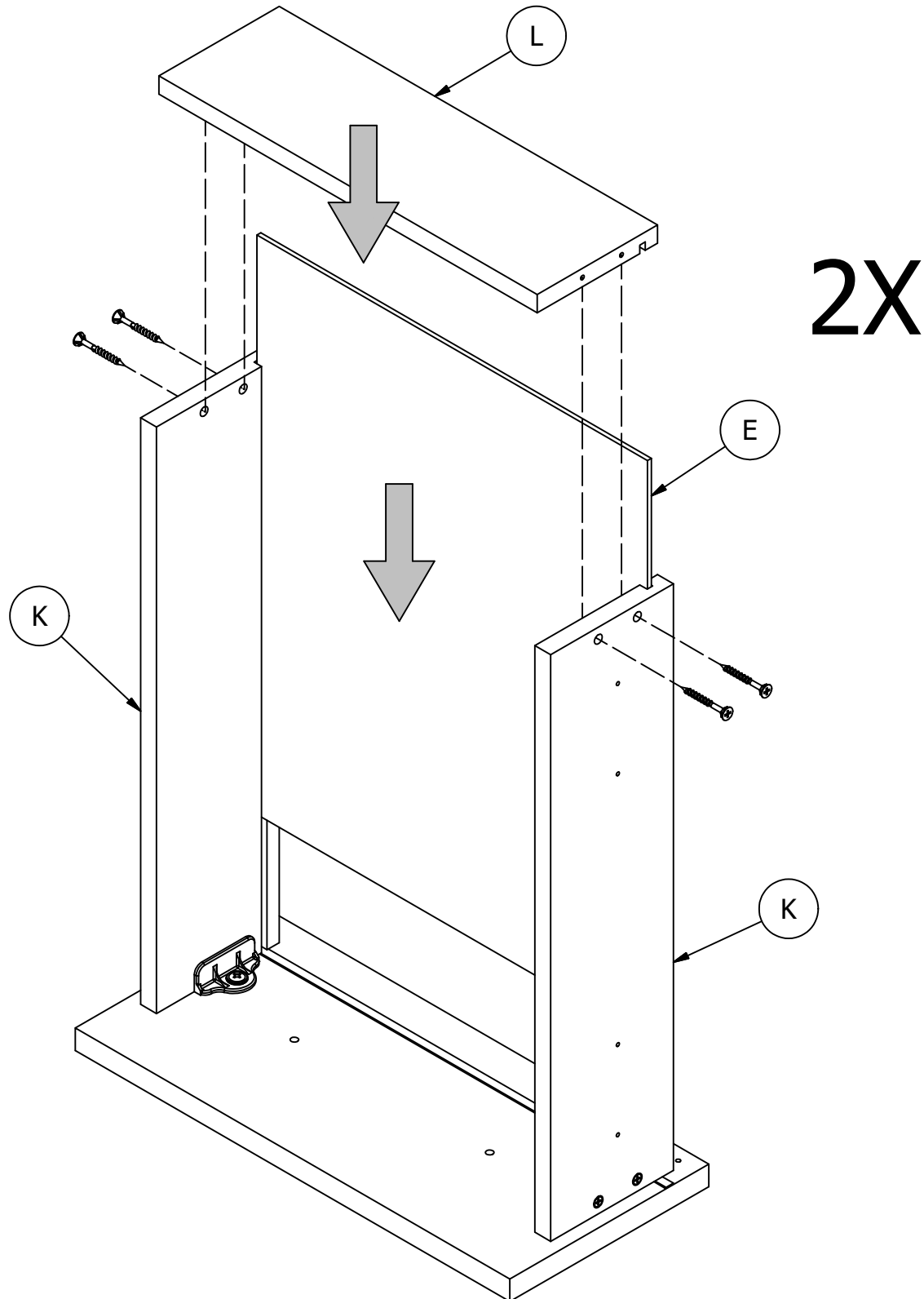
Have an assembly question or need a replacement part? Just call  
**1-800-950-4782**, we are here to help.

H150333



[ 8 ]

#8 x 1-1/2"



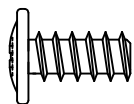
Have an assembly question or need a replacement part? Just call  
**1-800-950-4782**, we are here to help.

# STEP 4

## Prepare Panel

A216547B

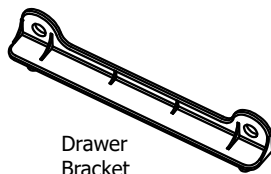
H146988



[ 4 ]

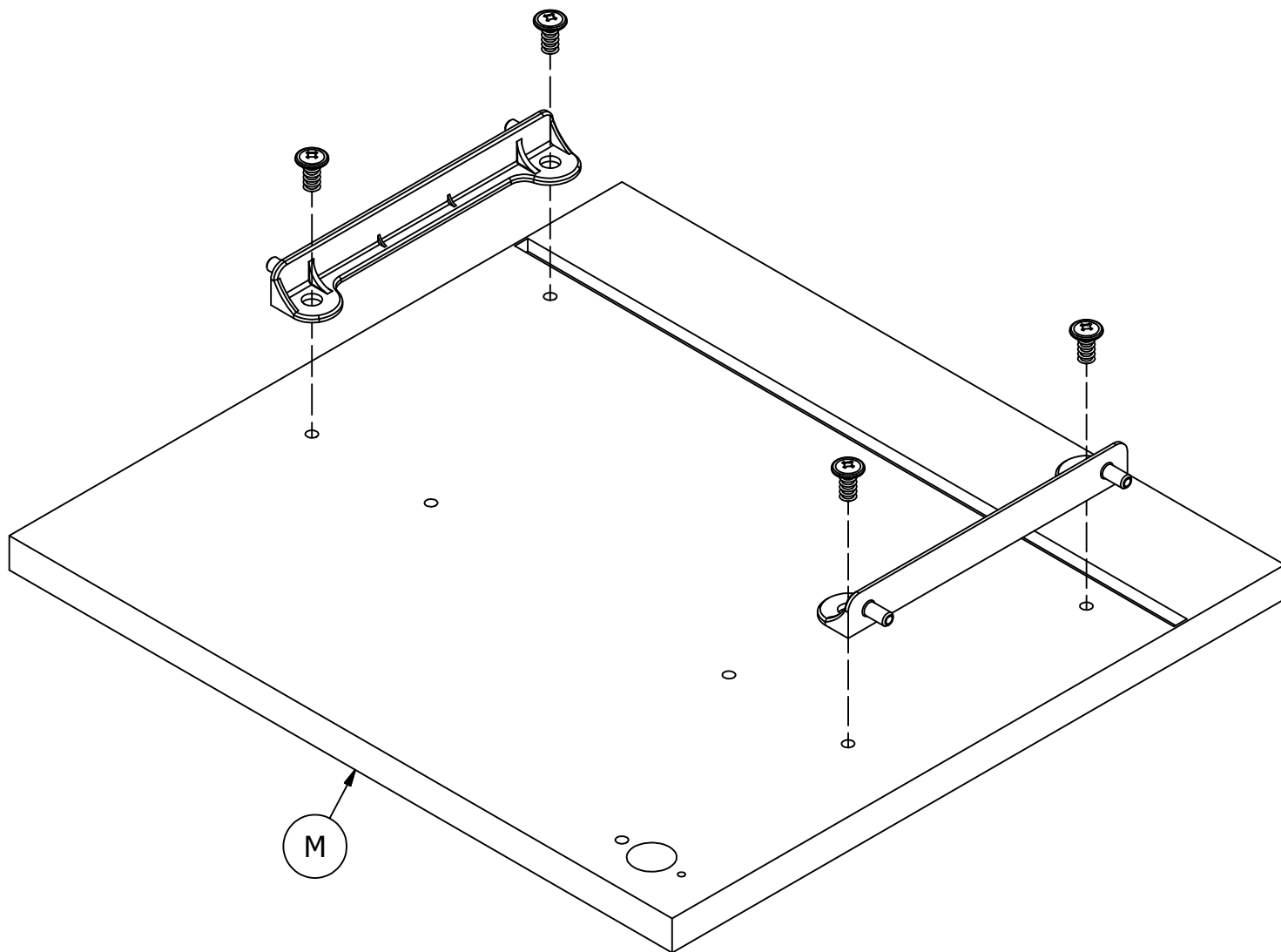
Euro 13/14mm

H100446



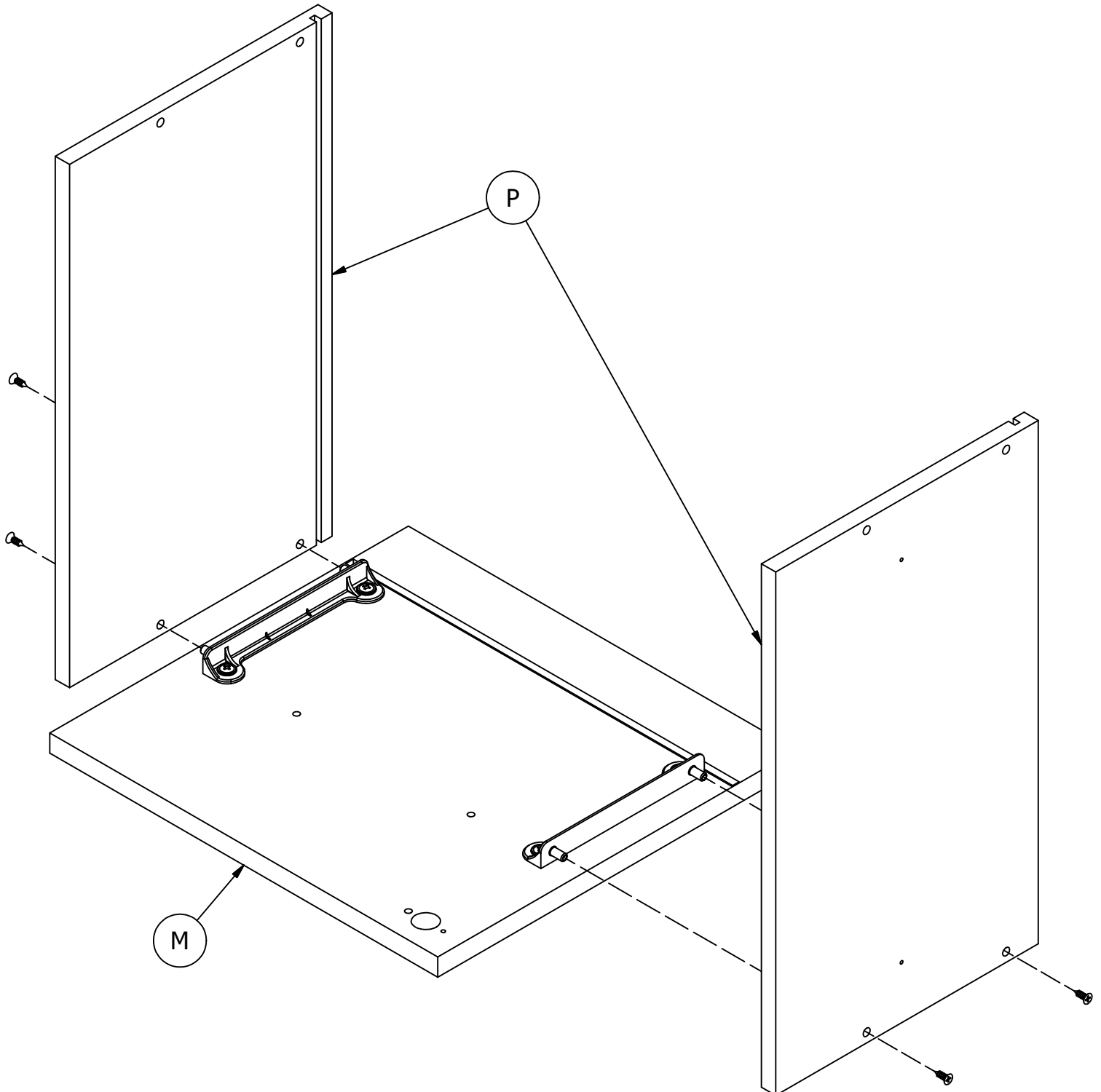
[ 2 ]

Drawer  
Bracket



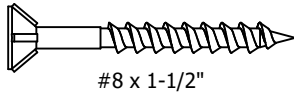
Have an assembly question or need a replacement part? Just call  
**1-800-950-4782**, we are here to help.

H128624 [ 4 ]  
(Black) #8 x .5"

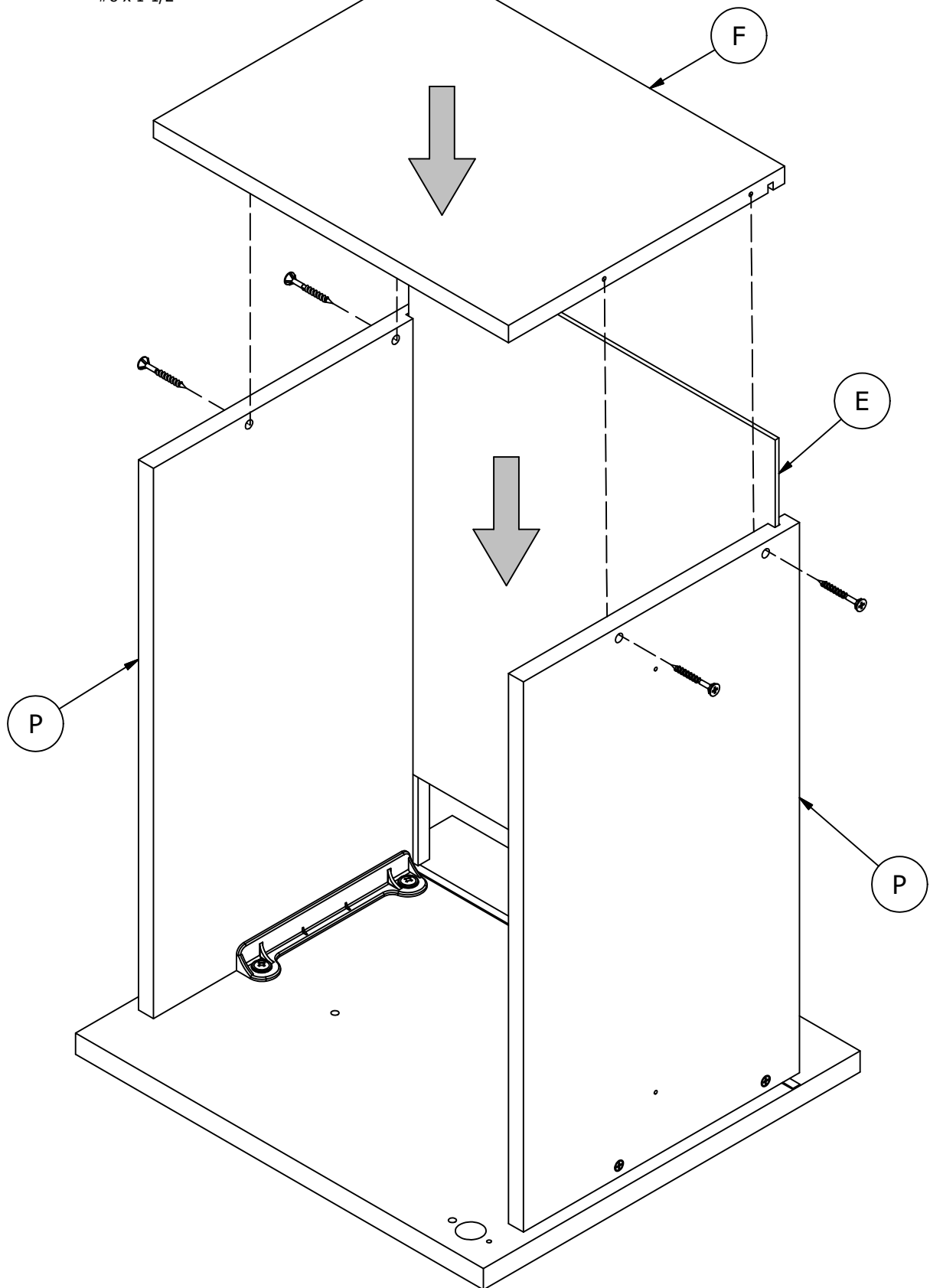


Have an assembly question or need a replacement part? Just call  
**1-800-950-4782**, we are here to help.

H150333



[ 4 ]



Have an assembly question or need a replacement part? Just call **1-800-950-4782**, we are here to help.

Scan QR Code to Watch Video on:

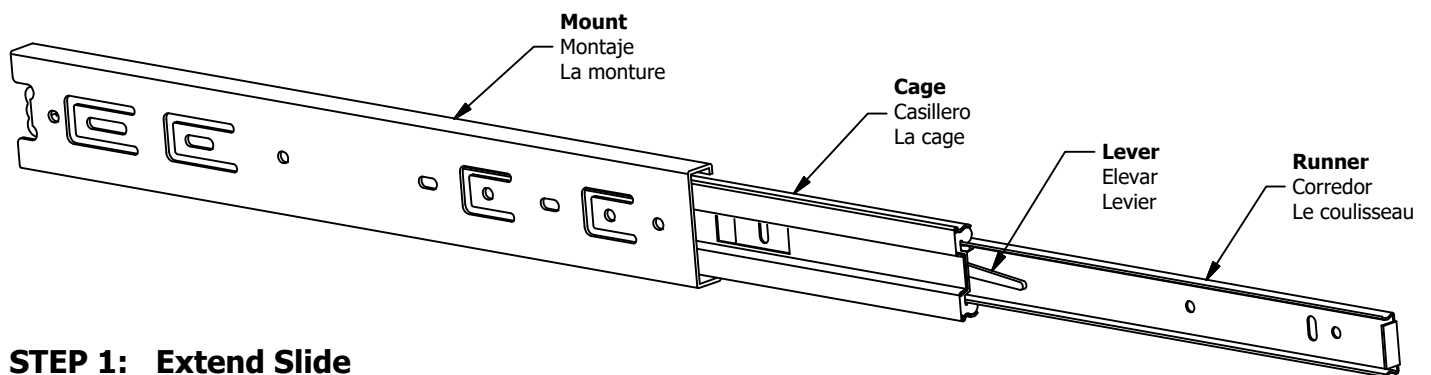


How to Separate and Install Drawer Slides

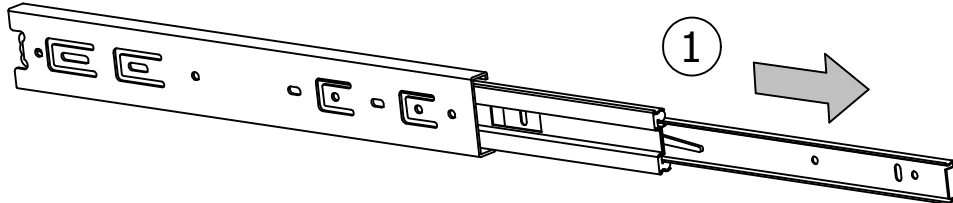
**Slides Must Be Separated Before Assembly.  
After Separated, Set Aside Until Needed for Assembly.**

Las diapositivas deben separarse antes del montaje.  
Después de la separación, déjelo a un lado hasta que sea necesario.

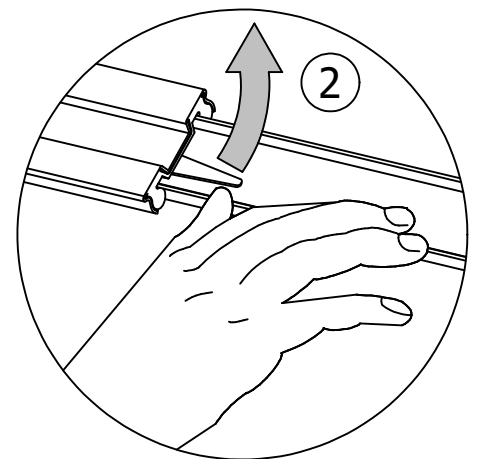
Les glissières doivent être séparées avant l'assemblage.  
Après la séparation, mettez de côté jusqu'au moment de l'assemblage.



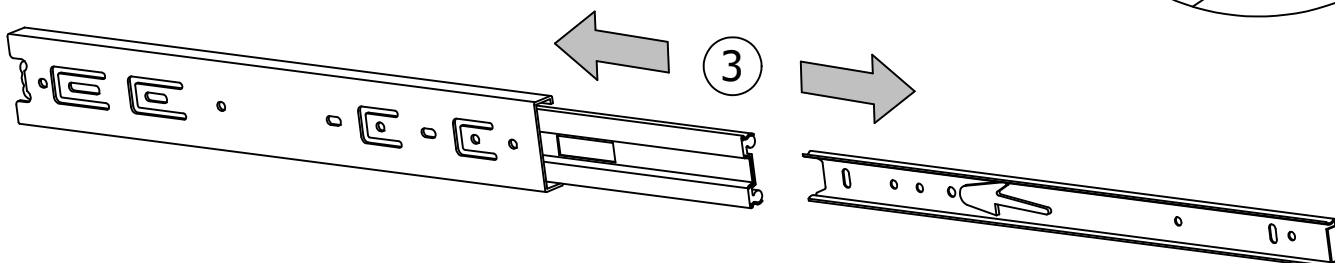
**STEP 1: Extend Slide**  
Extender la diapositiva  
Extendre la diapositive



**STEP 2: Push Lever UP**  
Empujar hacia arriba  
Lever le levier



**STEP 3: Remove Runner**  
Quitar el corredor  
Enlever le coureur



Have an assembly question or need a replacement part? Just call **1-800-950-4782**, we are here to help.



# STEP 8

# Attach Hardware

A216547B

H192100 [ 8 ]  
#8 x 1/2"

Orientation  
Orientación  
L'orientation

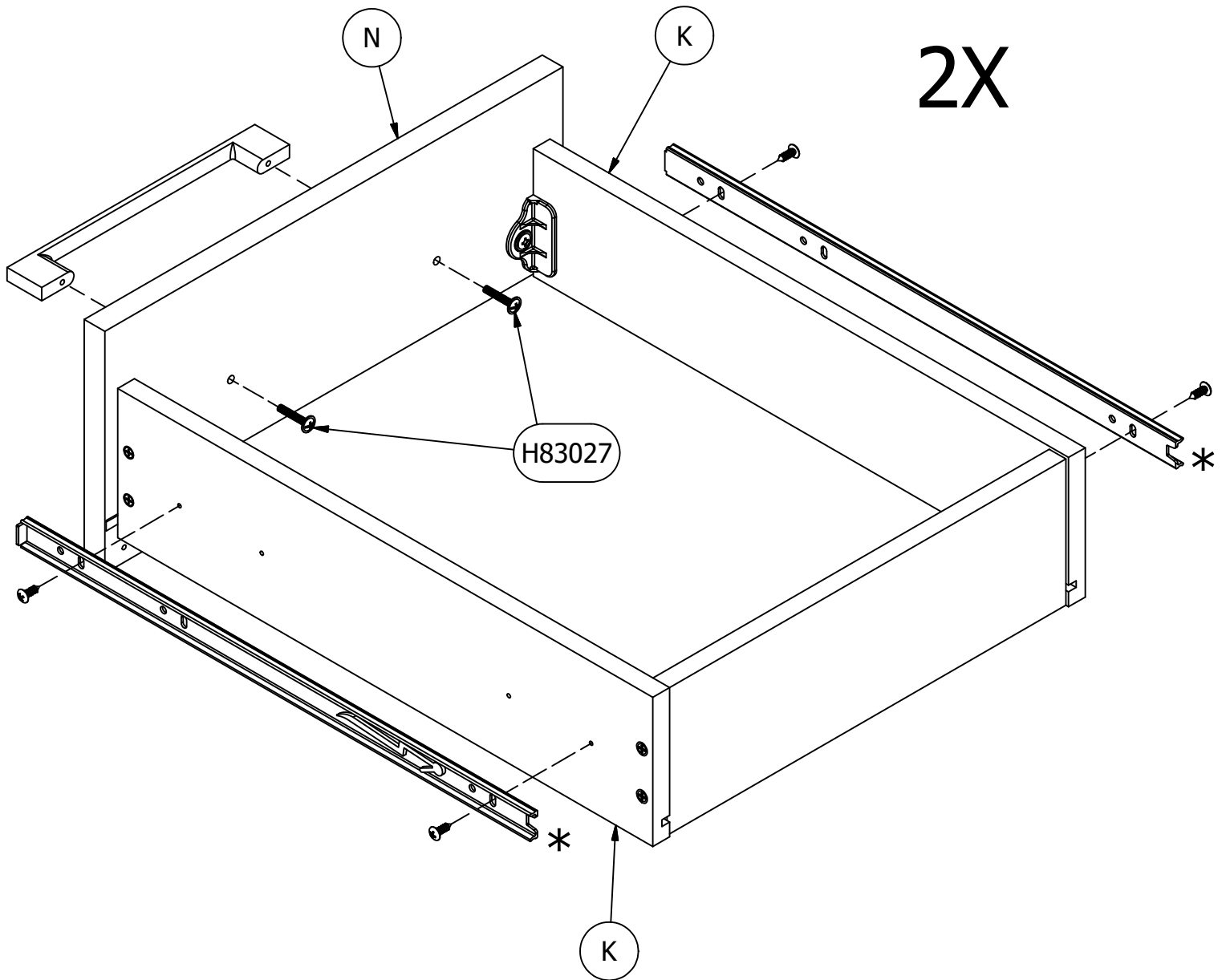
Q161948

16" Slide Runner

[ 4 ]

H83027 [ 4 ]  
(Silver)  
M4 x 22mm

Handle [ 2 ]

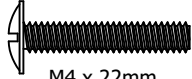


Have an assembly question or need a replacement part? Just call  
**1-800-950-4782**, we are here to help.

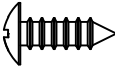
# STEP 9


# Attach Hardware

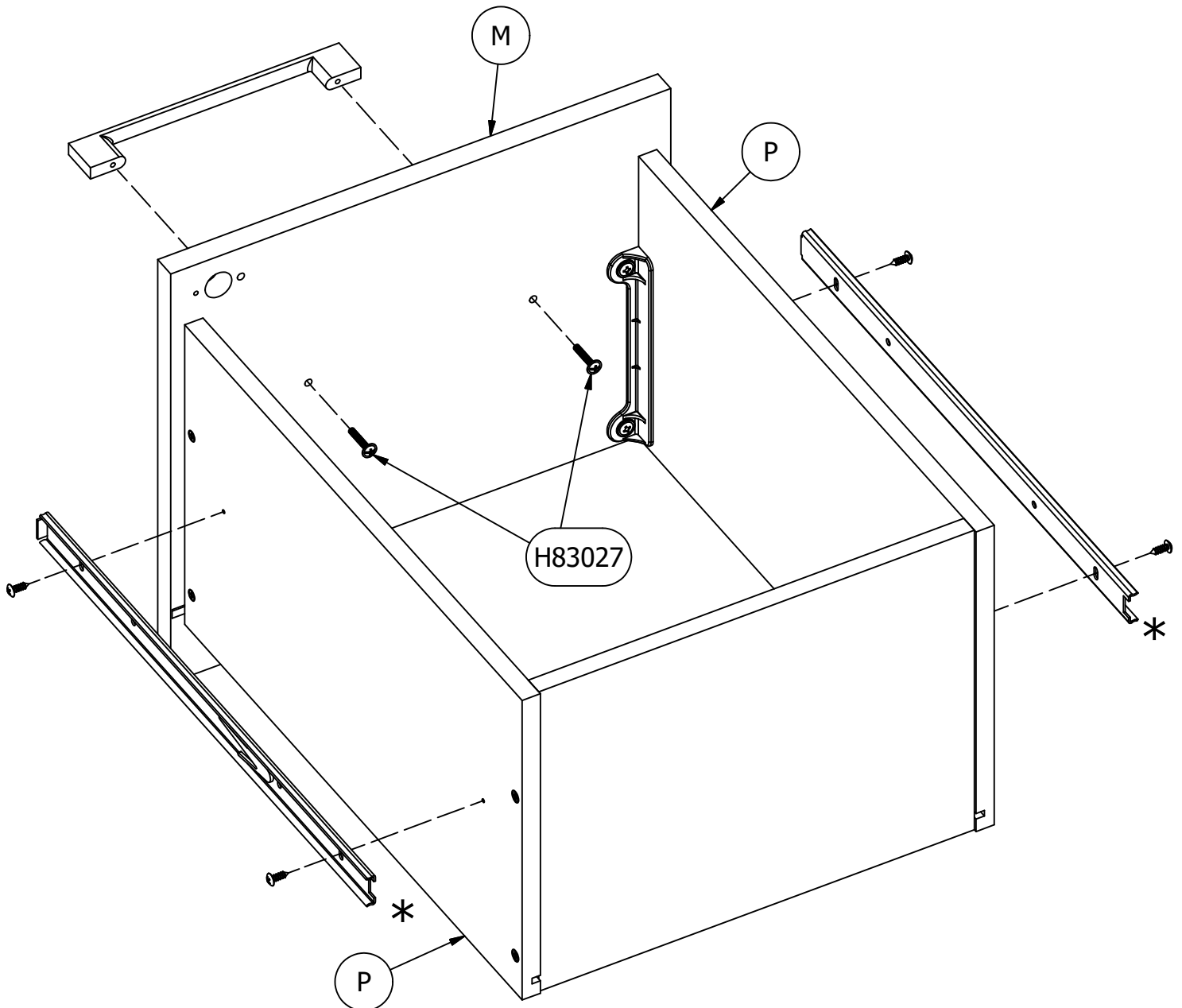
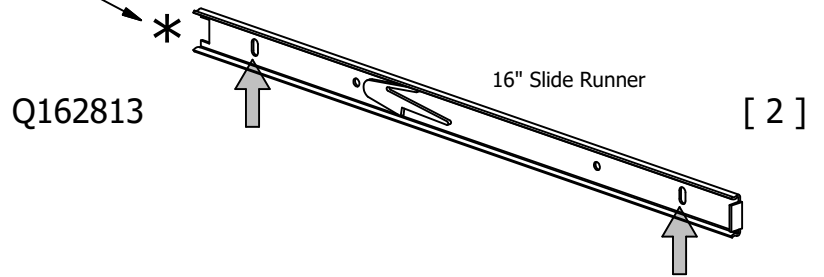
A216547B

H83027  
(Silver)  [ 2 ]  
M4 x 22mm

Orientation  
Orientación  
L'orientation

H192100  [ 4 ]  
#8 x 1/2"

 [ 1 ]  
Handle



Have an assembly question or need a replacement part? Just call  
**1-800-950-4782**, we are here to help.

# STEP 10

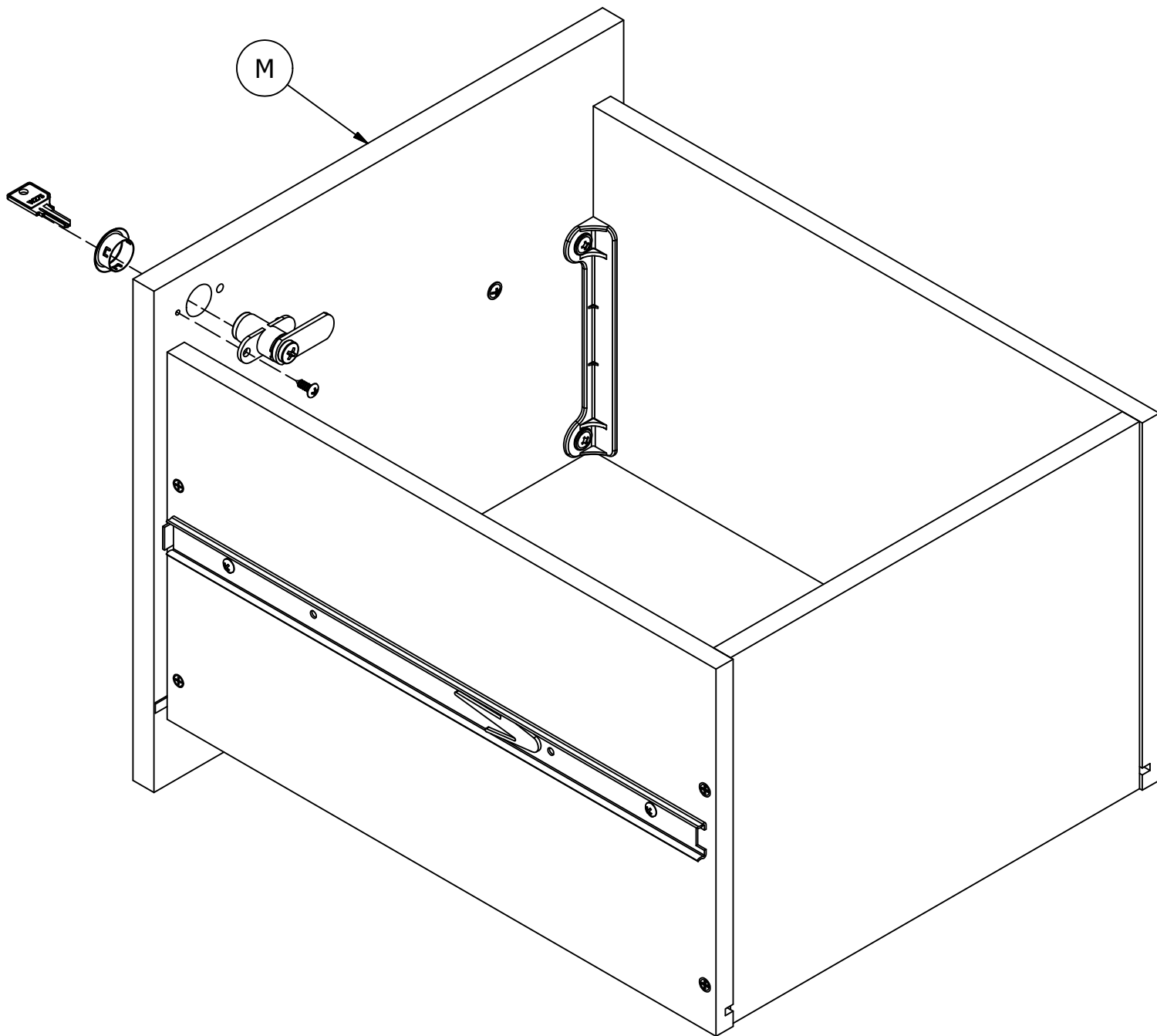
# Attach Hardware

A216547B

H192100 [ 1 ]  
#8 x 1/2"

H215192 [ 1 ]  
Lock w/Keys Assy

H215921 [ 1 ]  
Bezel

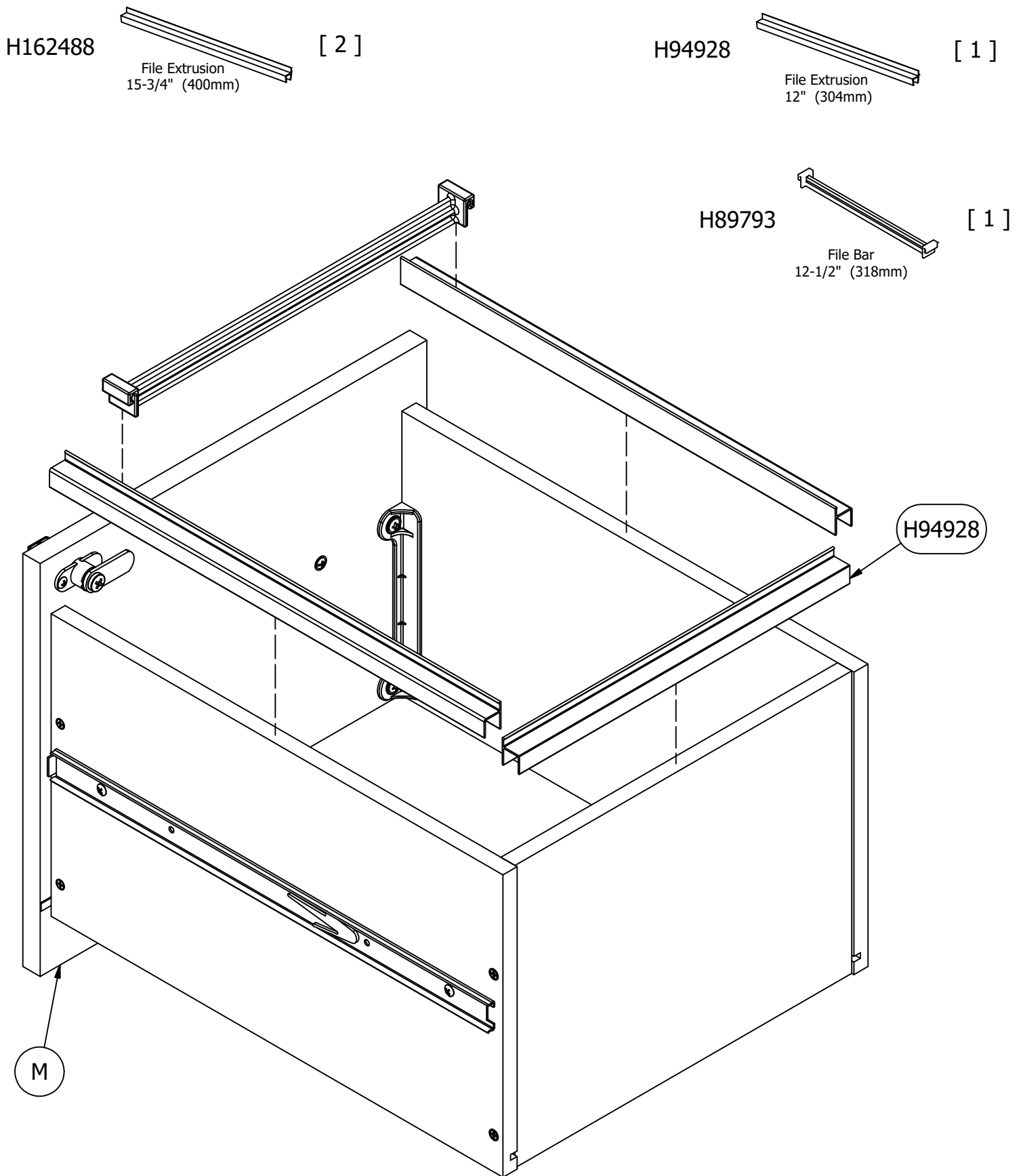


Have an assembly question or need a replacement part? Just call  
**1-800-950-4782**, we are here to help.

# STEP 11

# Attach Hardware

A216547B



Have an assembly question or need a replacement part? Just call **1-800-950-4782**, we are here to help.

# STEP 12

## Prepare Panel

A216547B

Scan QR Code to Watch Video on:



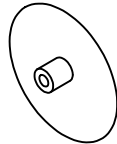
How to Tighten KD Cams

H181468US



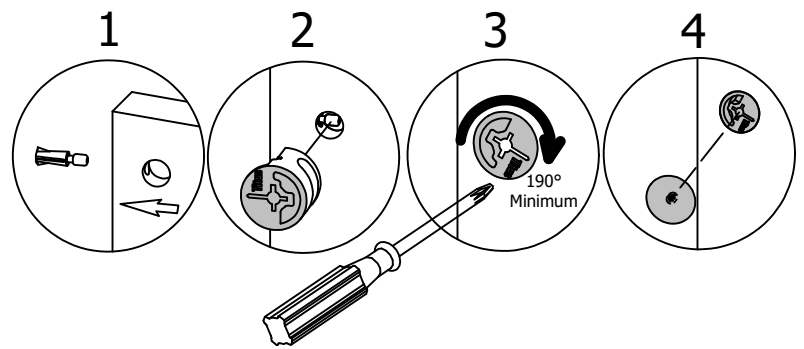
KD Cam3000

[ 2 ]

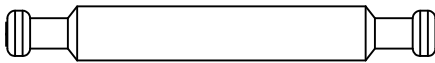


[ 1 ]

Cover Cap

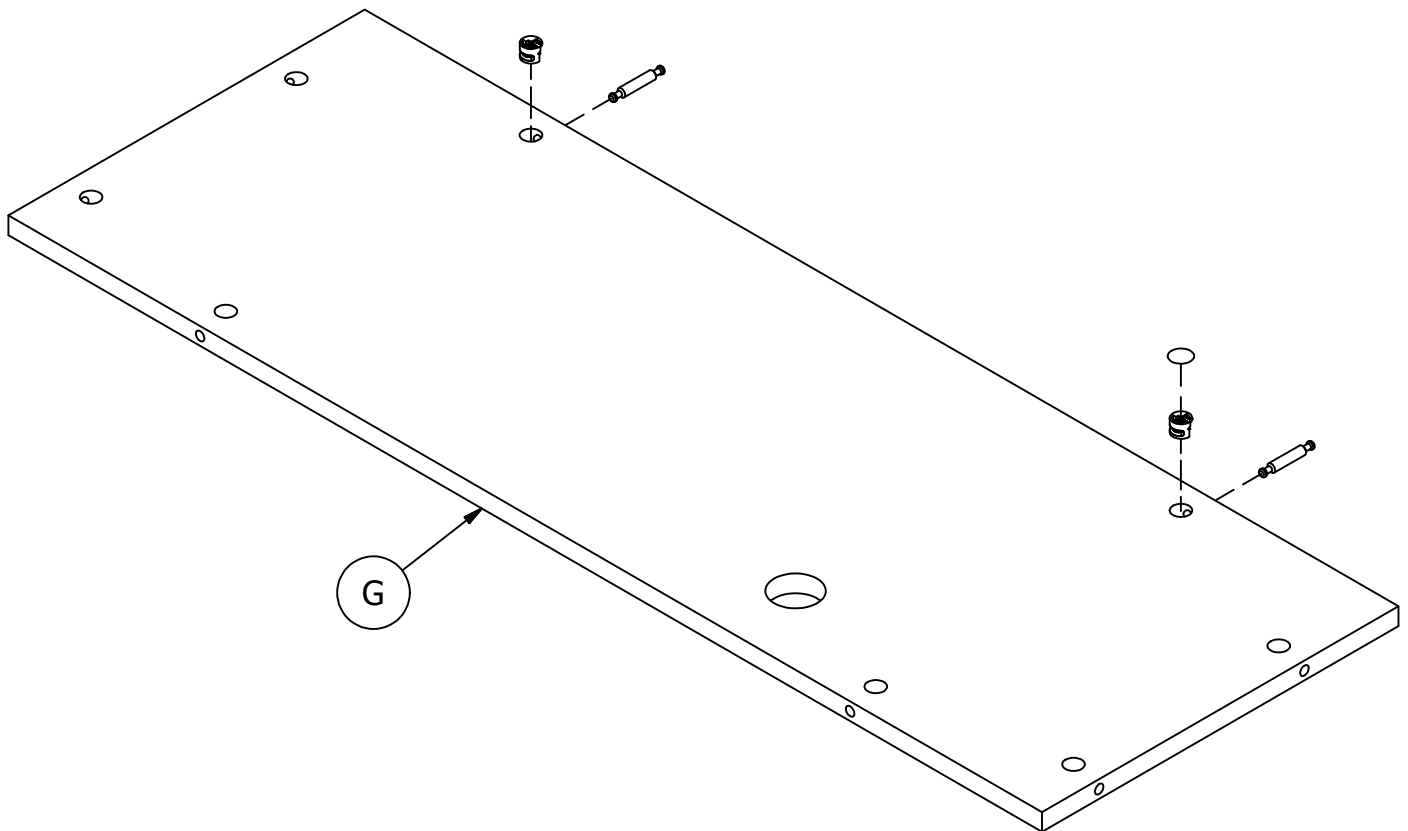


H79096



[ 2 ]

KD Bolt Double Head



Have an assembly question or need a replacement part? Just call **1-800-950-4782**, we are here to help.

# STEP 13

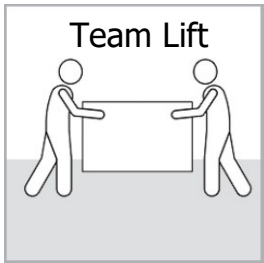
# Assemble Panels

A216547B

Scan QR Code to Watch Video on:



How to Tighten KD Cams

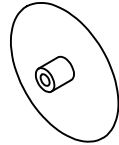


H181468US



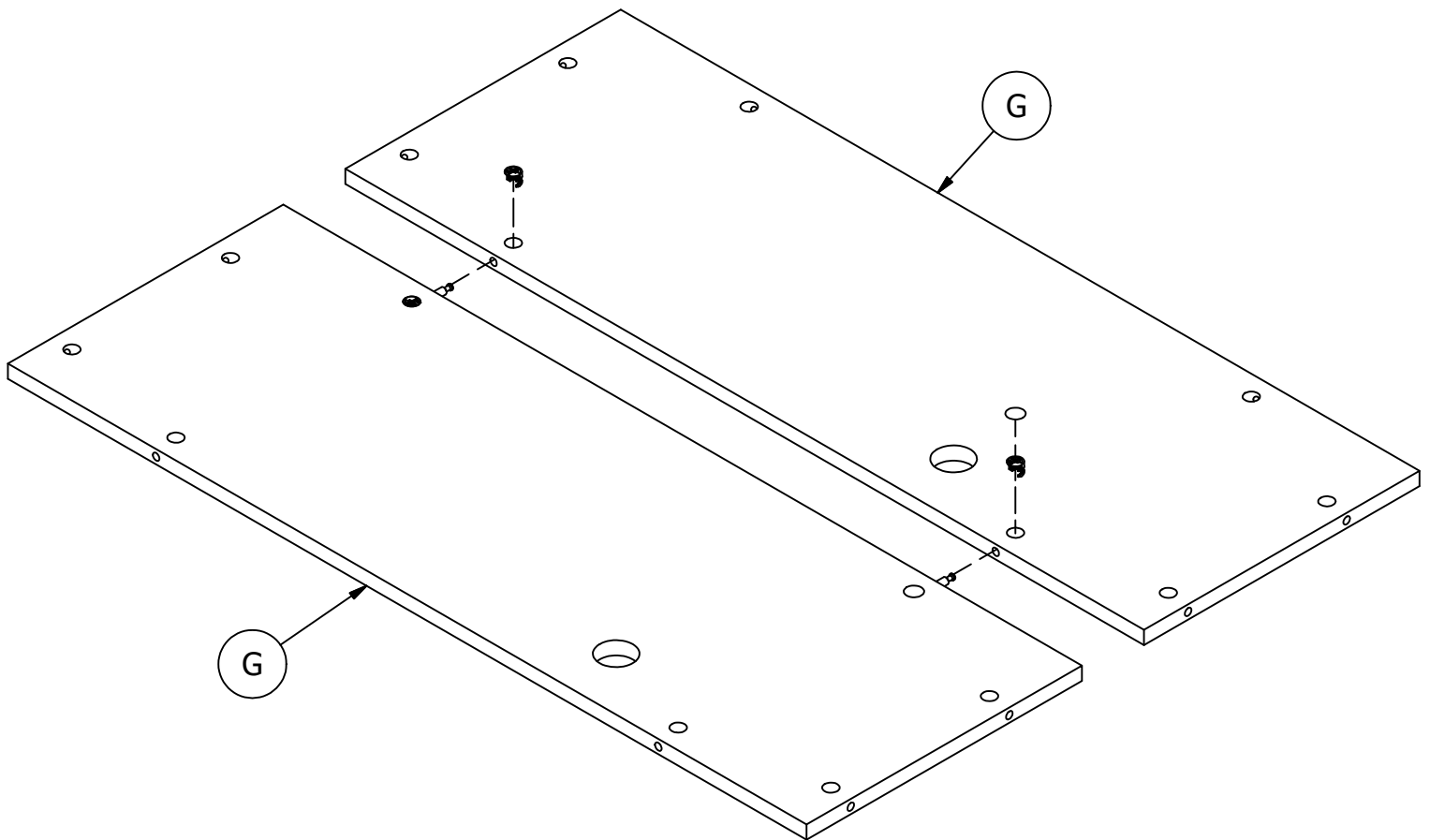
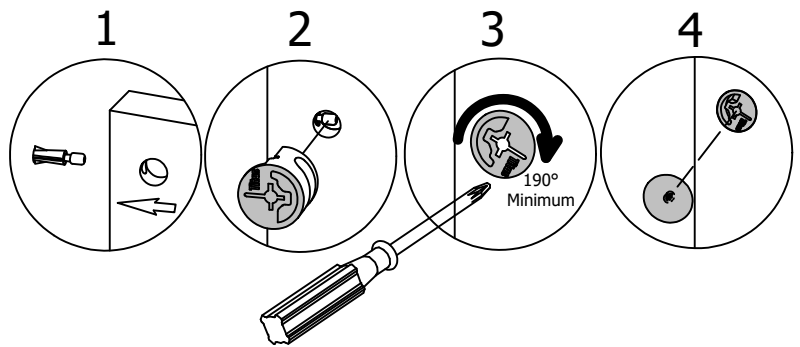
KD Cam3000

[ 2 ]



[ 1 ]

Cover Cap



Have an assembly question or need a replacement part? Just call **1-800-950-4782**, we are here to help.

# STEP 14

# Attach Hardware

A216547B

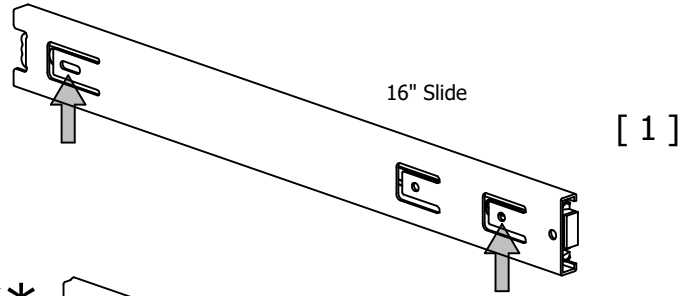
Scan QR Code to Watch Video on:



How to Separate and Install Drawer Slides

Orientation  
Orientación  
L'orientation

Q162813

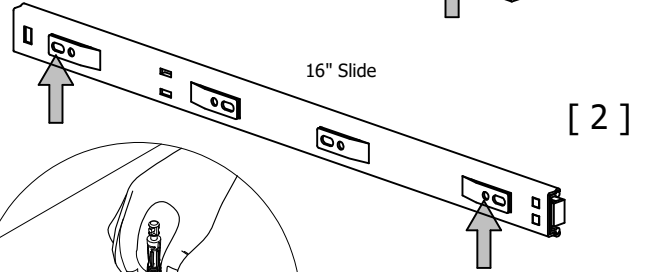


16" Slide

[ 1 ]

Orientation  
Orientación  
L'orientation

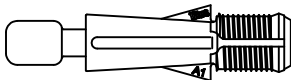
Q161948



16" Slide

[ 2 ]

H171556



Quickfit TL4

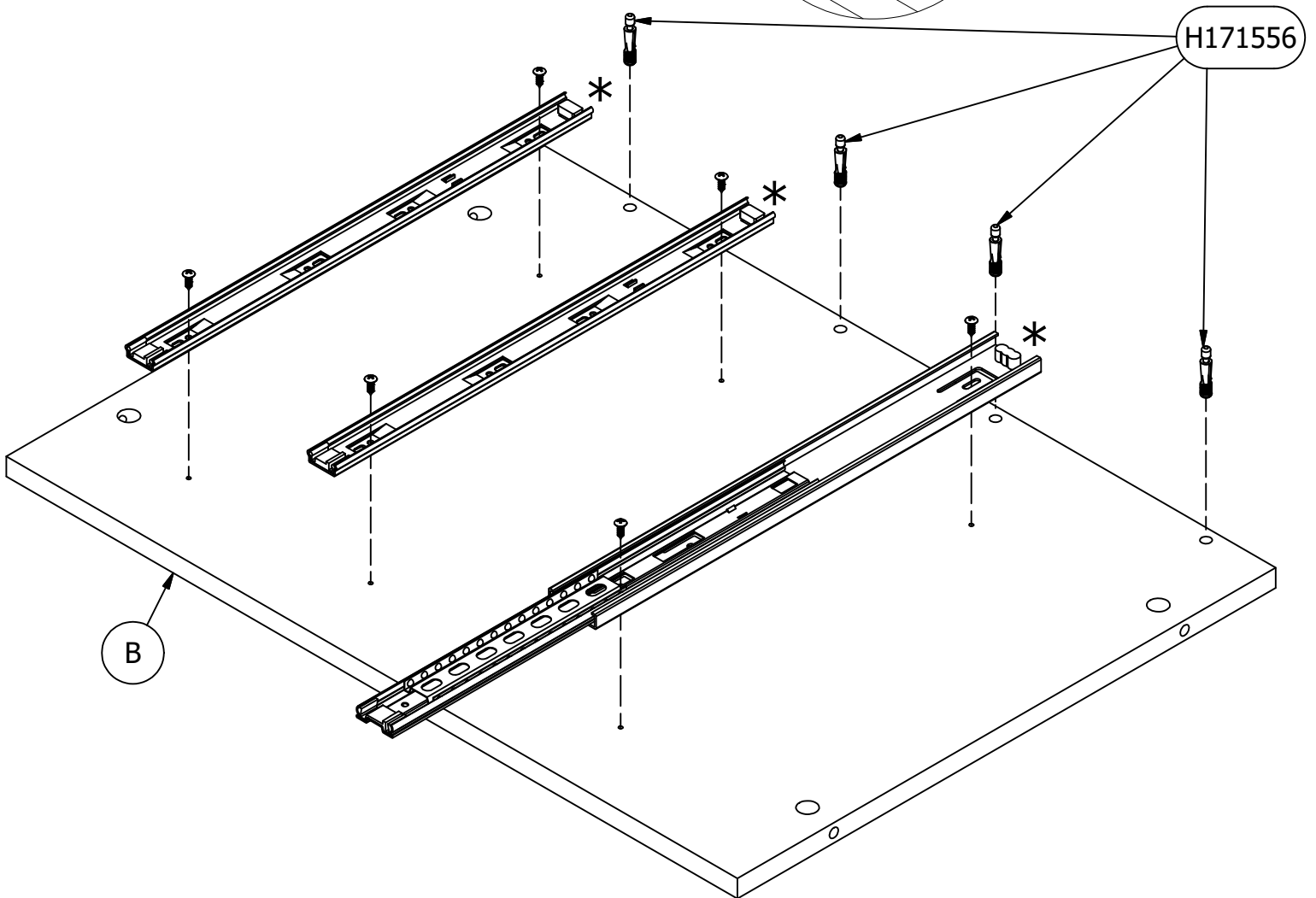
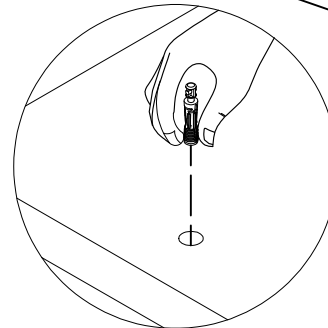
[ 4 ]

H192100



#8 x 1/2"

[ 6 ]



Have an assembly question or need a replacement part? Just call **1-800-950-4782**, we are here to help.

# STEP 15

# Assemble Panels

A216547B

Scan QR Code to Watch Video on:

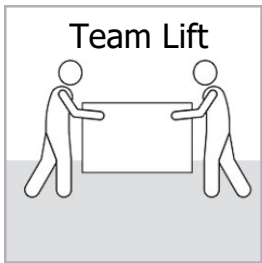
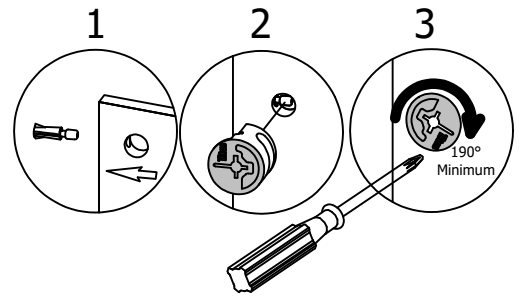


How to Tighten KD Cams

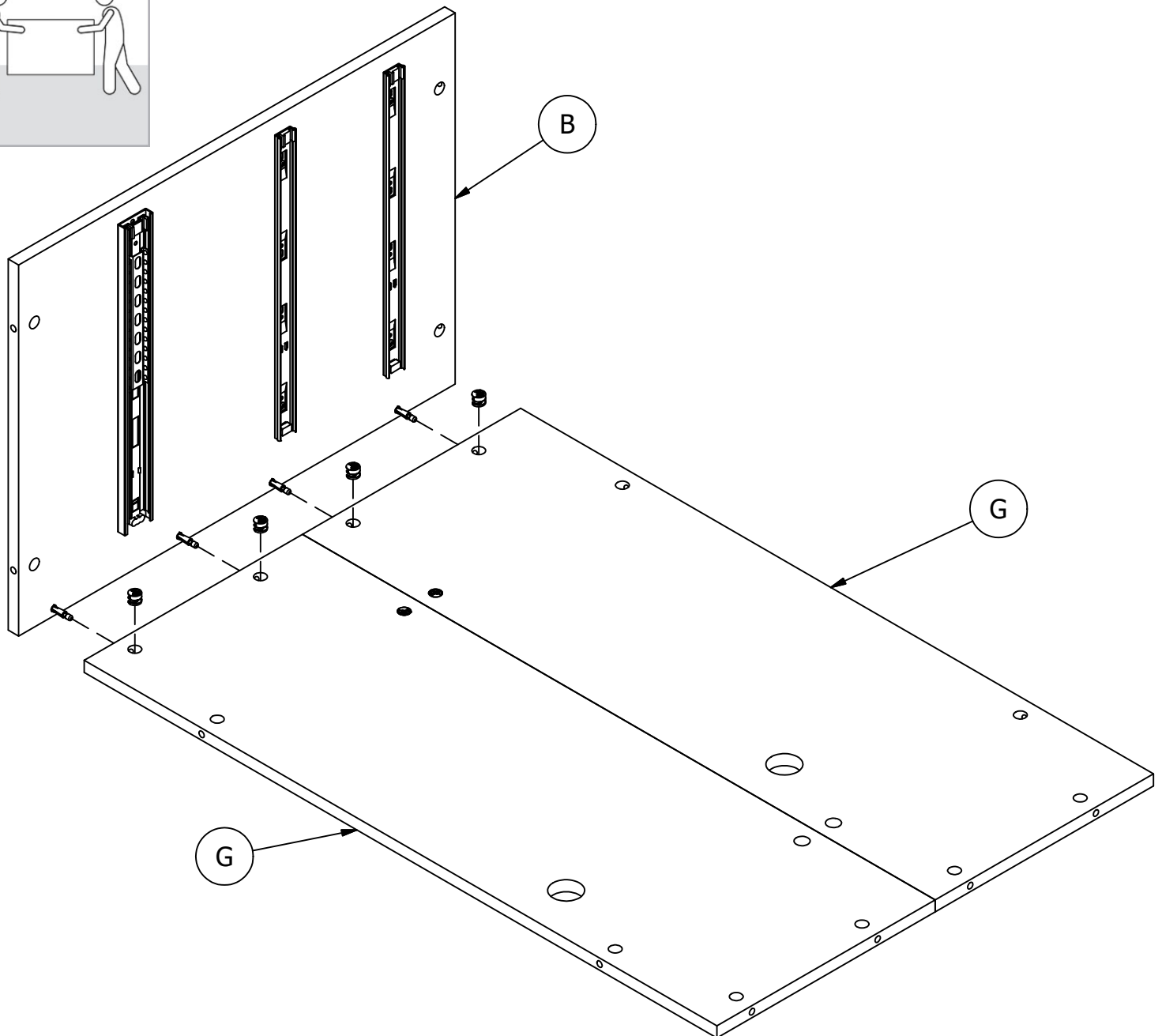
H181468US



[ 4 ]



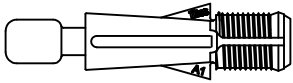
Team Lift



Have an assembly question or need a replacement part? Just call **1-800-950-4782**, we are here to help.

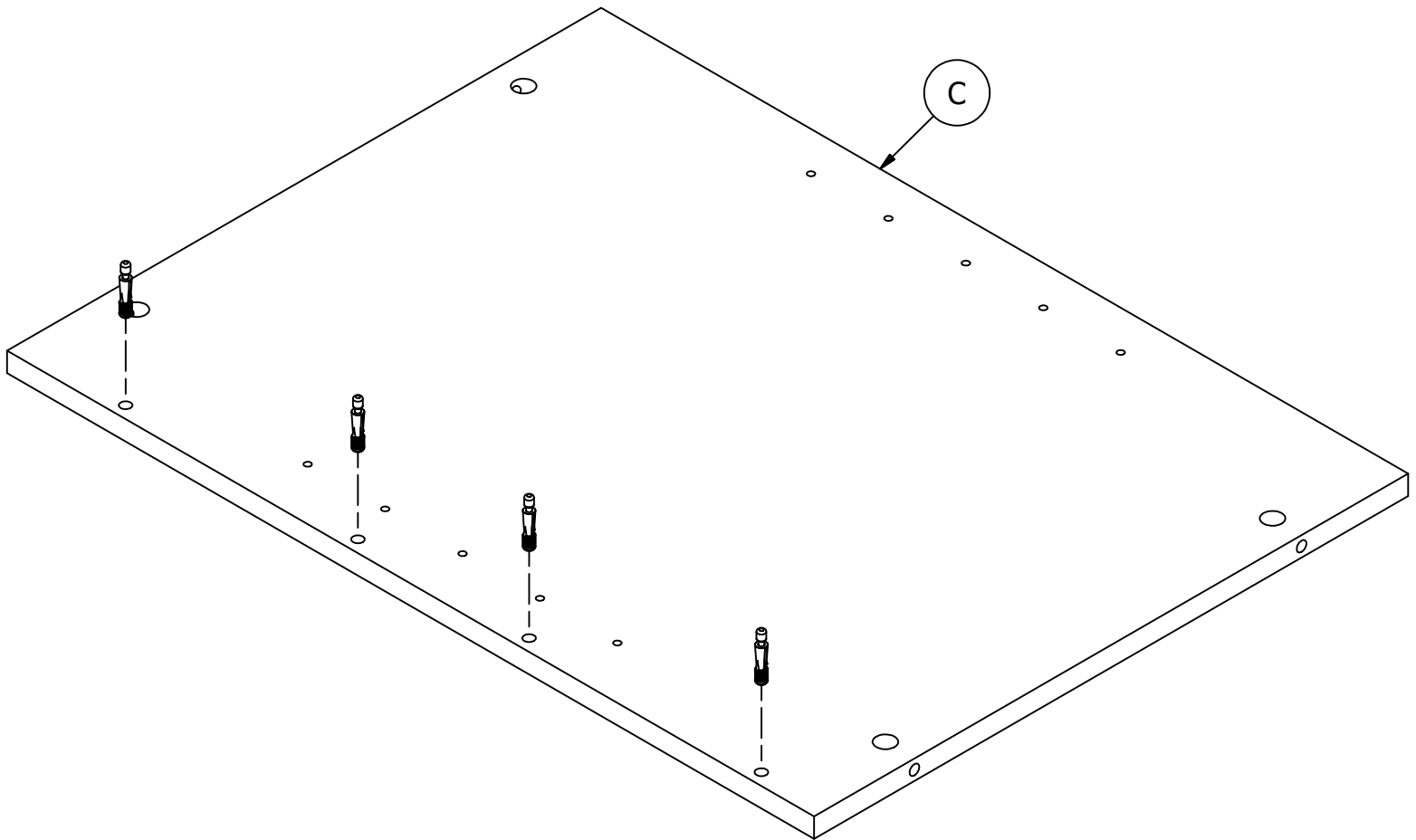
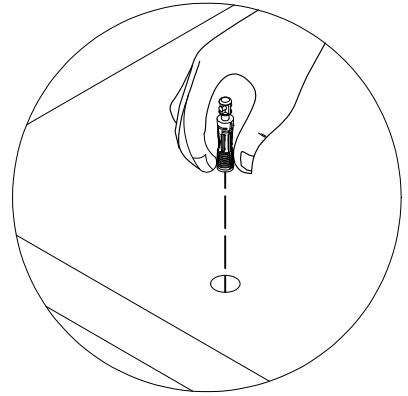


H171556



Quickfit TL4

[ 4 ]



Have an assembly question or need a replacement part? Just call  
**1-800-950-4782**, we are here to help.

# STEP 17

# Assemble Panels

A216547B

Scan QR Code to Watch Video on:

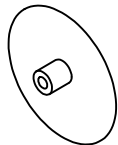


How to Tighten KD Cams

H181468US

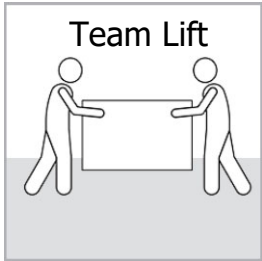
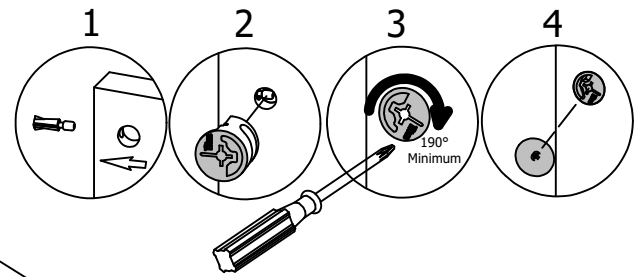


[ 4 ]

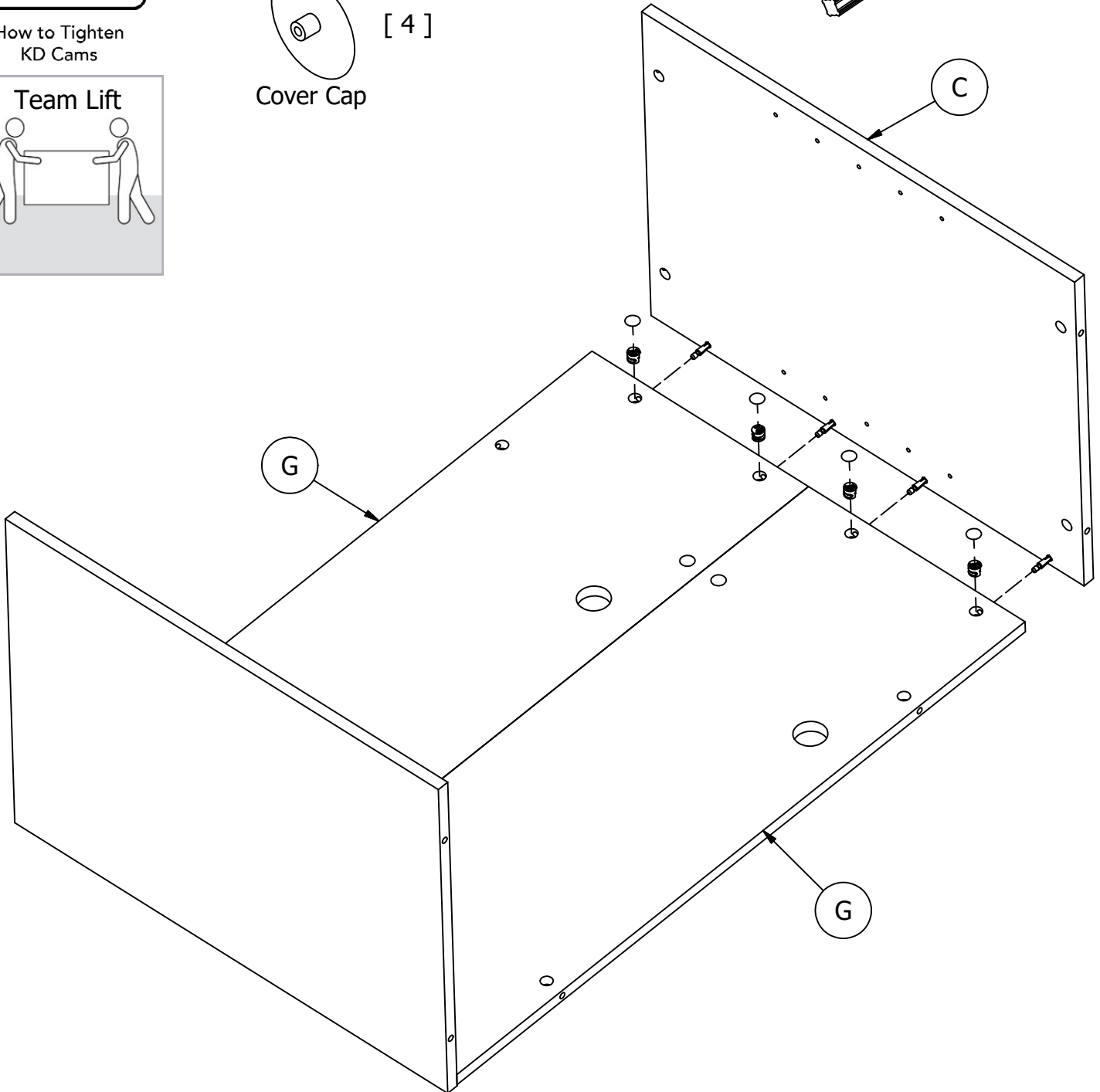


Cover Cap

[ 4 ]



Team Lift

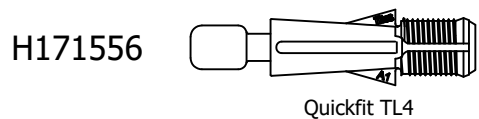


Have an assembly question or need a replacement part? Just call **1-800-950-4782**, we are here to help.

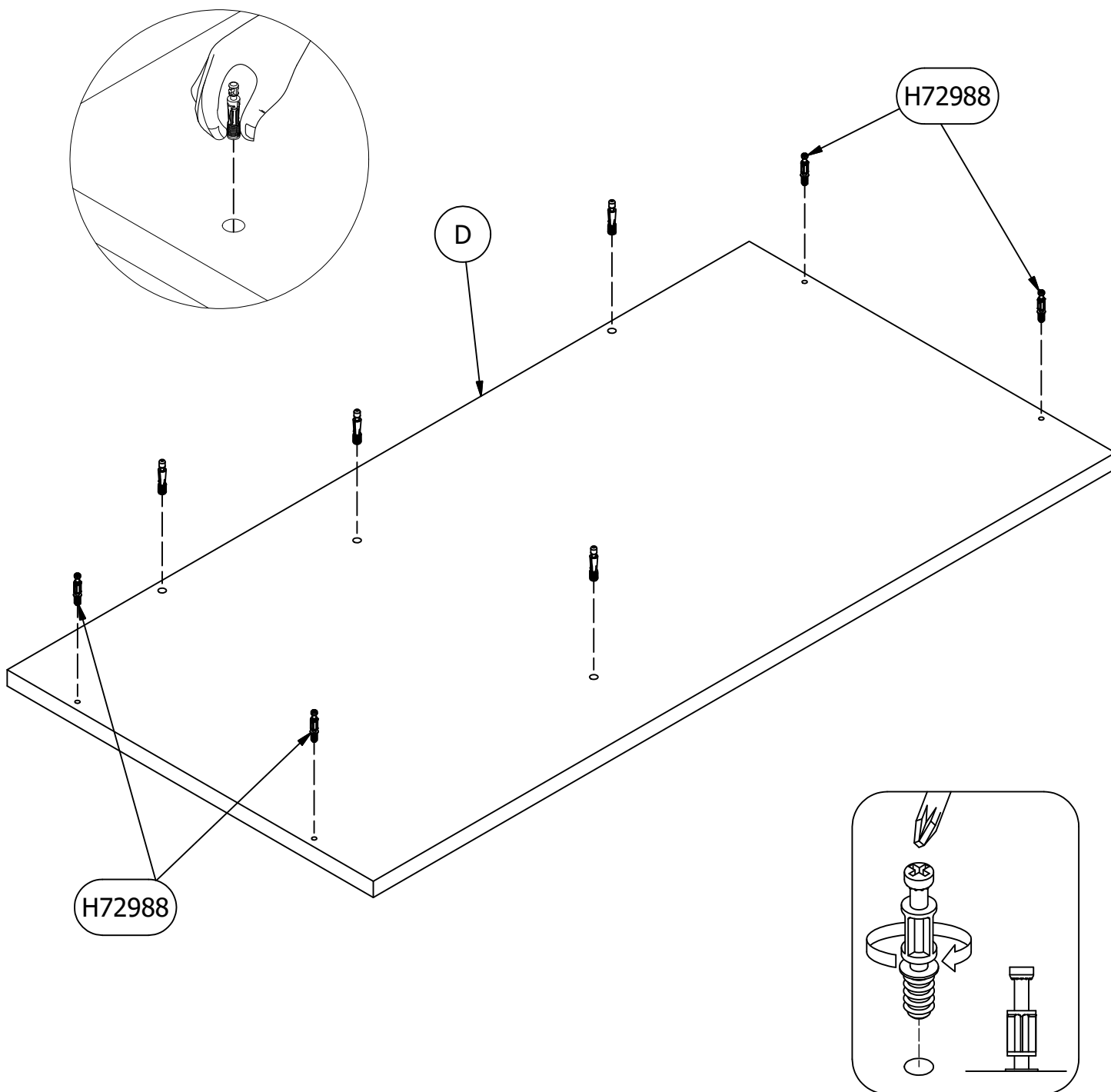
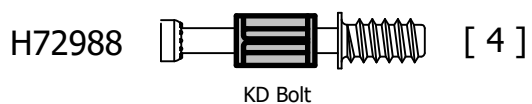
# STEP 18

# Prepare Panel

A216547B



[ 4 ]

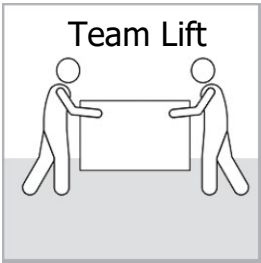


Have an assembly question or need a replacement part? Just call  
**1-800-950-4782**, we are here to help.

Scan QR Code to Watch Video on:



How to Tighten KD Cams

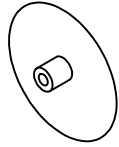


H181468US



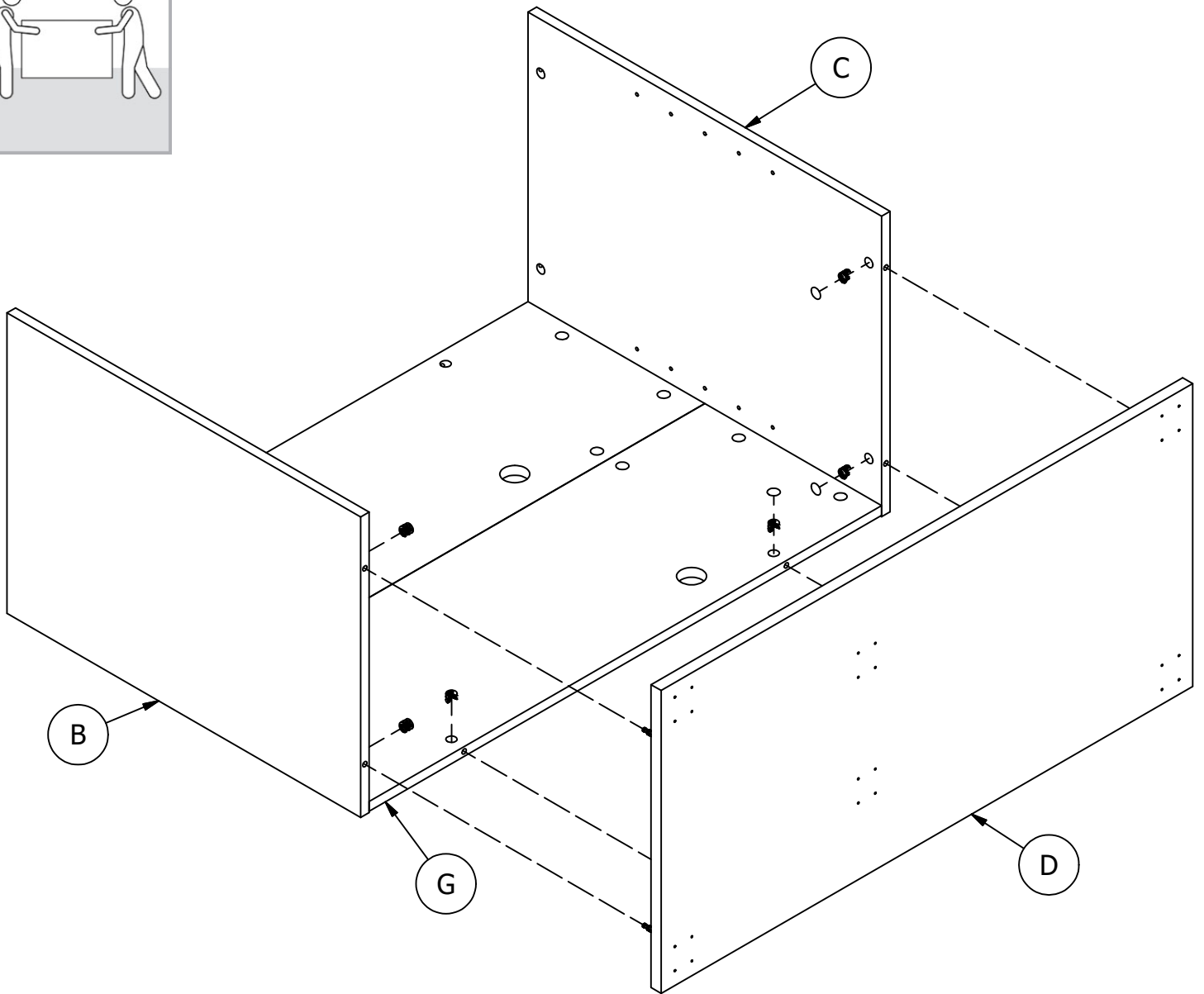
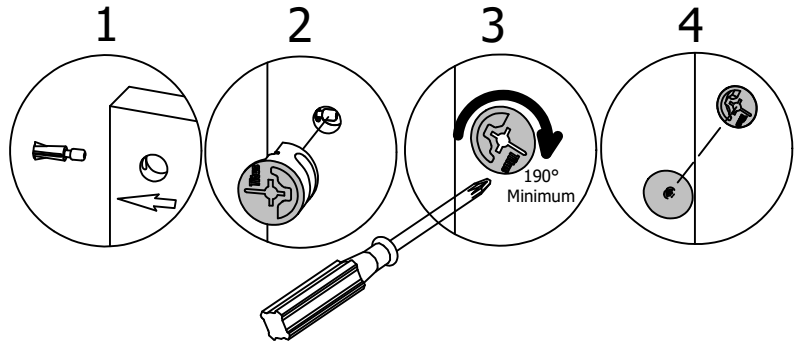
KD Cam3000

[ 6 ]



Cover Cap

[ 3 ]



Have an assembly question or need a replacement part? Just call **1-800-950-4782**, we are here to help.

# STEP 20

# Attach Hardware

A216547B

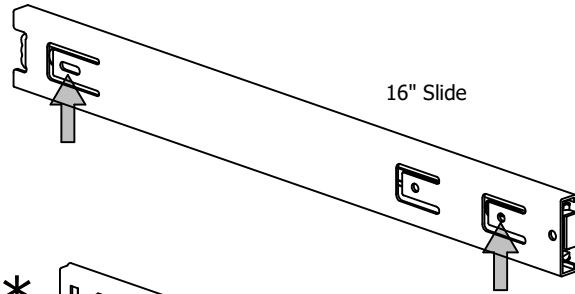
Scan QR Code to Watch Video on:



How to Separate and Install Drawer Slides

Orientation  
Orientación  
L'orientation

Q162813

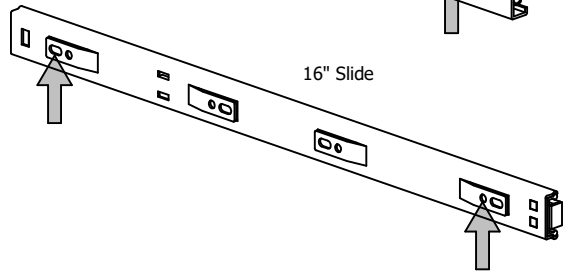


16" Slide

[ 1 ]

Orientation  
Orientación  
L'orientation

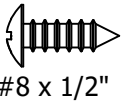
Q161948



16" Slide

[ 2 ]

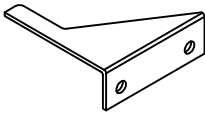
H192100



[ 8 ]

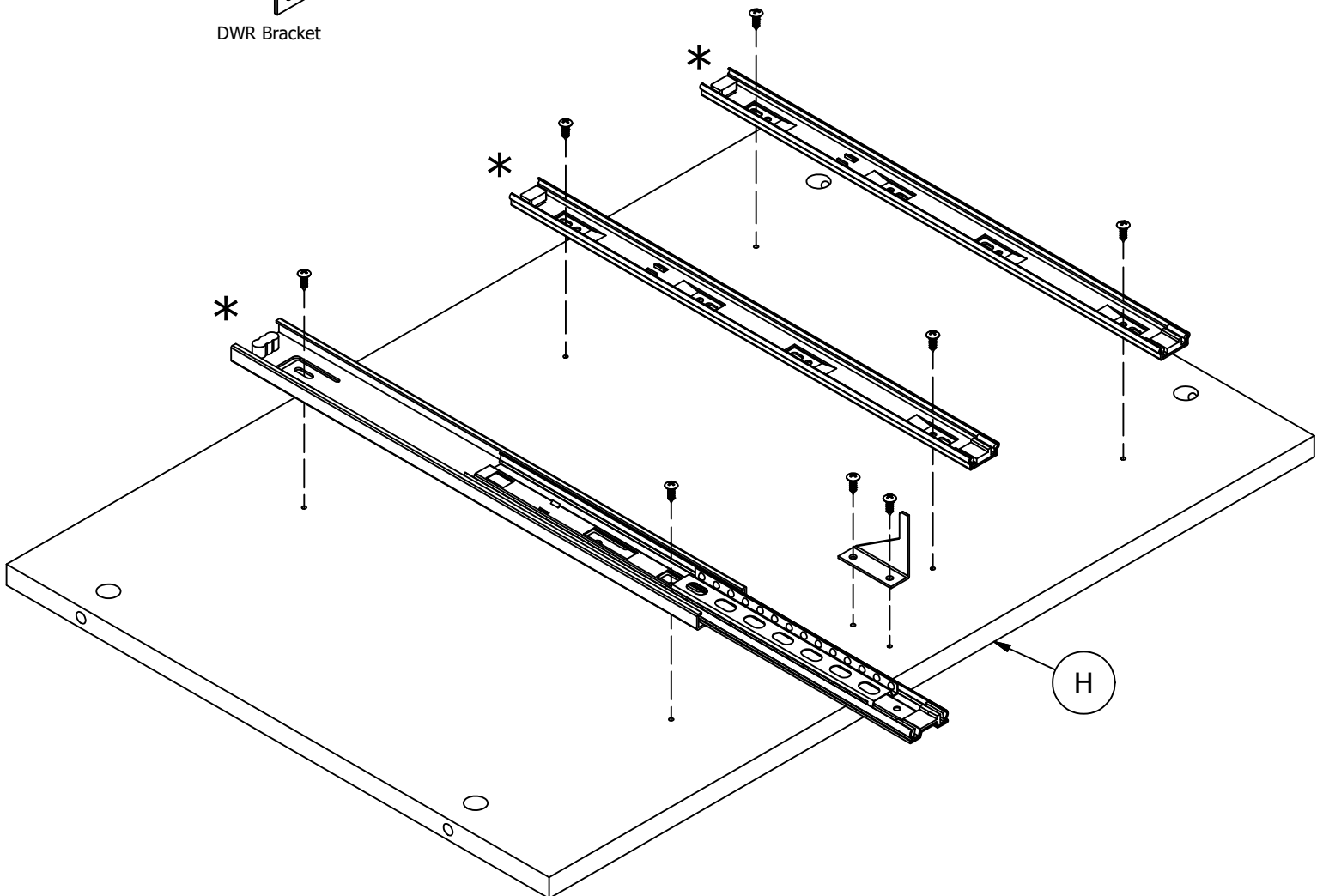
#8 x 1/2"

H214977



[ 1 ]

DWR Bracket



Have an assembly question or need a replacement part? Just call **1-800-950-4782**, we are here to help.

Scan QR Code to Watch Video on:



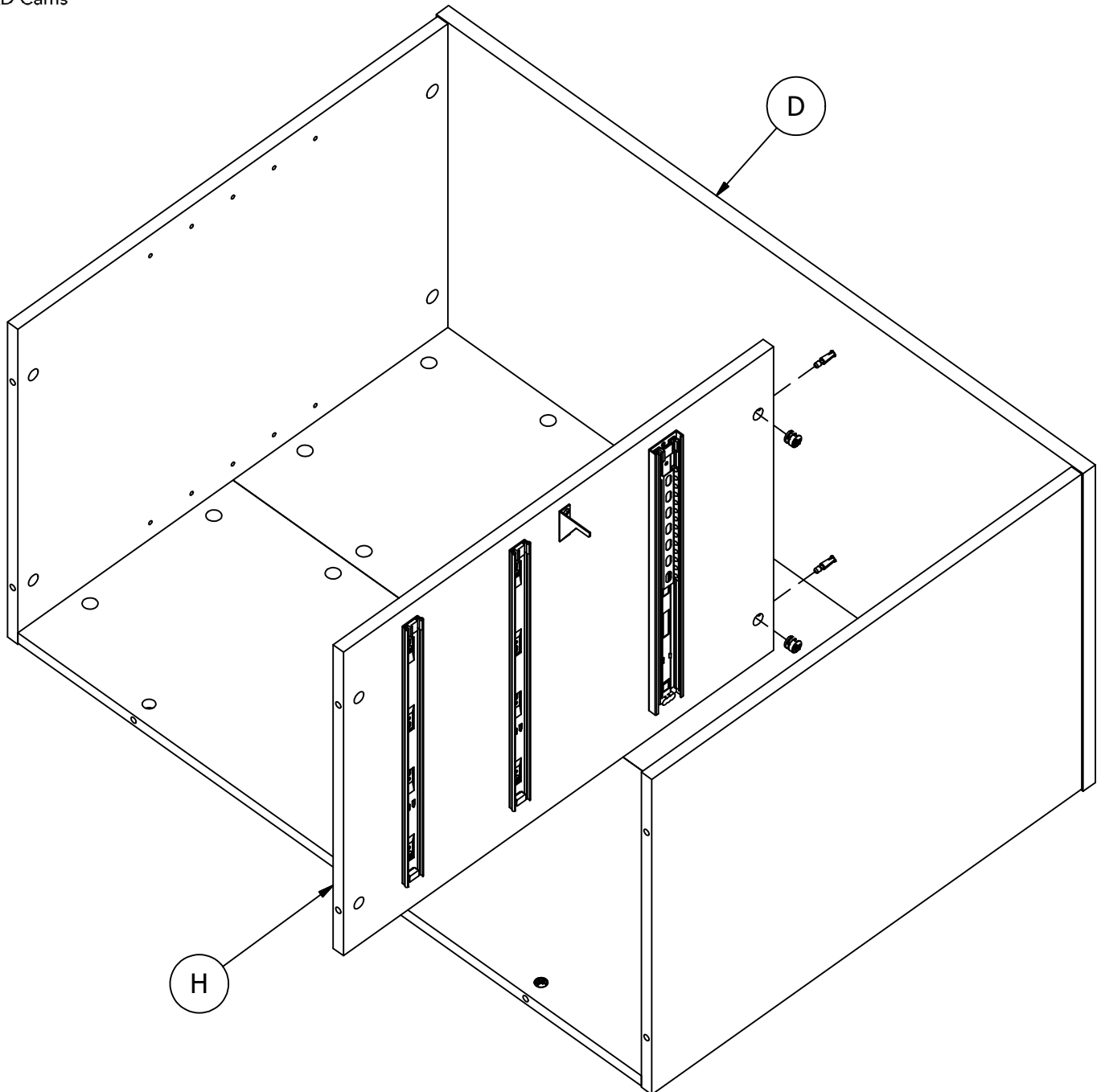
How to Tighten KD Cams

H181468US



KD Cam3000

[ 2 ]



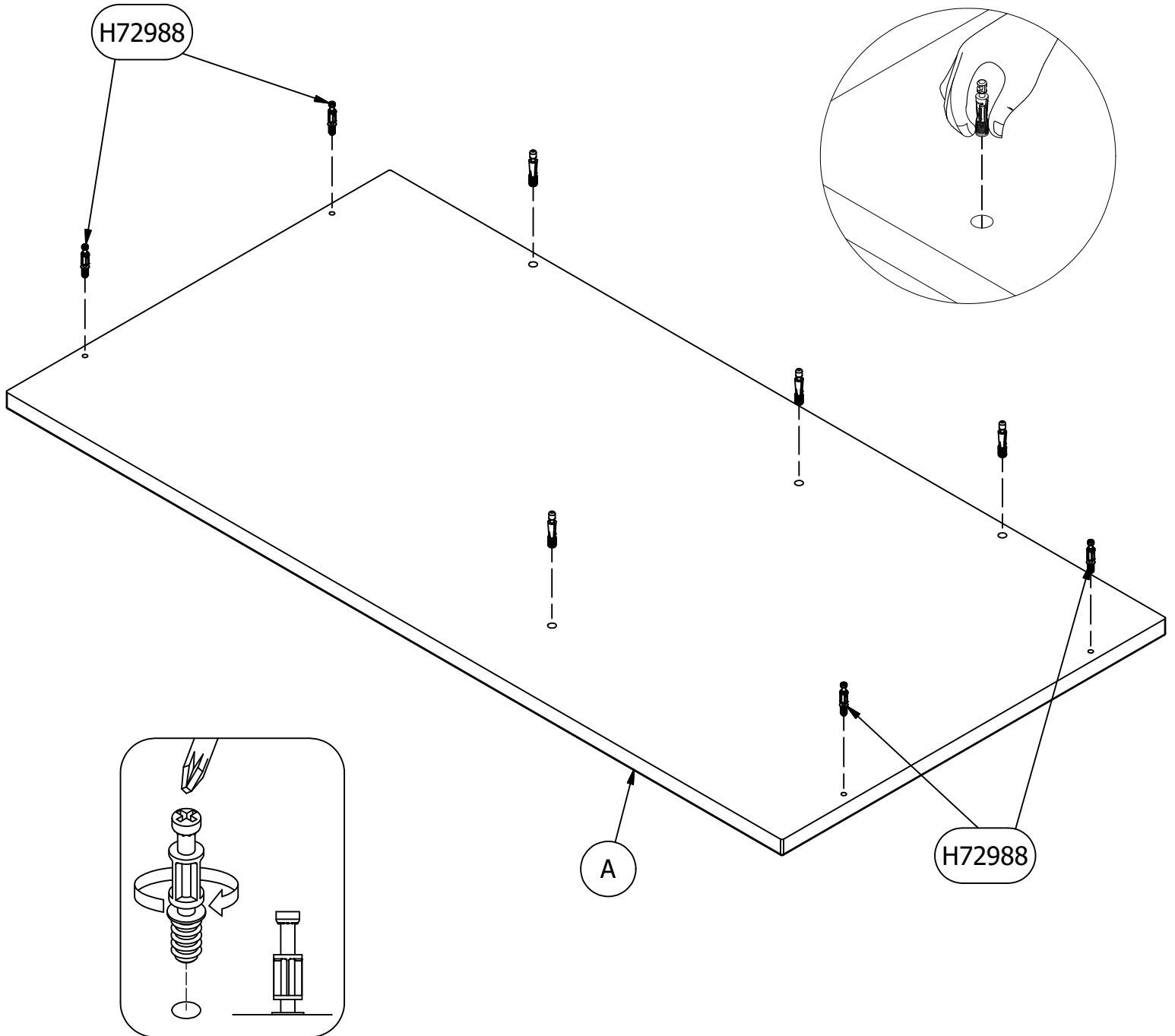
Have an assembly question or need a replacement part? Just call **1-800-950-4782**, we are here to help.

# STEP 22

# Prepare Panel

A216547B

- H171556 [ 4 ] Quickfit TL4
- H72988 [ 4 ] KD Bolt

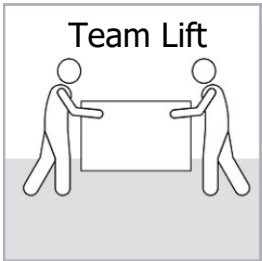


Have an assembly question or need a replacement part? Just call **1-800-950-4782**, we are here to help.

Scan QR Code to Watch Video on:



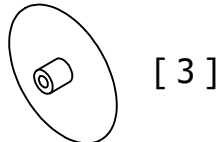
How to Tighten KD Cams



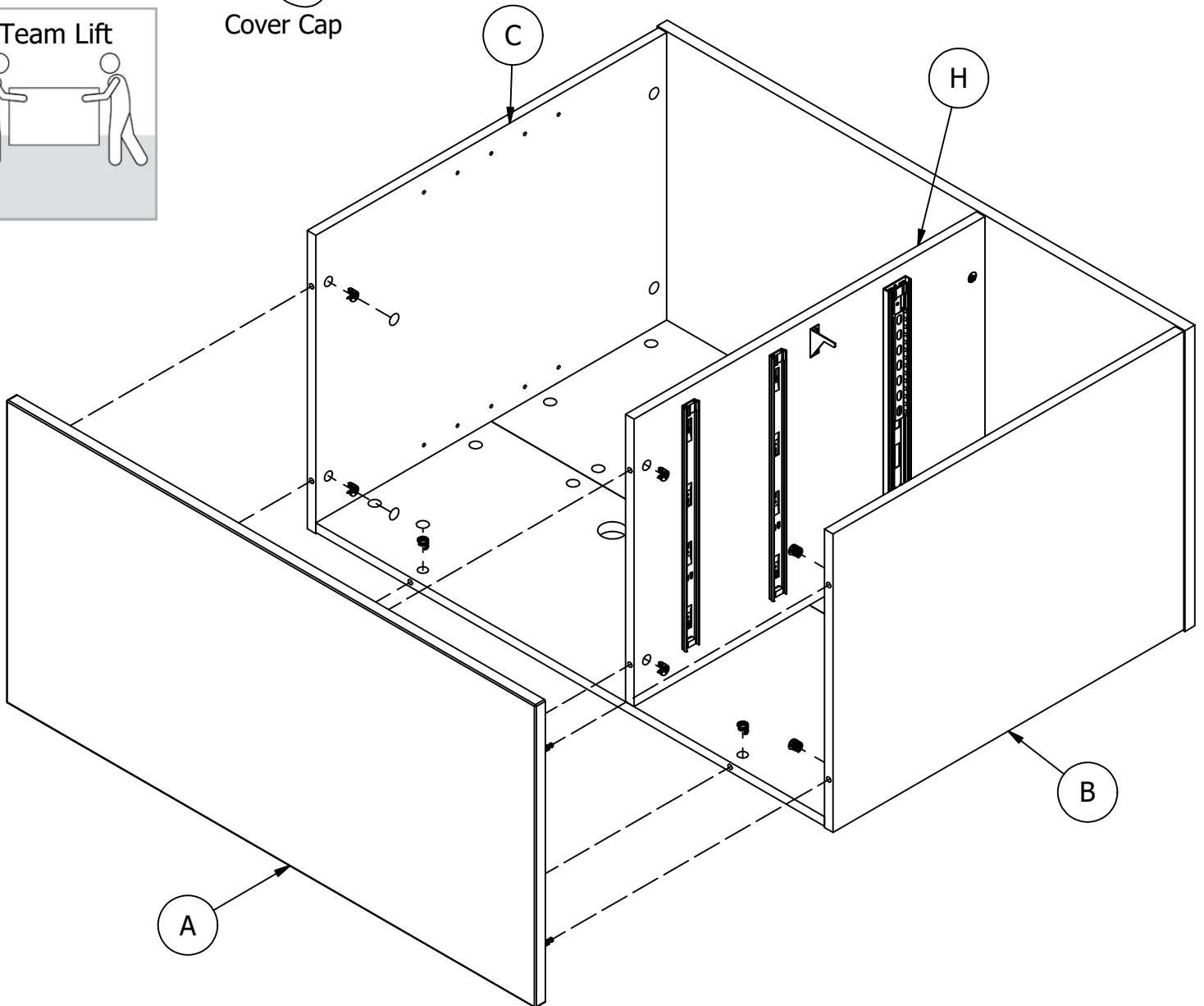
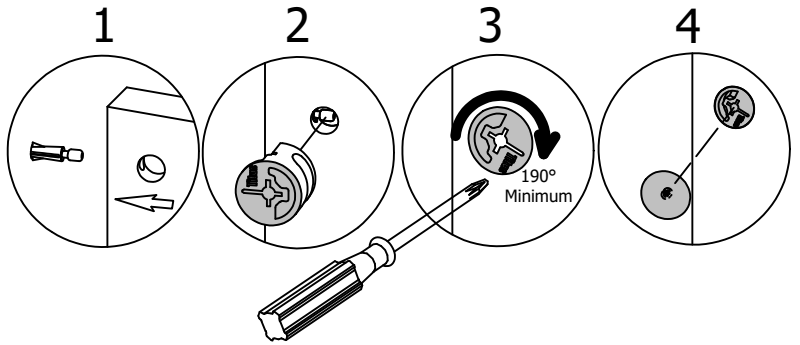
H181468US [ 8 ]



KD Cam3000



Cover Cap [ 3 ]



Have an assembly question or need a replacement part? Just call **1-800-950-4782**, we are here to help.

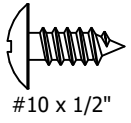


# STEP 24

# Attach Hardware

A216547B

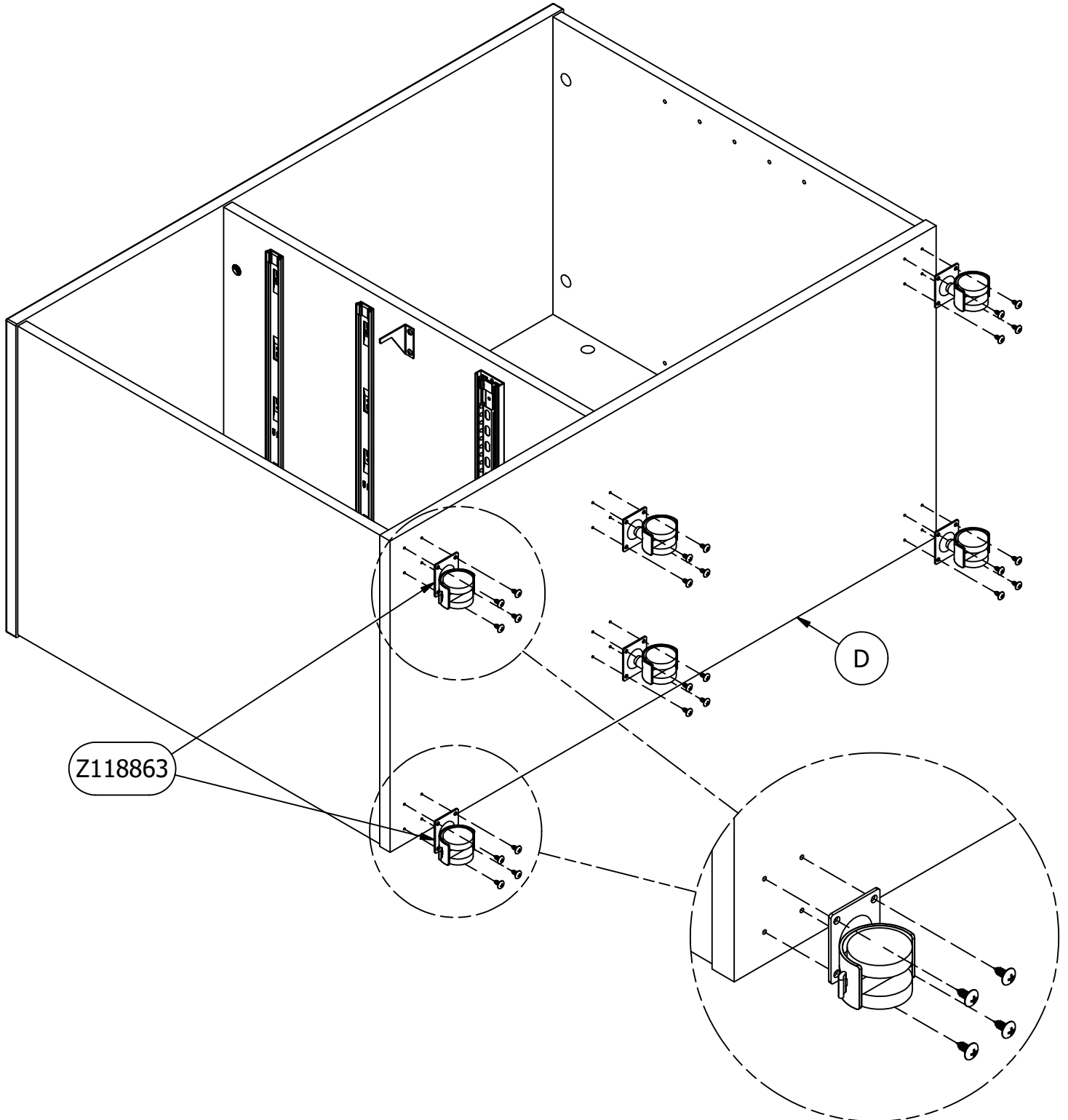
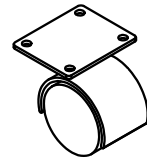
H35251 [ 24 ]  
(Black) #10 x 1/2"



Z118863 [ 2 ]  
Caster Fixed Locking



Z118862 [ 4 ]  
Caster Swivel

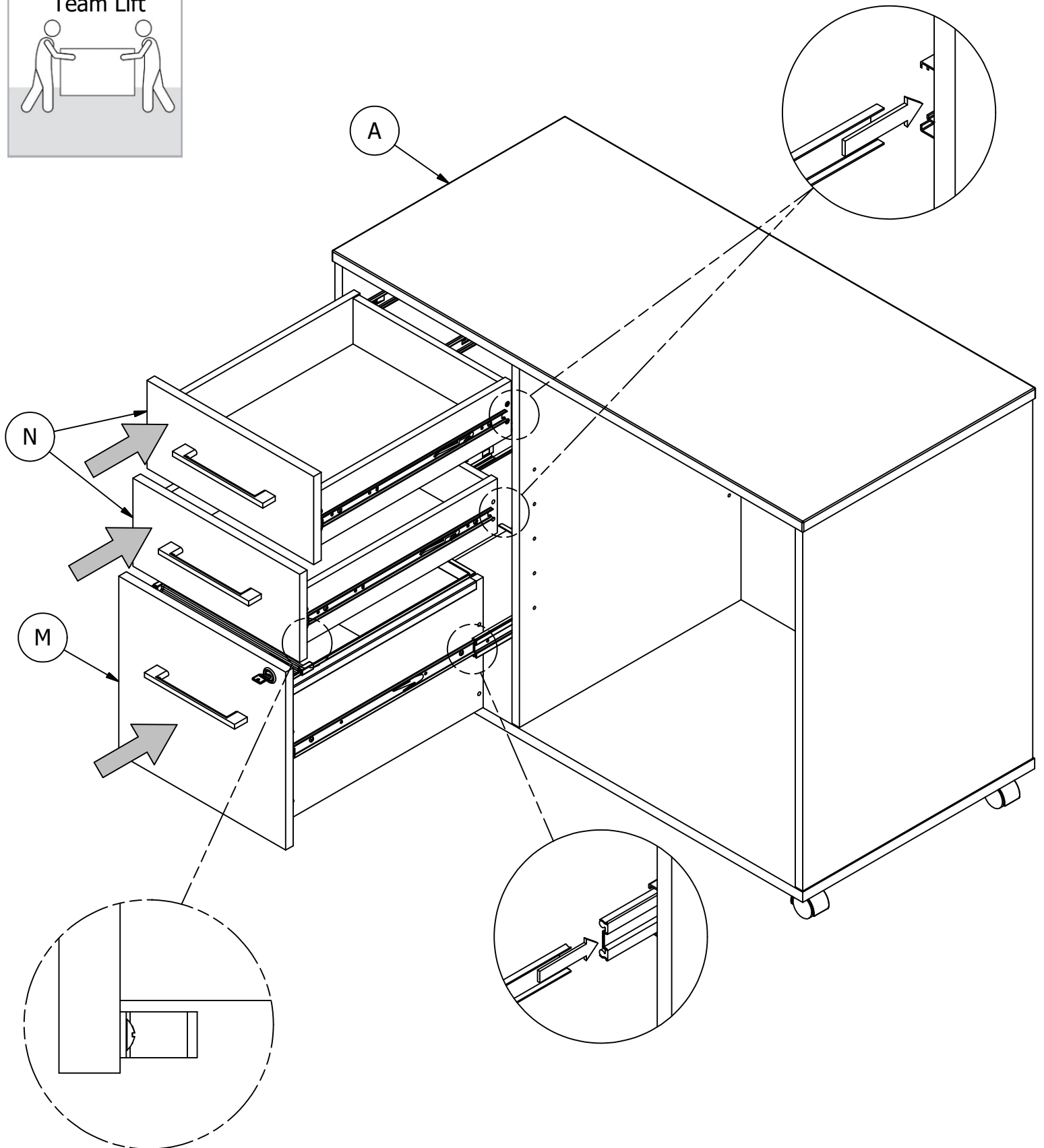
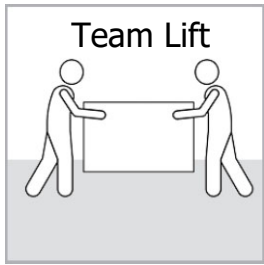


Have an assembly question or need a replacement part? Just call **1-800-950-4782**, we are here to help.

# STEP 25

# Insert Drawers

A216547B



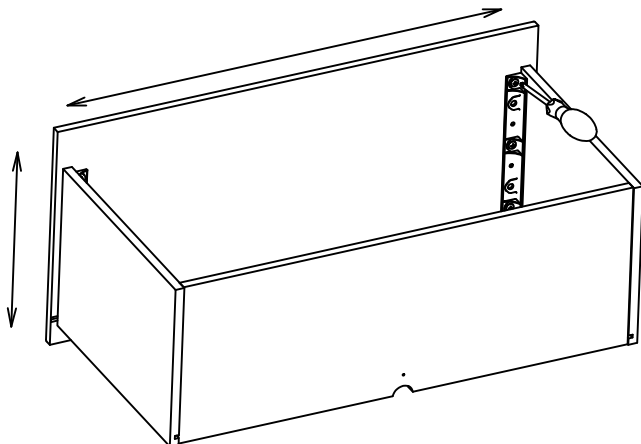
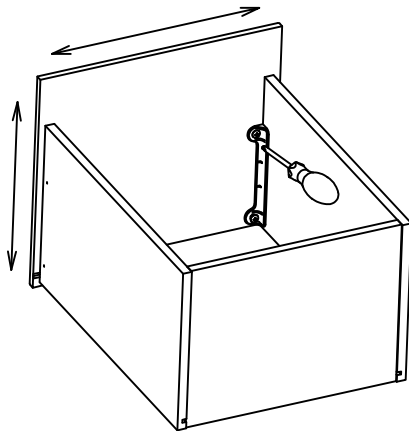
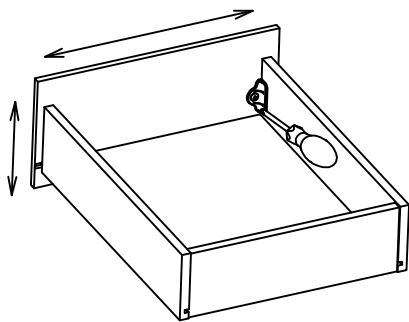
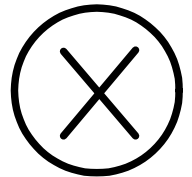
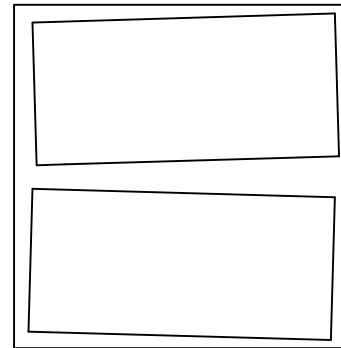
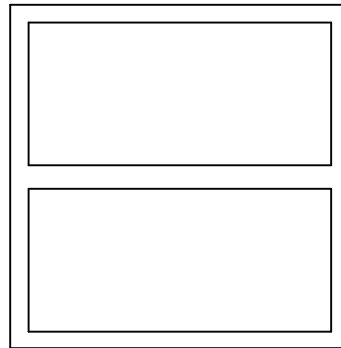
Have an assembly question or need a replacement part? Just call **1-800-950-4782**, we are here to help.

Scan QR Code to Watch Video on:



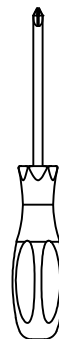
How to Adjust Drawer Fronts

## DRAWER FRONT VIEW



REQUIRED TOOL: PHILLIPS SCREWDRIVER

HERRAMIENTA REQUERIDA: DESTORNILLADOR PHILLIPS  
 OUTIL REQUIS: TOURNEVIS CRUCIFORME

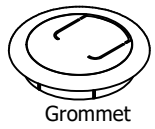


1. LOOSEN SCREWS.
2. ADJUST DRAWER FRONTS.
3. TIGHTEN SCREWS.

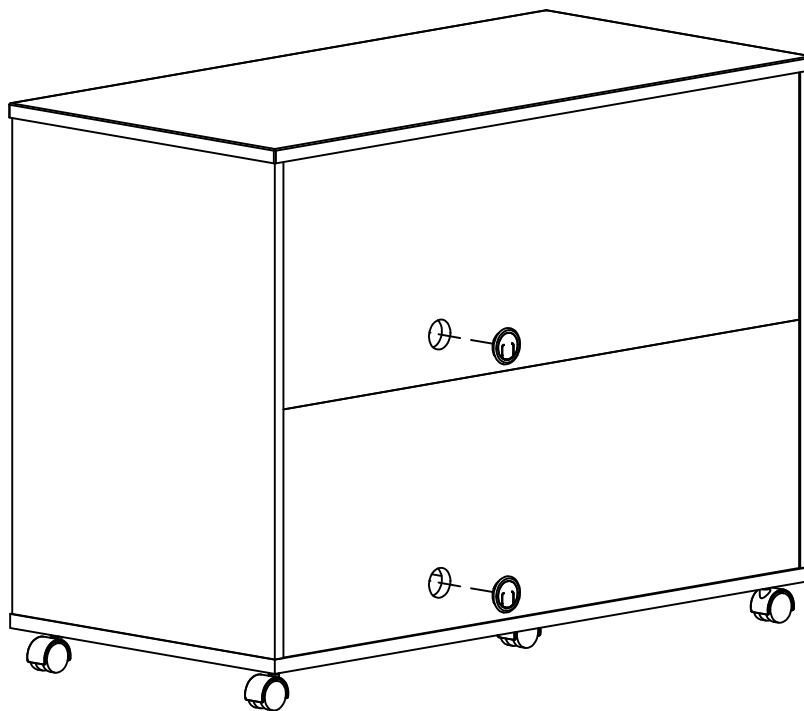
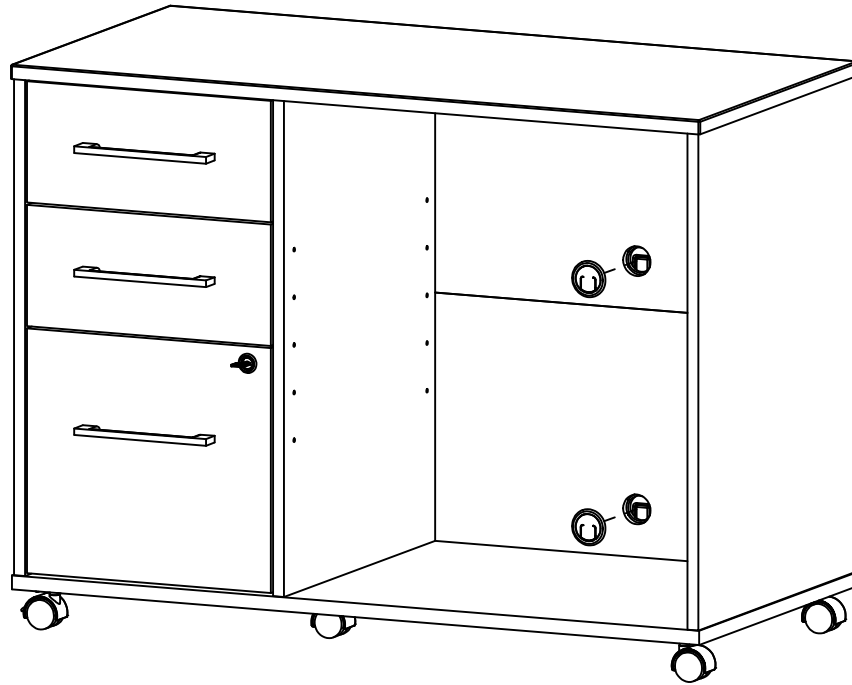
1. Afloje los tornillos
2. Ajustar frentes de cajón
3. Apriete los tornillos

1. Desserrer les vis
2. Ajuster les façades des tiroirs
3. Serrer les vis

Have an assembly question or need a replacement part? Just call **1-800-950-4782**, we are here to help.



[ 4 ]

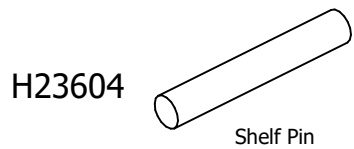


Have an assembly question or need a replacement part? Just call  
**1-800-950-4782**, we are here to help.

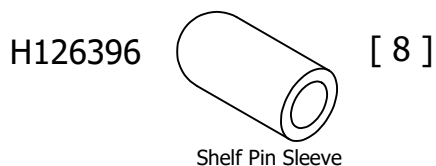
# STEP 28

# Insert Shelves

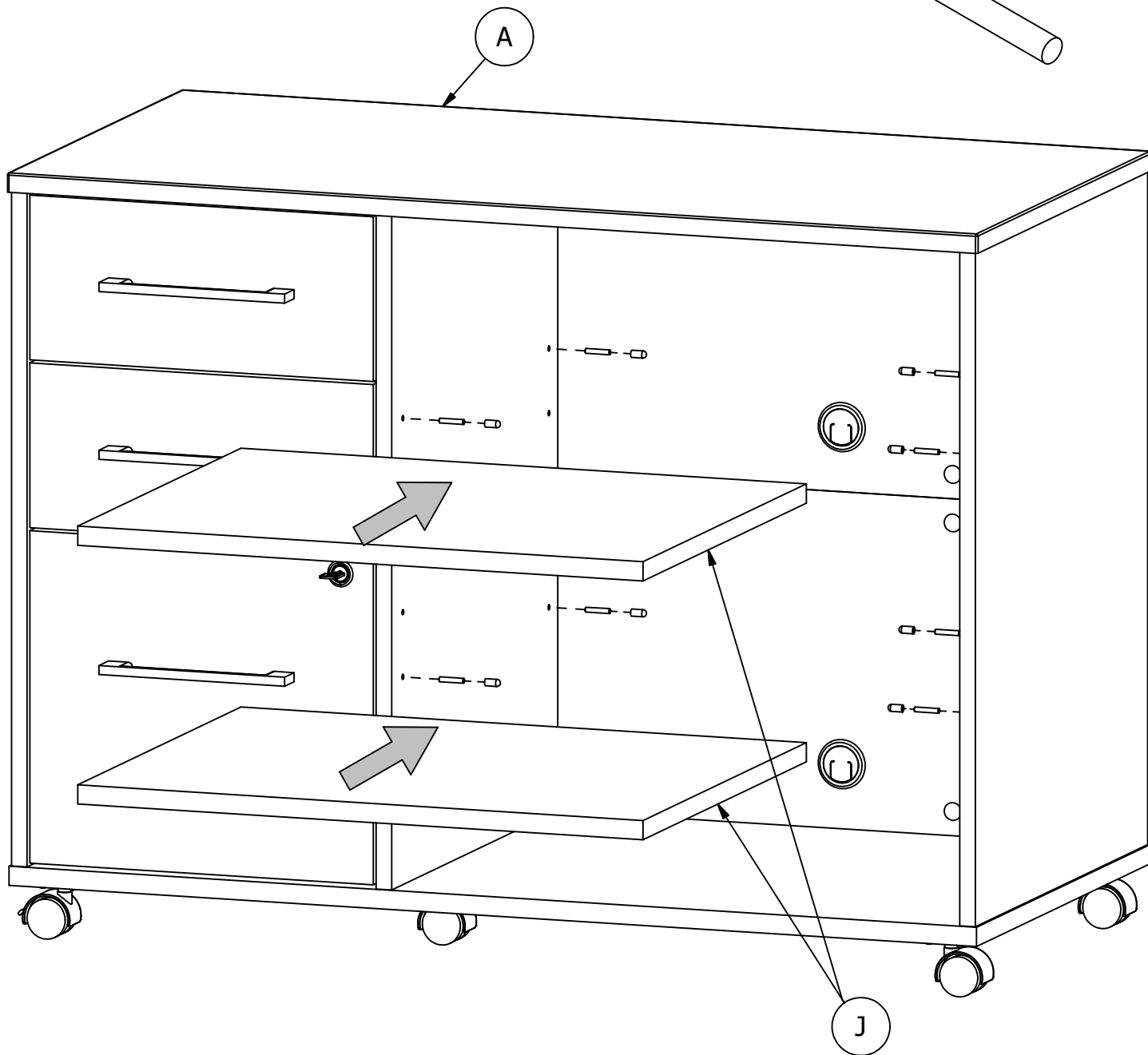
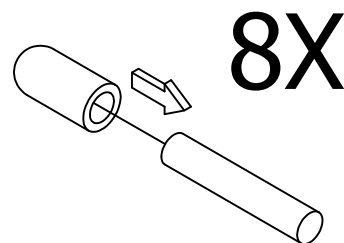
A216547B



[ 8 ]



[ 8 ]



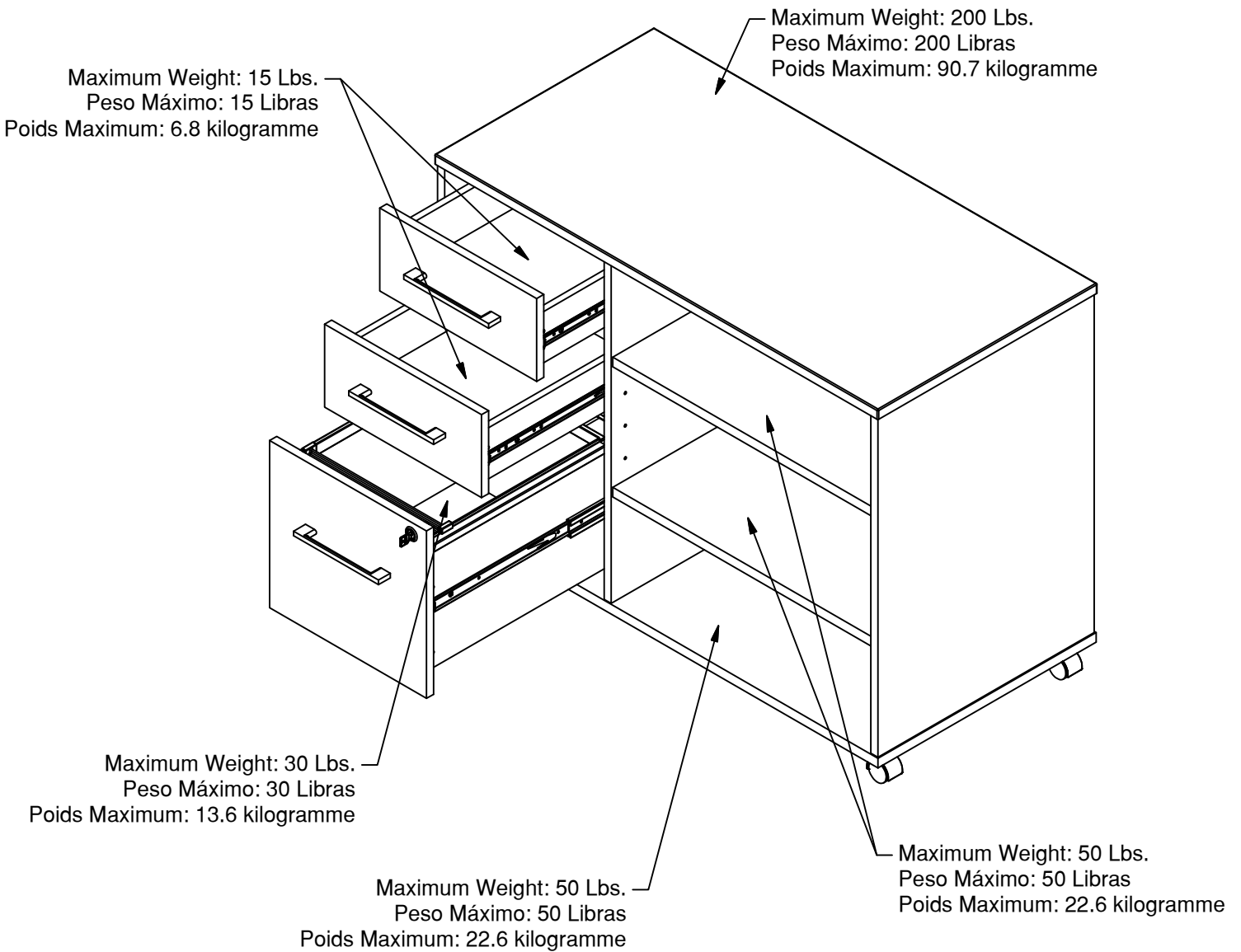
Have an assembly question or need a replacement part? Just call  
**1-800-950-4782**, we are here to help.

Scan QR Code to Watch Video on:



How to Clean the Surface

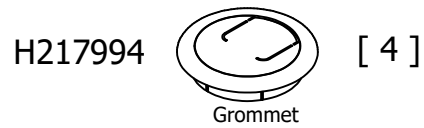
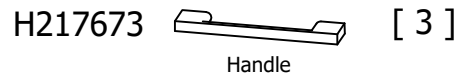
Gently clean surfaces with a damp sponge eraser.



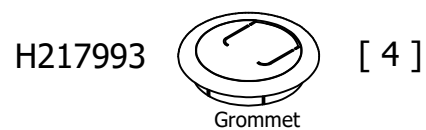
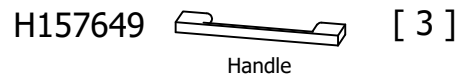
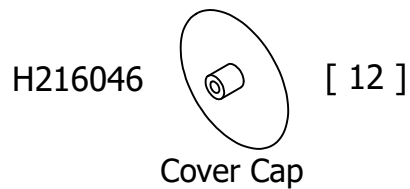
Congratulations! You are all done. If you have any questions or concerns, please call.

Have an assembly question or need a replacement part? Just call **1-800-950-4782**, we are here to help.

HUF140WH		
LABEL	QTY	PART NUMBER
A	1	W216548
B	1	W216549
C	1	W216550
D	1	W216551
E	3	W87410
F	1	W192433
G	2	W216553
H	1	W216554
J	2	W216555
K	4	W107675
L	2	W128623
M	1	W216557
N	2	W216556
P	2	W192560



HUF140NE		
LABEL	QTY	PART NUMBER
A	1	W217870
B	1	W217871
C	1	W217872
D	1	W217873
E	3	W87410
F	1	W192433
G	2	W217875
H	1	W217876
J	2	W217877
K	4	W107675
L	2	W128623
M	1	W217779
N	2	W217878
P	2	W192560



HUF140PG		
LABEL	QTY	PART NUMBER
A	1	W217880
B	1	W217881
C	1	W217882
D	1	W217883
E	3	W87410
F	1	W192433
G	2	W217885
H	1	W217886
J	2	W217887
K	4	W107675
L	2	W128623
M	1	W217772
N	2	W217888
P	2	W192560

