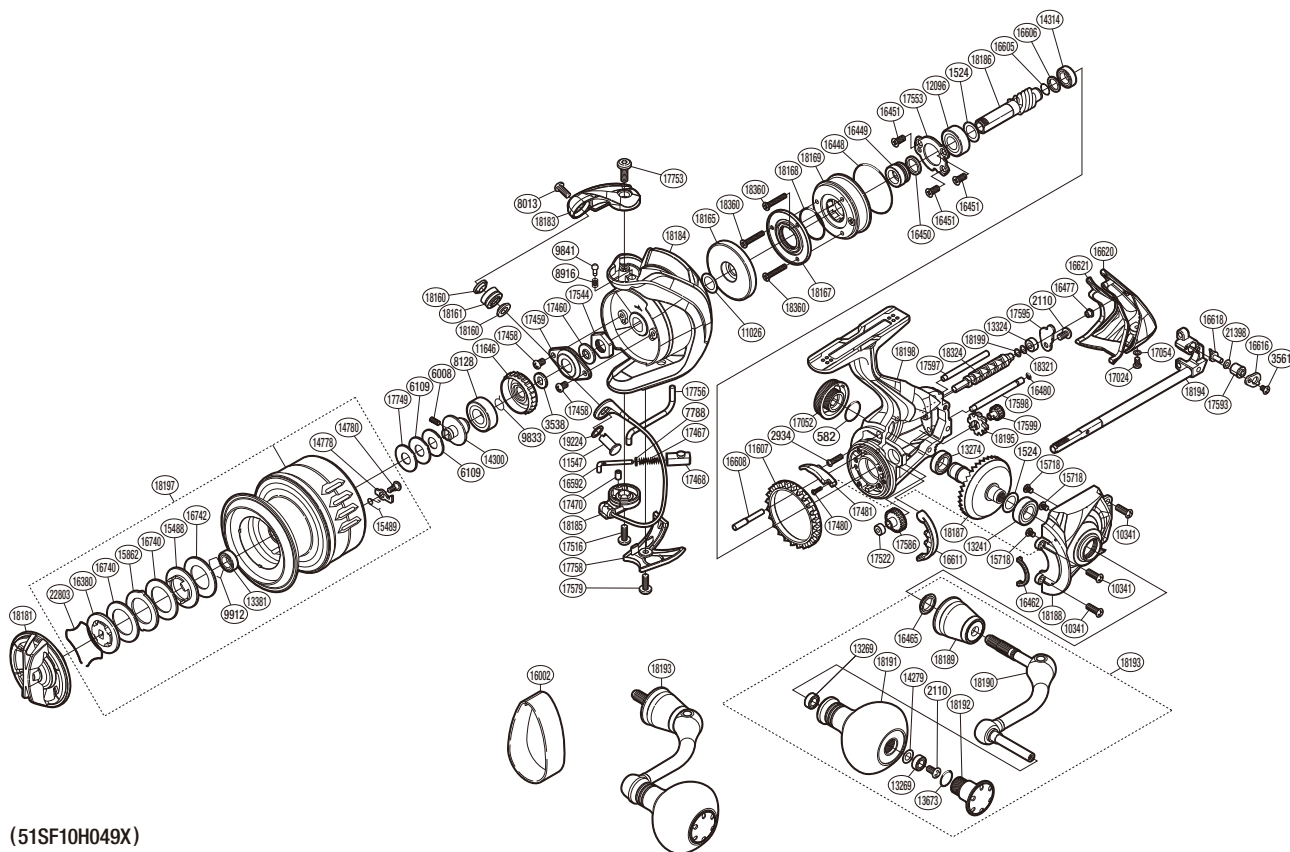


SHIMANO

TWIN POWER

TPXD-C5000XG



(51SF10H049X)

#	Part No.	Description	#	Part No.	Description	#	Part No.	Description
582	108WH	O Ring	16449	107S5	Roller Clutch Inner	17598	104MG	Oscillating Guide B
1524	10JDC	Washer	16450	10H4G	Roller Clutch Inner Spacer	17599	106VU	Idle Gear B S
2110	103E9	Screw	16451	10ML6	Screw	17749	10BSG	Spool Washer
2934	10LPQ	Screw	16462	10CBC	Flange Water Proof	17753	10TNC	Screw
3538	103NX	Spool Support	16465	10PXU	Handle Shaft Seal	17756	10TRF	Bail Trip Lever
3561	10MT4	Screw	16477	10AYN	Rear Protector Collar	17758	10TPK	Bail Hold Support Guard
6008	10PN2	Set Screw	16480	10JAB	O Ring	18160	1020L	Bearing Spacer
6109	10BSJ	Spool Washer	16592	105YZ	Bail Spring Guide A	18161	101KE	Line Roller(With Bearing)
7788	1064R	Spring Guide A Support	16605	108W6	O Ring	18165	10SYA	Rotor Ring
8013	10K40	Screw	16606	10J6G	Pinion Gear Spacer	18167	10SYJ	Roller Clutch Reinforce
8128	10KXC	Ball Bearing	16608	10CLB	Idle Gear B Shaft	18168	10SYC	O Ring
8916	10CH0	Click Spring	16611	10J3P	Friction Ring Spacer	18169	10SYM	Roller Clutch Assembly
9833	107V2	Ratchet Spring	16616	10HAH	Oscillating Pawl Cover	18181	10RX6	Drag Knob
9841	10CHA	Click Pin	16618	106VM	Oscillating Pawl	18183	10SYN	Bail Arm
9912	10GEW	Bearing Retainer	16620	10NL5	Rear Protector	18184	101LE	Rotor
10341	10M2B	Screw	16621	107HK	Rear Shield	18185	101LF	Bail Assembly
11026	10JDE	Washer	16740	10345	Drag Washer	18186	10SYH	Pinion Gear
11547	10L01	Line Roller Support	16742	10C1A	Drag Washer	18187	10TSM	Drive Gear
11607	104FU	Friction Ring	17024	10PRY	Screw	18188	10TSR	Side Cover
11646	107PS	Drag Click Ratchet	17052	10N4J	Handle Screw Cap	18189	10TSV	Handle Shaft Cover
12096	104Q6	Ball Bearing	17054	10HVD	Washer	18190	10TST	Handle Shank Assembly
13241	104JD	Ball Bearing	17458	10PMD	Screw	18191	10DH7	Handle Knob
13269	104VX	Ball Bearing	17459	10R2K	Rotor Nut Lock Plate	18192	10SYB	Handle Knob Seal
13274	104PP	Ball Bearing	17460	107L5	Bearing Water Proof	18193	10RX5	Handle Assembly
13324	106CM	Worm Bushing	17467	10R2P	Bail Spring	18194	10TSS	Main Shaft Assembly
13381	104JT	Ball Bearing	17468	10R2E	Bail Spring Seat	18195	10SYD	Idle Gear B L
13673	10LAA	O Ring	17470	10R2F	Bail Spring Guide A Bush	18197	10RX7	Spool Assembly
14279	10G8G	Washer	17480	10R1M	Screw	18198	10TSP	Body
14300	10LTS	Bearing Bushing	17481	10R31	Bail Trip Strike	18199	10ECK	Washer
14314	104JU	Ball Bearing	17516	10PS4	Screw	18321	10GHF	Washer
14778	10388	Drag Click	17522	106M8	Worm Bushing (Front)	18324	10ECM	Worm Shaft
14780	10A6F	Screw	17544	1067X	Rotor Nut	18360	10SOC	Screw
15488	10BBQ	Key Washer	17553	10594	Bearing Retainer	19224	1002S	Washer
15489	10BQE	Drag Click Spring	17579	10PS9	Screw	21398	10RKQ	Washer
15718	1055G	Screw	17586	10HEV	Idle Gear	22803	145QR	Drag Washers Retainer
15862	102XW	Eared Washer	17593	10JXV	Oscillating Slider Bushing			
16380	10QBV	Key Washer	17595	10ATE	Worm Shaft Retainer			
16448	10MLT	O Ring	17597	1035T	Oscillating Guide A	16002	109UU	Line Band SS (Accessory)

Please note that the number of adjusting washers may not be the same as shown in the exploded views.
(Adjustment will vary with each individual product.)

(241225)_015