

ASSEMBLY INSTRUCTION






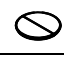

ITEM: 5961-75201B-02 Round Dining Table Base
 5961-75201T-02 Round Dining Table Top
 5961-75201B-89 Round Dining Table Base
 5961-75201T-89 Round Dining Table Top

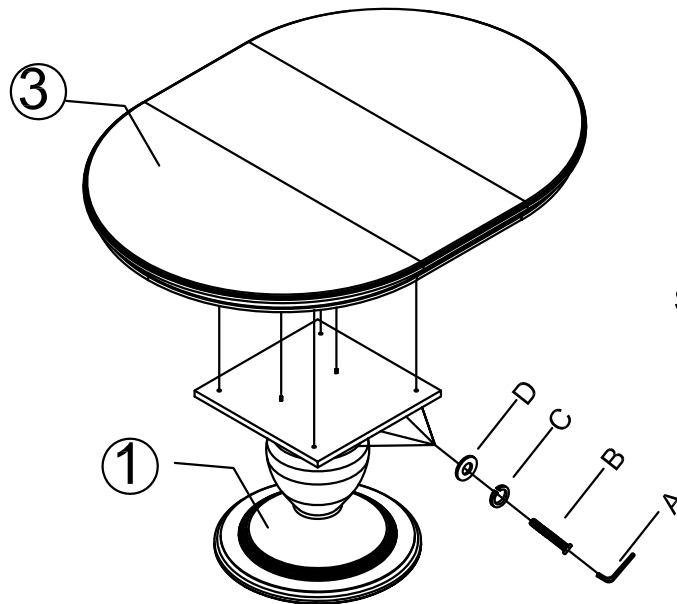
Thank you for purchasing this quality product. Be sure to unpack carefully looking for small parts which may have come loose during shipment.

Read all instruction and study the drawing carefully before starting the assembly process.

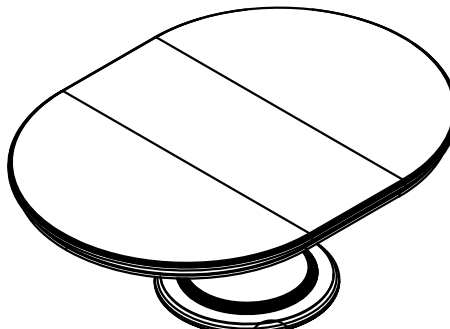
HARDWARE PACK

PART LIST

NO.	DRAWING	DESCRIPTION	SIZE	Q'TY	NO.	DRAWING	DESCRIPTION	Q'TY
A		Allen Wrench	73*29*5mm	1PC	①		Base	1PC
B		Bolt	$\frac{5}{16}$ "	4PCS	②		Leaf	1PC
C		Lock Washer	$\frac{5}{16}$ "	4PCS	③		Table Top	1PC
D		Flat Washer	$\frac{5}{16}$ "	4PCS				

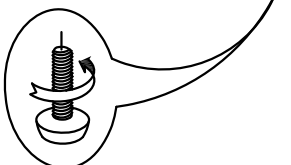


STEP 1



STEP 2

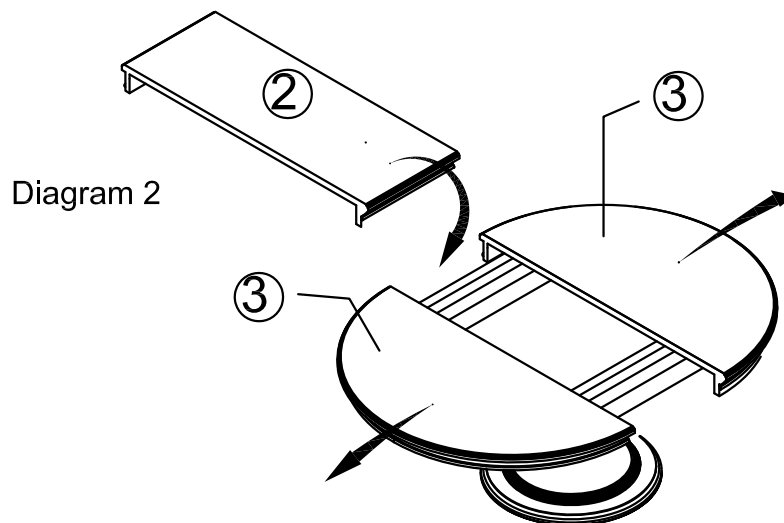
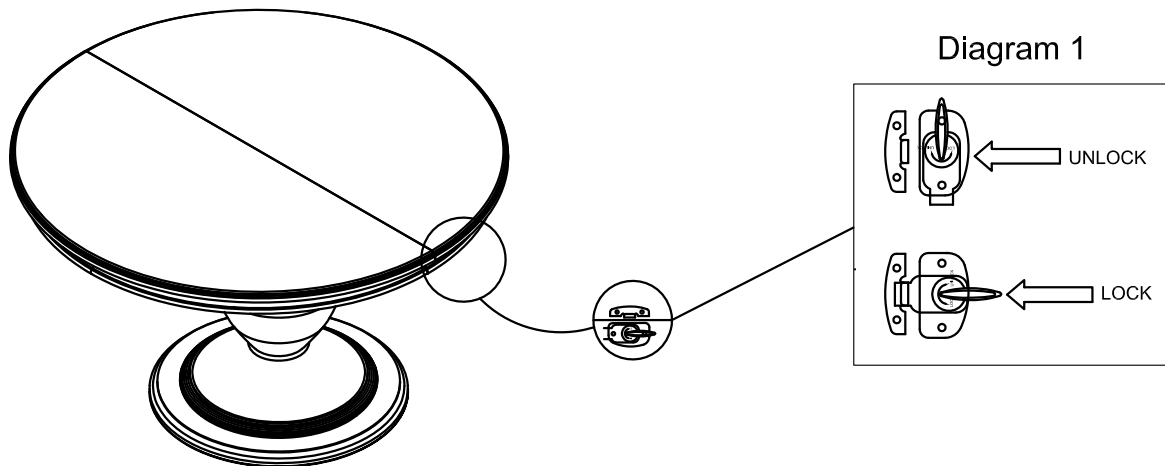
Adjust Leveler if needed to level table on uneven floor.



ASSEMBLY INSTRUCTION

ITEM: 5961-75201B-02 Round Dining Table Base
5961-75201T-02 Round Dining Table Top
5961-75201B-89 Round Dining Table Base
5961-75201T-89 Round Dining Table Top

Thank you for purchasing this quality product. Be sure to unpack carefully looking for small parts which may have come loose during shipment.
Read all instruction and study the drawing carefully before starting the assembly process.



Instruction for table leaf:

1. There are latches at the bottom of table top, unlock the latches as shown in Diagram 1 above.
2. Pull out table top as the arrow direction shown in Diagram 2.
3. Place table leaf (2) between table tops and push table tops together.
4. Lock the latches. (See Diagram 1)
5. Take opposite actions to remove table leaf.