

Assembly Guide

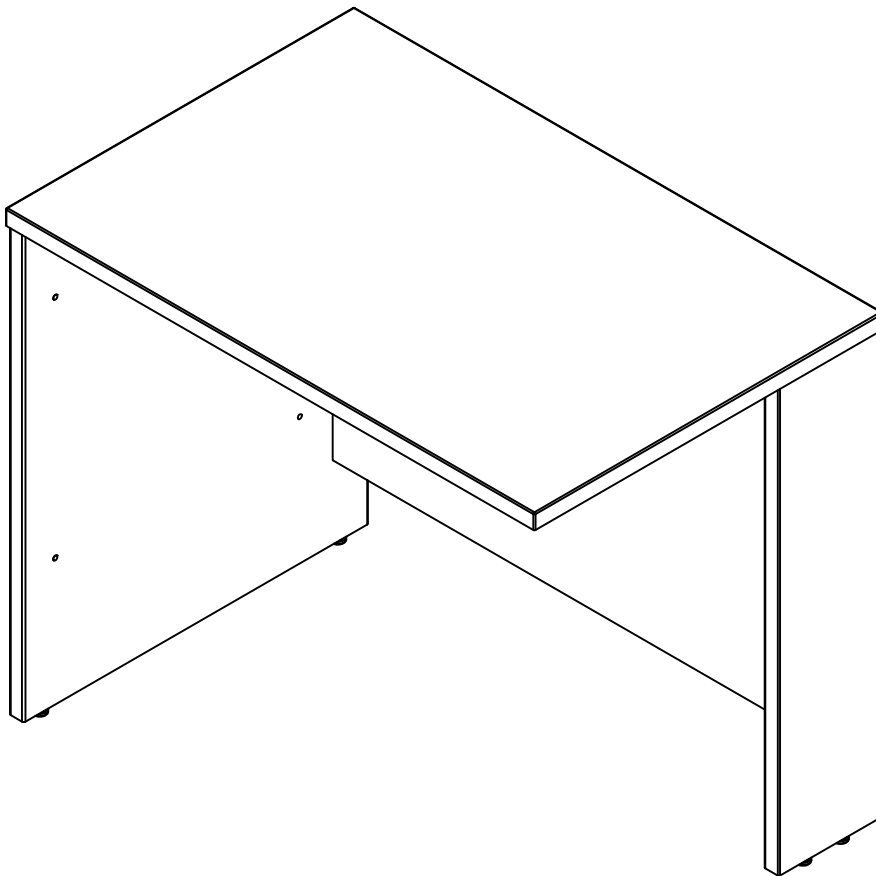


If you're having any difficulty during assembly of this product, don't hesitate to call us at 1-800-950-4782.

Our customer service experts are trained to provide step-by-step instruction and can easily replace any missing or damaged parts.

Representatives are available Monday-Friday from 8:30 a.m. to 7:30 p.m. (ET)

36" Bridge / Return



Lot Code #

Instruction Sheet Number A177118F

Keep manual for future reference.

For best results, keep these tips in mind:

- ① We know you want to finish this assembly as quickly as possible, but trust us: you'll have a better experience if you take it one step at a time.
- ② Give yourself some room to work near where you want the fully assembled product.
- ③ If your floor isn't carpeted, assemble this product on the empty carton to avoid scratching.
- ④ Do you have a friend who owes you a favor? Some steps may go a little easier with a second set of hands.

DOs

- ✔ Use a #2 Phillips head screwdriver (or other handheld tools as indicated)
- ✔ Wear safety glasses at all times during assembly
- ✔ Carefully follow the instructions in this guide and complete all steps in order
- ✔ Give us a call if you're having trouble with a particularly tricky step

DON'Ts

- ✘ We know power tools are quick and easy, but you shouldn't use them when assembling this product (unless otherwise specified)
- ✘ Never move your furniture with items inside or resting on the surface
- ✘ Do not attempt to use this product before all steps have been completed



Watch assembly videos right on your phone or computer!



Some steps include QR codes that link to helpful videos. Watch out for the icon below! Simply open up your smartphone camera to scan the code.

(Users of older smartphones may need to install a QR Reader.)

SCAN HERE



FOR VIDEOS

Or visit <https://www.bushbusinessfurniture.com/CustomerService/HowtoAssemble.aspx>

IMPORTANT SAFETY INFORMATION



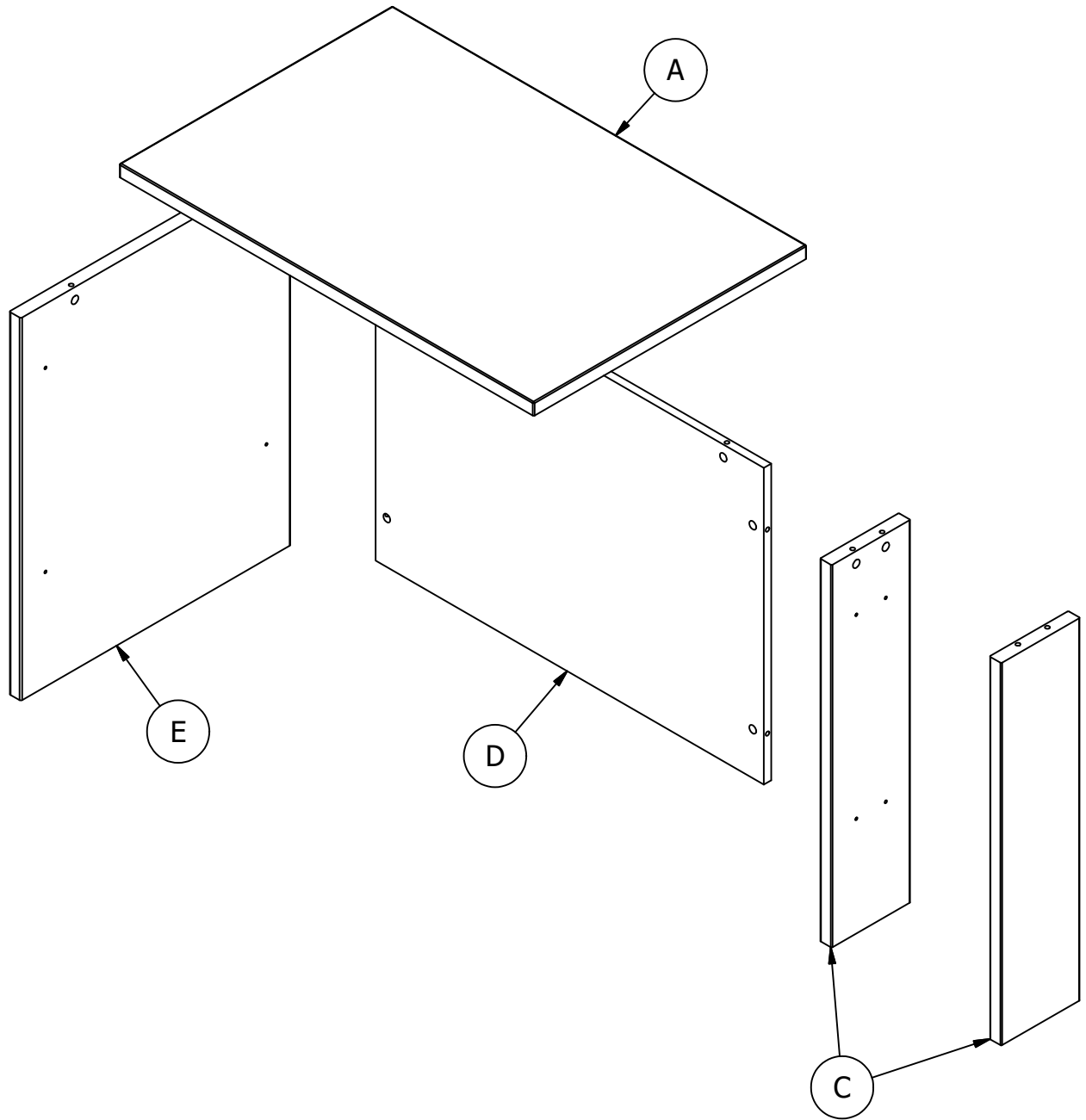
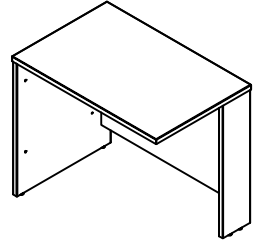
PLEASE READ WARNINGS

Improper use can cause safety hazards, or damage to your furniture and household items.

Warning	Do	Don't	Why it's important
Serious injury may occur.	<ul style="list-style-type: none">Assemble following all instructions using all indicated parts and hardware provided.	<ul style="list-style-type: none">Do not move unit when loaded.Do not load with a television or other heavy equipment.Do not exceed the maximum load limits stated in the instructions.	Improper assembly, use or loading can lead to product instability, tipover, or collapse.

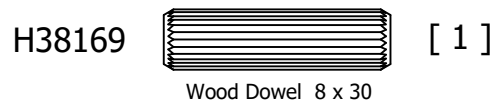
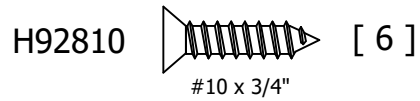
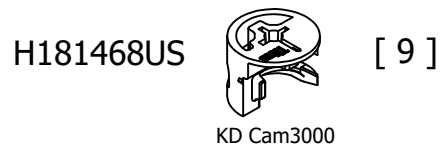
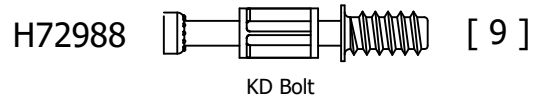
Advertencia	Hacer	No	Por qué es importante
Pueden producirse lesiones graves.	<ul style="list-style-type: none">Realice el montaje siguiendo todas las instrucciones y utilizando todas las piezas indicadas y los herrajes suministrados.	<ul style="list-style-type: none">No mueva la unidad cuando esté cargada.No cargue el mueble con un televisor u otro equipo pesado.No supere los límites máximos de carga indicados en las instrucciones.	El montaje, uso o carga inadecuados pueden provocar inestabilidad, vuelco o colapso del producto.

Avertissement	À faire	À ne pas faire	Pourquoi c'est important
Peut entraîner des blessures graves.	<ul style="list-style-type: none">Assembler en suivant toutes les instructions et en utilisant toutes les pièces et la quincaillerie incluses.	<ul style="list-style-type: none">Ne pas déplacer le meuble lorsqu'il est chargé.Ne pas charger le meuble avec un téléviseur ou tout autre équipement lourd.Ne pas dépasser les limites de poids maximales indiquées dans les instructions.	Un assemblage, une utilisation ou un chargement incorrects peuvent entraîner l'instabilité, le basculement ou l'effondrement du produit.



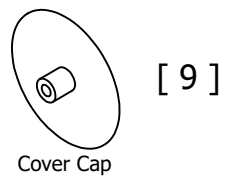
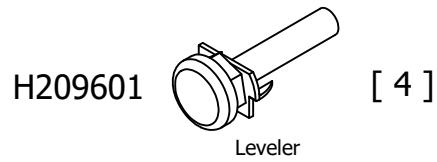
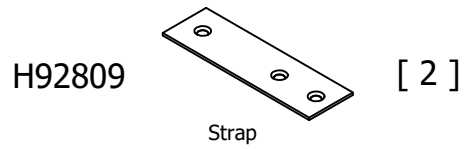
Have an assembly question or need a replacement part? Just call
1-800-950-4782, we are here to help.

Fasteners are shown actual size.

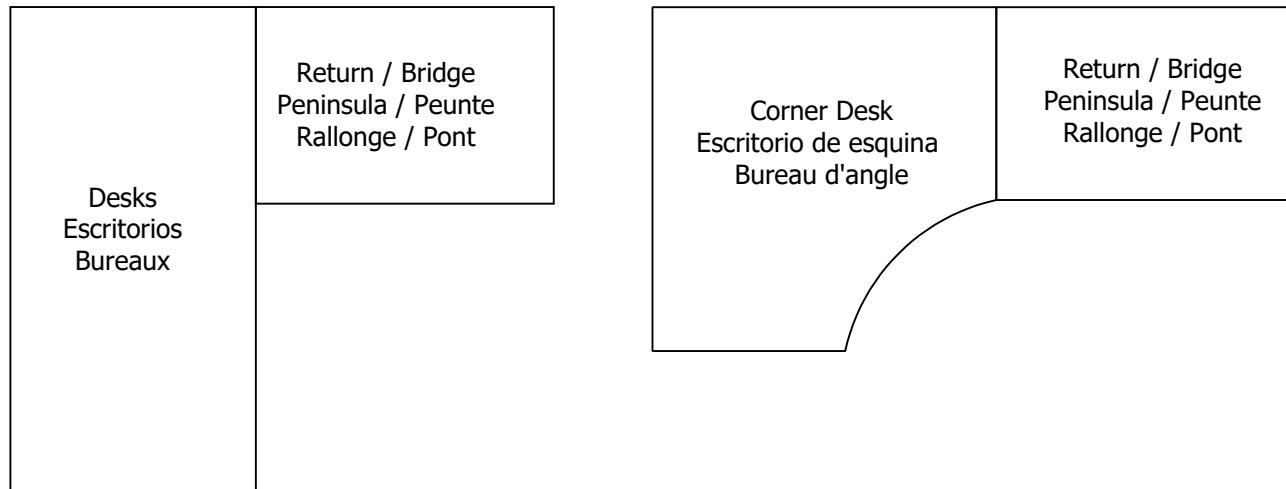


Have an assembly question or need a replacement part? Just call
1-800-950-4782, we are here to help.

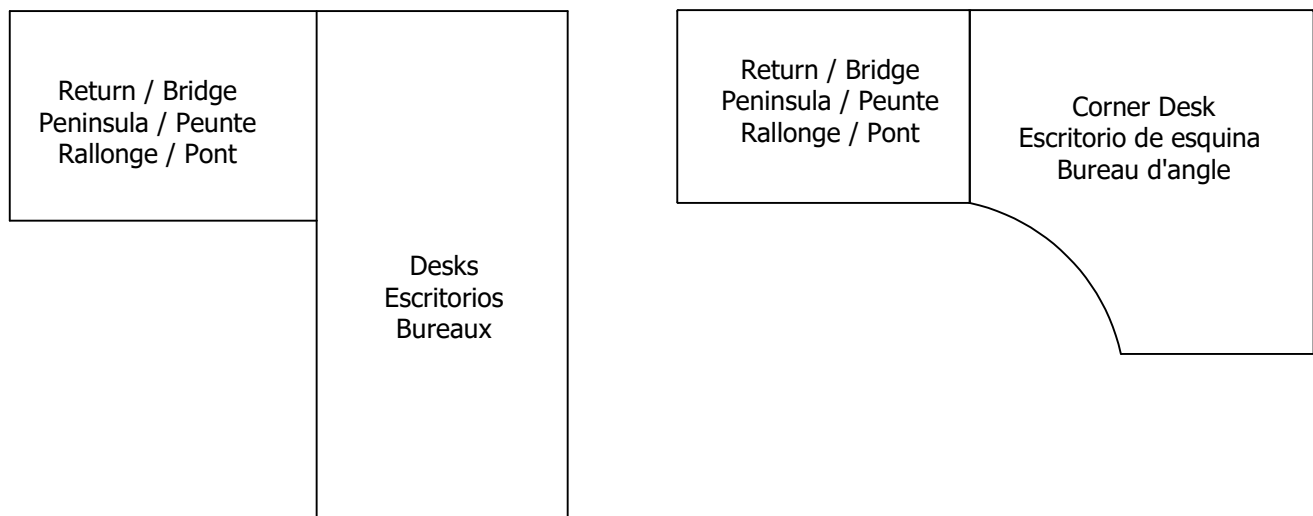
Hardware not to scale.



Have an assembly question or need a replacement part? Just call
1-800-950-4782, we are here to help.

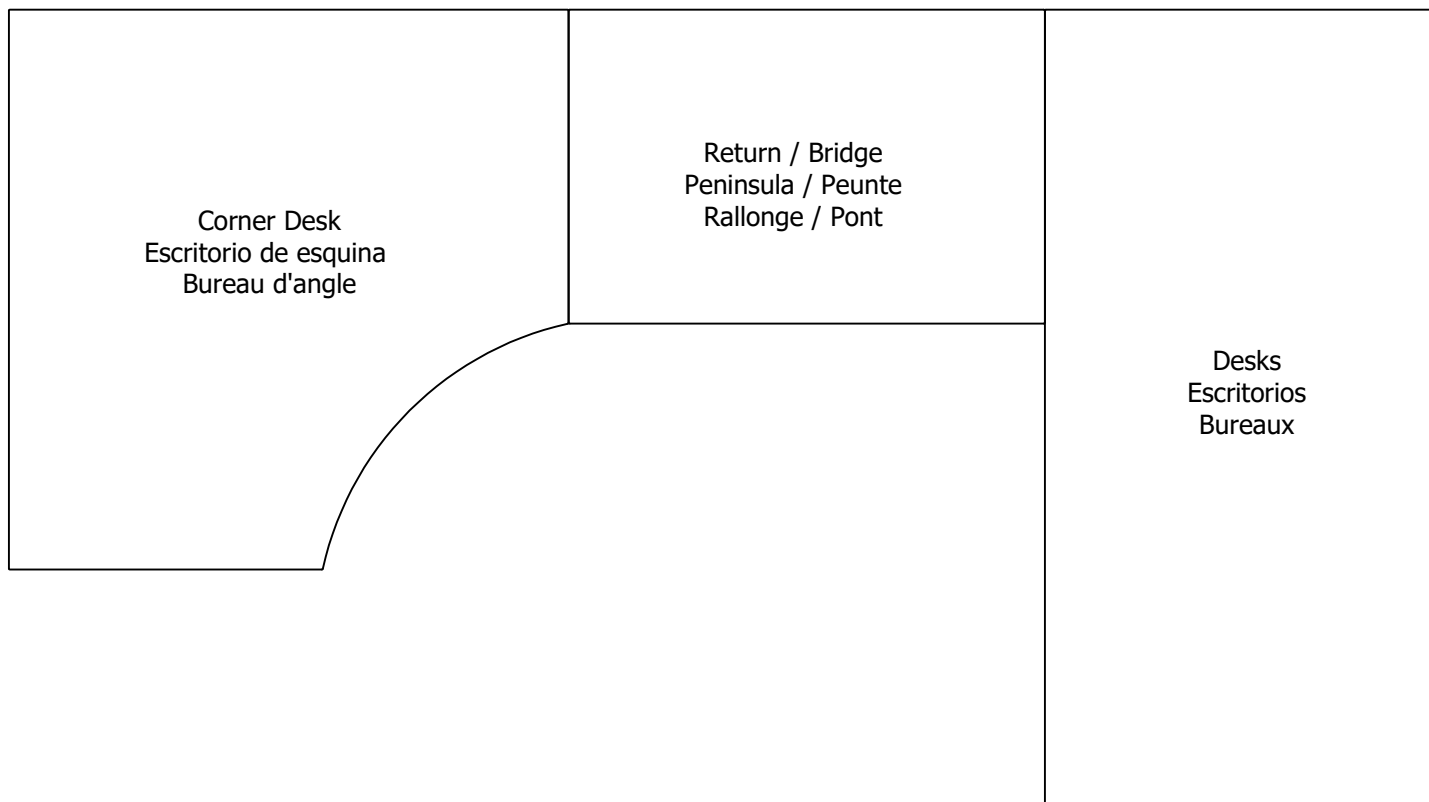


Go to Step 3.
Proceda al paso 3.
Allez à l'étape 3.



Go to Step 10.
Proceda al paso 10.
Allez à l'étape 10.

Have an assembly question or need a replacement part? Just call
1-800-950-4782, we are here to help.

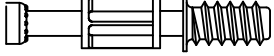


Go to Step 17.
Proceda al paso 17.
Allez à l'étape 17.

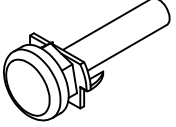
STEP 3

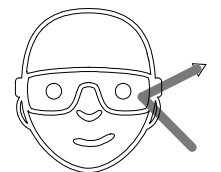
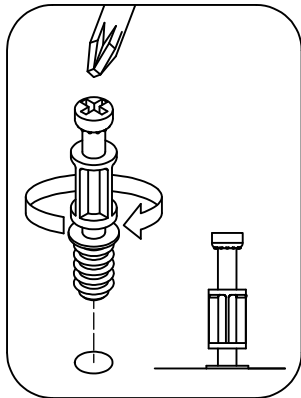
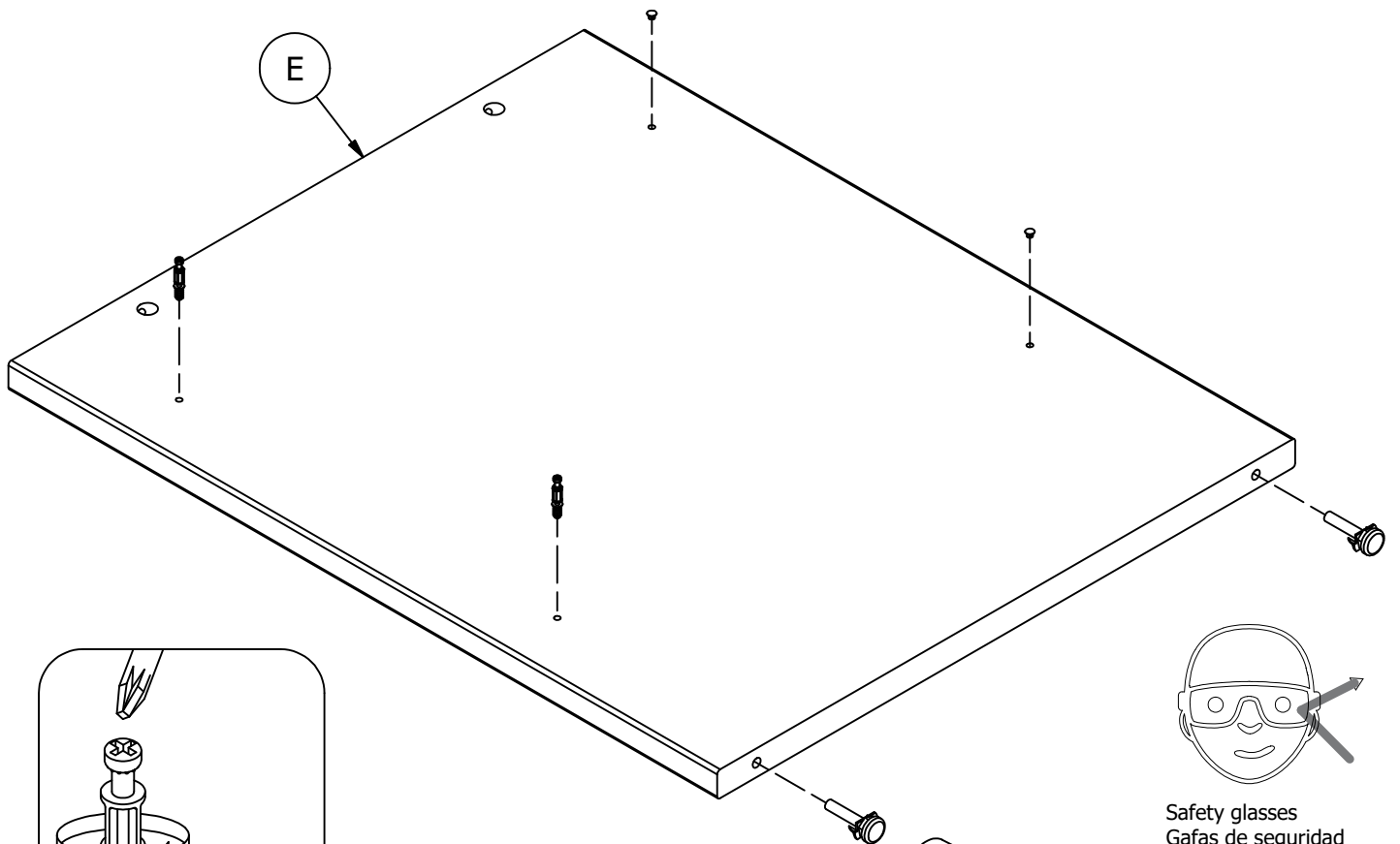
Prepare Panel

A177118F

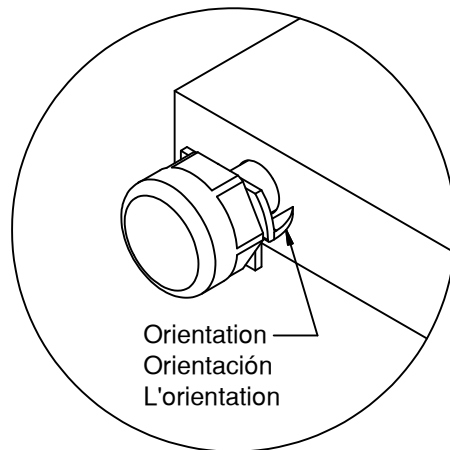
H72988  [2]
KD Bolt

 [2]
5mm Hole Plug

H209601  [2]
Leveler



Safety glasses
Gafas de seguridad
Lunettes de protection



Orientation
Orientación
L'orientation

Have an assembly question or need a replacement part? Just call
1-800-950-4782, we are here to help.

STEP 4

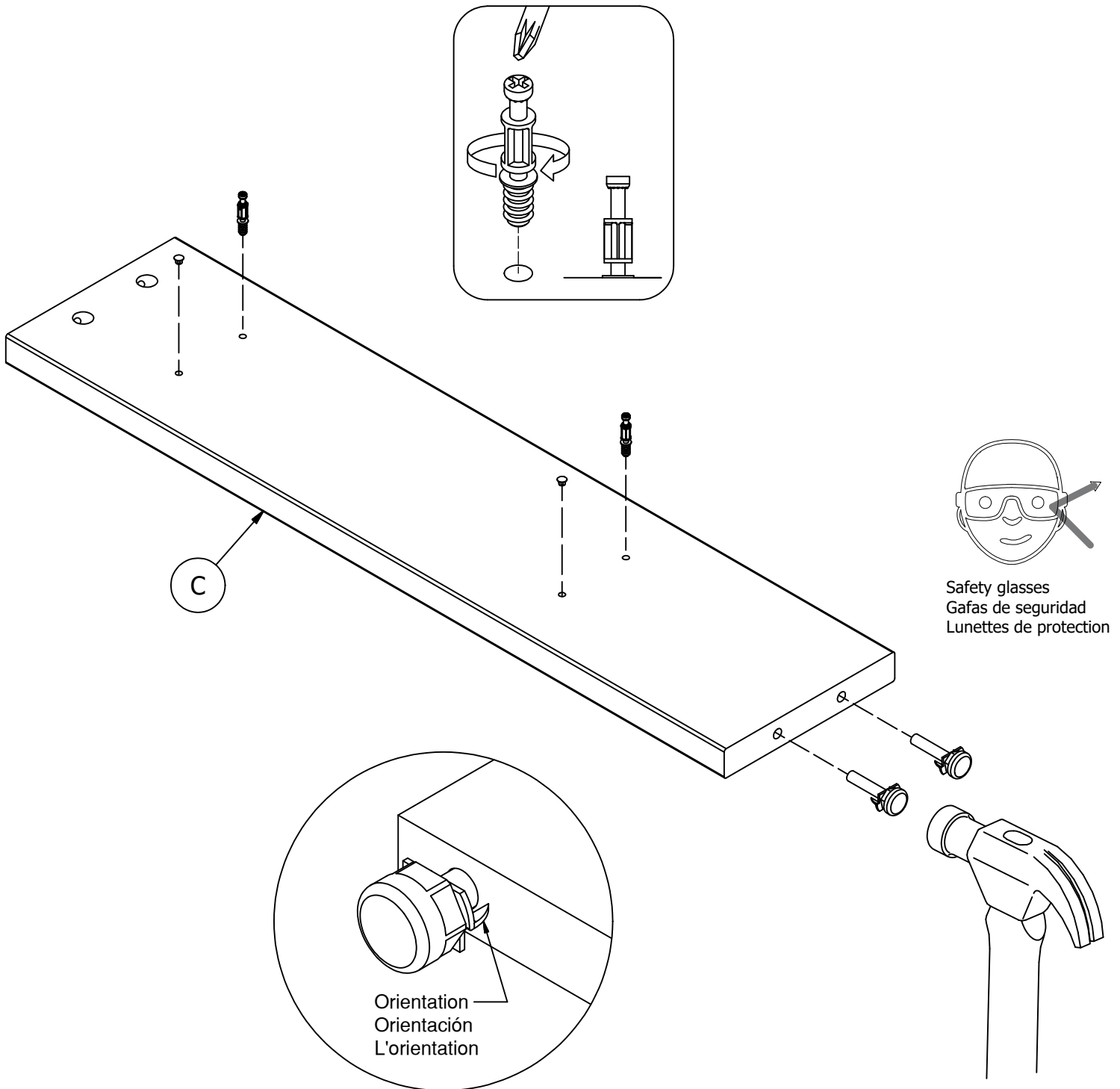
Prepare Panel

A177118F

H72988 [2]
KD Bolt

[2]
5mm Hole Plug

H209601 [2]
Leveler



Have an assembly question or need a replacement part? Just call
1-800-950-4782, we are here to help.

STEP 5

Assemble Panels

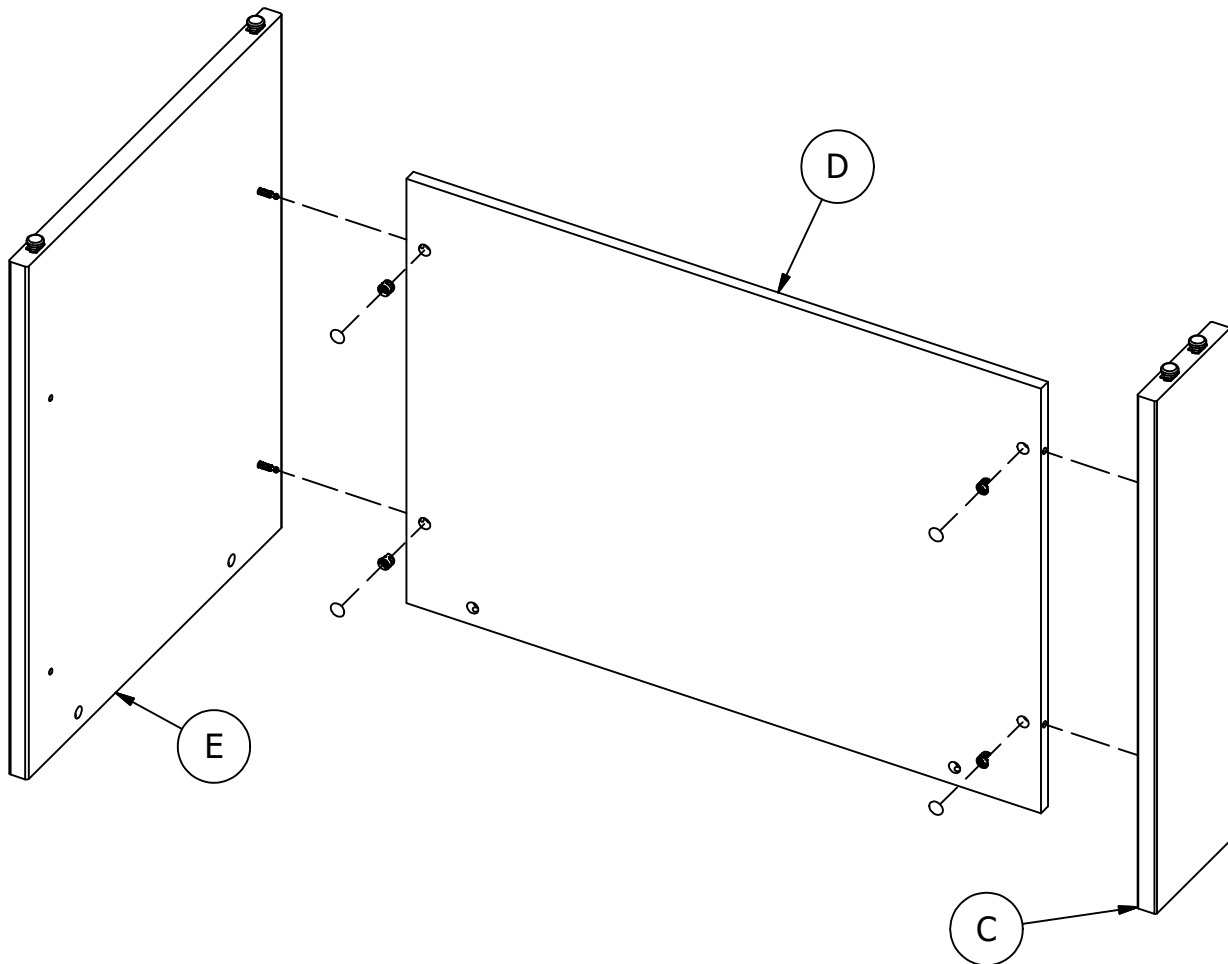
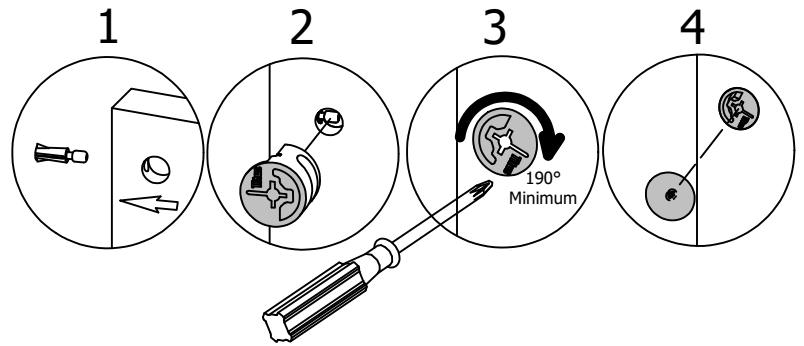
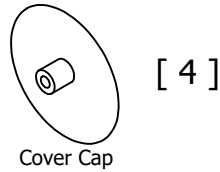
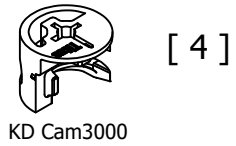
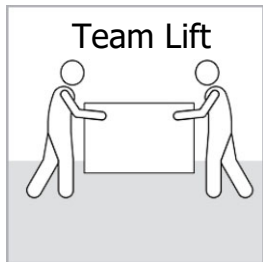
A177118F

Scan QR Code to Watch Video on:

H181468US



How to Tighten KD Cams



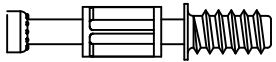
Have an assembly question or need a replacement part? Just call **1-800-950-4782**, we are here to help.

STEP 6

Prepare Panel

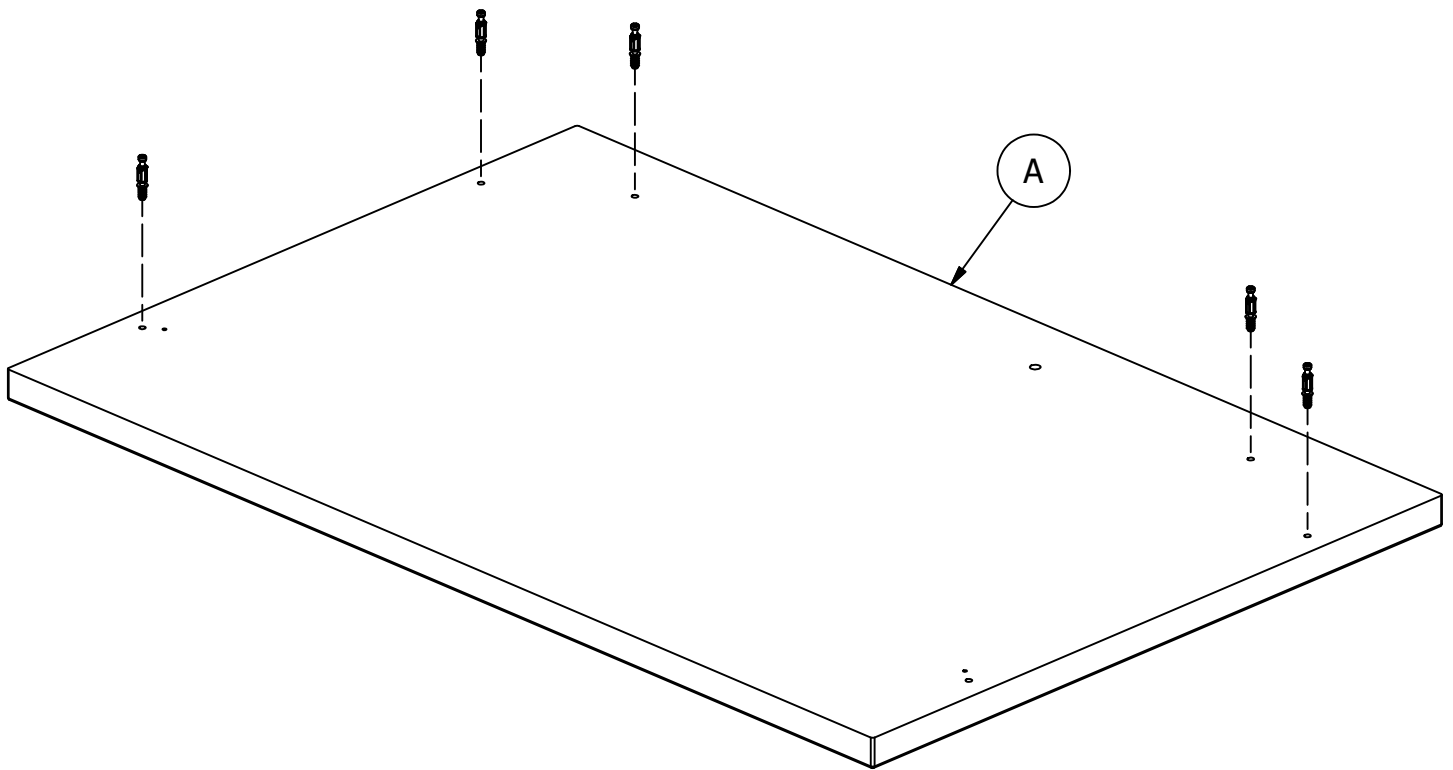
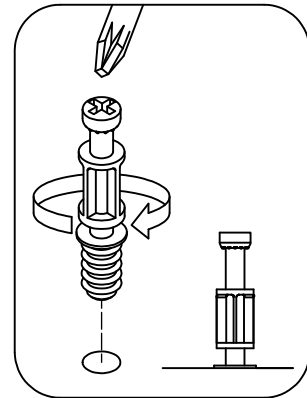
A177118F

H72988



[5]

KD Bolt



Have an assembly question or need a replacement part? Just call
1-800-950-4782, we are here to help.

STEP 7

Assemble Panels

A177118F

Scan QR Code to Watch Video on:



How to Tighten KD Cams

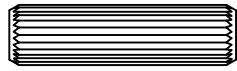
H181468US



KD Cam3000

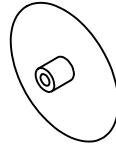
[5]

H38169



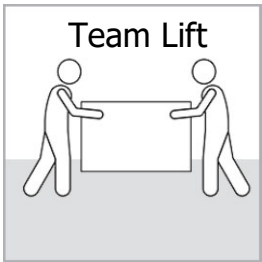
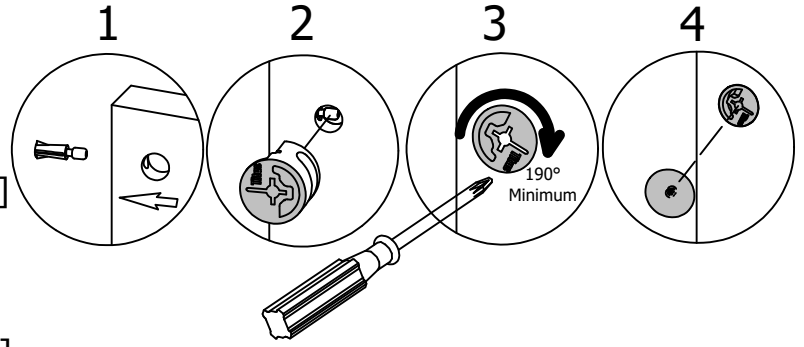
Wood Dowel 8 x 30

[1]

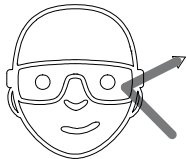


Cover Cap

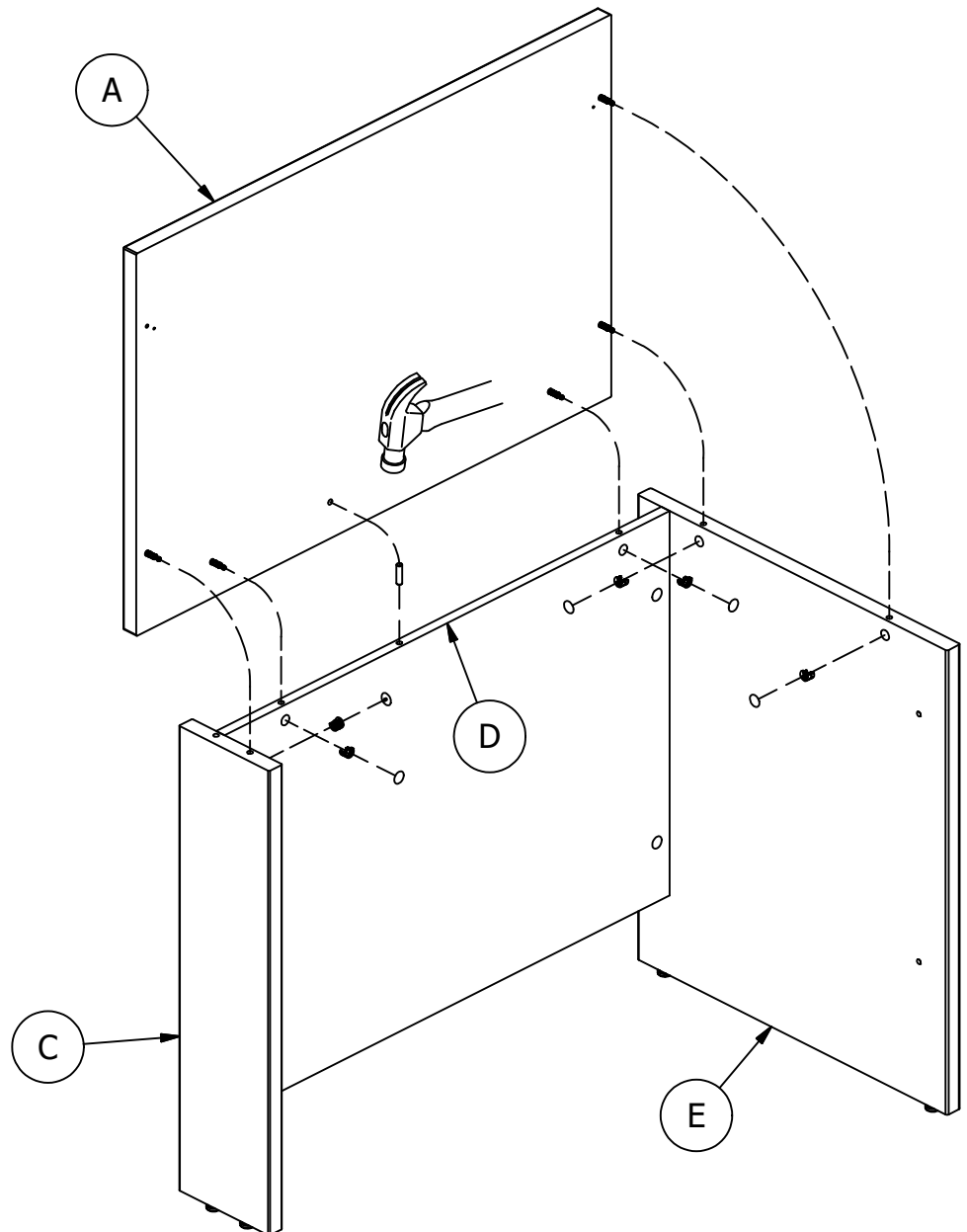
[5]



Team Lift



Safety glasses
Gafas de seguridad
Lunettes de protection

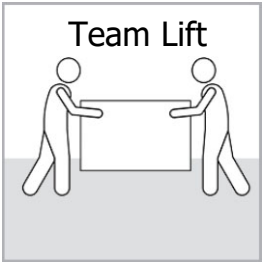


Have an assembly question or need a replacement part? Just call **1-800-950-4782**, we are here to help.

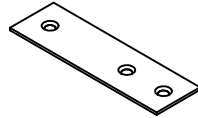
STEP 8

Attach Hardware

A177118F



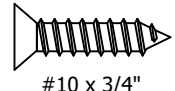
H92809



[1]

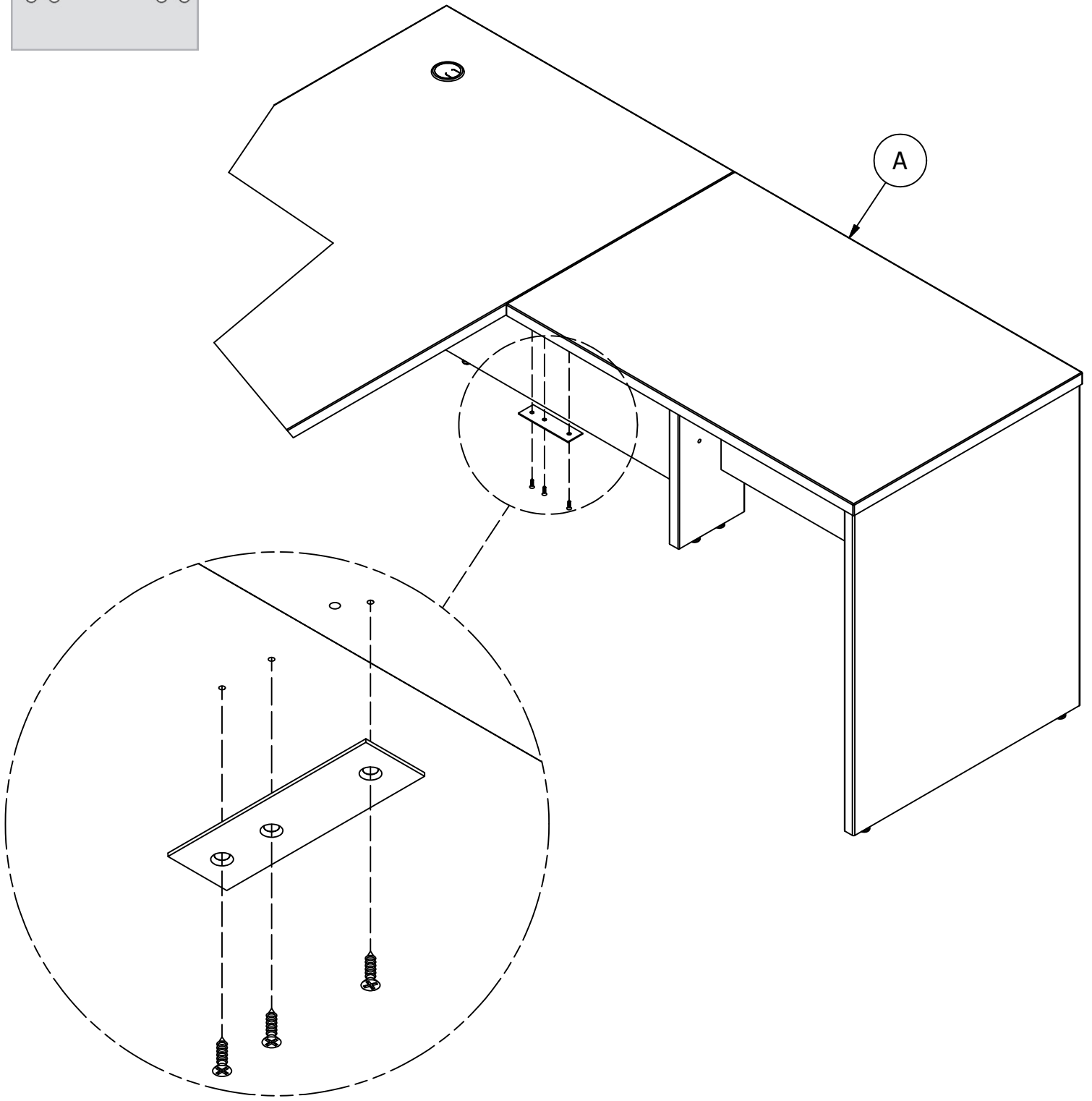
Strap

H92810



[3]

#10 x 3/4"



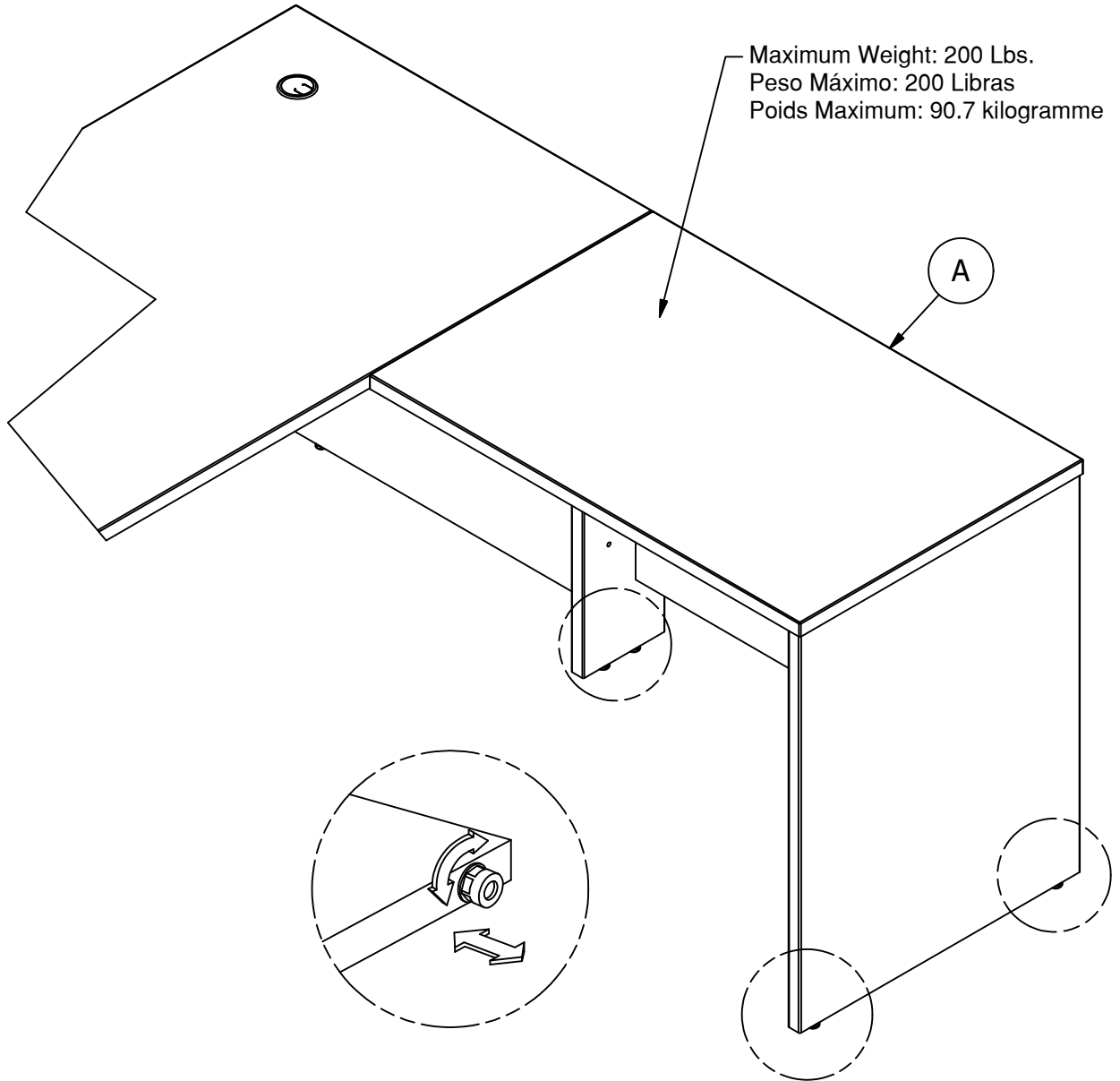
Have an assembly question or need a replacement part? Just call **1-800-950-4782**, we are here to help.

Scan QR Code to Watch Video on:



How to Clean the Surface

Gently clean surfaces with a damp sponge eraser.



Congratulations! You are all done. If you have any questions or concerns, please call.

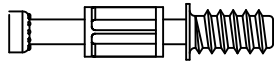
Have an assembly question or need a replacement part? Just call **1-800-950-4782**, we are here to help.

STEP 10

Prepare Panel

A177118F

H72988



[2]

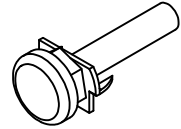
KD Bolt



[2]

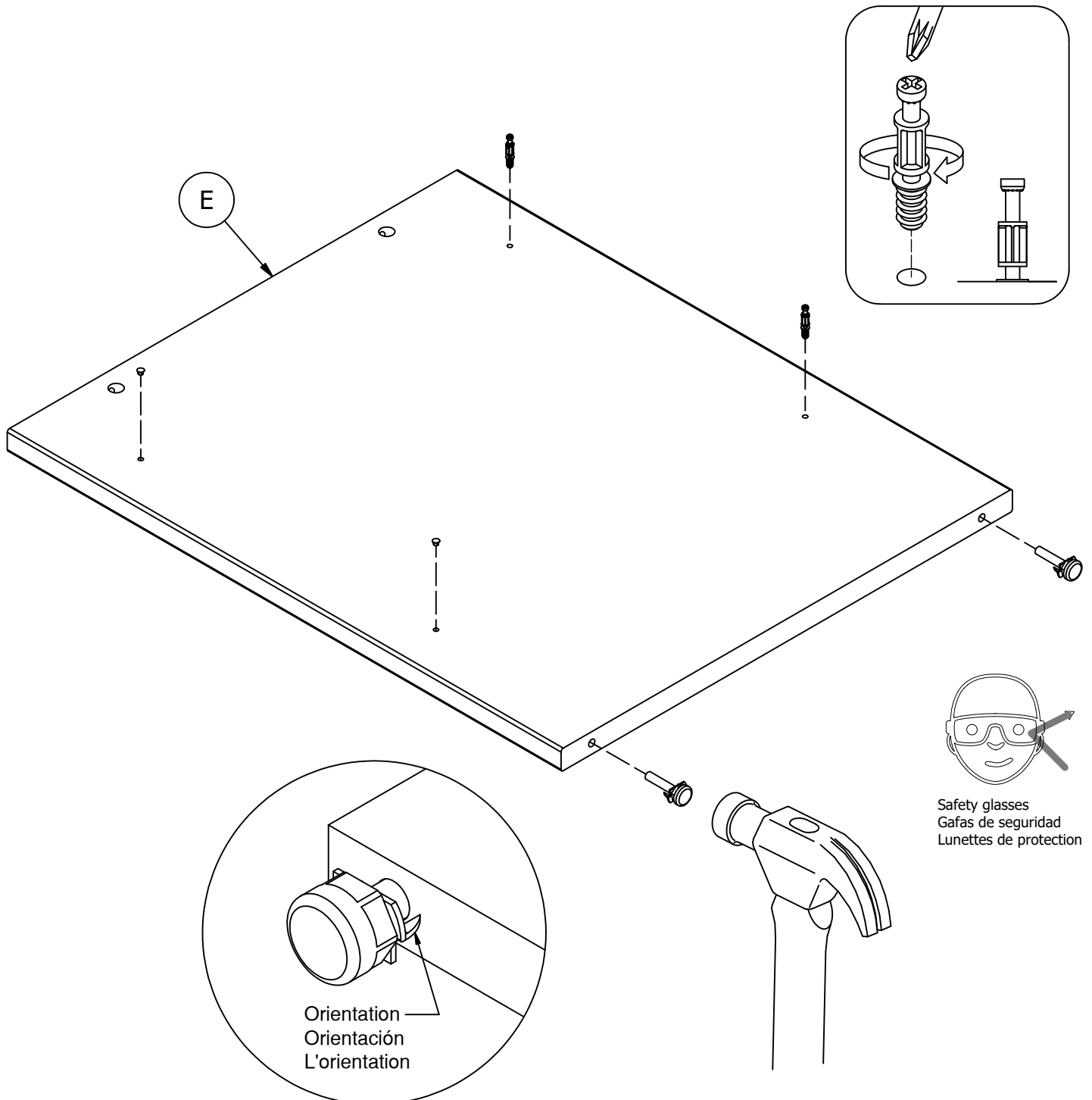
5mm Hole Plug

H209601



[2]

Leveler



Have an assembly question or need a replacement part? Just call
1-800-950-4782, we are here to help.

STEP 11

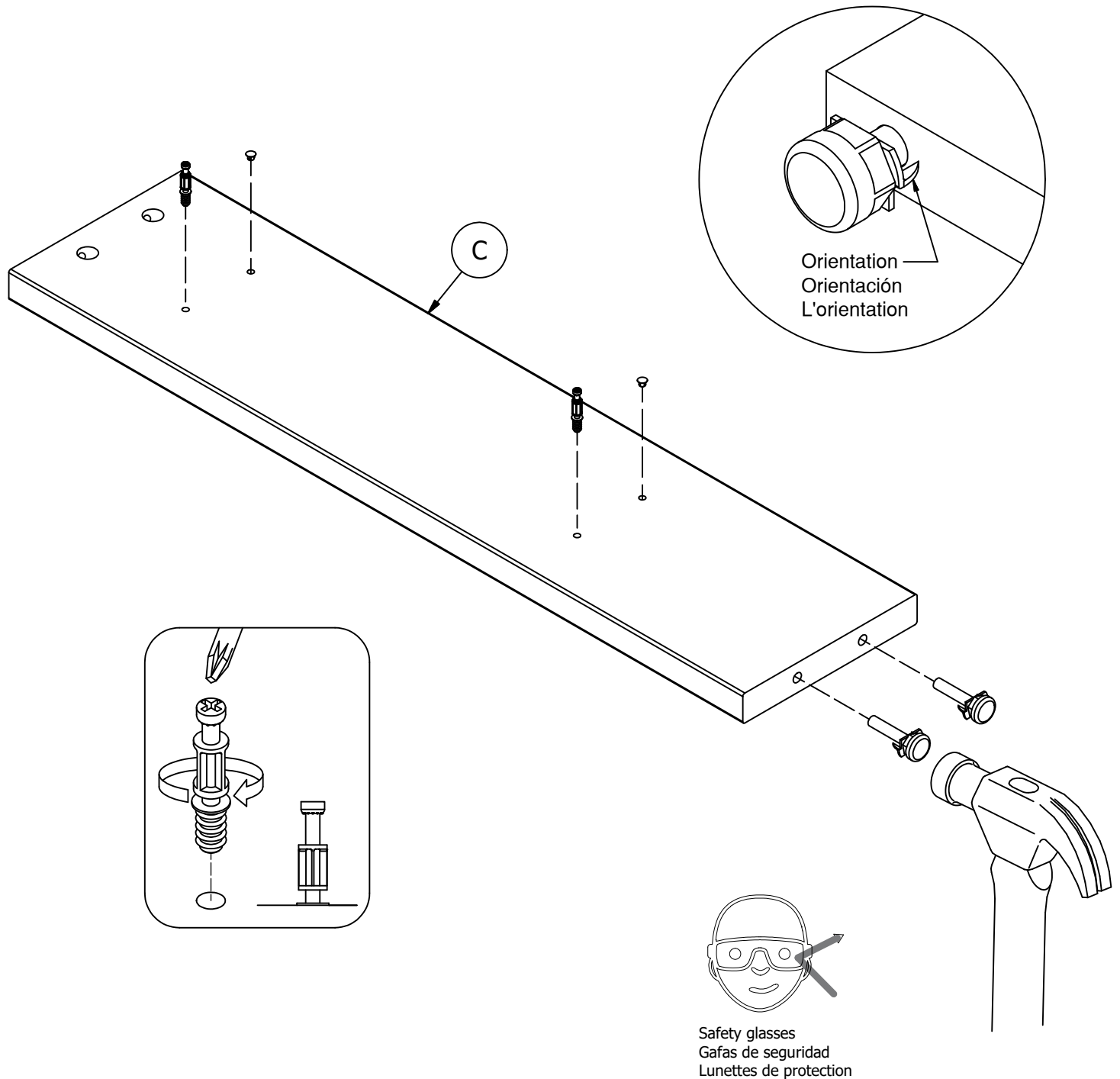
Prepare Panel

A177118F

H72988 [2]
KD Bolt

[2]
5mm Hole Plug

H209601 [2]
Leveler



Have an assembly question or need a replacement part? Just call
1-800-950-4782, we are here to help.

STEP 12

Assemble Panels

A177118F

Scan QR Code to Watch Video on:

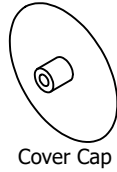


How to Tighten KD Cams

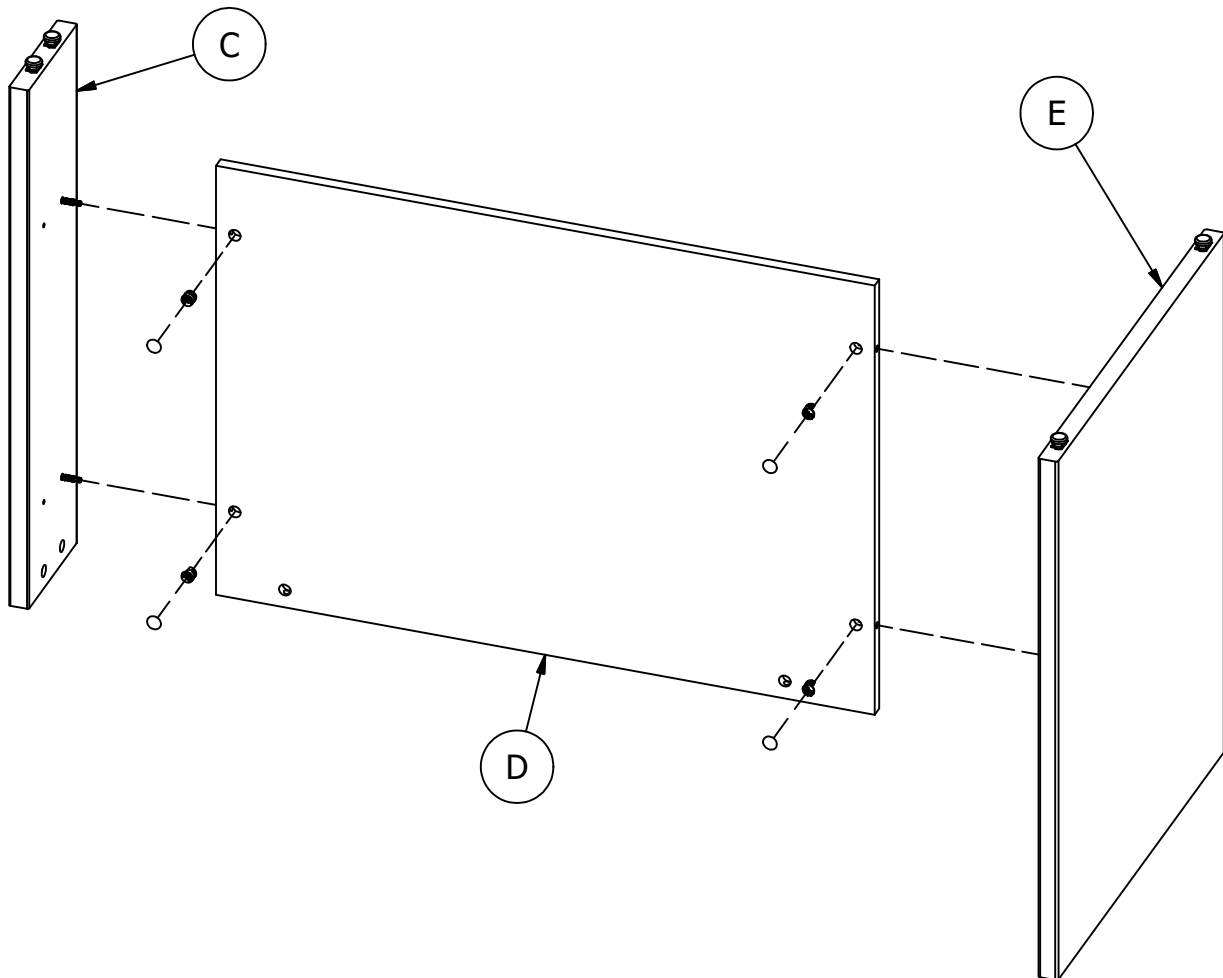
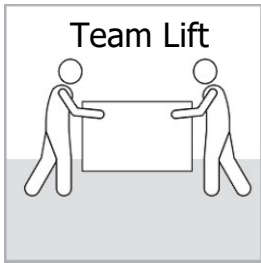
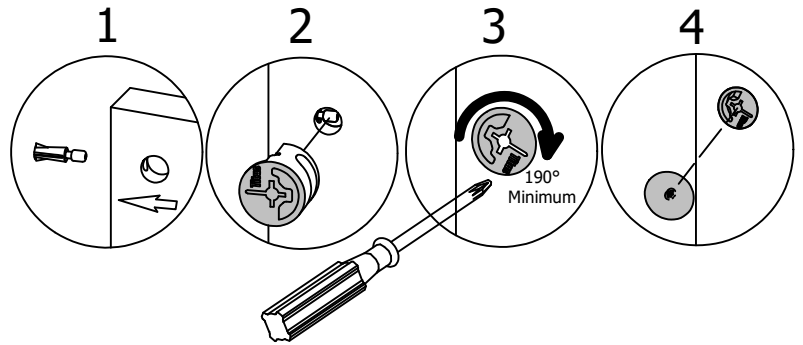
H181468US



[4]



[4]



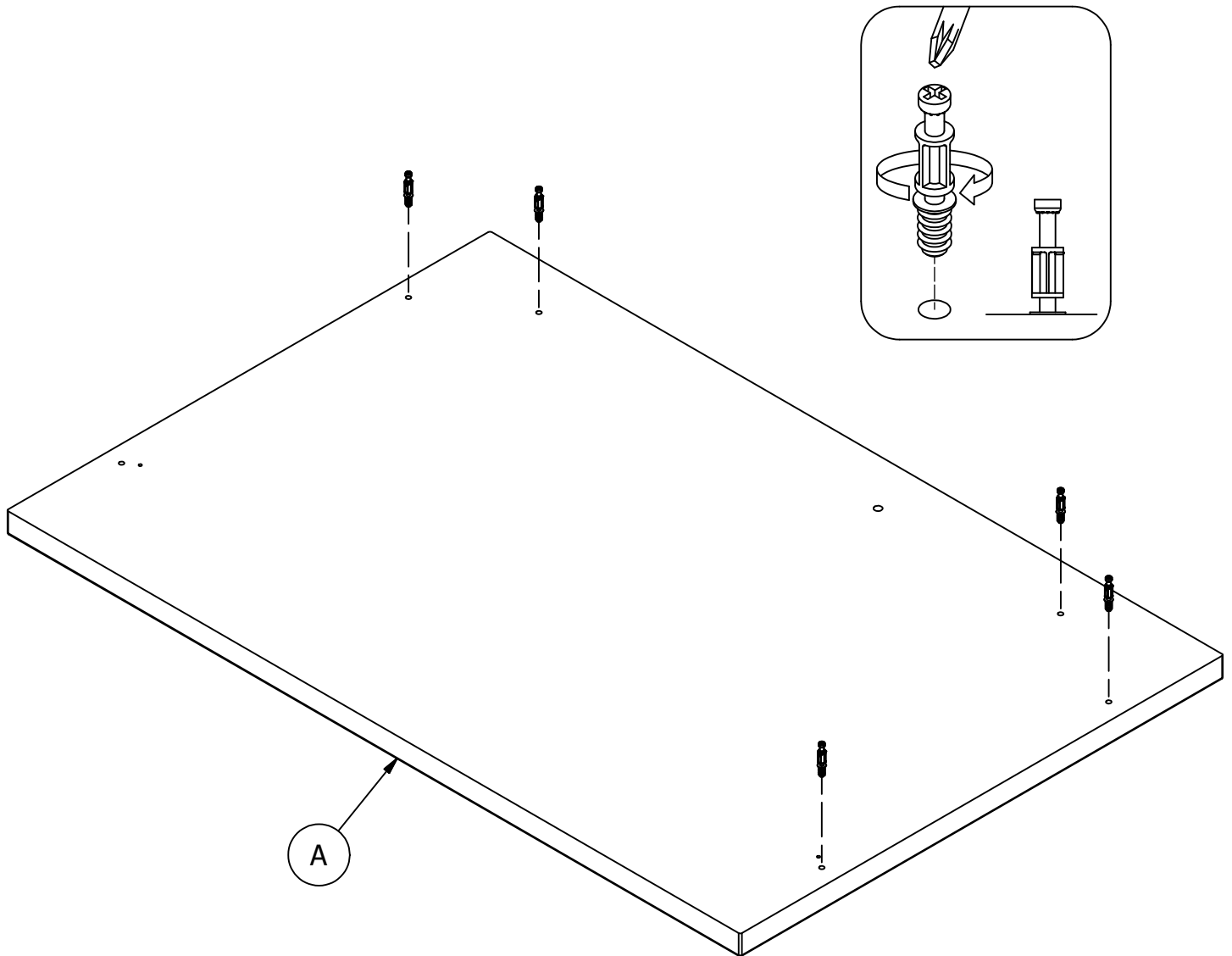
Have an assembly question or need a replacement part? Just call **1-800-950-4782**, we are here to help.

STEP 13

Prepare Panel

A177118F

H72988 [5]
KD Bolt



Have an assembly question or need a replacement part? Just call
1-800-950-4782, we are here to help.

STEP 14

Assemble Panels

A177118F

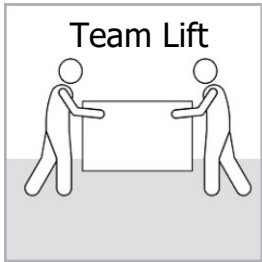
Scan QR Code to Watch Video on:

H181468US

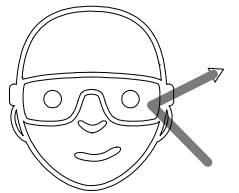
[5]



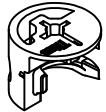
How to Tighten KD Cams



Team Lift



Safety glasses
Gafas de seguridad
Lunettes de protection



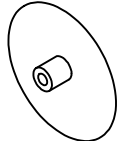
KD Cam3000

H38169



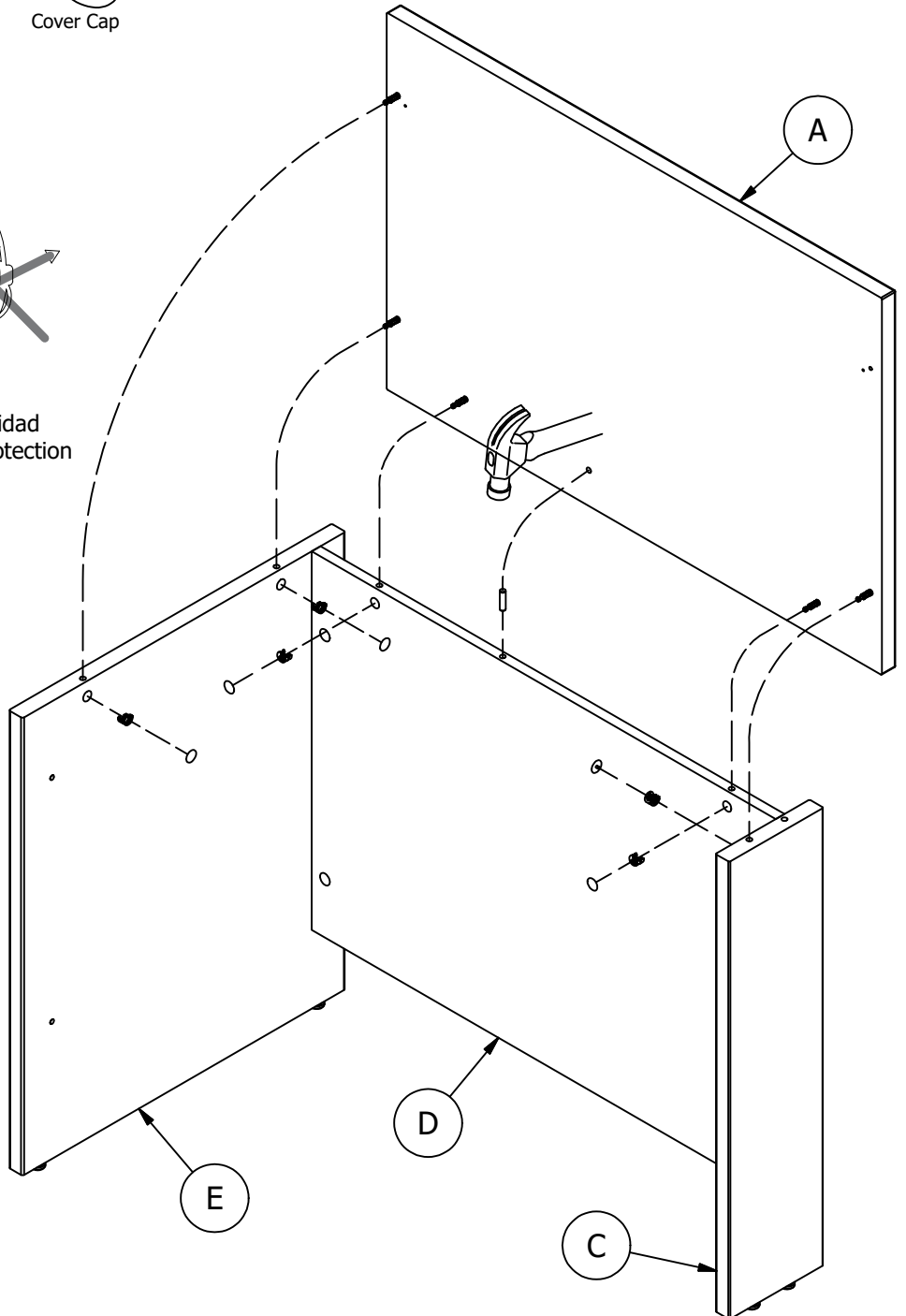
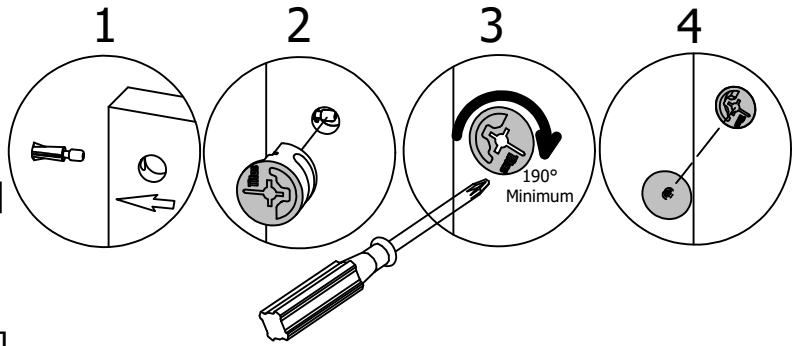
Wood Dowel 8 x 30

[1]

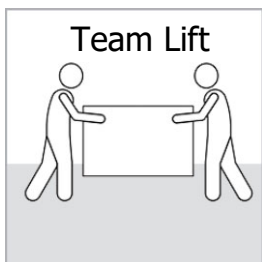


Cover Cap

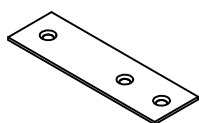
[5]



Have an assembly question or need a replacement part? Just call **1-800-950-4782**, we are here to help.



H92809



Strap

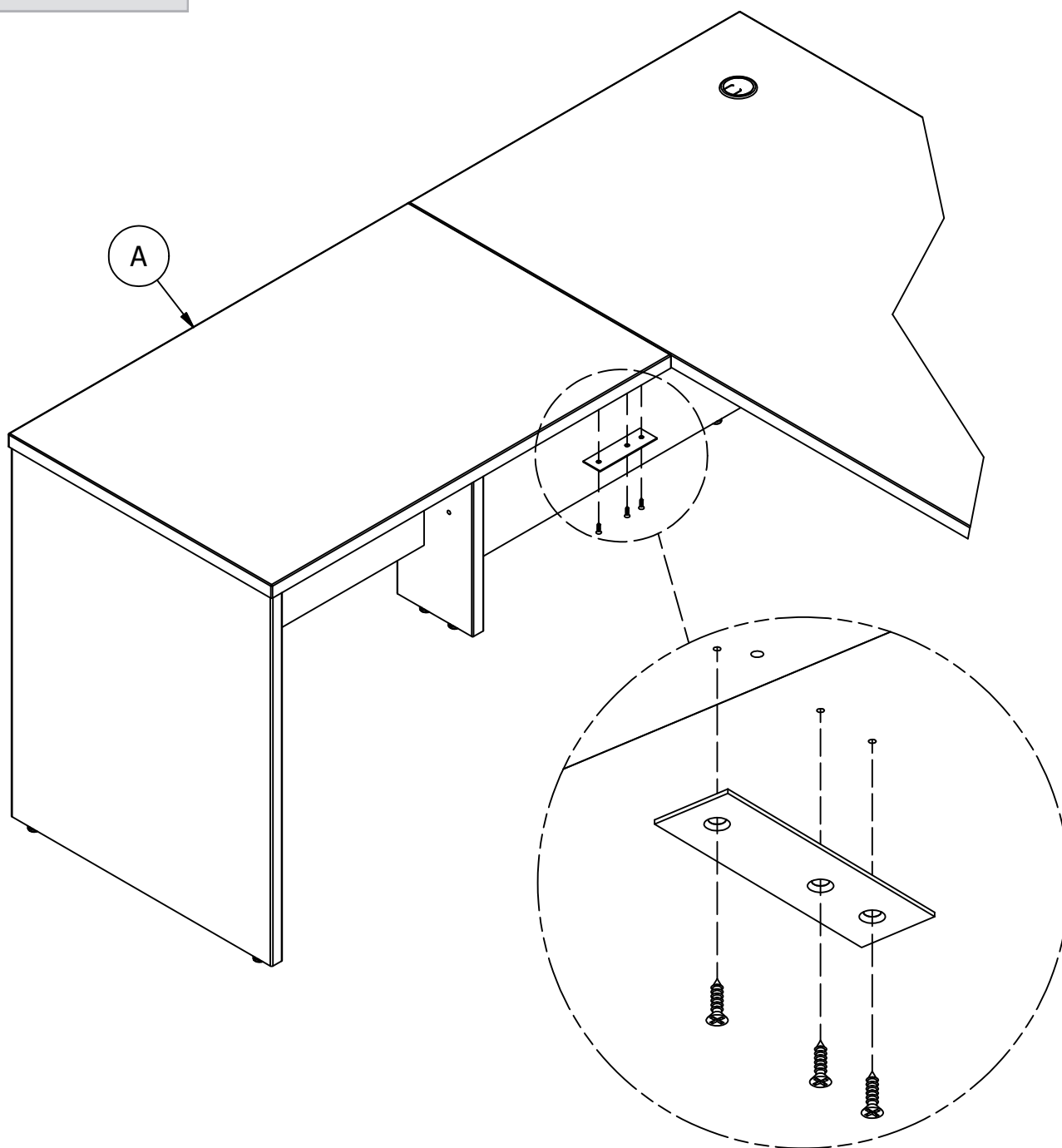
[1]

H92810



#10 x 3/4"

[3]



Have an assembly question or need a replacement part? Just call **1-800-950-4782**, we are here to help.

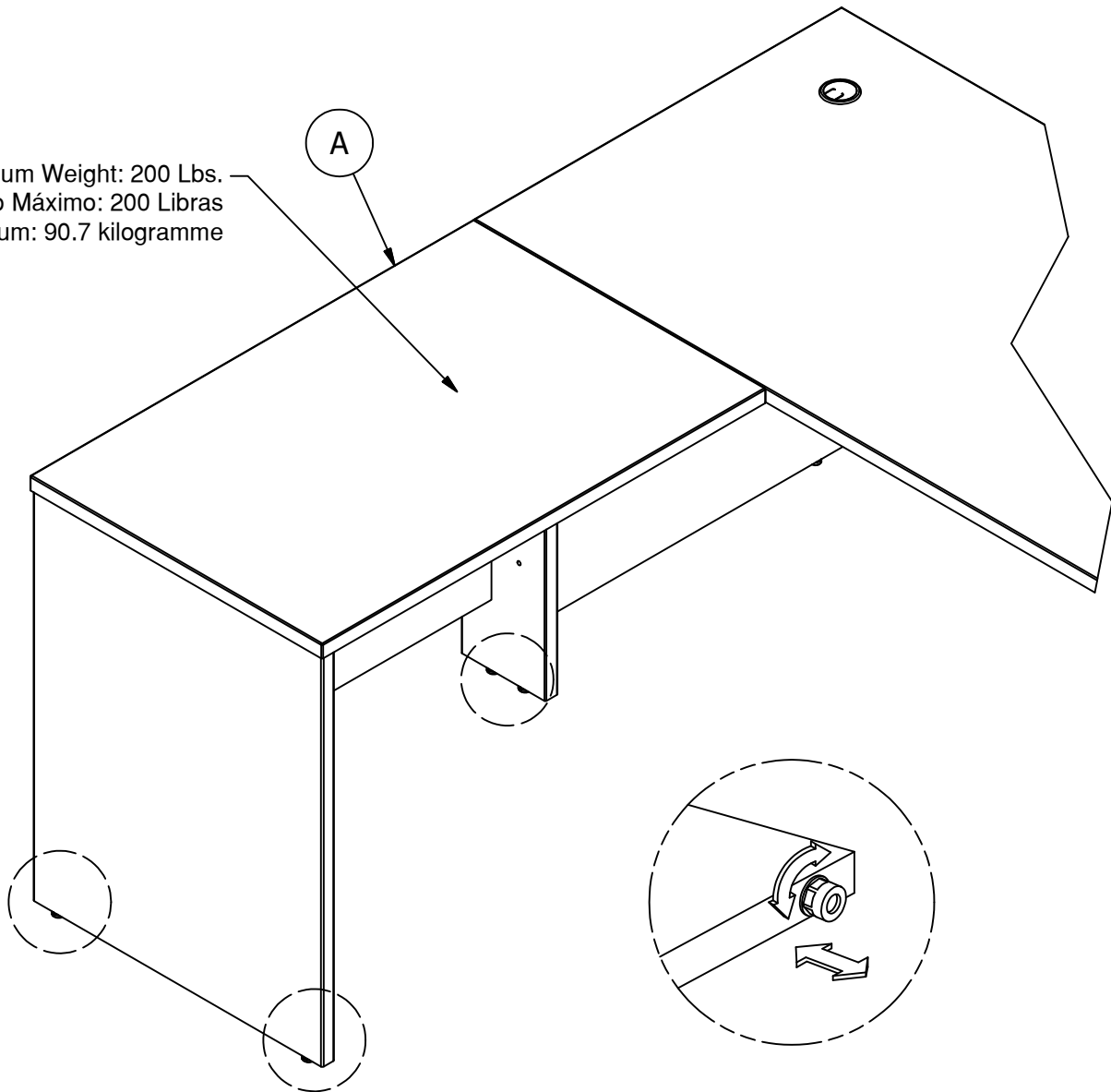
Scan QR Code to Watch Video on:



How to Clean the Surface

Gently clean surfaces with a damp sponge eraser.

Maximum Weight: 200 Lbs.
Peso Máximo: 200 Libras
Poids Maximum: 90.7 kilogramme



Congratulations! You are all done. If you have any questions or concerns, please call.

Have an assembly question or need a replacement part? Just call **1-800-950-4782**, we are here to help.

STEP 17

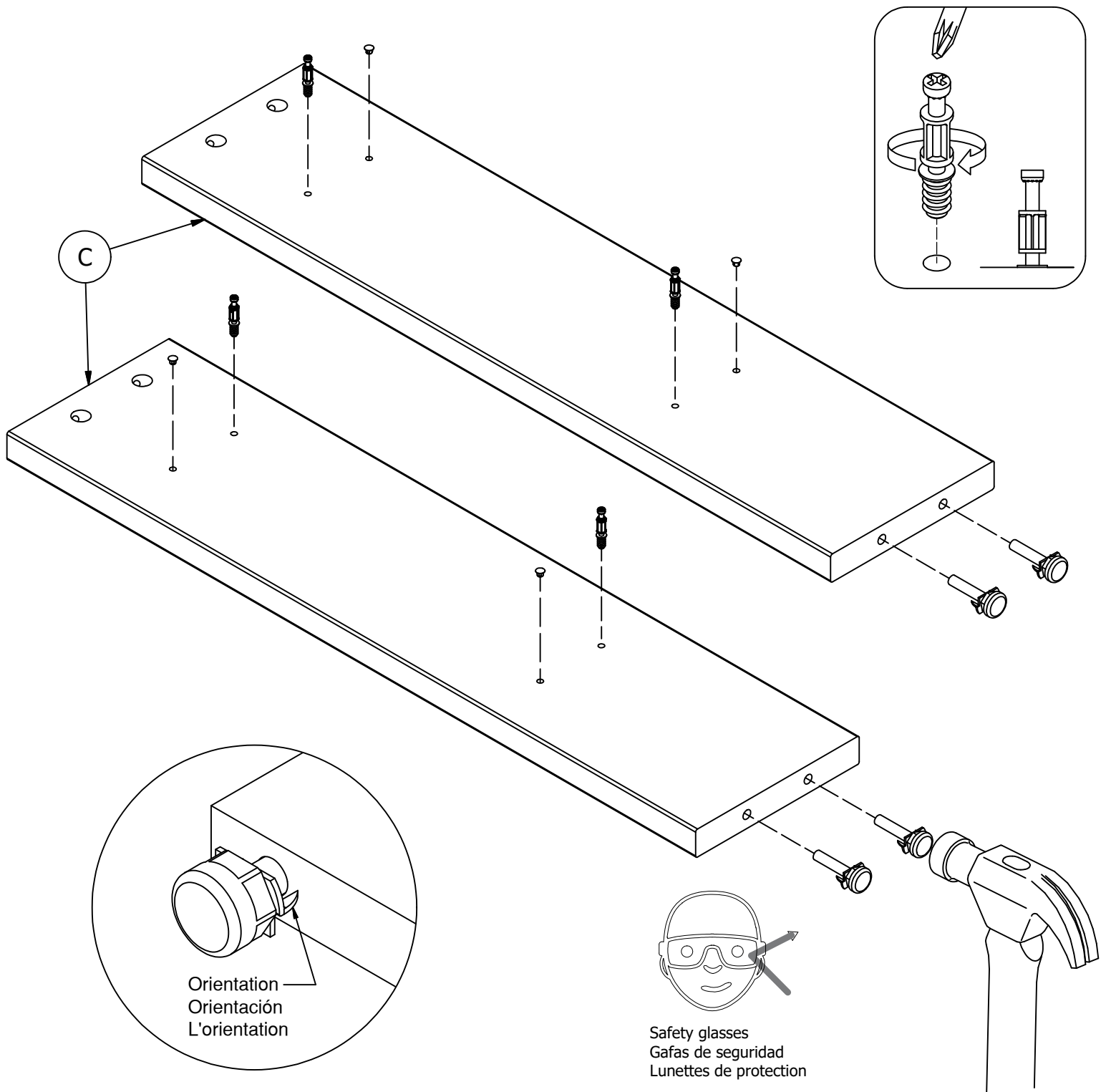
Prepare Panels

A177118F

H72988 [4]
KD Bolt

[4]
5mm Hole Plug

H209601 [4]
Leveler



Orientation
Orientación
L'orientation

Safety glasses
Gafas de seguridad
Lunettes de protection

Have an assembly question or need a replacement part? Just call **1-800-950-4782**, we are here to help.

STEP 18

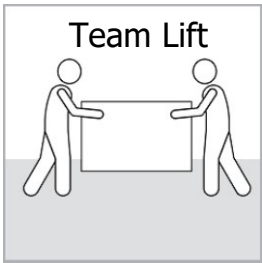
Assemble Panels

A177118F

Scan QR Code to Watch Video on:



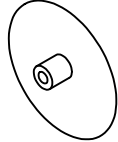
How to Tighten KD Cams



H181468US

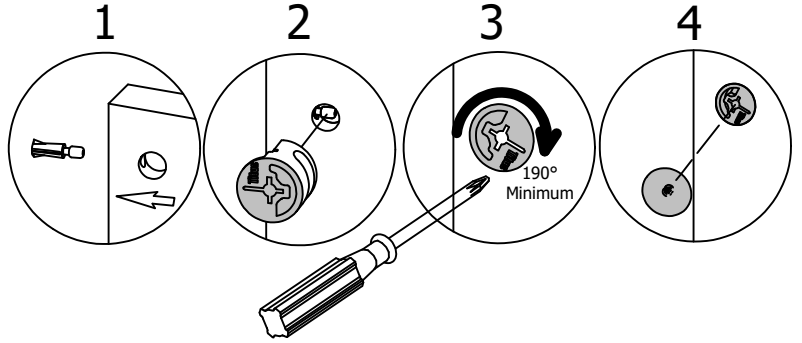


KD Cam3000

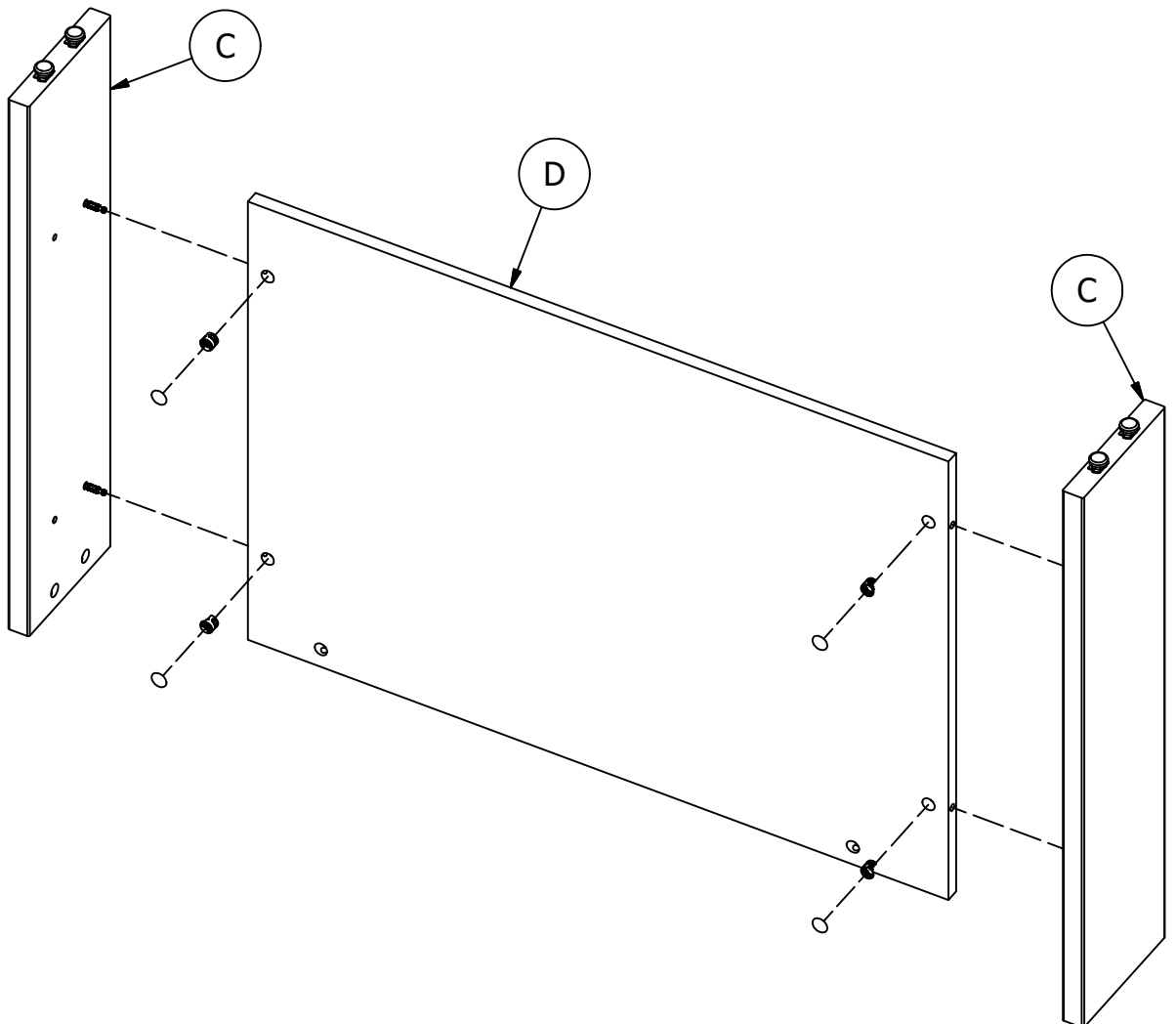


Cover Cap

[4]

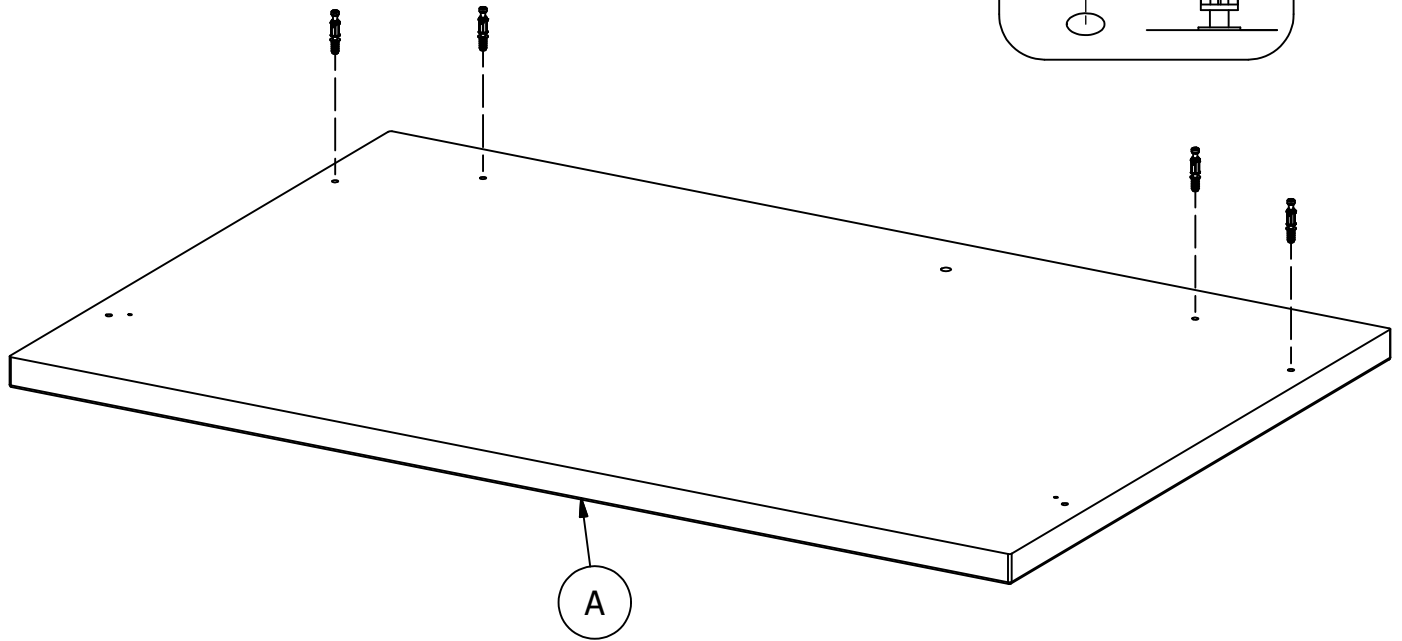
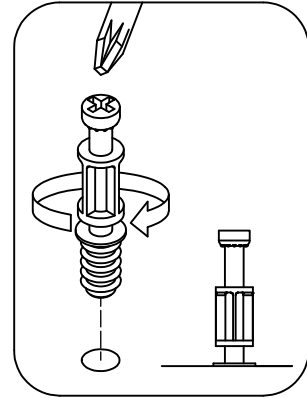


[4]



Have an assembly question or need a replacement part? Just call **1-800-950-4782**, we are here to help.

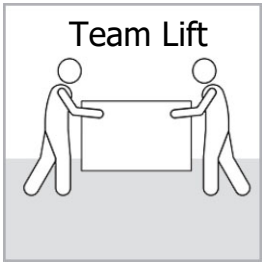
H72988 [4]
KD Bolt



Scan QR Code to Watch Video on:



How to Tighten KD Cams

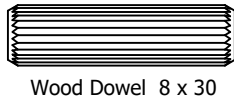


H181468US

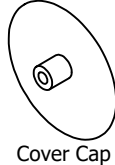


[4]

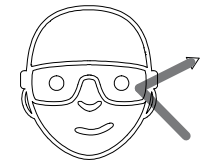
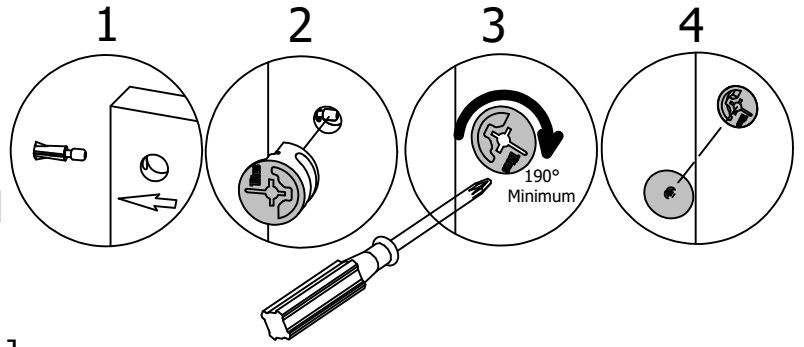
H38169



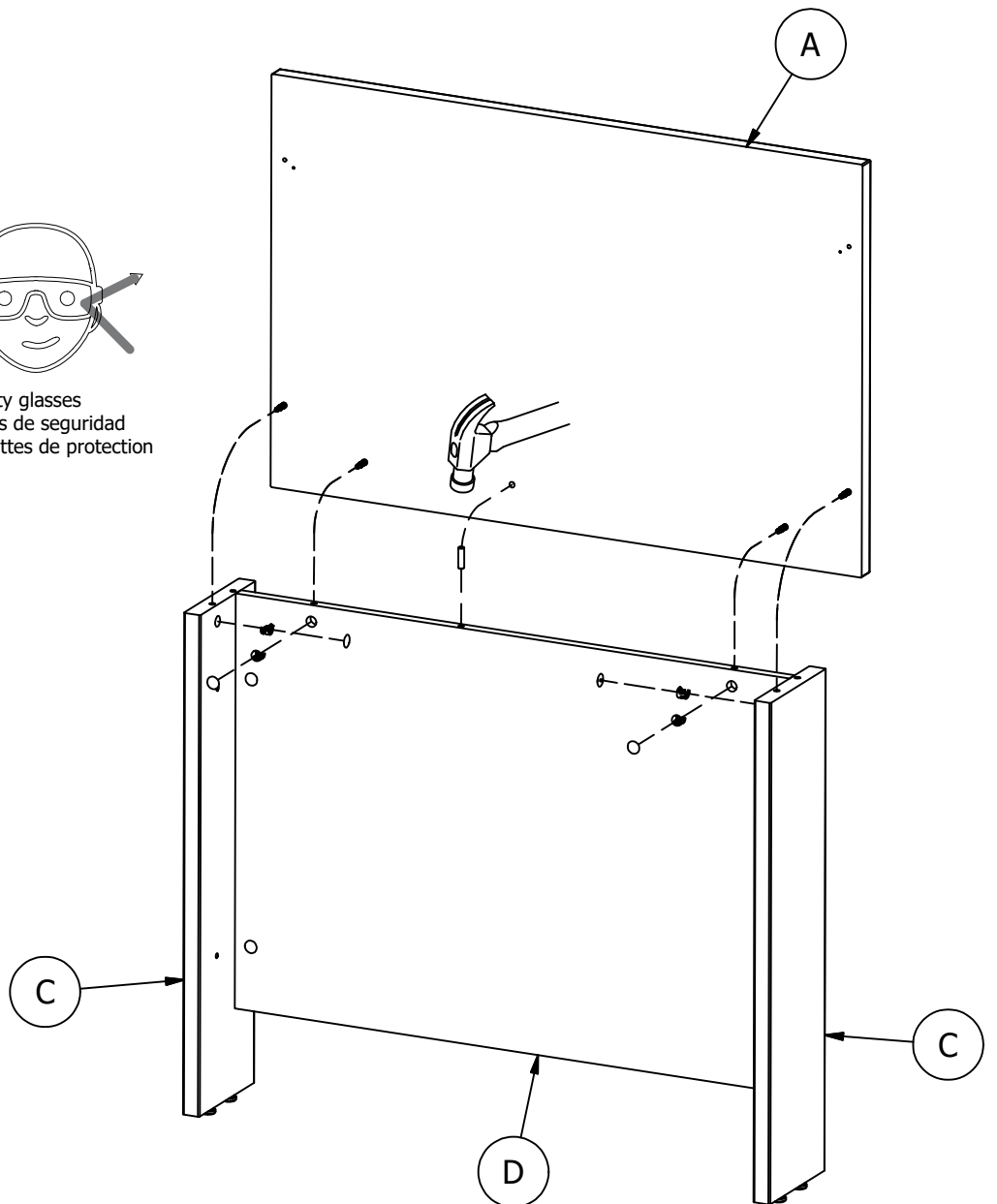
[1]



[4]



Safety glasses
Gafas de seguridad
Lunettes de protection

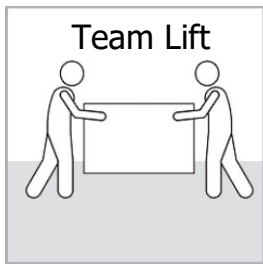


Have an assembly question or need a replacement part? Just call **1-800-950-4782**, we are here to help.

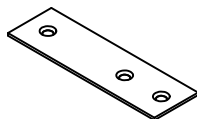
STEP 21

Attach Hardware

A177118F



H92809



Strap

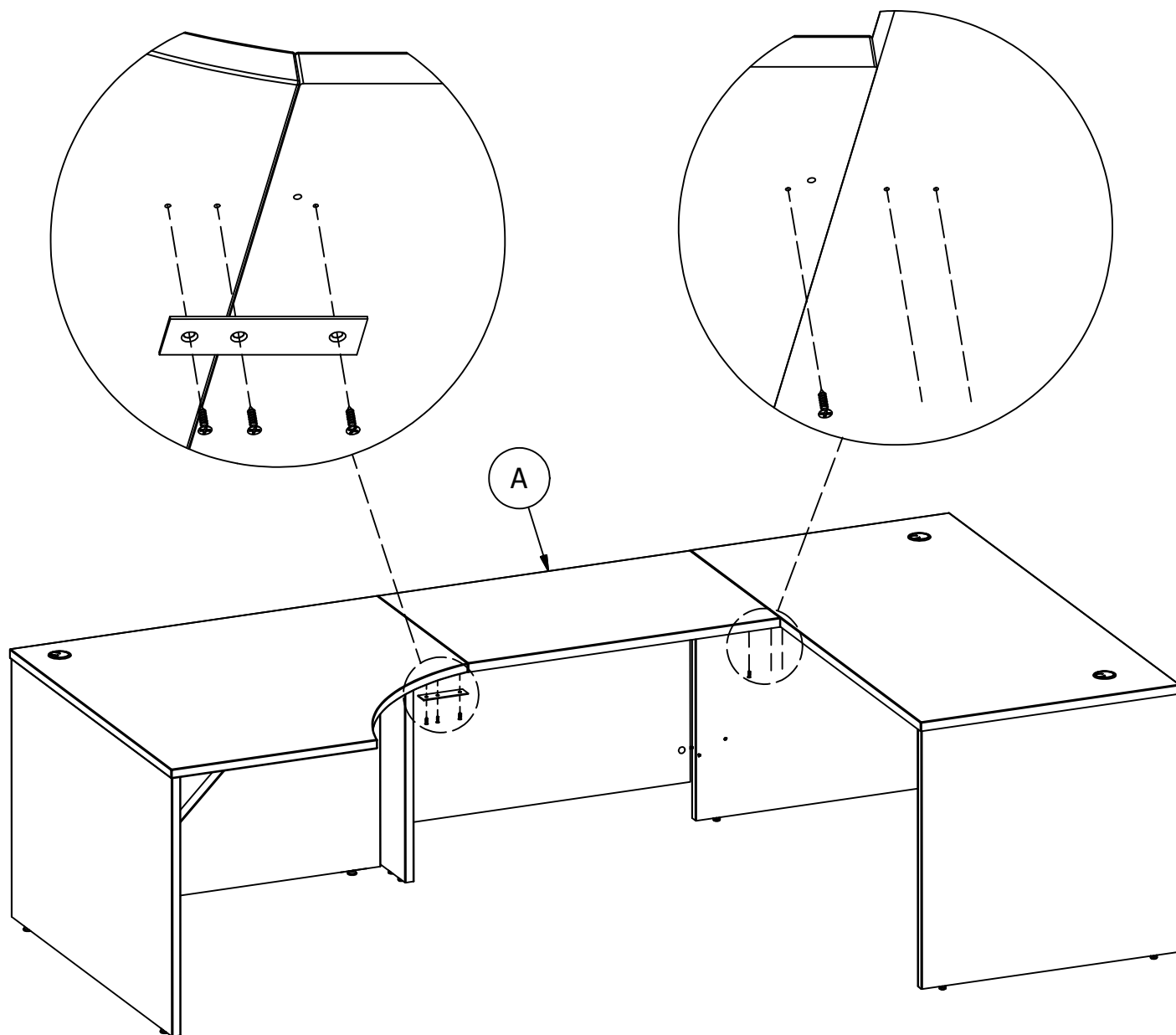
[2]

H92810



#10 x 3/4"

[6]



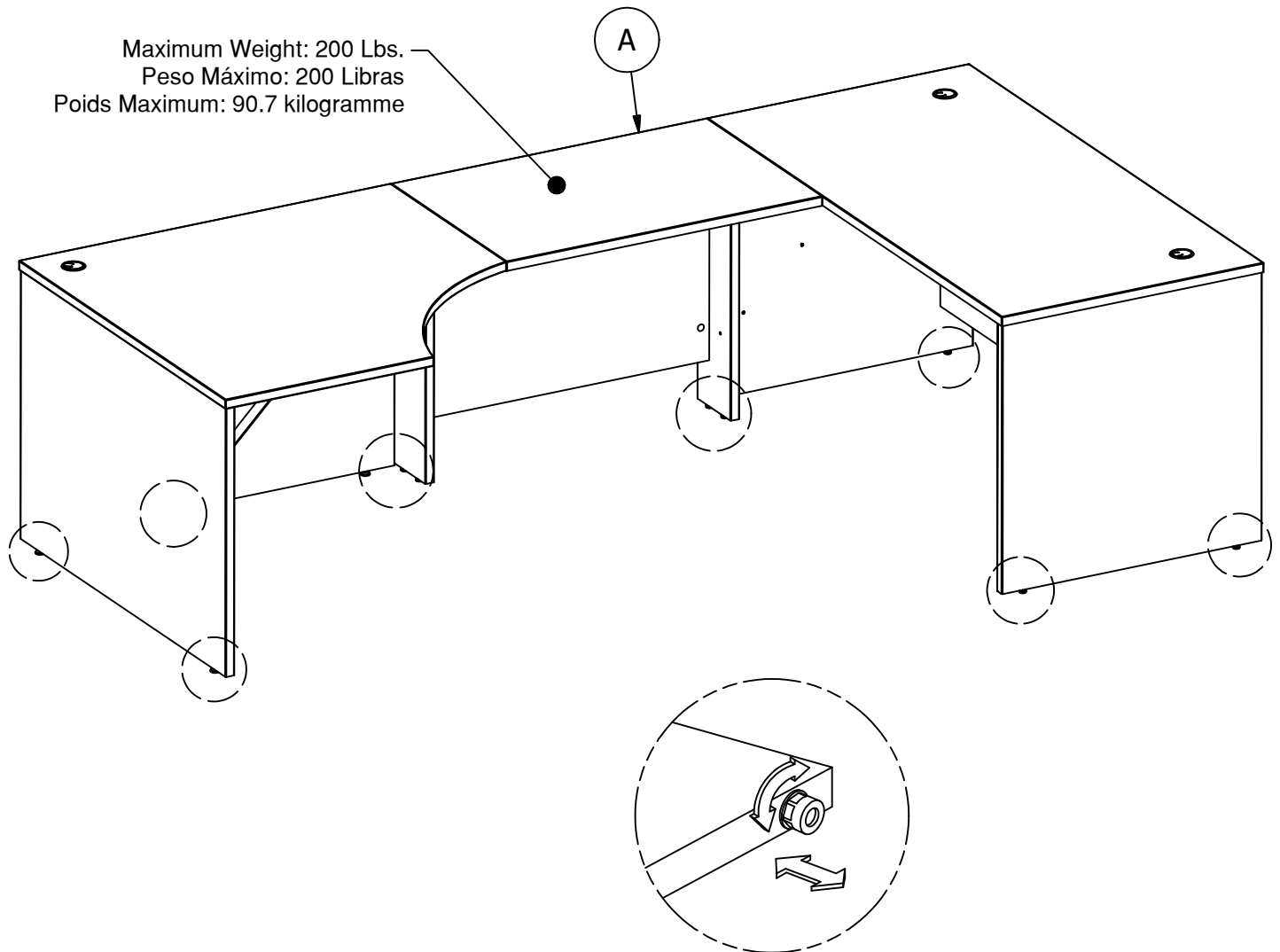
Have an assembly question or need a replacement part? Just call
1-800-950-4782, we are here to help.

Scan QR Code to
Watch Video on:



How to Clean
the Surface

Gently clean surfaces with
a damp sponge eraser.

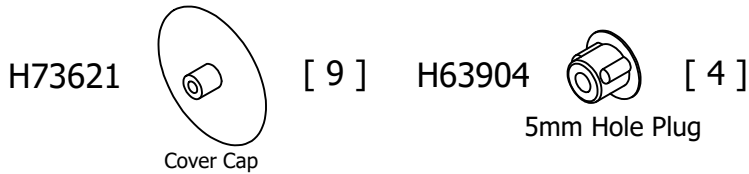


Congratulations! You are all done. If you
have any questions or concerns, please call.

Have an assembly question or need a replacement part? Just call
1-800-950-4782, we are here to help.

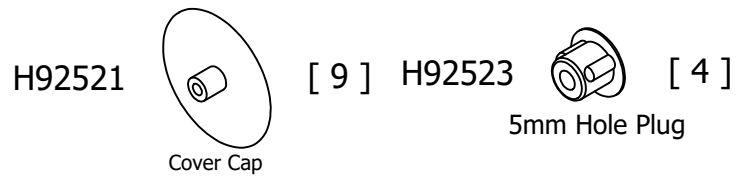
WC12918

A	[1]	W206477
C	[2]	W186421
D	[1]	W177120
E	[1]	W206269



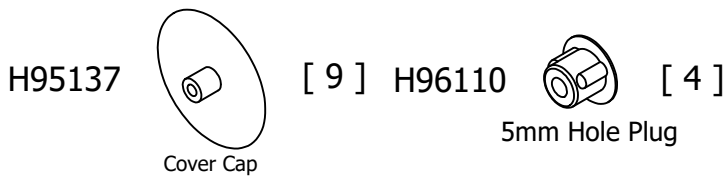
WC24418

A	[1]	W206478
C	[2]	W186424
D	[1]	W177122
E	[1]	W206264



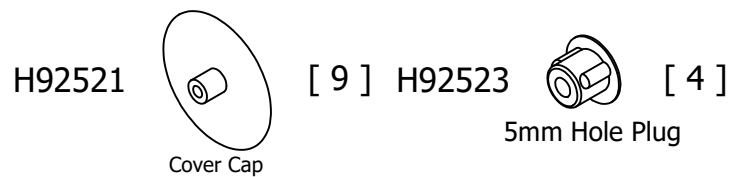
WC24518

A	[1]	W206478
C	[2]	W186422
D	[1]	W176098
E	[1]	W206263



SCR136SG

A	[1]	W214703
C	[2]	W189353
D	[1]	W214705
E	[1]	W206266



SCR136WH

A	[1]	W214707
C	[2]	W191879
D	[1]	W214709
E	[1]	W206268

