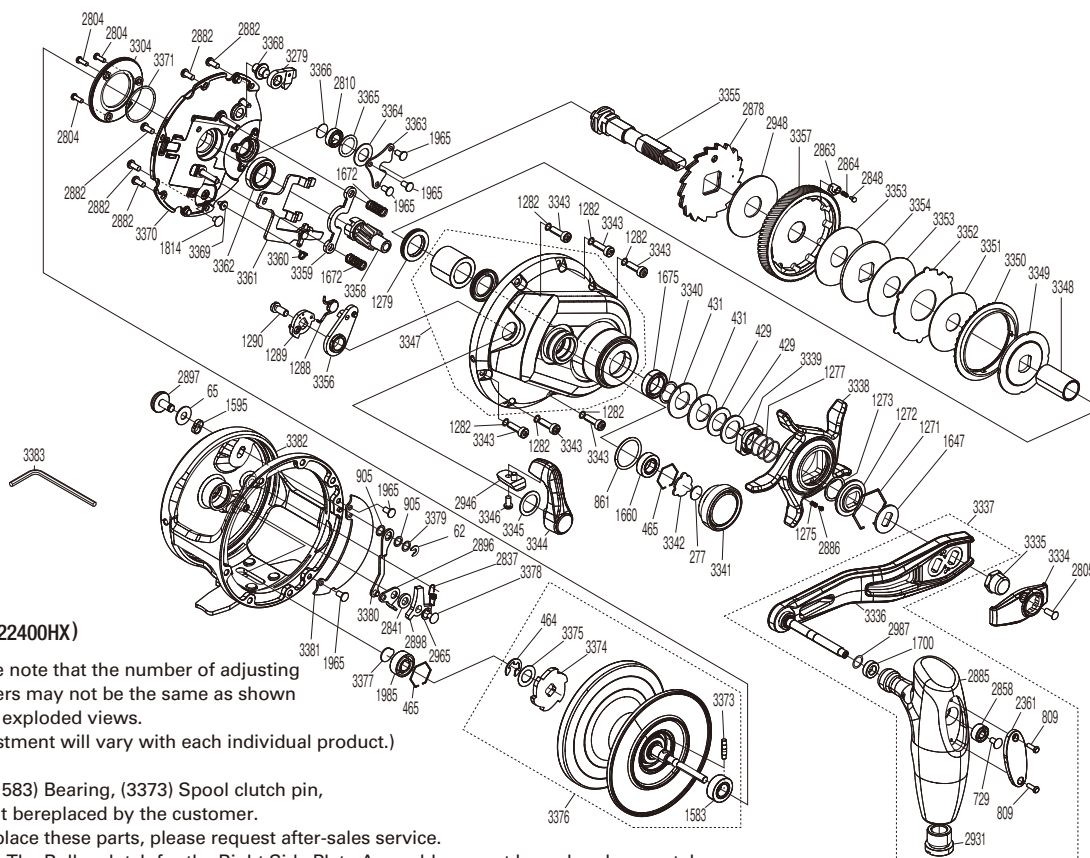


SHIMANO

OCEA JIGGER

SA-RB

JG-4000HG



(51RL22400HX)

Please note that the number of adjusting washers may not be the same as shown in the exploded views.
(Adjustment will vary with each individual product.)

The (1583) Bearing, (3373) Spool clutch pin, cannot be replaced by the customer.
To replace these parts, please request after-sales service.
(3347) The Roller clutch for the Right Side Plate Assembly cannot be ordered separately.

Part No.	Description	Part No.	Description	Part No.	Description
TGT0062	E Lock	TGT2837	Anti-Reverse Pawl Spring	TGT3349	Key Washer
TGT0065	Spacer	TGT2841	F-Bushing	TGT3350	Drag Click Ratchet
TGT0277	Cast Control Spacer	TGT2848	Drag Click	TGT3351	Drag Washer
TGT0429	Star Drag Spacer	TGT2858	Ball Bearing	TGT3352	Eared Washer
TGT0431	Coned Disc Spring (10H)	TGT2863	Drag Click Pin Holder	TGT3353	Drag Washer
TGT0464	E Lock	TGT2864	Click Spring	TGT3354	Drag Washer
TGT0465	Bearing Retainer	TGT2878	Anti-Reverse Ratchet Assembly	TGT3355	Drive Shaft
TGT0729	Screw	TGT2882	Screw	TGT3356	Eccentric Cam Bushing
TGT0809	Screw	TGT2885	Handle Knob	TGT3357	Drive Gear
TGT0861	O Ring	TGT2886	Click Pin	TGT3358	Pinion Gear
TGT0905	Spacer	TGT2896	F-Anti-Reverse Switch	TGT3359	Yoke
TGT1271	Click Plate Retainer	TGT2897	F-Anti-Reverse Knob	TGT3360	Clutch Pawl Spring
TGT1272	Star Drag Click Plate	TGT2898	F-Baitrunner Pawl	TGT3361	Clutch Plate Assembly
TGT1273	Washer	TGT2931	Handle Knob Seal	TGT3362	Bushing
TGT1275	Click Spring	TGT2946	Clutch Lever Protector	TGT3363	Drive Shaft Retainer
TGT1277	Star Drag Spring	TGT2948	Drag Washer	TGT3364	Drive Shaft Water Proof Plate
TGT1279	Roller Clutch Water Proof	TGT2965	Washer	TGT3365	O Ring
TGT1282	Washer	TGT2987	Washer	TGT3366	Washer
TGT1288	Clutch Spring	TGT3279	Anti-Reverse Pawl Assembly	TGT3368	Anti-Reverse Pawl Pin
TGT1289	Clutch Cam Assembly	TGT3304	Drainage Plate	TGT3369	Clutch Pawl Spring Collar
TGT1290	Screw	TGT3334	Handle Nut Plate	TGT3370	Set Plate
TGT1583	Ball Bearing	TGT3335	Handle Nut	TGT3371	O Ring
TGT1595	Click Switch Cam	TGT3336	Handle Shank Assembly	TGT3373	Spool Clutch Pin
TGT1647	Drive Shaft Shield	TGT3337	Handle Assembly	TGT3374	F-Baitrunner Ratchet
TGT1660	Ball Bearing	TGT3338	Star Drag	TGT3375	Washer
TGT1672	Yoke Spring	TGT3339	Star Drag Nut	TGT3376	Spool Assembly(With Bearing)
TGT1675	Ball Bearing	TGT3340	Washer	TGT3377	Spacer B
TGT1700	Handle Knob Bushing	TGT3341	Cast Control Cap	TGT3378	Screw
TGT1814	Screw	TGT3342	Cast Control Spacer	TGT3379	Washer
TGT1965	Screw	TGT3343	Screw	TGT3380	F-Anti-Reverse Link Assembly
TGT1985	Ball Bearing	TGT3344	Clutch Lever Unit	TGT3381	Set Plate Sticker
TGT2361	Handle Knob Id Plate	TGT3345	Washer	TGT3382	Frame Assembly
TGT2804	Screw	TGT3346	Screw		
TGT2805	Screw	TGT3347	Right Side Plate Assembly	TGT3343	Screw (accessory)
TGT2810	Ball Bearing	TGT3348	Roller Clutch Inner Tube	TGT3383	Wrench (accessory)