

ASSEMBLY INSTRUCTIONS

MODEL#31802-118

NOTE: Only the technical personnel can be allow to fix and maintain.

IMPORTANT

Make sure that the power is switch off at the electricity mains supply before commencing work.

FIXING INSTRUCTIONS

1. Feed the two support screw (3) through the slots on the mounting bracket (2).Tighten the support screw (3) into the outlet box (1) until the mounting bracket (3) is flushed with the outlet box (1).
2. Make the wiring connections connected the black to black (power)(7);connect the white to white (neutral)(5);connect the copper wire to ground wire (6) using wire nuts (4).
3. Locate the fixture panel (8) over the outlet box (1) and secure it by tighten the decorative nut (9) to the mounting bracket (2) until the fixture panel (8) is flushed with the outlet box (1).
4. Insert the glass shade (11) into the fixture panel (8),then secure the glass shade (11) by tighten the screws (12) to the bracket on the fixture panel (8).
5. Now you are ready to install the light bulb (10) to the lampholder.(Please do not exceed the maximum capacity recommended on the lampholder.Bulbs not included.)

REPLACEMENT BULB

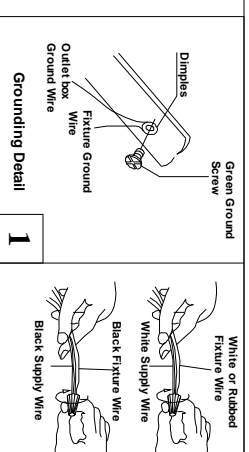
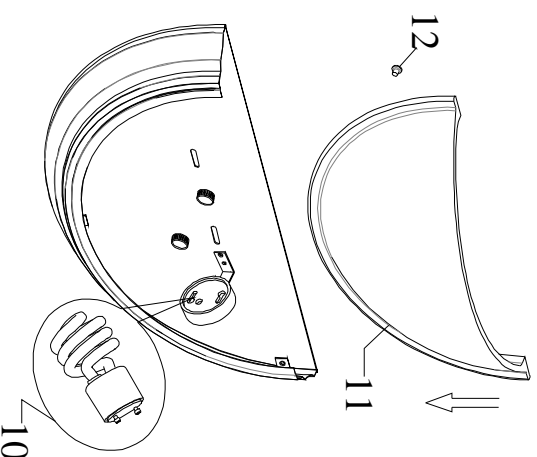
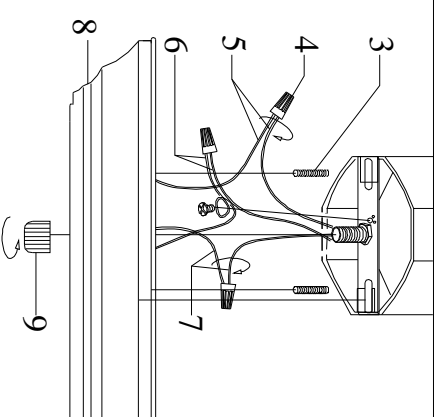
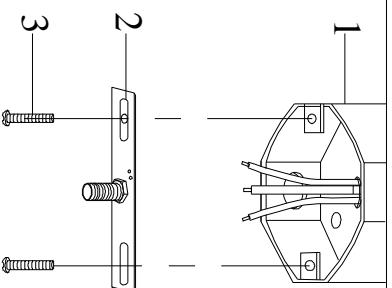
Do not exceed the maximum wattage.
Light bulbs recommended: GU24 18W Max.

CLEANING CARE

Clean with a soft dry cloth.

SAFETY INFORMATION

1. Lamp used must in rated voltage,and do not touch the bulb with bare hands.Always switch off the electricity supply and allow to cool for 10 minutes before changing the light bulbs.
2. If the external cables have been damaged,Pls change or repair by manufacturer or service agency or professional electrician,In order to avoid the danger.



1. Outlet box
2. Mounting bracket
3. 2-Support screw
4. 3-Wire nuts
5. White wire (Neutral)
6. Ground wire
7. Black wire (power)
8. Fixture panel
9. Decorative nut
10. Bulb
11. Glass shade
12. Screw