

Job Name _____

Contractor _____

Job Location _____

Approval _____

Engineer _____

Contractor's P.O. No. _____

Approval _____

Representative _____

LEAD FREE*



AquaLock™ Brass End Caps

Lead Free* Brass push-to-connect End Caps

Sizes: 1/2" - 1"

Watts AquaLock push-to-connect brass fittings are designed and manufactured for many years of trouble free service. Brass fittings are manufactured from Lead Free* brass and incorporate the proven Watts AquaLock patented (7,354,079 B2) O-ring and Collet design which allows for quick and easy connections without the use of installation or disconnection tools. The Lead Free* Brass push to connect End Stops features Lead Free* construction to comply with Lead Free* installation requirements.

Specifications

Connection shall be made using Watts Brass AquaLock fittings with Integral Collet and O-ring guide. Fitting shall be able to fully rotate under pressure and allow for easy disconnect and reuse without tools. Lead Free* brass end stops shall comply with state codes and standards, where applicable, requiring reduced lead content.

Approvals

ASSE 1061-2006, NSF/ANSI 14,
NSF/ANSI 61, CSA B137.5, ASTM F877



Ratings

250psi @ 200°F (13.8 bar @ 93°C)

NOTICE

For compliance to ASSE 1061 a pipe insert (provided) must be used with each connection when joining PEX pipe.

A push ring clip is provided for each CTS connection and is intended to prevent accidental disconnection of fitting during pull-through installations while the system is unpressurized. To disconnect the fitting, manually remove the push ring clip and depress the push ring.

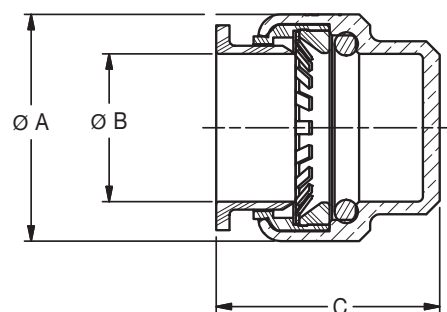
Watts product specifications in U.S. customary units and metric are approximate and are provided for reference only. For precise measurements, please contact Watts Technical Service. Watts reserves the right to change or modify product design, construction, specifications, or materials without prior notice and without incurring any obligation to make such changes and modifications on Watts products previously or subsequently sold.

USA: T: (978) 689-6066 • F: (978) 975-8350 • Watts.com
Canada: T: (905) 332-4090 • F: (905) 332-7068 • Watts.ca
Latin America: T: (52) 55-4122-0138 • Watts.com

ES-AQ-LF47EndStops 1942



LF4745



Dimensions – Weights –

Weight and Dimensions are approximate (tolerance +/- 1/8)

End Caps

MODEL	ORDERING CODE	SIZE & CONNECTION	DIMENSIONS				ITEM WEIGHT			
			A in.	A mm	B in.	B mm	C in.	C mm	lbs.	kgs.
LF4745-10	0472044	1/2" CTS	1	27.1	1/2	16.1	1	27.6	0.06	0.027
LF4745-14	0472045	3/4" CTS	1 1/8	34.3	3/4	22.4	1 1/8	31.1	0.06	0.029
LF4745-18	0472046	1" CTS	1 1/2	42.3	1	29	1 1/2	37.5	0.08	0.036

NOTICE

The information contained herein is not intended to replace the full product installation and safety information available or the experience of a trained product installer. You are required to thoroughly read all installation instructions and product safety information before beginning the installation of this product.

*The wetted surface of this product contacted by consumable water contains less than 0.25% of lead by weight.

