

VP6032CTSMIN

60 x 32 x 79



PROFESSIONAL

FEATURES

- Modern, matte finish
- Smooth, 4-piece kit
- Easy Wedge & Lock installation
- Caulkless installation
- Integral soap shelves
- Available in White only
- 15 Year residential limited warranty

COMPONENTS OF KIT

Standard

- VP6032CTMINL (Tub) or VP6032CTMINR (Tub)
- VP6062CBW (Back Wall)
- VP2562CSW (Side Walls)

Aging In Place (AIP)

- VP6032CTMINL (Tub) or VP6032CTMINR (Tub)
- VP6062CBWA (Back Wall)
- VP2562CSWA (Side Walls)

PACKAGED DIMENSIONS

- Tub: 63 x 36 1/2 x 21
- Back Wall: 65 x 61 1/2 x 8 1/2
- Side Wall Set: 64 1/4 x 28 1/2 x 5

VERITEK PRO

Lightweight and durable, Veritek Pro is produced with Swan Solid Surface, a proprietary SMC compound.

Veritek Pro is the better bathroom solution and is a snap to install!

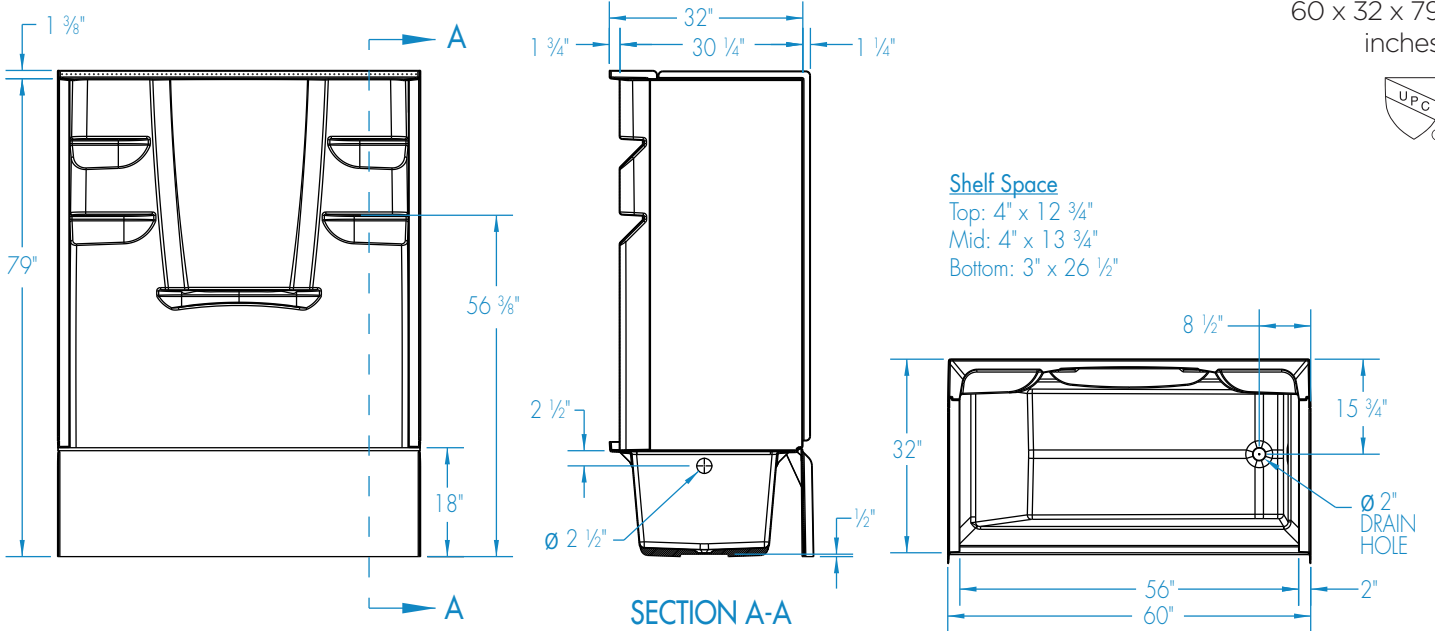
Available in the Following Offerings:

Depth	Width	Height Standard	Height AFR	Model Number			
				Standard	AIP	AFR	AIP & AFR
32	60	79	82	VP6032CTSMINL/R	VP6032CTSMINAL/R	VP6032CTSMML/R	VP6032CTSMMAL/R

- **Standard:** Base model shower, tub, or tub shower offering
- **Aging In Place (AIP):** Reinforced shower or tub shower walls that allows for future grab bar installation
- **Above Floor Rough (AFR):** Clearance for drain placement, eliminating the need for drain relocation
- **Aging In Place (AIP) & Above Floor Rough (AFR):** A combination kit for AFR & AIP



VP6032CTSMIN

 60 x 32 x 79
inches


FEATURES Dimensional Tolerance $\pm 3/8"$. Dimensions needed for site preparation should be measured from the unit. Manufacturer assumes no responsibility for preparatory work.

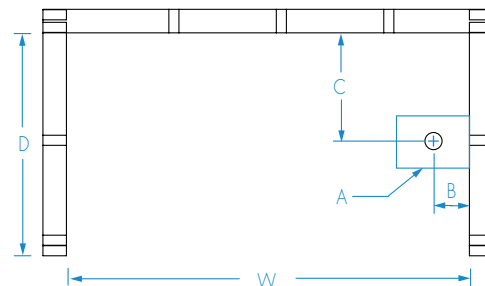
Type	Model #	Material	Height	Drain	Net Wt. lbs	Pkg. Wt. lbs
Standard Tub-Shower	VP6032CTSMINL/R	Swan Solid Surface	79	LH or RH	135	153
AIP Tub-Shower	VP6032CTSMINAL/R	Swan Solid Surface	79	LH or RH	165	183

DIMENSIONS

Specifications	inches
Width: Overall / Net	60
Depth: Overall / Net	33 1/2 / 32
Height: Overall / Net	80 3/8 / 79
Enclosure Opening	56
Skirt Height	18
Drain Rough-In (from Back Wall)	15 3/4
Drain Rough-In (from Side Wall)	2 3/4
Drain: Diameter / Clearance	2 / 1/2

FRAMING DIMENSIONS inches

Type	D Depth	W Width	H Height	A	B	C
Alcove	33 1/2	60	80 3/8	Box Out	2 3/4	15 3/4



SUMP DATA

Top of Drain to Bottom of Overflow	Capacity to Overflow gal	WIDTH @ centerline		DEPTH @ centerline	
		Top	Bottom	Top	Bottom
12 5/8	52 3/10	51 5/8	42 1/8	23 7/8	21 3/8

