

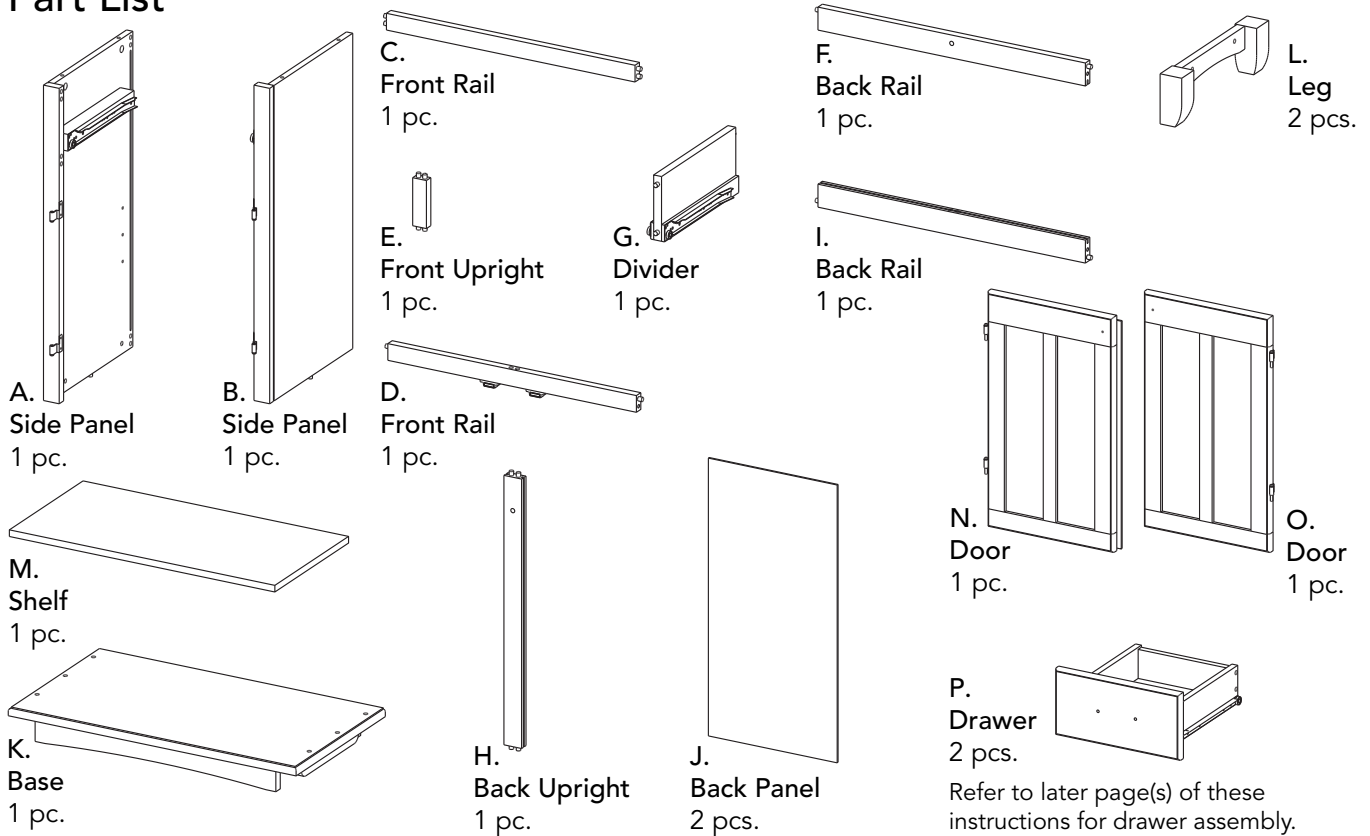
IMPORTANT

Carefully remove all the parts from the carton and place them individually on a soft cloth to prevent scratches or other damage.

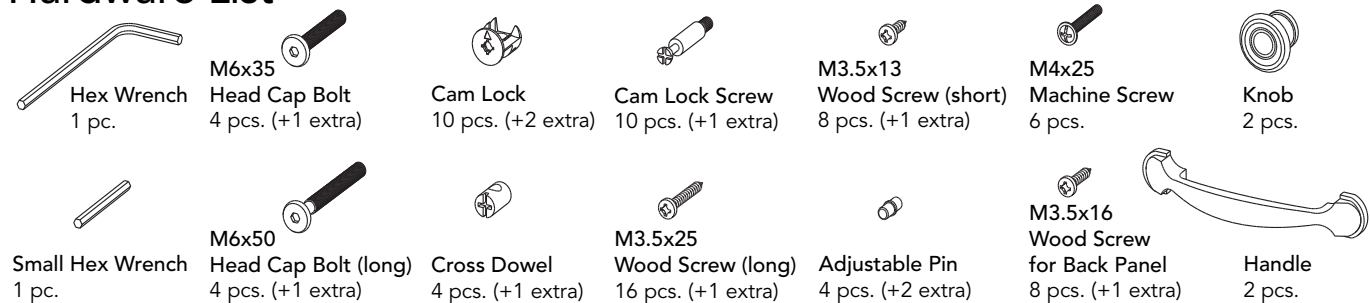
Carefully and strictly follow these assembly instructions to ensure a completed product as designed.

Do not use power tools above 8 volts to assemble.

Part List



Hardware List



5001 Top carton is also needed for assembly.

Tool(s) required for assembly: Phillips screwdriver, Level, Drill (8 volts or less), 3/8" Drill Bit

Assembly Instructions 2/8

IMPORTANT

- Use a soft cloth between these parts and the floor.
- Do not use power tools above 8 volts to assemble.
- Do not tighten all the bolts until each part is properly assembled.
- The unit must be level to work properly. Use the included adjustable levelers to level.
- Keep Hex Wrench as the bolts may need to be tightened in the future.

STEP 1

Insert Cam Lock Screws into pre-drilled holes in Side Panels (A) and (B), then tighten. (See Figure 1)

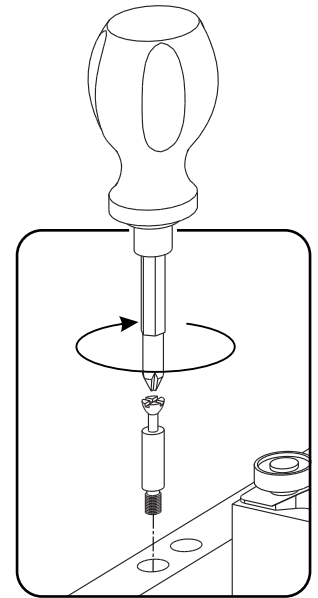
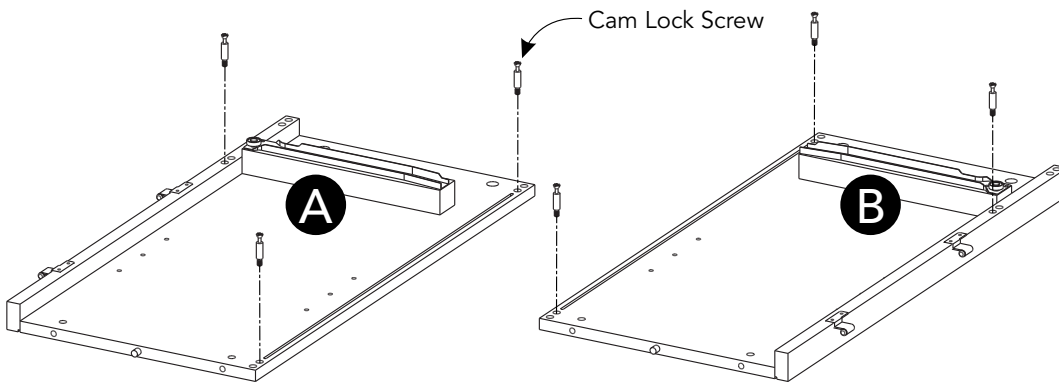


Figure 1

STEP 2

Attach Back Rail (F) to Side Panel (A) with Cam Lock. (See Figure 2)

Attach Back Upright (H) to Back Rail (F).

Slide Back Panels (J) into position.

Attach Back Rail (I) to unit with Cam Lock.

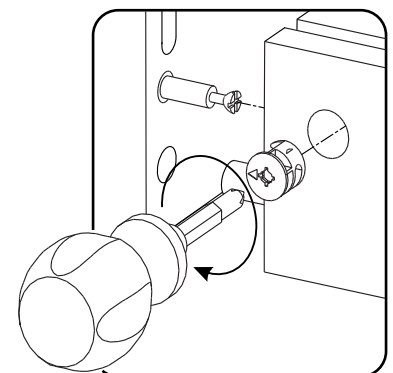
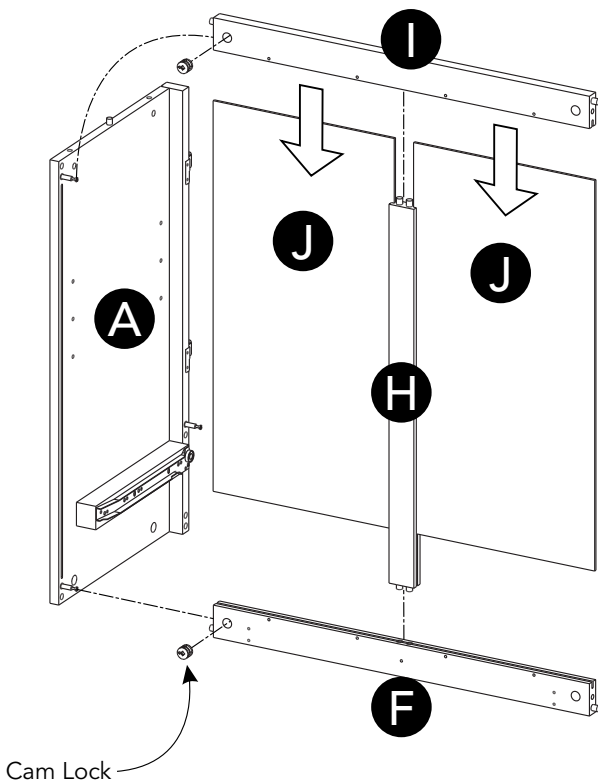
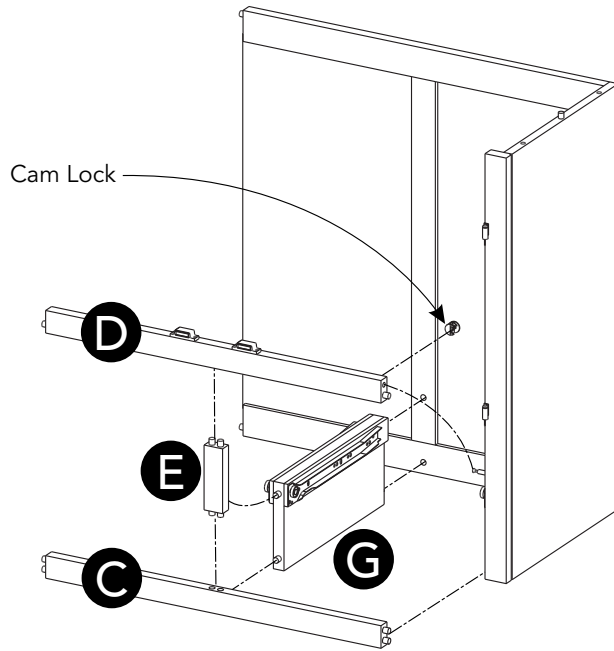


Figure 2

Assembly Instructions 3/8



STEP 3

Attach Divider (G) to unit.

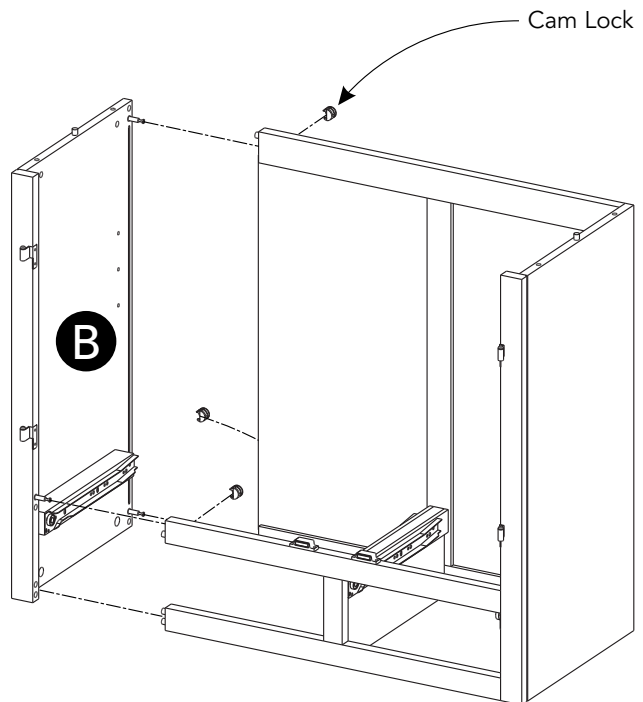
Attach Front Rail (C) to unit.

Attach Front Upright (E) to unit.

Attach Front Rail (D) to unit
with Cam Lock.

STEP 4

Attach Side Panel (B) to unit
with Cam Locks.



Assembly Instructions 4/8

STEP 5

Attach Base (K) to unit with Cross Dowels and Head Cap Bolts (long).
(See Figure 3)

Attach Legs (L) to Base (K) with Head Cap Bolts.

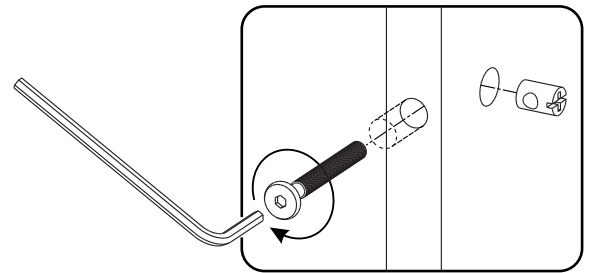
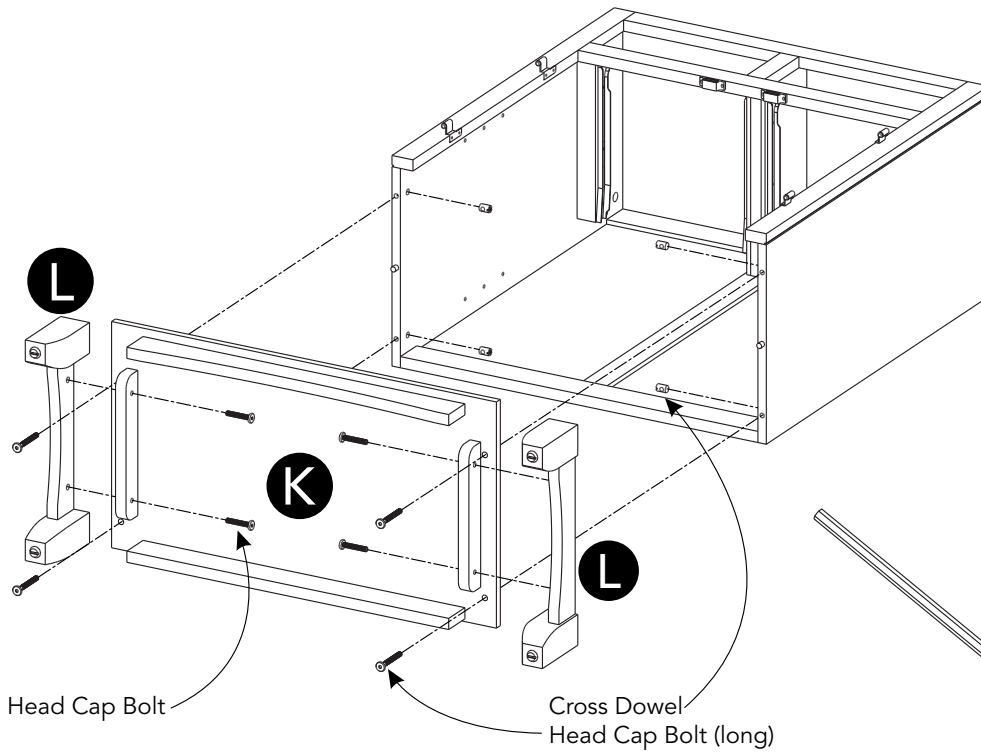


Figure 3

STEP 6

Turn unit to its upright position.

Insert Adjustable Pins into side panels at desired level.

Place Shelf (M) into position.

Attach Doors (N) and (O) to unit by sliding door hinges into side panel hinges.
(See Figure 4)

Attach Knobs to Doors (N) and (O) with Machine Screws. (See Figure 5)

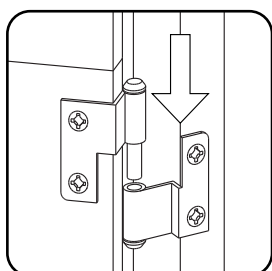
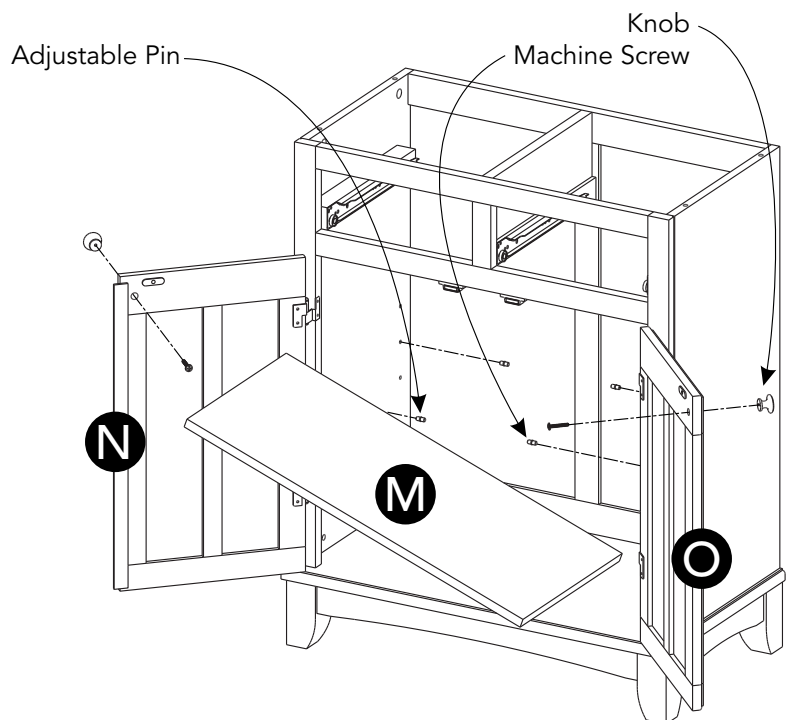


Figure 4

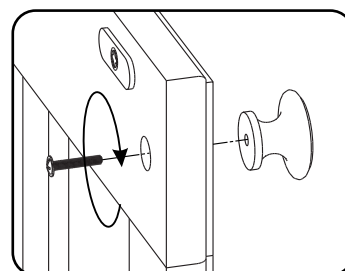
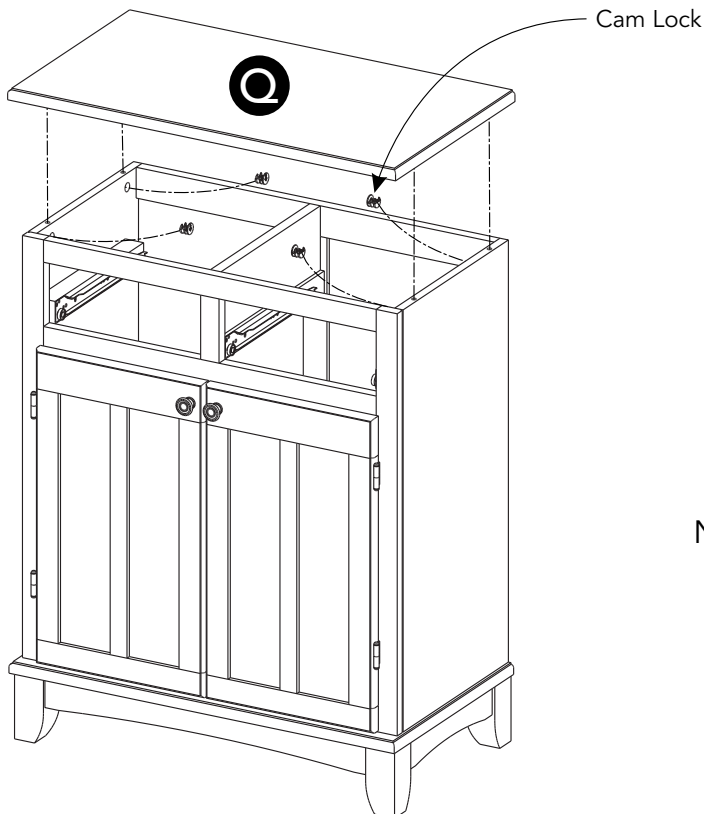
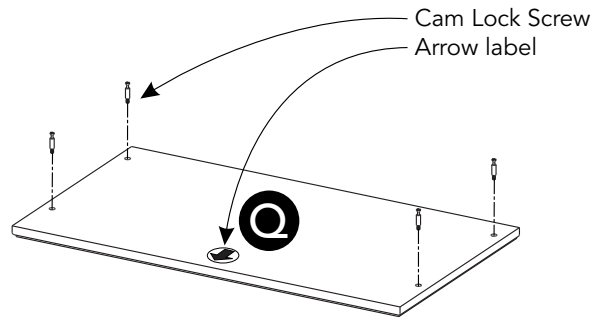


Figure 5

STEP 7

Place Top (Q) upside down on a soft cloth.

Insert Cam Lock Screws into pre-drilled holes in Top (Q), then tighten.



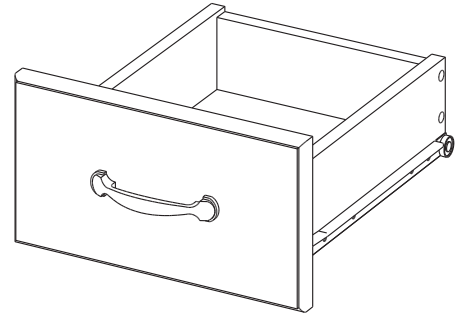
STEP 8

Attach Top (Q) to unit with Cam Locks.

Note: Arrow label indicates front of Top (Q).

Assembly Instructions 6/8

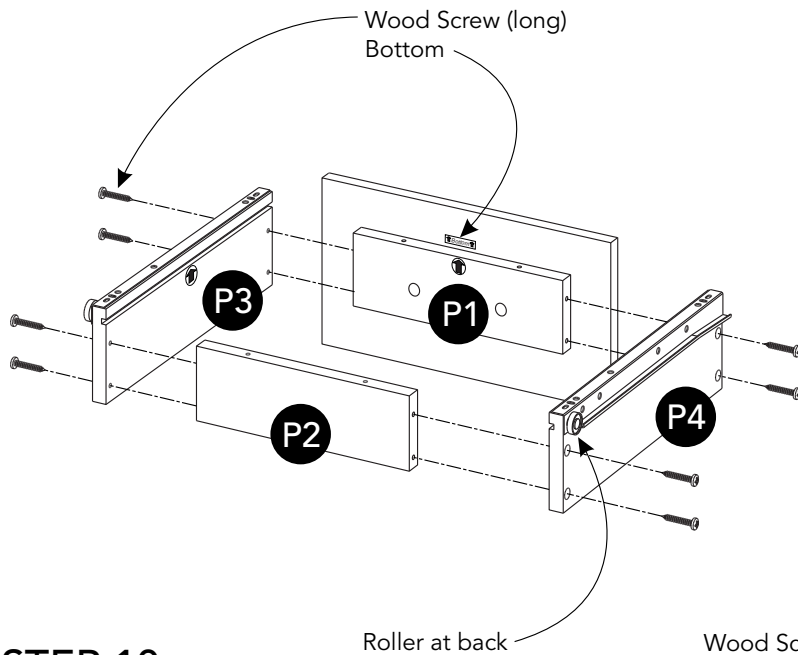
Drawer (P)



STEP 9

Attach Drawer Front (P1) and Drawer Back (P2) to Drawer Side (P3) with Wood Screws (long).

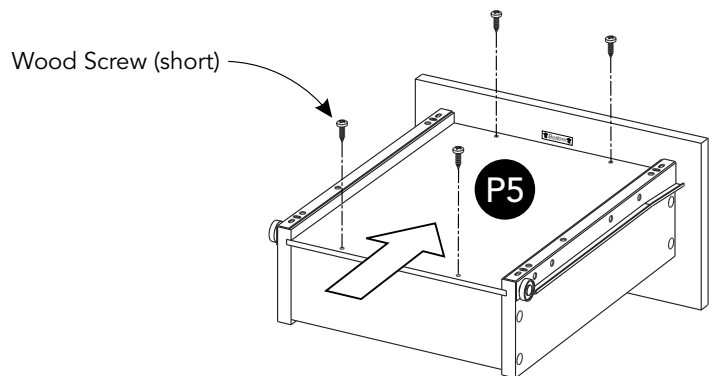
Attach Drawer Side (P4) to unit with Wood Screws (long).



STEP 10

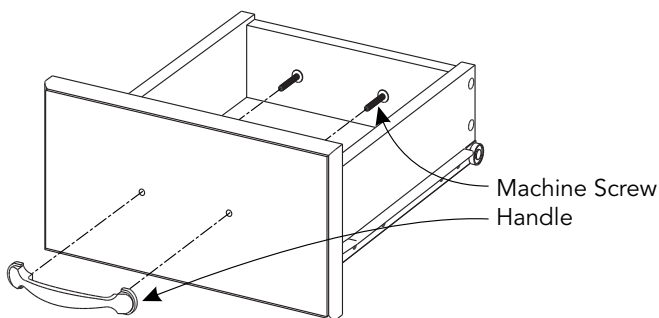
Slide Drawer Bottom (P5) into groove.

Attach Drawer Bottom (P5) to unit with Wood Screws (short).

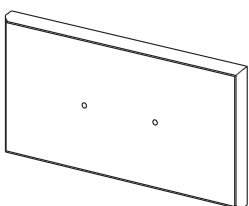


STEP 11

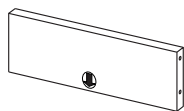
Attach Handle with Machine Screws.



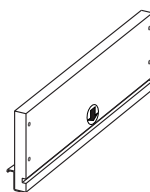
Part List



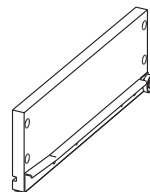
P1.
Drawer Front
2 pcs.



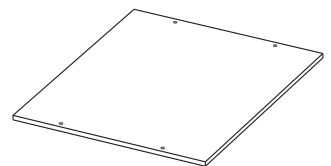
P2.
Drawer Back
2 pcs.



P3.
Drawer Side
2 pcs.

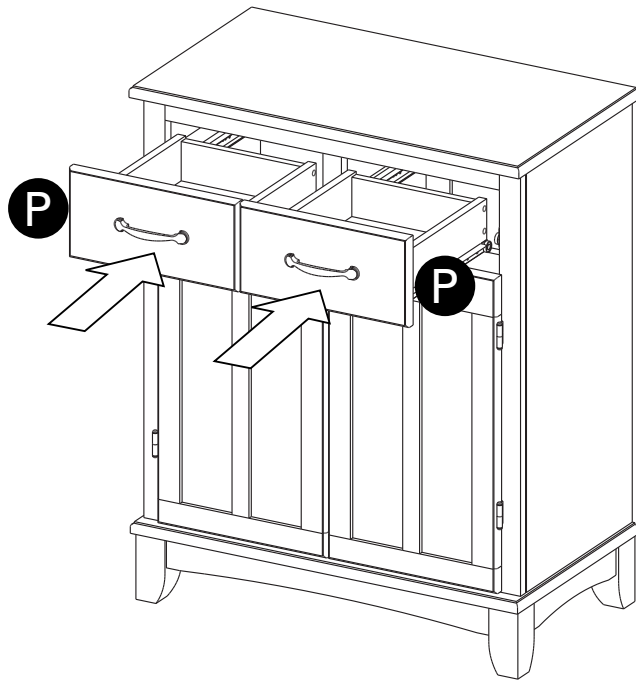


P4.
Drawer Side
2 pcs.



P5.
Drawer Bottom
2 pcs.

Assembly Instructions 7/8



STEP 12

Slide Drawers (P) into position.

STEP 13

Level unit by adjusting the adjustable levelers on bottom of unit.
(See Figure 6)

Note: Unit must be level to proceed.

Insert Wood Screws for Back Panel into pre-drilled holes in unit, then tighten.

Note: Unit must be level before tightening these screws.

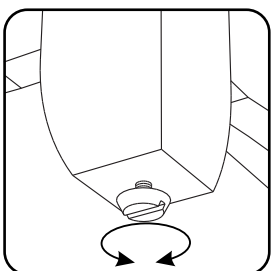
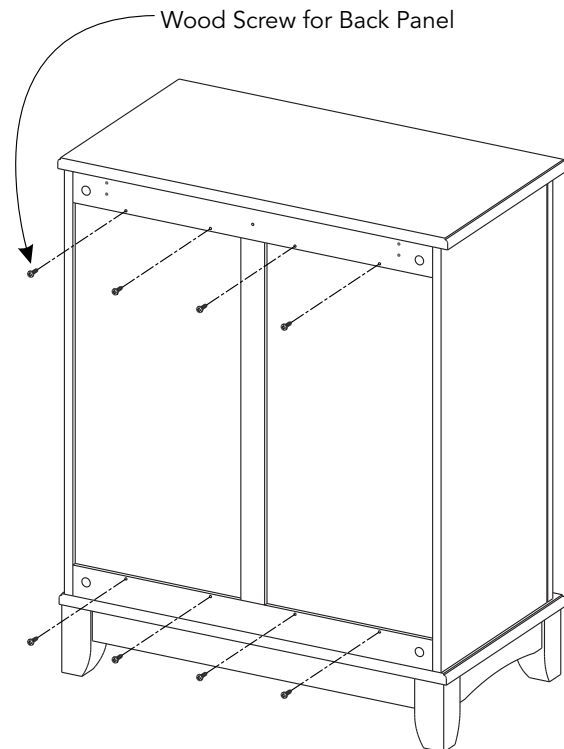


Figure 6

Assembly Instructions 8/8

IMPORTANT

- To help reduce the risk of the unit tipping over, the Tipover Restraint must be installed following these instructions exactly.

STEP 14

Place unit at desired location.

Drill a 3/8" hole in wall in-line with Pre-drilled hole at top of unit.

Move unit.

Insert Anchor into the wall hole and attach Bracket with Wall Screw.

Attach Bracket at pre-drilled hole at top of unit with Wood Screw.

Move unit back into place.

Slide Tipover Restraint through Bracket on wall and Bracket on unit.
(See Figure 7)

Put tie end of Tipover Restraint into lock end of Tipover Restraint and pull until tight.

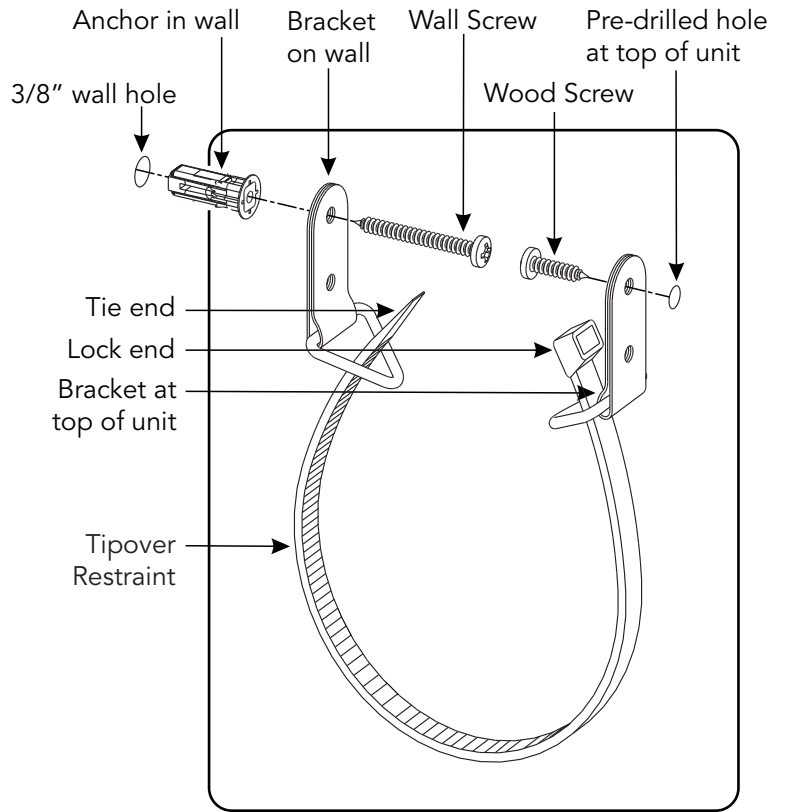
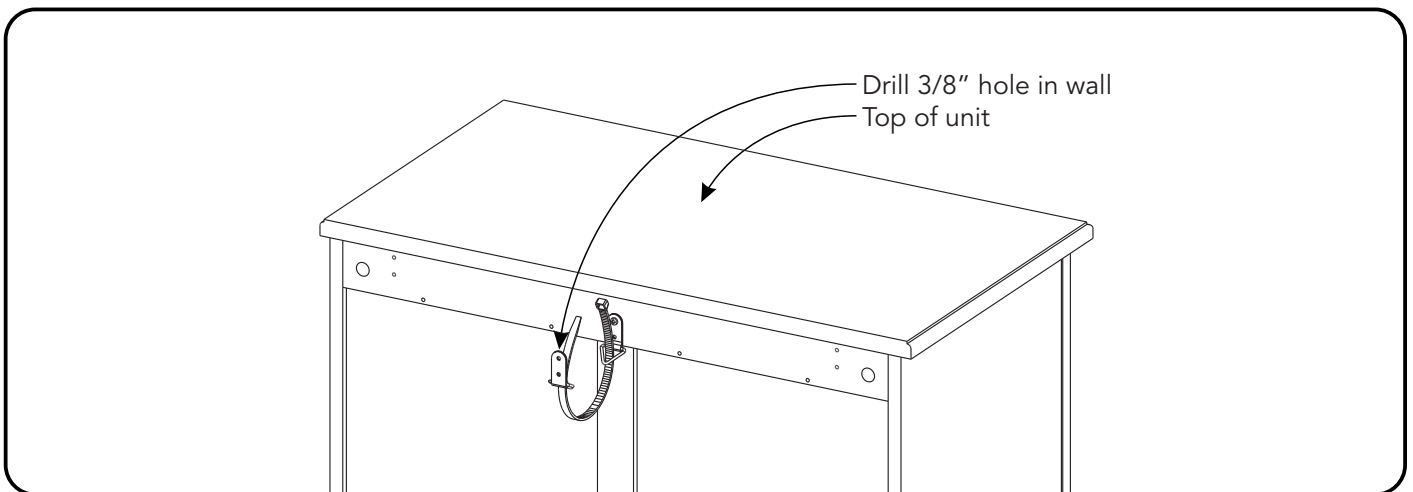


Figure 7



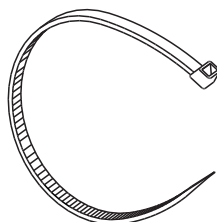
Hardware List



Anchor
1 pc. (+1 extra)



Bracket
2 pcs. (+1 extra)



Tipover Restraint
1 pc. (+1 extra)



M3.5x40
Wall Screw
1 pc. (+1 extra)



M3.5x16
Wood Screw
1 pc. (+1 extra)

CARE INSTRUCTIONS

NEVER

allow liquids to remain on furniture.
Absorption causes parts to warp
and split and finishes to delaminate.

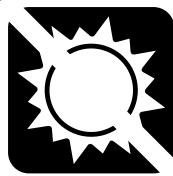
NEVER

use glass cleaners on
finished furniture. Ammonia
chemically attacks the finish.



Do not use power tools
above 8 volts to assemble.

**PREVENT
CRACKING**



Do not place
in direct sunlight.

**PREVENT
FADING**



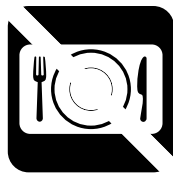
Do not write
directly on surface.

**PREVENT
MARKING**



Do not place hot
objects on surface.

**PREVENT
FINISH DAMAGE**



Do not use rubber
based placemats.

**PREVENT
DISCOLORING**



Do not use commercial
waxes and polishes.

**PREVENT
YELLOWING**

CLEAN

with a soft cloth moistened
in lukewarm soap and water.
Buff with a dry clean cloth.



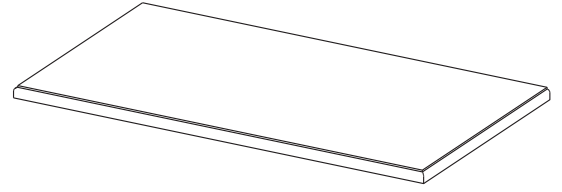
homestyles will provide replacements free of charge for missing or damaged parts within 30 days of purchase. Digital images of the defective parts may be required. If the product was not purchased from an authorized retailer, **homestyles** is under no obligation to provide replacement parts. Parts are not available for fully assembled items nor are parts available for sale. Replacements for missing or damaged parts may be requested via contact info below.

homestyles Customer Service: www.homestylesfurniture.com,
servicedesk@homestylesfurniture.com, 888-680-7460

homestyles[®]

5001-101

Solid Wood Top



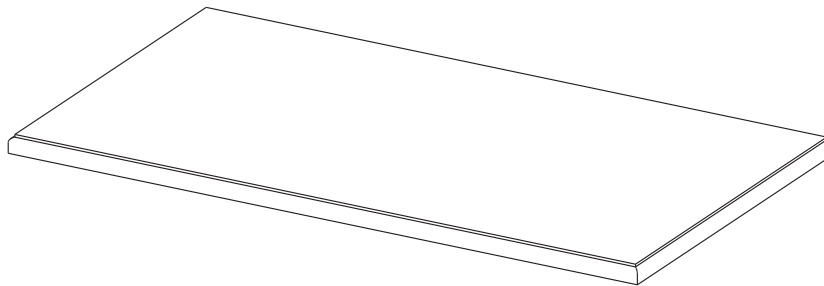
IMPORTANT

Carefully remove all the parts from the carton and place them individually on a soft cloth to prevent scratches or other damage.

Carefully and strictly follow these assembly instructions to ensure a completed product as designed.

Do not use power tools above 8 volts to assemble.

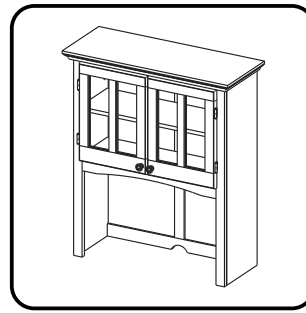
Part List



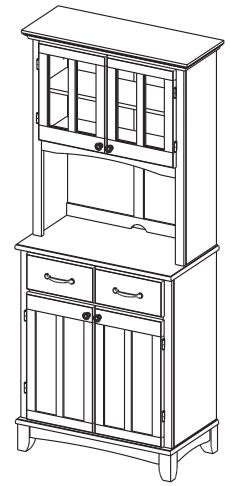
Q.
Top
1 pc.

For assembly see instructions in 5001 Buffet carton.

homestyles Customer Service: www.homestylesfurniture.com,
servicedesk@homestylesfurniture.com, 888-680-7460



Hutch



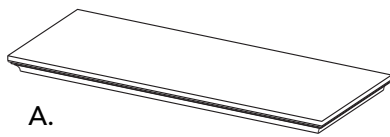
IMPORTANT

Carefully remove all the parts from the carton and place them individually on a soft cloth to prevent scratches or other damage.

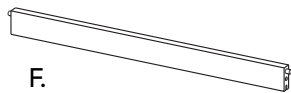
Carefully and strictly follow these assembly instructions to ensure a completed product as designed.

Do not use power tools above 8 volts to assemble.

Part List



A.
Top
1 pc.



F.
Back Rail
1 pc.



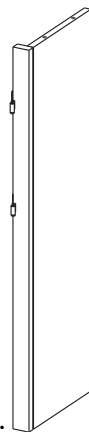
G.
Back Rail
1 pc.



I.
Fixed Shelf
1 pc.



B.
Side Panel
1 pc.



C.
Side Panel
1 pc.



D.
Back Panel
2 pcs.



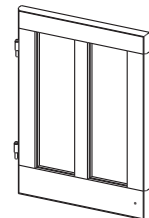
E.
Back Upright
1 pc.



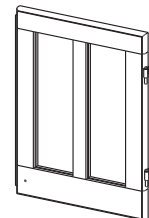
H.
Front Rail
1 pc.



J.
Shelf
1 pc.



K.
Door
1 pc.



L.
Door
1 pc.

Hardware List



Cam Lock Screw
14 pcs. (+1 extra)



Cam Lock
14 pcs. (+2 extra)



M3.5x16
Wood Screw for Back Panel
8 pcs. (+1 extra)



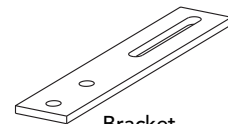
Adjustable Pin
4 pcs. (+1 extra)



Knob
2 pcs.



M4x25
Machine Screw
2 pcs.



Bracket
2 pcs.



M4x13
Wood Screw for Bracket
8 pcs. (+1 extra)

Tool(s) required for assembly: Phillips screwdriver, Level, Drill (8 volts or less), 3/8" Drill Bit

Assembly Instructions 2/6

IMPORTANT

- Use a soft cloth between these parts and the floor.
- Do not use power tools above 8 volts to assemble.
- Do not tighten all the screws until each part is properly assembled.

STEP 1

Insert Cam Lock Screws into pre-drilled holes in Top (A) and Side Panels (B), (C), then tighten. (See Figure 1)

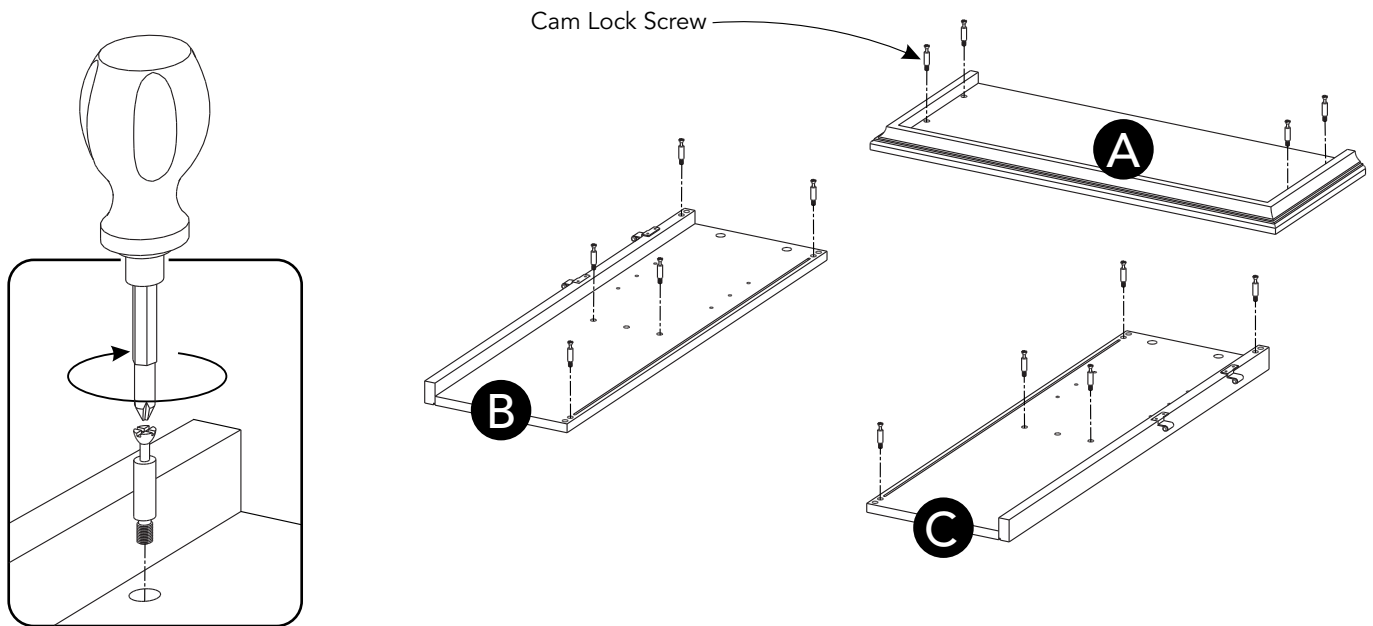


Figure 1

STEP 2

Attach Back Rail (F) to Side Panel (B) with Cam Lock. (See Figure 2)

Attach Back Upright (E) to Back Rail (F).

Slide Back Panels (D) into position.

Attach Back Rail (G) to unit with Cam Lock.

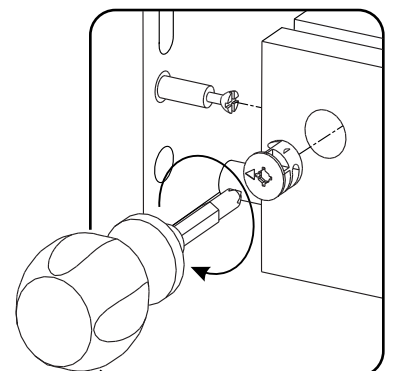
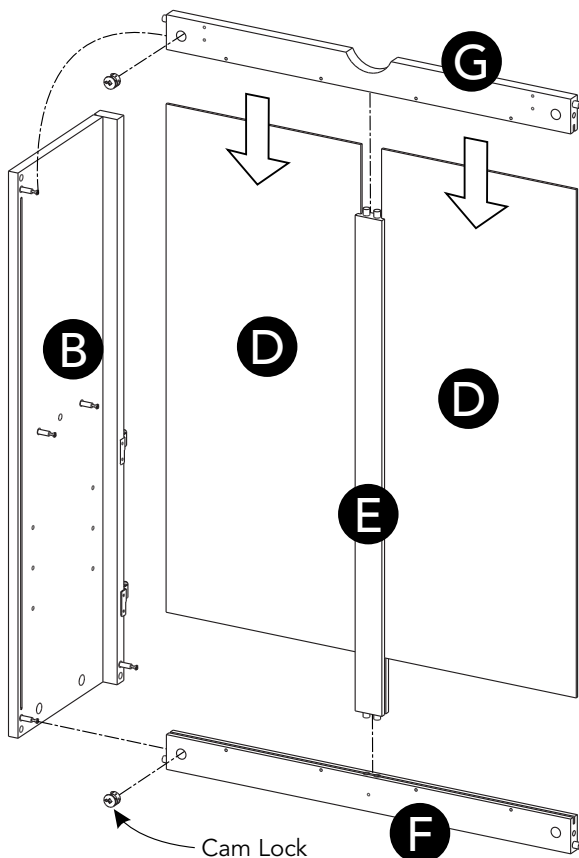
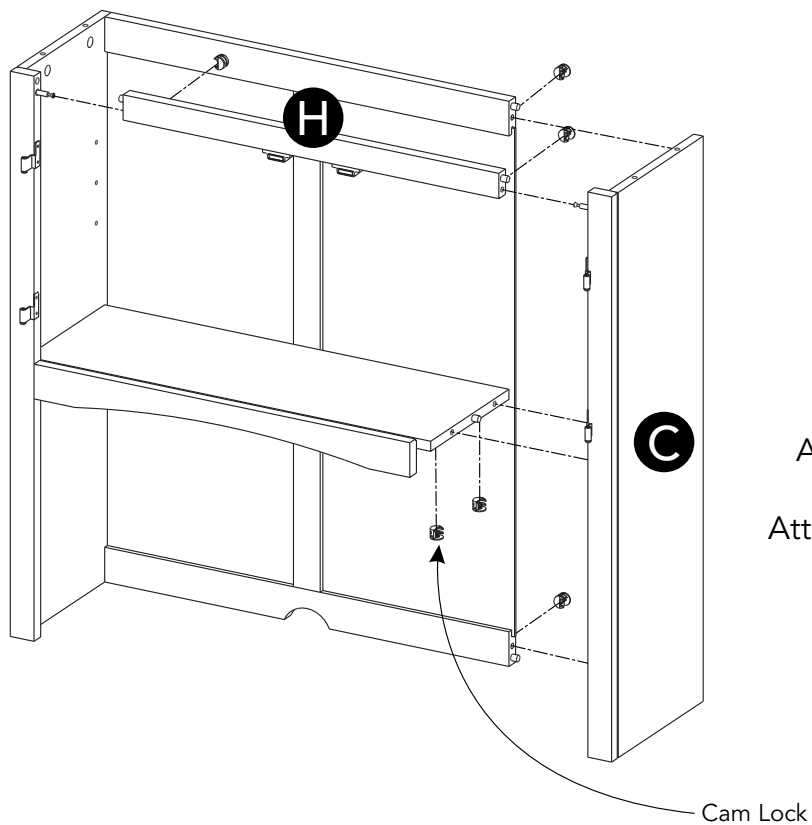
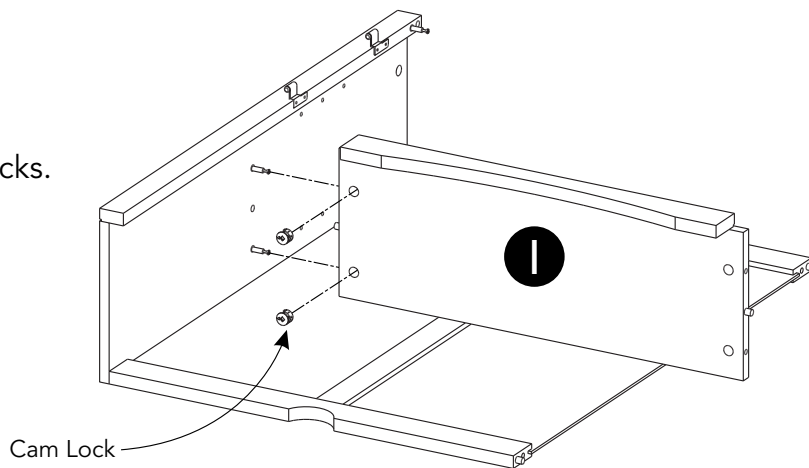


Figure 2

STEP 3

Attach Fixed Shelf (I) to unit with Cam Locks.



STEP 4

Attach Front Rail (H) to unit with Cam Lock.

Attach Side Panel (C) to unit with Cam Locks.

Assembly Instructions 4/6

STEP 5

Insert Adjustable Pins into side panels at desired level.

Place Shelf (J) into position.

Attach Doors (K) and (L) to unit by sliding door hinges into side panel hinges.
(See Figure 3)

Attach Knobs to Doors (K) and (L) with Machine Screws.
(See Figure 4)

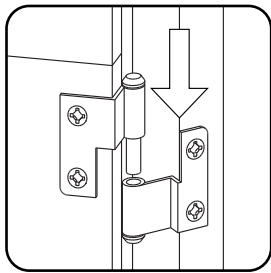
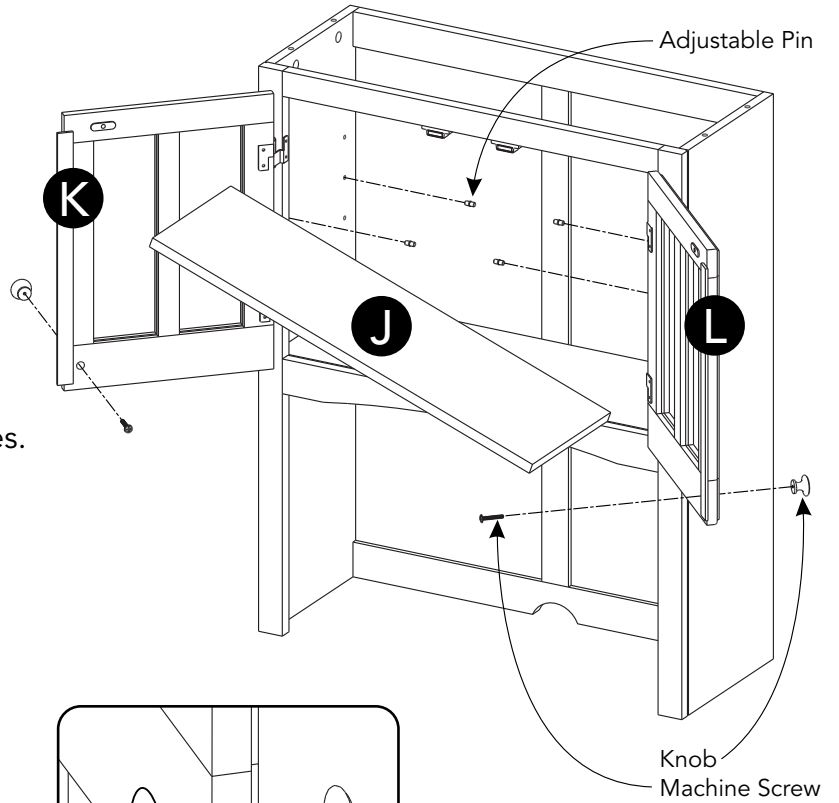


Figure 3

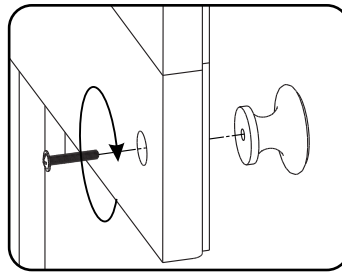
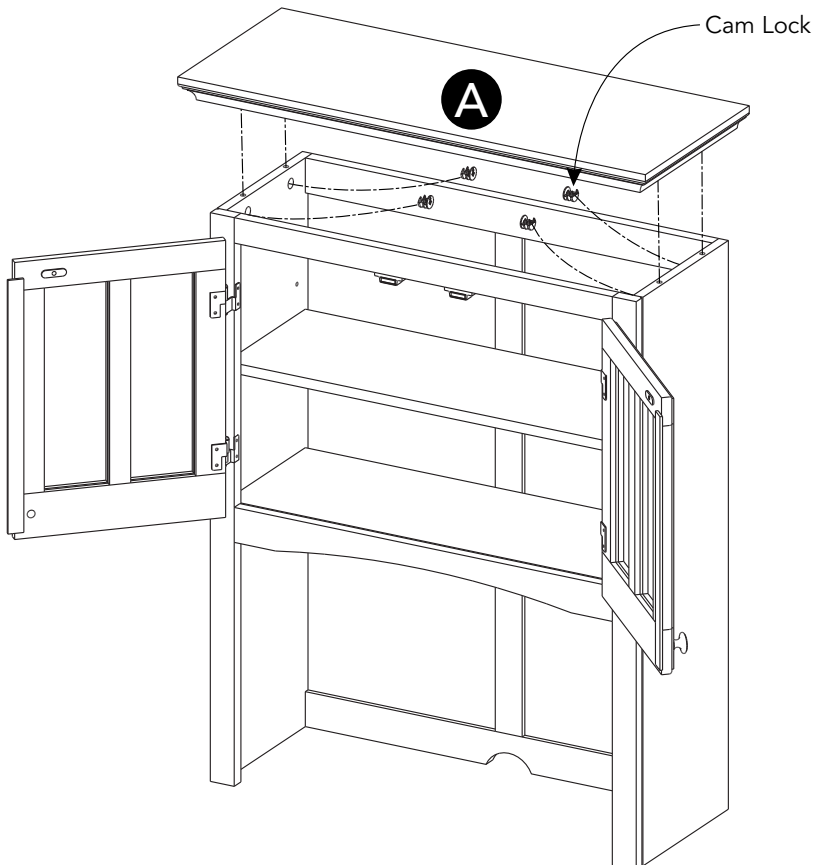


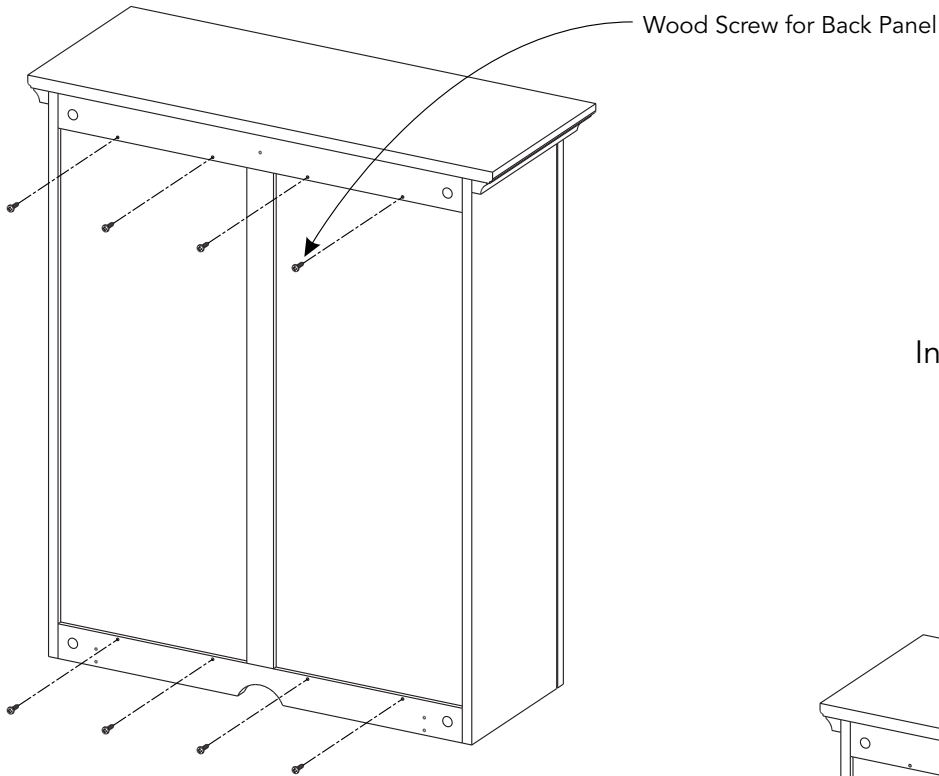
Figure 4



STEP 6

Attach Top (A) to unit with Cam Locks.

Assembly Instructions 5/6



STEP 7

Insert Wood Screws for Back Panel into pre-drilled holes in unit.

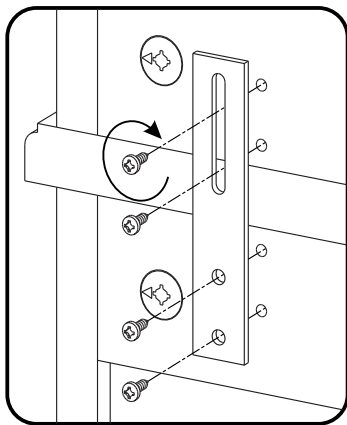
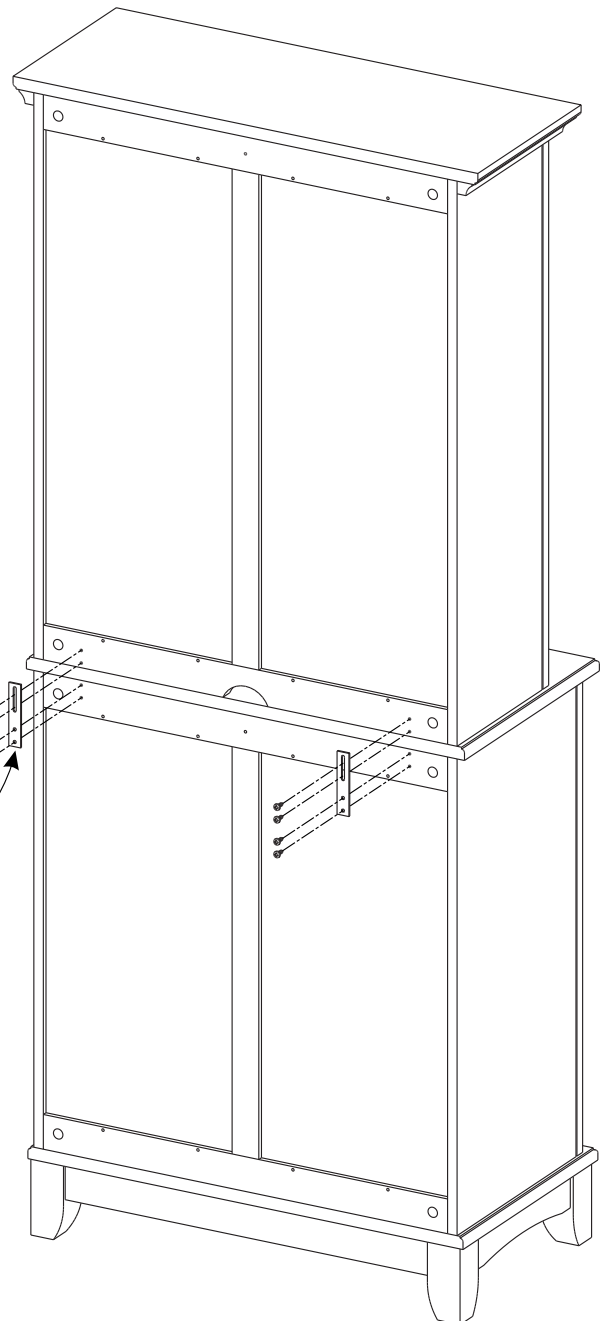


Figure 5

Wood Screw for Bracket
Bracket

STEP 8

Attach Hutch to Buffet with Brackets by inserting Wood Screws for Bracket into pre-drilled holes, then tighten.
(See Figure 5)



Assembly Instructions 6/6

IMPORTANT

- To help reduce the risk of the unit tipping over, the Tipover Restraint must be installed following these instructions exactly.

STEP 9

Place unit at desired location.

Drill a 3/8" hole in wall in-line with Pre-drilled hole at top of unit.

Move unit.

Insert Anchor into the wall hole and attach Bracket with Wall Screw.

Attach Bracket at pre-drilled hole at top of unit with Wood Screw.

Move unit back into place.

Slide Tipover Restraint through Bracket on wall and Bracket on unit.
(See Figure 6)

Put tie end of Tipover Restraint into lock end of Tipover Restraint and pull until tight.

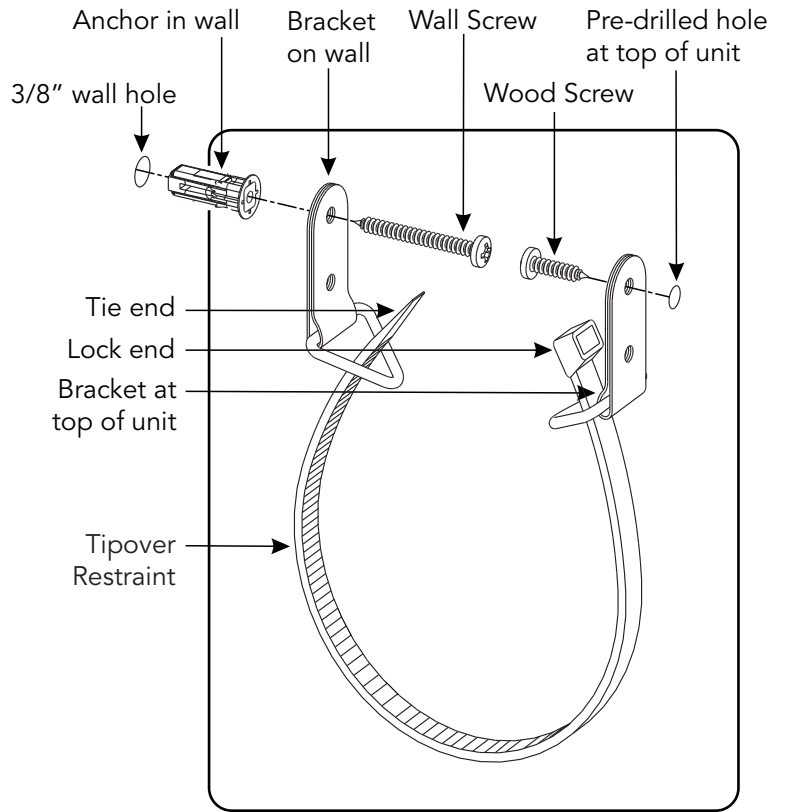
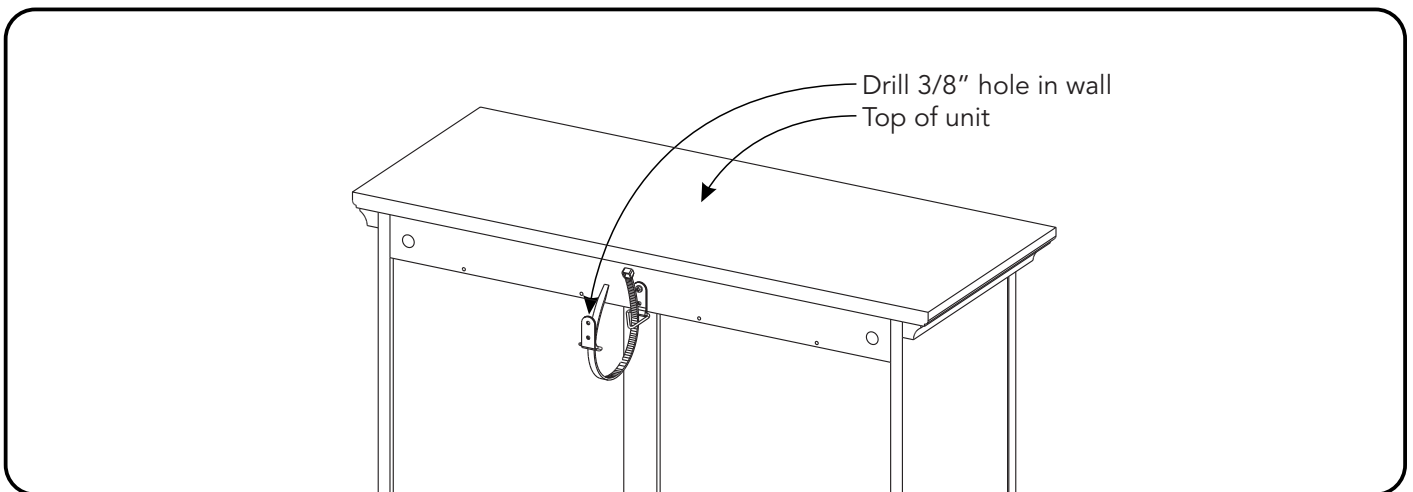


Figure 6



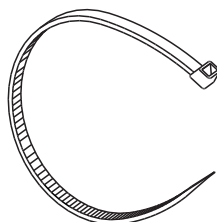
Hardware List



Anchor
1 pc. (+1 extra)



Bracket
2 pcs. (+1 extra)



Tipover Restraint
1 pc. (+1 extra)



M3.5x40
Wall Screw
1 pc. (+1 extra)



M3.5x16
Wood Screw
1 pc. (+1 extra)

CARE INSTRUCTIONS

NEVER

allow liquids to remain on furniture.
Absorption causes parts to warp
and split and finishes to delaminate.

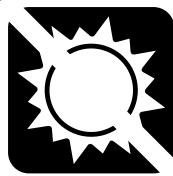
NEVER

use glass cleaners on
finished furniture. Ammonia
chemically attacks the finish.



Do not use power tools
above 8 volts to assemble.

**PREVENT
CRACKING**



Do not place
in direct sunlight.

**PREVENT
FADING**



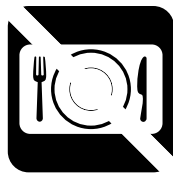
Do not write
directly on surface.

**PREVENT
MARKING**



Do not place hot
objects on surface.

**PREVENT
FINISH DAMAGE**



Do not use rubber
based placemats.

**PREVENT
DISCOLORING**



Do not use commercial
waxes and polishes.

**PREVENT
YELLOWING**

CLEAN

with a soft cloth moistened
in lukewarm soap and water.
Buff with a dry clean cloth.



homestyles will provide replacements free of charge for missing or damaged parts within 30 days of purchase. Digital images of the defective parts may be required. If the product was not purchased from an authorized retailer, **homestyles** is under no obligation to provide replacement parts. Parts are not available for fully assembled items nor are parts available for sale. Replacements for missing or damaged parts may be requested via contact info below.

homestyles Customer Service: www.homestylesfurniture.com,
servicedesk@homestylesfurniture.com, 888-680-7460