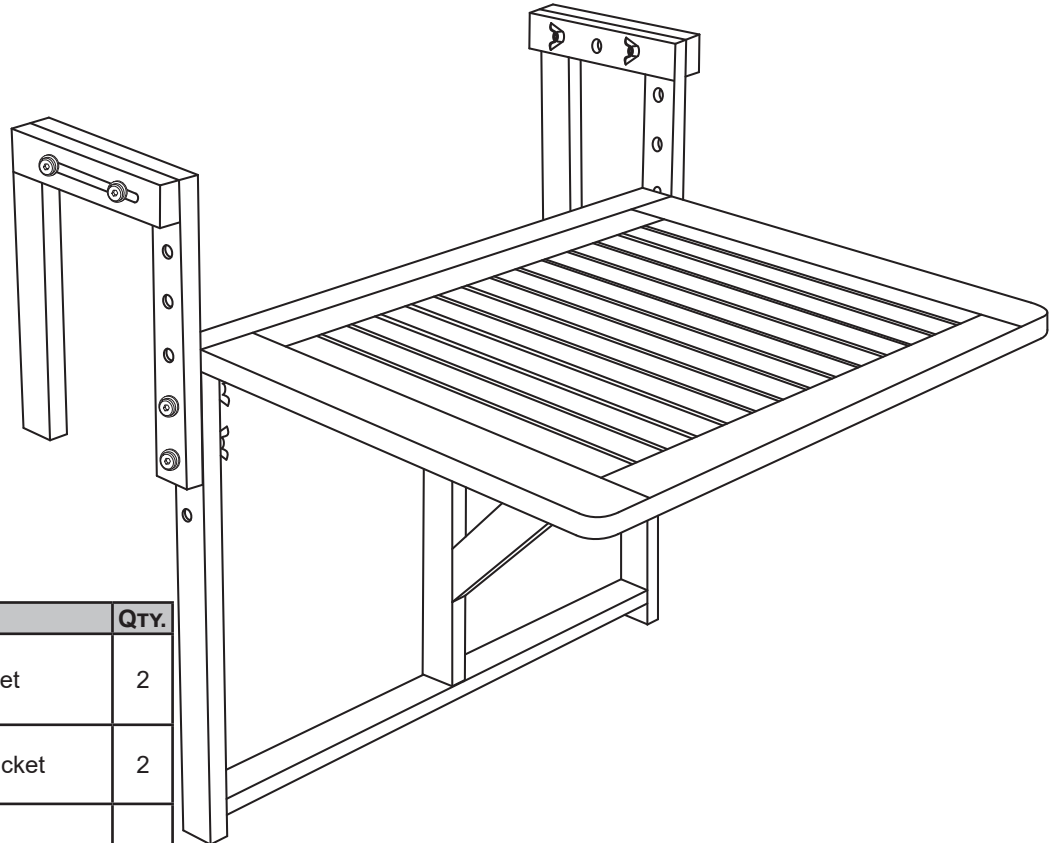
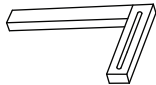
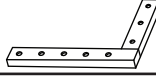
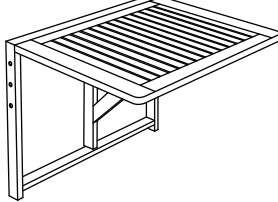






MERANTI WOOD FOLDING BALCONY RAILING TABLE FRN-682

Read assembly instructions carefully and follow the care instructions. Save this document for future reference.
Assemble components on a soft, clean surface to avoid scratching or damaging the finish.



Inspect packaging to ensure all parts are accounted for before disposing of packing materials.

No.	PARTS	QTY.
A	 Depth Bracket	2
B	 Hanging Bracket	2
C	 Folding Table	1
D	 JCBC M6x55mm Bolt	8
E	 Washer	16
F	 Wing Nut	8
G	 Hex Key	1

IMPORTANT:

Only mount this unit on straight railing with minimal distance between the handrail and baluster.

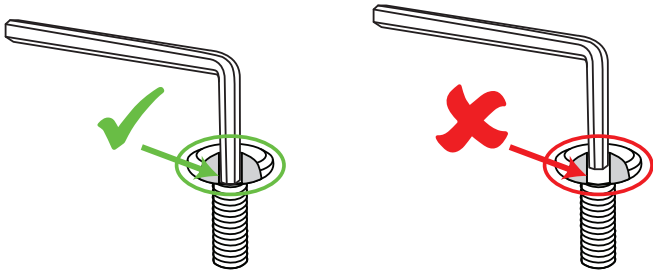
Do not install over railing that has a lip or uneven edge.



⚠ WARNING ⚠

CHOKING HAZARD — This item contains small parts that can be swallowed. Keep children and pets away during assembly.

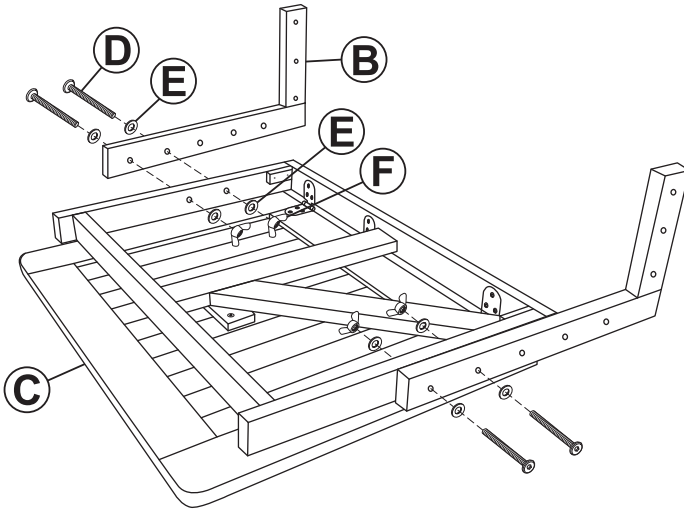
ASSEMBLY



TIP: Always fully insert the hex key inside the designated notch of the bolt.

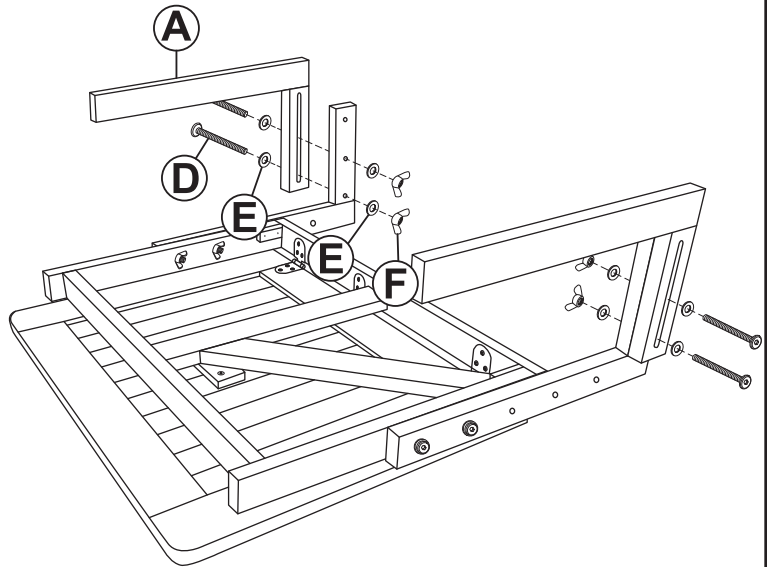
If the hex key is not fully inside the notch, the hex key could slip out, causing damage to the bolt head. Repeated hex key slipping will cause the notch to become rounded, making it difficult or impossible to tighten the bolt with the hex key.

STEP 1 B: 2 C: 1 D: 4 E: 8
F: 4



- Lay Folding Table (C) face-down on a soft, clean surface.
- Align the bottom mounting holes on the long side of Hanging Bracket (B) with the mounting holes on the folding table and loosely secure using two JCBC M6x55mm Bolts (D), four Washers (E), and two Wing Nuts (F) as shown.
- Repeat to connect the remaining hanging bracket.
Do not fully tighten hardware until after the table is installed.

STEP 2 A: 2 D: 4 E: 8 F: 4



- Align the mounting slide of Depth Bracket (A) with the hanging bracket and loosely secure using two JCBC M6x55mm Bolts (D), four Washers (E), and two Wing Nuts (F) as shown.
- Repeat to connect the remaining depth bracket.
Do not fully tighten hardware until after the table is installed.

INSTALLATION

Ensure the tabletop will be at a suitable height before installing this unit onto your railing.

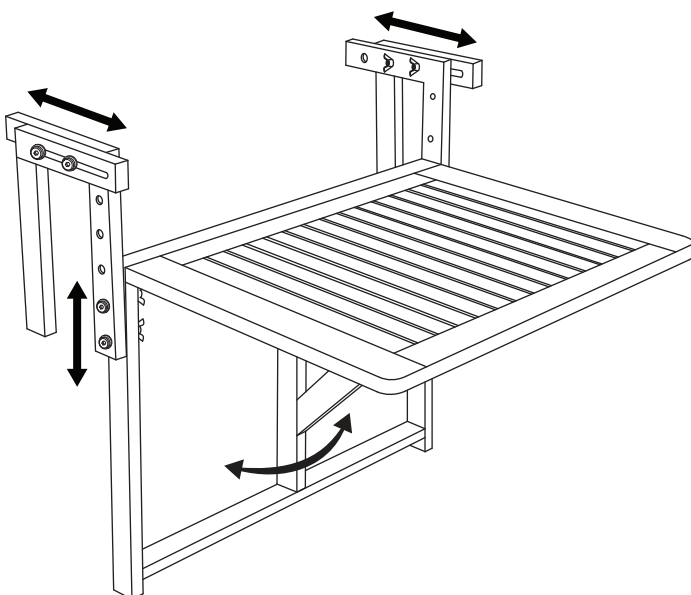
Place the assembled unit over your balcony railing and determine if the table height is to your liking. To raise the table height, remove the unit from your railing and evenly adjust the table to the upper mounting holes on the hanging brackets.

Once the desired table height is achieved, adjust the depth brackets to fit the depth of your railing.

Fully tighten all hardware.

Gently lift the tabletop and rotate the support bar until it aligns with the notch on the bottom of the table.

NOTE: the support bar rotates 180 degrees; always ensure it is fully inserted into the notch under the table before use.



Care & Maintenance

SAFE USE: Ensure the tabletop is level before use, and the support bar is fully engaged with the notch under the tabletop. Do not exceed the weight capacity of the tabletop. Do not sit, stand or climb on any part of this unit.

EXPOSURE: Over time, sunlight and weather elements may degrade and change the color of natural wood. Avoid leaving wooden furniture in the rain or high-humidity climates as wood swells and shrinks with moisture and humidity changes. The stress caused by the wood swelling and shrinking can cause glued joints to fail.

INSPECT: Periodically check assembly points and tighten fittings as necessary.

CLEANING: Identify the direction of the woodgrain. Following the direction of the woodgrain, wipe surfaces with a soft, dry cloth. Do not use harsh chemicals, abrasive materials, or a pressure washer to clean.

WINTER CARE & STORAGE: Protect this item from inclement weather, especially ice and snow. Move to a cool, dry indoor location when not in use.

Covering while in storage is recommended to help prevent dust build-up.

MAINTENANCE: If left untreated, the wood may weather. To maintain the appearance, apply a suitable penetrating wood oil (not included) at least once per year or when the wood looks particularly dry.

Before applying a suitable wood oil, clean the unit and bring it into a dry, warm, indoor location. Allow the unit to dry thoroughly before applying oil; drying may take several days. Only apply oil to wooden surfaces. Apply oil as directed by the wood oil manufacturer.

WARNING: THE ONE-YEAR WARRANTY DOES NOT COVER DAMAGES OR DEFECTS CAUSED BY THE USE OF CHEMICAL TREATMENTS OR PROTECTIVE COATINGS.

SAFETY STATEMENTS & WARNINGS

- Do not exceed the weight capacity of the table.
- Do not allow children to set up or use this item.
- Firmly secure all hardware and ensure the support bar is fully engaged before use.
- Inspect hardware often and tighten as necessary.
- Do not use this item in the proximity of open flame or flammable/combustible chemicals.
- Keep this unit a safe distance from heat sources such as fire pits, patio heaters, and grills.
- Do not use harsh chemicals or abrasive materials to clean this unit.
- This product is for residential use only; institutional or commercial use will void this warranty.

Any modification to the product or failure to follow recommended care will void the product warranty.

WARNING

Manufacturer and seller expressly disclaim any and all liability from personal injury, property damage or loss, whether direct or indirect, or incidental, resulting from the incorrect attachment, improper use, inadequate maintenance, or neglect of this product.