

# HADLEY MIRROR

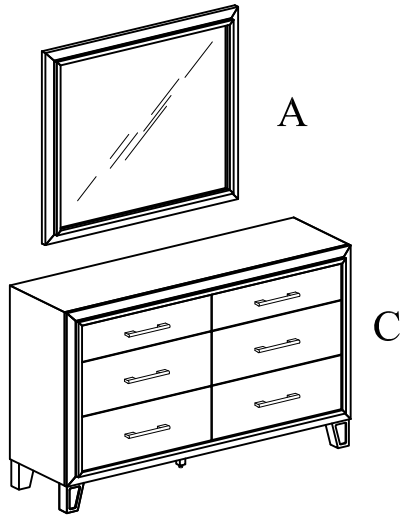
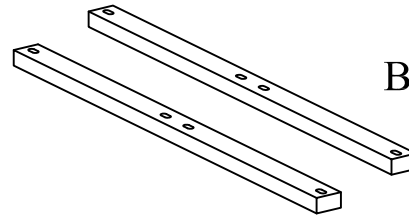
## ASSEMBLY INSTRUCTIONS



### PARTS AND FITTING PACKAGING DETAIL

**BOX #1**  
 A. MIRROR: 1PC  
 B. MIRROR SUPPORTS: 2PCS

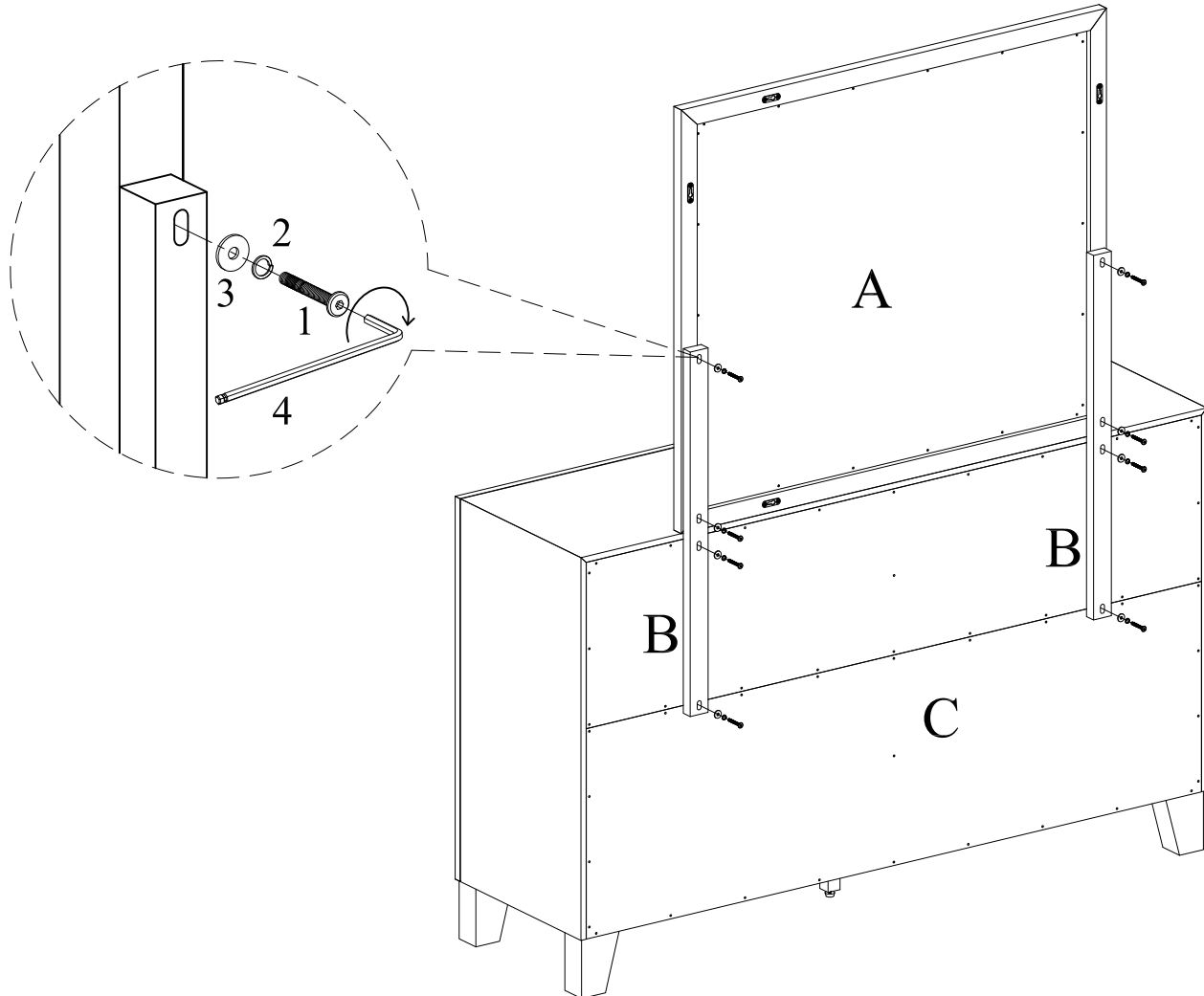
**BOX #2 (SOLD SEPARATELY)**  
 C. DRESSER: 1PC



### HARDWARE PACKED IN CARTON

NO	DESCRIPTION	PHOTO	QUANTITY
1	ALLEN HEAD BOLT (M6X45)		8 PCS
2	LOCK WASHER (M9)		8 PCS
3	FLAT WASHER (M8)		8 PCS
4	ALLEN KEY		1 PC

### OPTION 1: ATTACHING MIRROR TO DRESSER



# HADLEY MIRROR

## ASSEMBLY INSTRUCTIONS



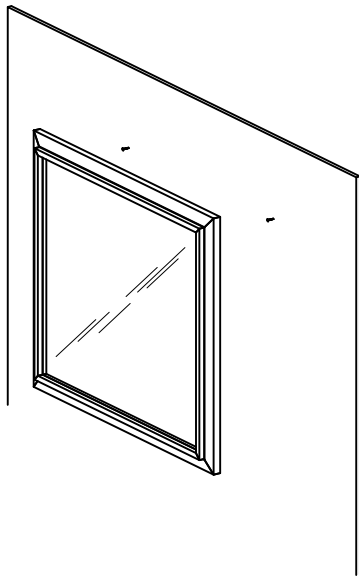
### OPTION 2: ATTACHING MIRROR TO WALL

PRE - INSTALLED MIRROR BRACKETS ARE TEARDROP SHAPED. TEST CONNECTION BETWEEN MIRROR BRACKET AND MOUNTING HARDWARE BEFORE INSTALLATION FOR SECURE FIT.

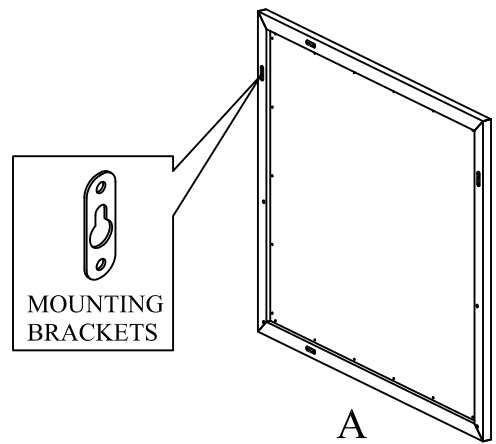
INSTALL MOUNTING HARDWARE ON THE WALL. MAKE SURE THE DISTANCE BETWEEN MOUNTING HARDWARE CENTERS ON THE WALL MATCHES THE DISTANCE BETWEEN BRACKET CENTER ON THE MIRROR.

CAUTION: WE RECOMMEND INSTALLING MOUNTING HARDWARE IN WALL STUDS OR A BOARD THAT IS SECURED TO STUDS. CONSULT A PROFESSIONAL INSTALLER BEFORE INSTALLING IN DRYWALL.

HANG THE MIRROR FROM THE MOUNTING HARDWARE ENSURE TEARDROP BRACKETS HAVE CAUGHT THE MOUNTING HARDWARE.



FRONT VIEW



BACK VIEW

### HADLEY MIRROR FULLY ASSEMBLED TO DRESSER

