

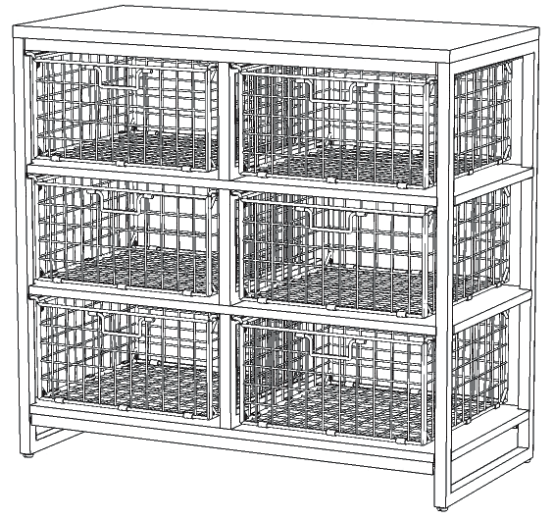
# 88 5053 41 Chest

## IMPORTANT NOTE

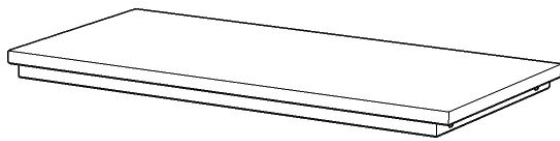
Carefully remove all the parts from the carton and put them individually on a soft cloth to prevent scratches or other damage occurring to the parts.

We have taken great care in the design of this product and request that you carefully and strictly follow our assembly instructions to ensure a completed product as it was designed.

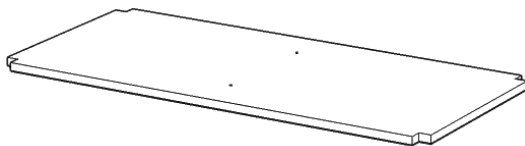
*Home  
Styles*



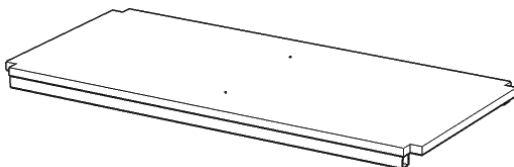
## Part List



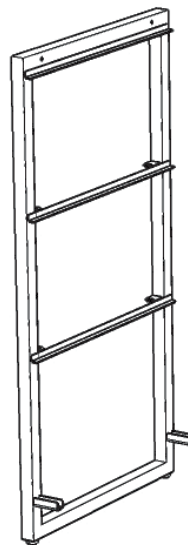
**A.**  
**Top**  
1 pc.



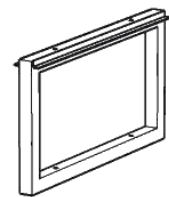
**B.**  
**Shelf**  
2 pcs.



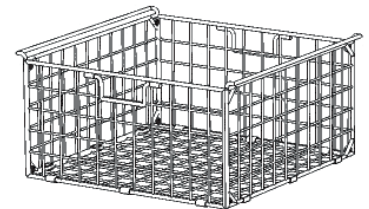
**C.**  
**Shelf**  
1 pc.



**D.**  
**Side Frame**  
2 pcs.



**E.**  
**Middle Frame**  
3 pcs.



**F.**  
**Basket**  
6 pcs.

*(Please refer to the last page of these instructions for basket assembly steps.)*

## Hardware List



**Hex Wrench**  
1 pc.



**Small Hex Wrench**  
1 pc.



**M6x57**  
**Head Cap Bolt (long)**  
4 pcs. (+1 extra)



**M6x38**  
**Head Cap Bolt**  
8 pcs. (+1 extra)



**M6x19**  
**Head Cap Bolt (short)**  
16 pcs. (+1 extra)



**M6x12**  
**Head Cap Bolt**  
for Basket  
48 pcs. (+1 extra)



**Flat Washer**  
28 pcs. (+1 extra)



**Spring Washer**  
28 pcs. (+1 extra)

**Tools required for assembly : Level**

**Home Styles Consumer Assistance : [www.homestyles-furniture.com](http://www.homestyles-furniture.com),  
[servicedesk@homestyles-furniture.com](mailto:servicedesk@homestyles-furniture.com), 888-680-7460, 877-831-0319**

## IMPORTANT

- \* Please keep Hex Wrench in a safe place as you may need to tighten up the Head Cap Bolts in the future.
- \* Do not tighten all the Head Cap Bolts until each part is properly assembled.
- \* Use a soft cloth between these parts and the floor.
- \* After assembly, item must be level to work properly. Use the included adjustable levelers to level.

## STEP 1

Attach Shelves (B) to Middle Frames (E) with Flat Washers, Spring Washers and Head Cap Bolts (long), tightening the bolts only half way. (See Figure 1)

Attach Top (A) and Shelf (C) to unit with Flat Washers, Spring Washers and Head Cap Bolts, tightening the bolts only half way.

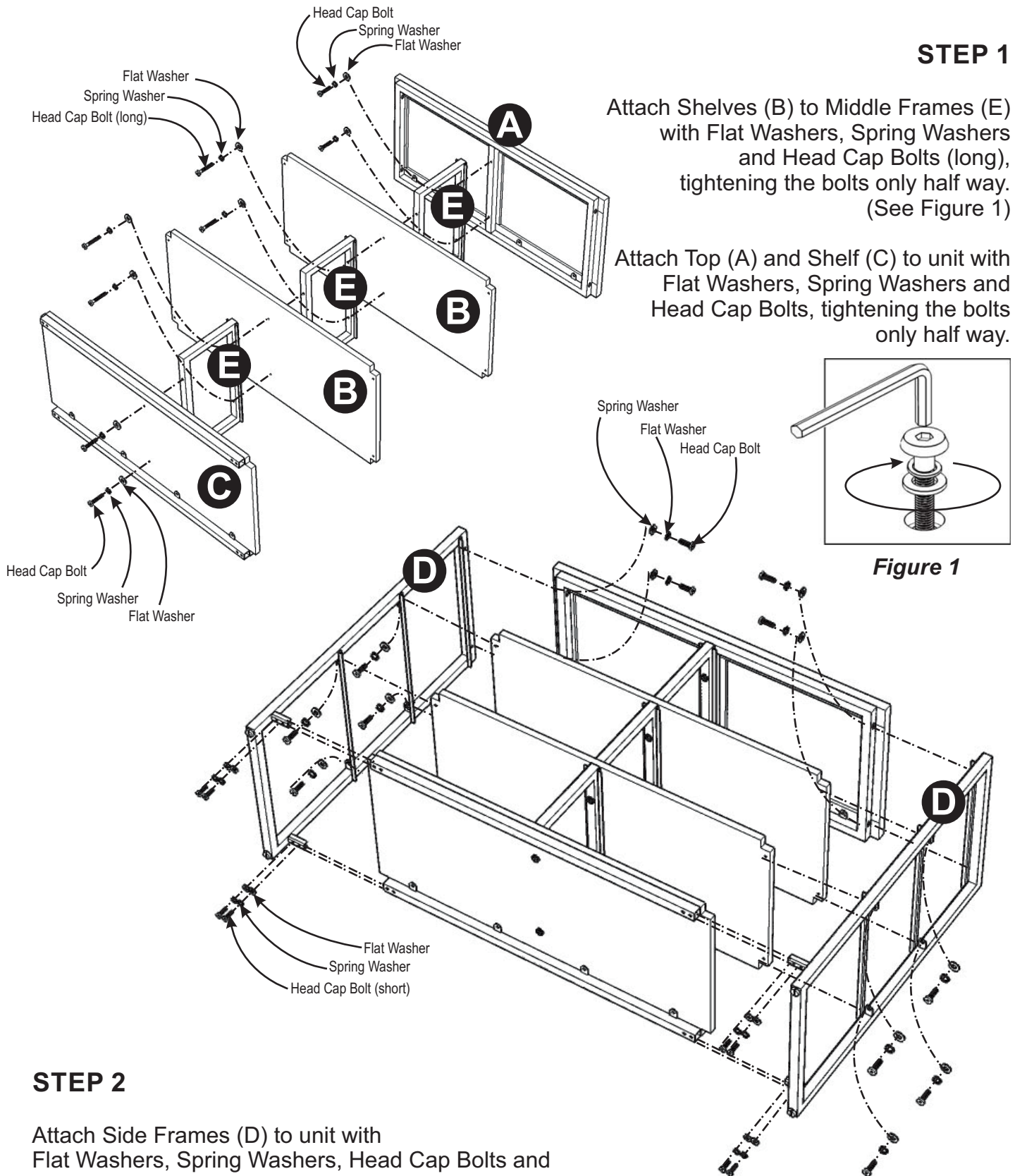
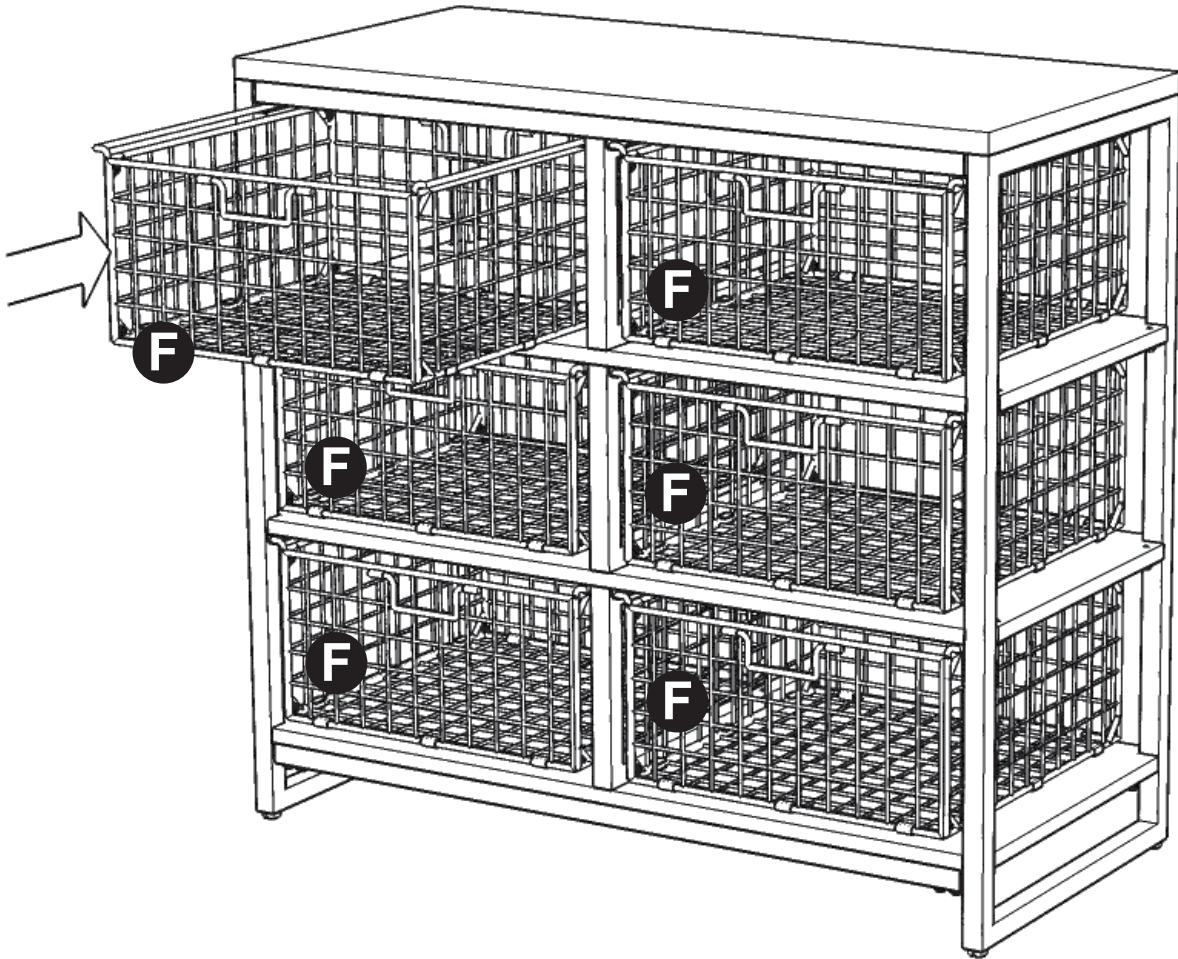


Figure 1

## STEP 2

Attach Side Frames (D) to unit with Flat Washers, Spring Washers, Head Cap Bolts and Head Cap Bolts (short), tightening the bolts only half way.

Tighten all Head Cap Bolts.



### STEP 3

Turn the unit to its' upright position.

Slide Baskets (F) into position.

To level the unit, adjust the adjustable levelers on the bottom of unit. (See Figure 2)

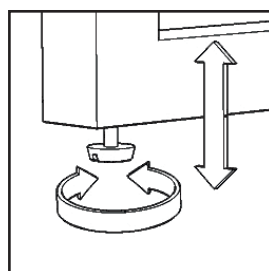


Figure 2

## Attention!

To help reduce the risk of the unit tipping over, the Tipover Restraint must be installed following these instructions exactly!

Place unit at desired location.

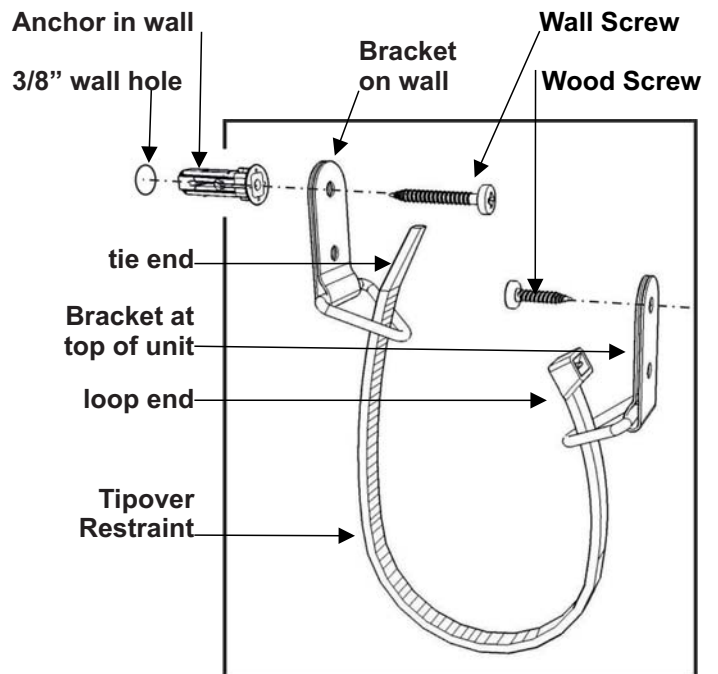
Drill a 3/8" hole in wall at the appropriate location.

Insert Anchor into the wall hole and attach Bracket with Wall Screw.

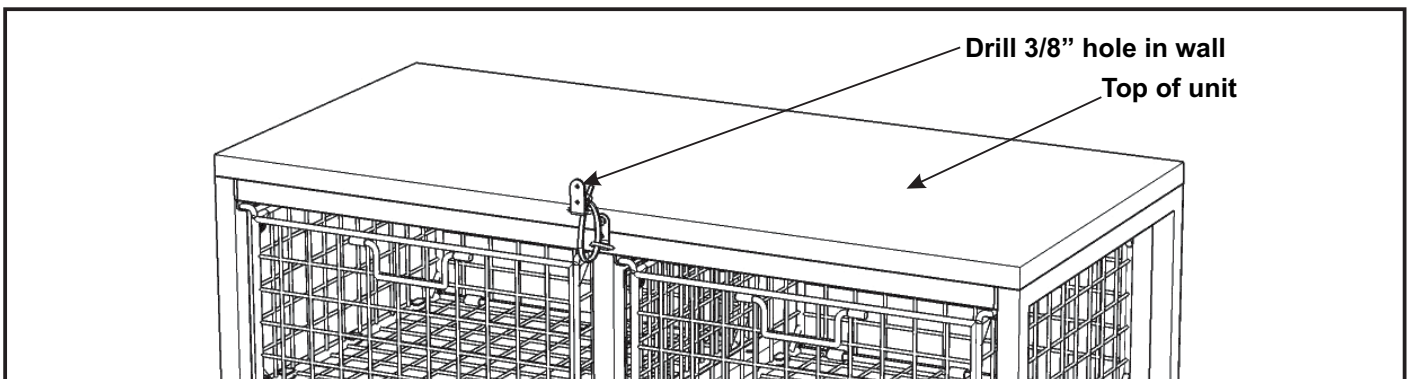
Attach Bracket at pre-drilled hole at top of unit with Wood Screw.

Use Tipover Restraint to secure Bracket on unit to Bracket on wall.  
(See Figure X)

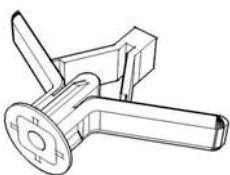
Put tie end of Tipover Restraint into loop end of Tipover Restraint and pull until tight.



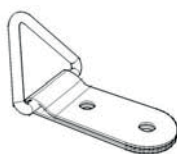
**Figure X**



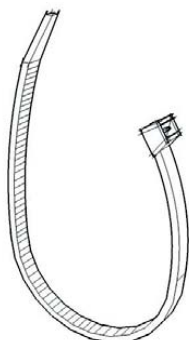
## Hardware List



**Anchor**  
1 pc.(+1 extra)



**Bracket**  
2 pcs.(+1 extra)



**Tipover Restraint**  
1 pc.(+1 extra)

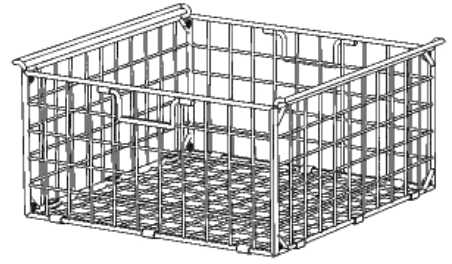


**M3.5x40  
Wall Screw**  
1 pc.(+1 extra)



**M3.5x16  
Wood Screw**  
1 pc.(+1 extra)

# Basket (F)



## STEP 1

Attach Basket Fronts (F3) to Basket Bottom (F1) with clips. (See Figure 1)

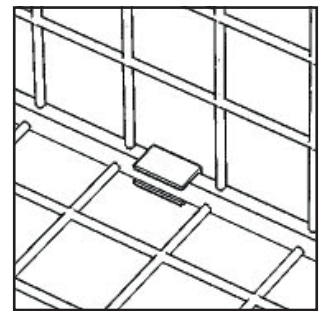
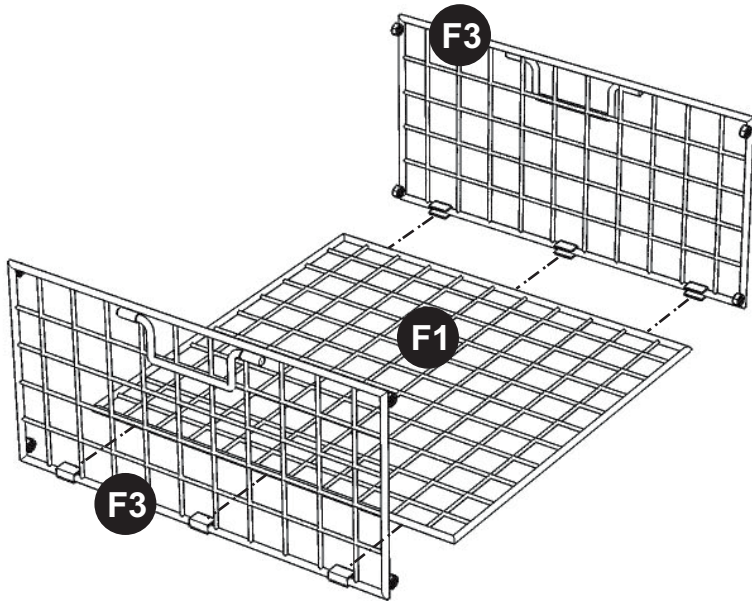


Figure 1

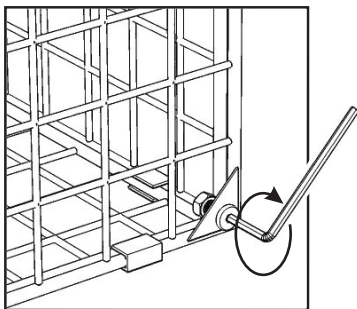
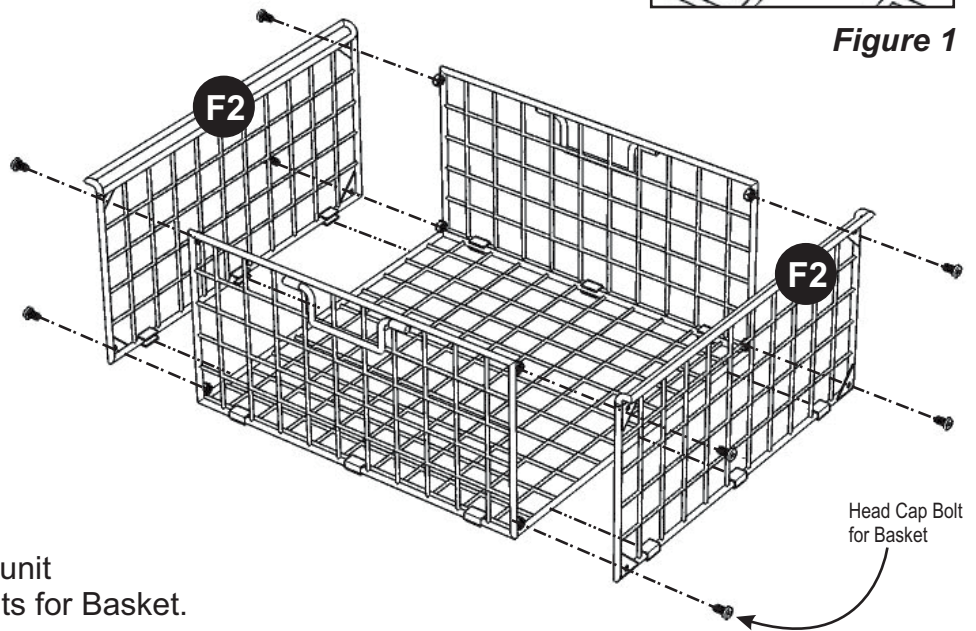


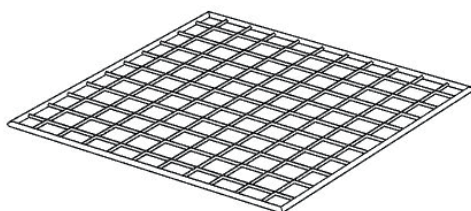
Figure 2



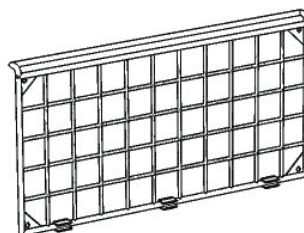
## STEP 2

Attach Basket Sides (F2) to unit with clips and Head Cap Bolts for Basket. (See Figure 2)

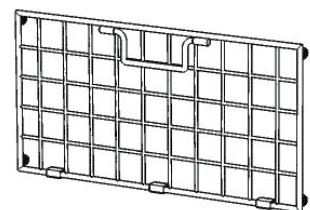
## Part List



**F1.**  
**Basket Bottom**  
6 pcs.



**F2.**  
**Basket Side**  
12 pcs.



**F3.**  
**Basket Front**  
12 pcs.