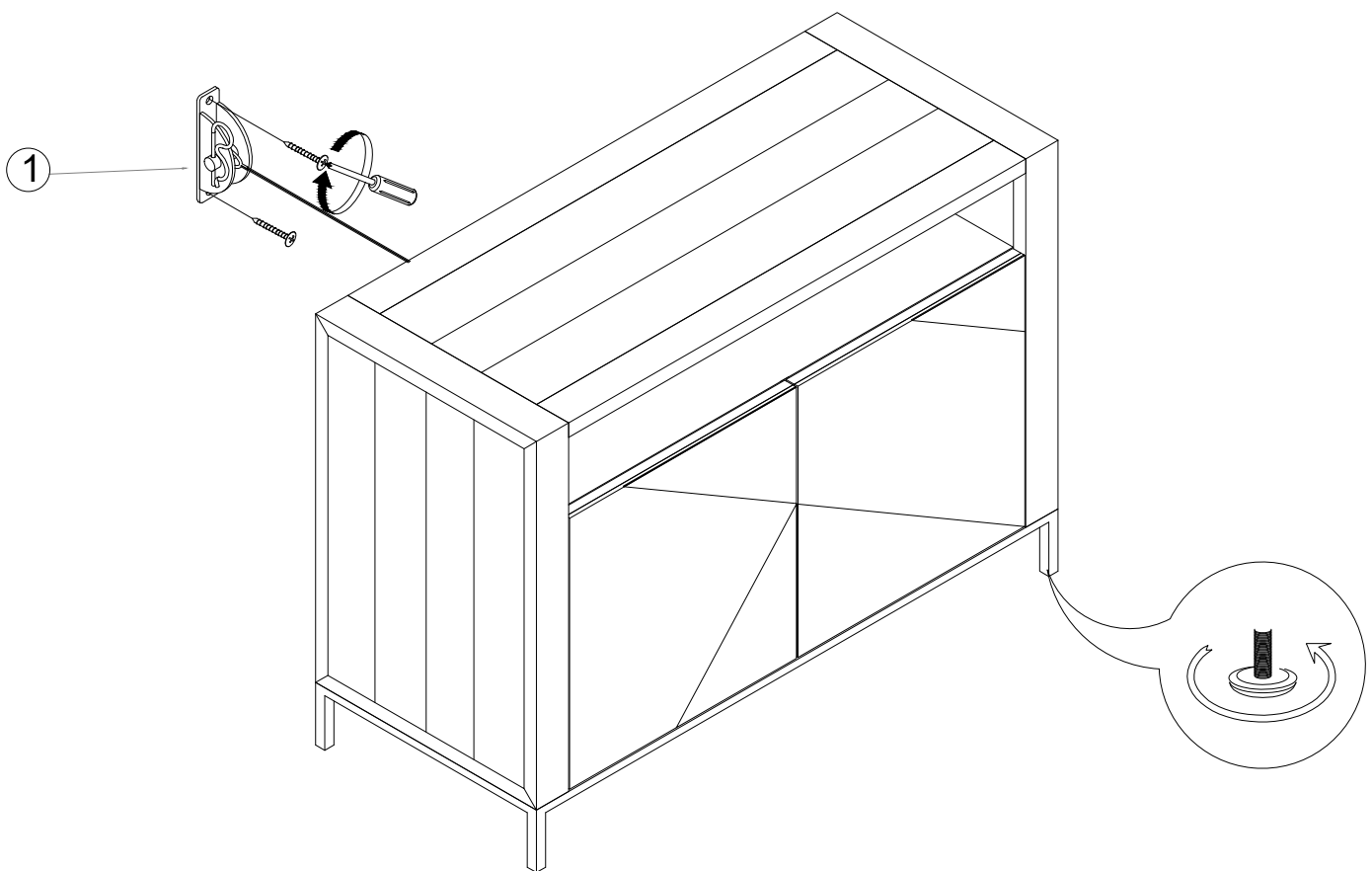


ASSEMBLY INSTRUCTIONS FOR 203/303-882

CONSOLE BASE

Thank you for purchasing Bernhardt Furniture. Be sure to check all packing materials carefully to ensure proper assembly.

Please read all instructions carefully before starting the assembly process. Some parts are large and heavy and require at least two people to assemble, to prevent possible injury and/or damage to the furniture.



ASSEMBLY INSTRUCTIONS.

1. Set item upright and level using adjustable levelers.
2. The use of the included tipping restraint may reduce, but not eliminate, the risk of furniture tip over. Follow the instructions on the plastic bag for proper installation (1).

CLEANING INSTRUCTIONS

Clean surfaces with a soft damp cloth. Dry immediately