

For Residential and Commercial Applications

Job Name		Engineer / Architect	
Job Location		Wholesaler	
Submittal Date		Contractor	

G2CP09X/19X 1/4 Turn Angle Stop Press Connect x Compression

Use: For use in potable water distribution systems in accessible locations only. Not intended for recirculation systems/continuous use temperatures above 115° F. For those applications, use our KT™ series ball stop.

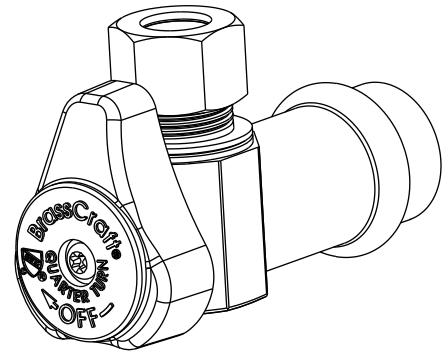
Design Features:

- **Chrome finish**
- **Fast, reliable, and secure** connection
- **Compatible with copper**
- **Easy-to-remove handle** protects against accidental operation during rough-ins
- **One-piece shut-off mechanism** provides smooth on-off operation without freeze ups even after long periods of non-use
- **Positive 1/4 turn shut-off** provides easy on/off flow control
- **100% leak tested**

Operating Specifications:

Temperature: 40° - 160° F

Pressure: 125 PSI maximum



STOP MATERIAL SPECIFICATIONS	
Body	Brass, plated
Ball	Brass, plated
Stem	Brass
Stem O-ring	EPDM
Seats	PTFE
Press Connect O-ring	EPDM
Handle	ABS, plated
Screw	Stainless steel
Compression Nut	Brass, plated
Compression Sleeve	Brass

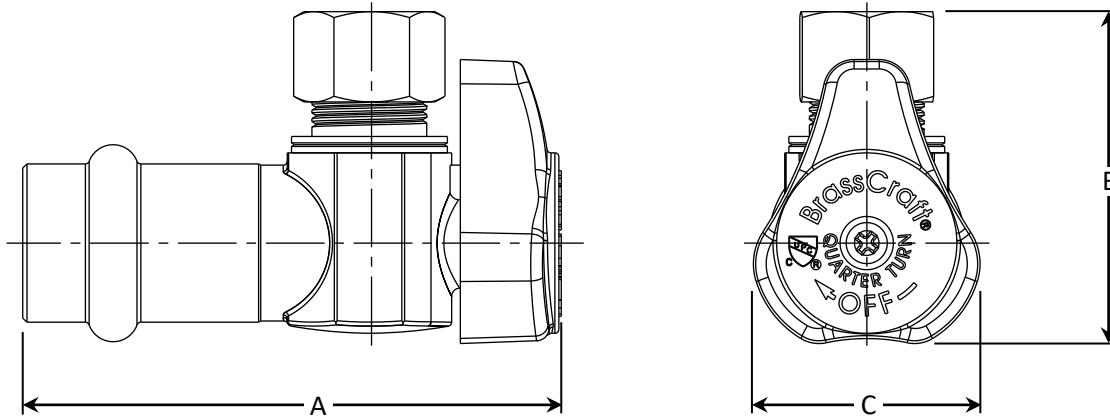
Part Listing:

- G2CP09X C1 1/2" nom press connect x 1/4" OD compression, chrome plated, window tray
- G2CP19X C1 1/2" nom press connect x 3/8" OD compression, chrome plated, window tray

PART DIMENSIONS (Inches)			
Model	DIM. A	DIM. B	DIM. C
G2CP09X	2.57	1.70	1.09
G2CP19X	2.57	1.59	1.09

This specification and all information contained herein is the confidential and exclusive property of BrassCraft Manufacturing Company and shall not be disclosed to others without the written consent of BrassCraft. This specification must be returned to BrassCraft if requested.

G2CP09X/19X 1/4 Turn Angle Stop Press Connect x Compression



Listings & Certifications:

- IAPMO listed to ASME A112.18.1 / CSA B125.1 (includes NSF/ANSI 372 and NSF/ANSI/CAN 61)

NSF/ANSI/
CAN61:Q≤0.5



This specification and all information contained herein is the confidential and exclusive property of BrassCraft Manufacturing Company and shall not be disclosed to others without the written consent of BrassCraft. This specification must be returned to BrassCraft if requested.

400.354_G2CP09X/19X_PressConnect Stops_Compr Outlet_REV 9.23

BrassCraft®

©2023 BrassCraft Manufacturing Company