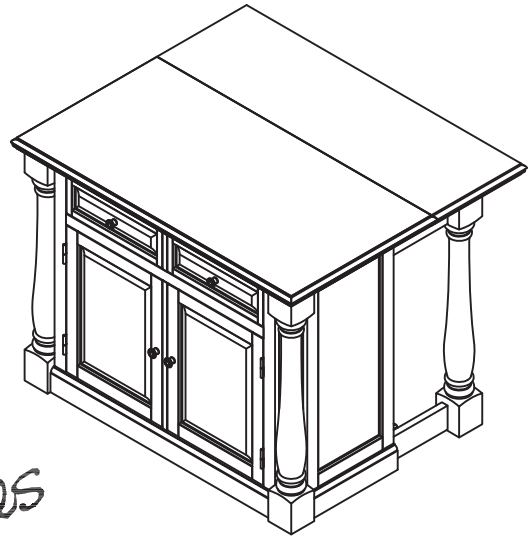


# 88 5008 943

## Monarch Kitchen Island with Wood Top



Home  
Styles

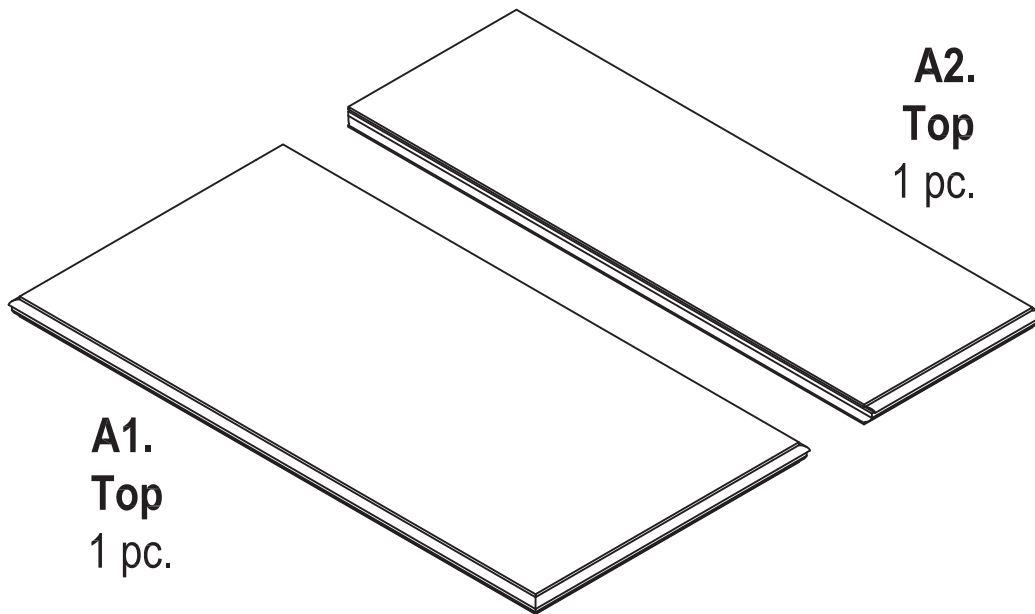
### IMPORTANT NOTE

Carefully remove all the parts from the carton and put them individually on a soft cloth to prevent scratches or other damages occurring to the parts.

We have taken great care in the design of this product and request that you carefully and strictly follow our assembly instructions to ensure a completed product as it was designed.

Patent 8,584,600 B2

## Part List



## Hardware List



3/4" Flat Head Screw  
12 pcs. (+1 extra)

For assembly see instructions in carton  
88 5008 941 or 88 5020 941

**Home Styles Consumer Assistance:** [www.homestyles-furniture.com](http://www.homestyles-furniture.com),  
[servicedesk@homestyles-furniture.com](mailto:servicedesk@homestyles-furniture.com), 888-680-7460, 877-831-0319