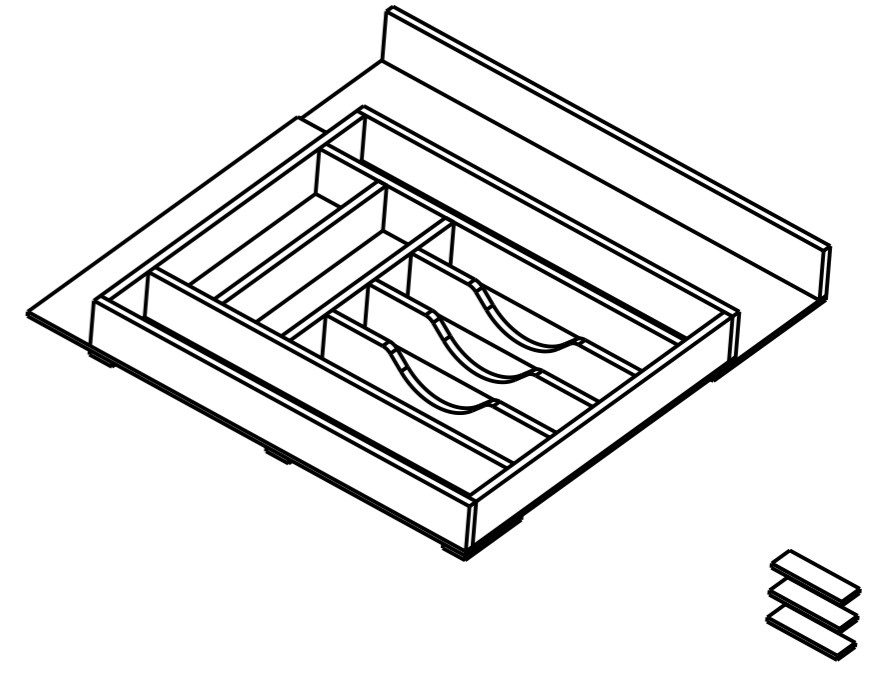
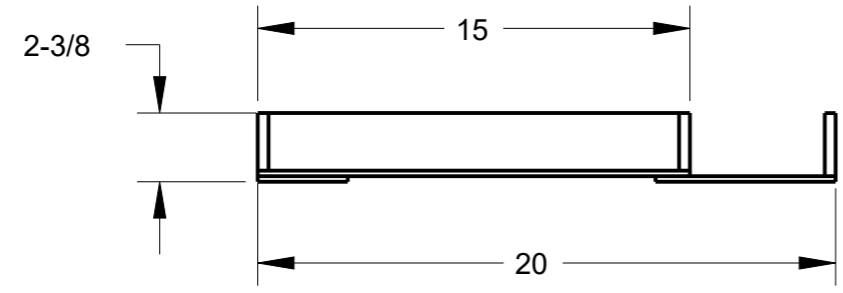
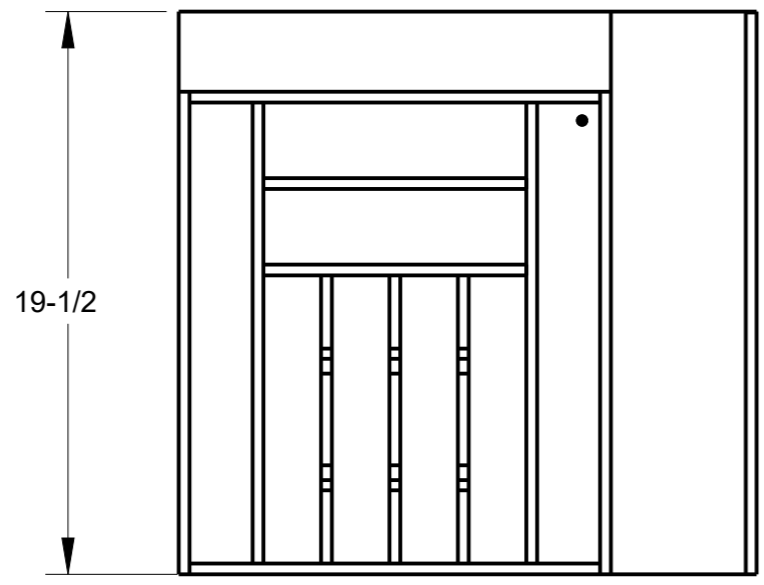


8 7 6 5 4 3 2 1

F  
E  
D  
C  
B  
A



F  
E  
D  
C  
B  
A



HARDWARE RESOURCES RESERVES THE RIGHT TO CHANGE SPECIFICATIONS WITHOUT NOTICE. IN CASE OF A DISCREPANCY, ACTUAL PART GEOMETRY SUPERSEDES THIS DOCUMENT.

THE INFORMATION CONTAINED WITHIN THIS DRAWING IS THE SOLE PROPERTY OF HARDWARE RESOURCES INC. ANY REPRODUCTION IN PART OR WHOLE WITHOUT WRITTEN PERMISSION OF HARDWARE RESOURCES INC. IS PROHIBITED.

DOCUMENT STATUS **Released**

UNLESS OTHERWISE SPECIFIED DIMENSIONS ARE IN INCHES (IN)

MATERIAL	FINISH
WOOD	UV COATED

THIRD ANGLE PROJECTION	DATE
	11AUG2023

DESCRIPTION

ADJUSTABLE MODERN CUTLERY DRAWER INSERT, 15-20in

DRAWING NUMBER		REV
CO21A		<b>A</b>
SIZE	SCALE	SHEET
A3	0.150	1 / 1

8 7 6 5 4 3 2 1