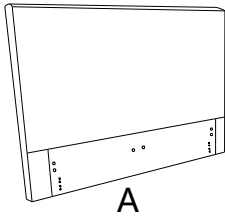


# OLIVIA FULL/QUEEN BED ASSEMBLY INSTRUCTIONS



## BOX#1

- A. HEADBOARD 1 PC
- B. HEADBOARD LEG 2 PCS



A



B

## HARDWARE PACKED IN BOX#2

1	ALLEN BOLT(5/16"x1")		4 PCS
2	ALLEN BOLT(5/16"x2-1/2")		4 PCS
3	FLAT WASHER(5/16")		12 PCS
4	LOCK WASHER(5/16")		8 PCS
5	WASHER(2")		4 PCS
6	WRENCH(5/16")		1 PC
7	ALLEN KEY(5/16")		1 PC
8	HEX NUT(5/16"x12)		4 PCS

## BOX#2

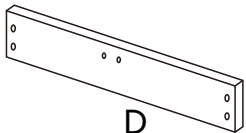
- B. FOOTBOARD LEG 2 PCS
  - C. SIDE RAIL 2 PCS
  - D. FOOTBOARD 1 PC
  - E. SLAT 26 PCS
  - F. CENTER SLAT SUPPORT 1 PC
  - G. SIDE RAIL SLAT CLIP 26 PCS
  - H. CENTER SUPPORT SLAT CLIP 13 PCS
  - I. SLAT SUPPORT LEG 2 PCS
- HARDWARE SET



B



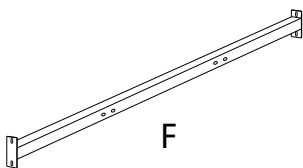
C



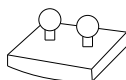
D



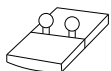
E



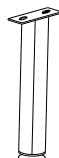
F



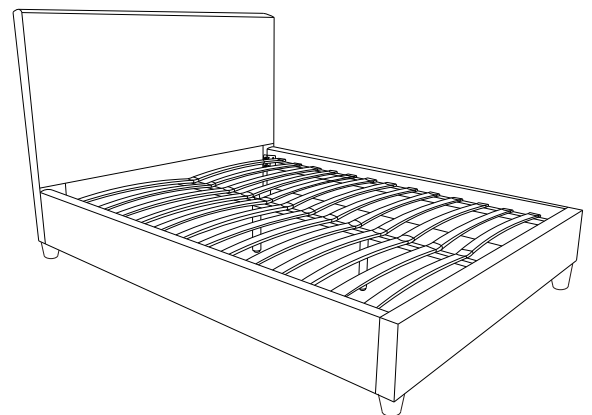
G



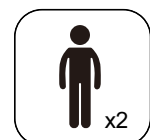
H



I



UPDATED: MAY 5TH, 2021



x2

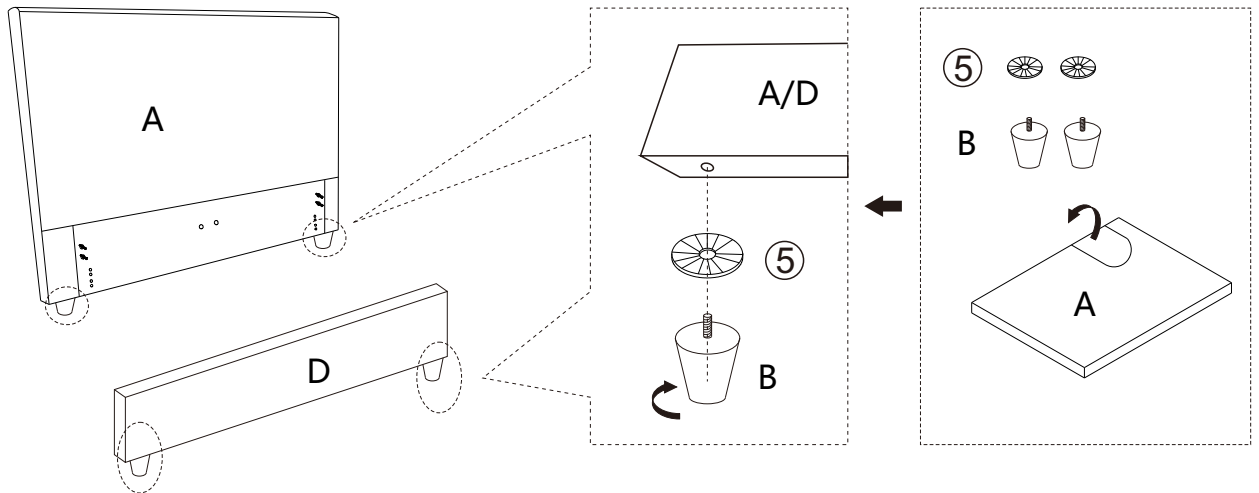


00:30

# OLIVIA FULL/QUEEN BED ASSEMBLY INSTRUCTIONS

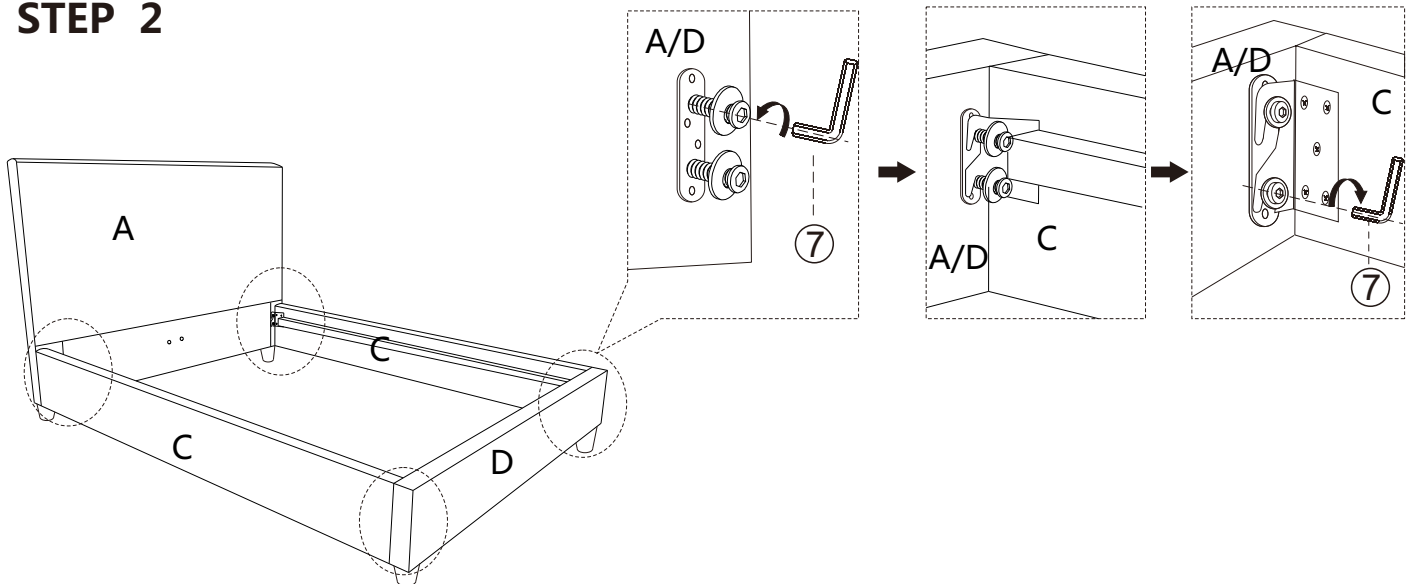


## STEP 1



NOTE: USE FOOTBOARD LEG (B) PACKED IN BOX #2 FOR ASSEMBLY TO FOOTBOARD (D).

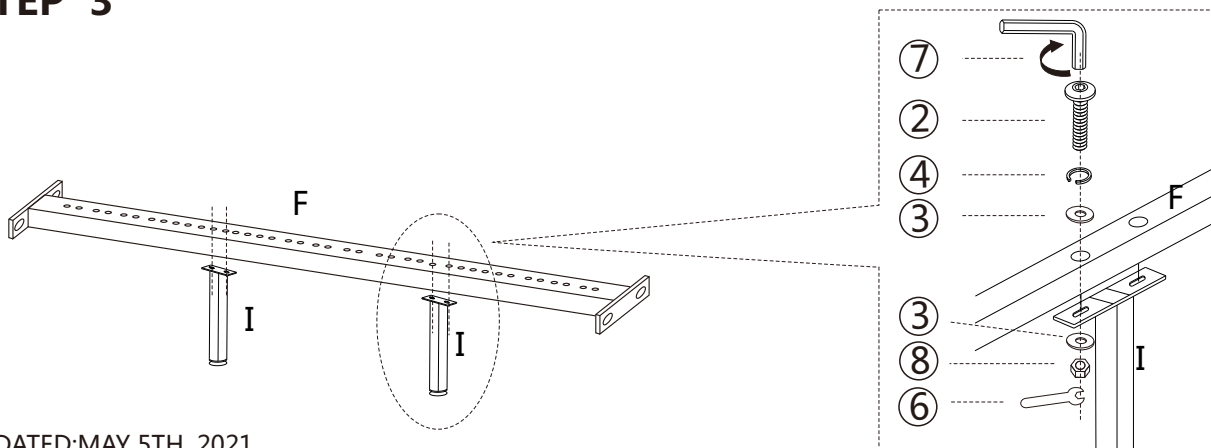
## STEP 2



### STOP

- IF USING BED WITH AN ADJUSTABLE MATTRESS BASE, SKIP STEPS 3, 4, 5, & 6 AND REFERENCE APPENDIX A: ADJUSTABLE MATTRESS BASE ASSEMBLY SUPPLEMENT.
- IF USING BED FRAME WITH STANDARD BOX SPRING OR FOUNDATION, CONTINUE TO STEP 3.

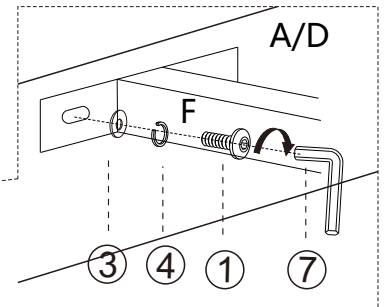
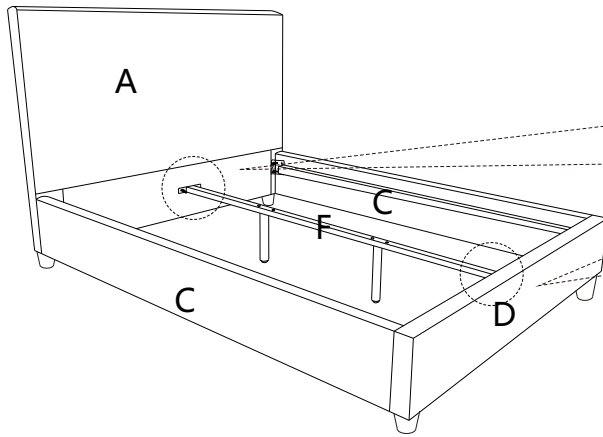
## STEP 3



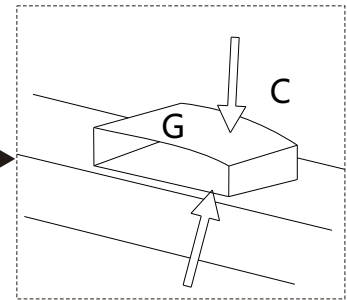
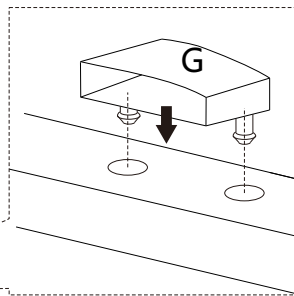
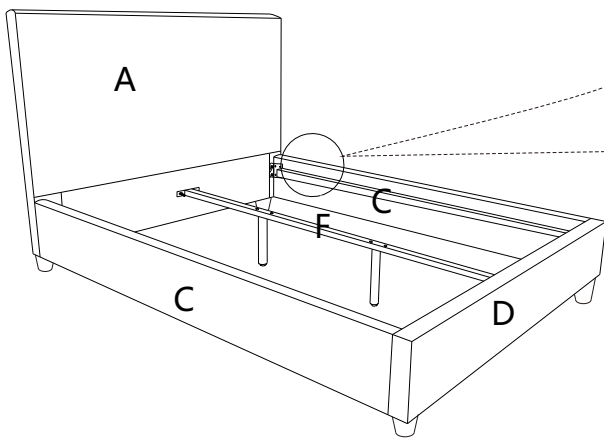
# OLIVIA FULL/QUEEN BED ASSEMBLY INSTRUCTIONS



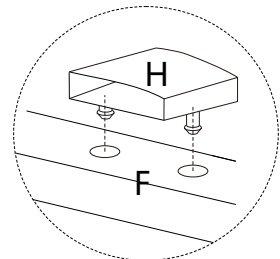
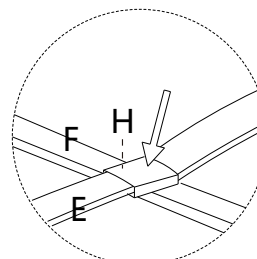
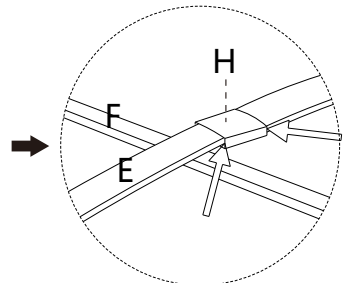
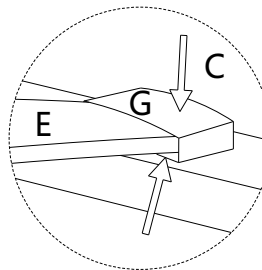
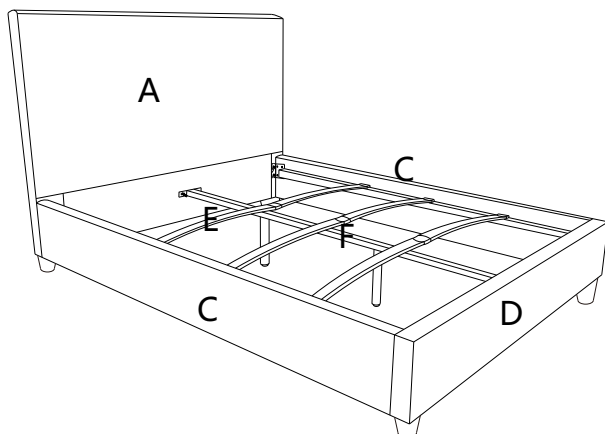
## STEP 4



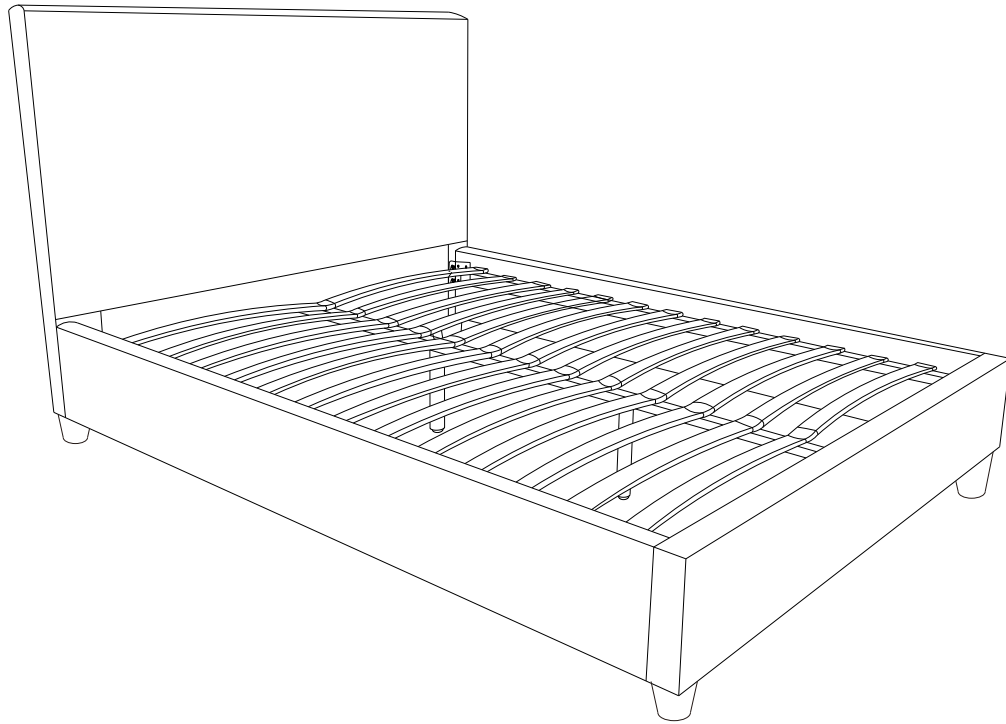
## STEP 5



## STEP 6



# OLIVIA FULL/QUEEN BED ASSEMBLY INSTRUCTIONS



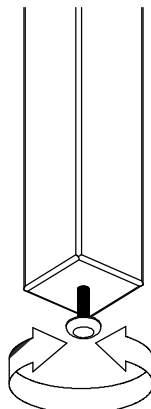
## ASSEMBLY COMPLETE.

### INSTRUCTIONS FOR ADJUSTING LEVELERS:

POSITION THE BED IN YOUR ROOM.  
LOCATE LEVELERS UNDER EACH  
SUPPORT LEG ( I ).

TURN COUNTER-CLOCKWISE TO  
EXTEND, CLOCKWISE TO RETRACT.

ADJUST LEVELERS UNTIL EACH LEG  
SUPPORT IS APPLYING EQUAL UPWARD  
PRESSURE ON THE CENTER SLAT.



### MAINTENANCE INSTRUCTIONS:

- REMOVE BOX SPRING AND MATTRESS BEFORE MOVING YOUR BED.
- LIFT YOUR BED WHEN MOVING IT. DRAGGING CAN DAMAGE CENTER SUPPORT.
- READJUST LEVELERS AFTER MOVING YOUR BED.

# OLIVIA FULL/QUEEN BED ASSEMBLY INSTRUCTIONS



## APPENDIX A:ADJUSTABLE MATTRESS BASE ASSEMBLY SUPPLEMENT

AN ADJUSTABLE MATTRESS BASE IS A FREESTANDING MATTRESS SUPPORT THAT SITS WITHIN THE PERIMETER OF THE BED FRAME.

IF USING THIS BED FRAME WITH A STANDARD BOX SPRING OR FOUNDATION THESE INSTRUCTIONS DO NOT APPLY.

PRE-ASSEMBLED SIDE RAIL CLEATS OBSTRUCT ADJUSTABLE BASE INSTALLATION AND OPERATION. FOLLOW THESE INSTRUCTIONS TO REMOVE THEM.

### **WARNING!**

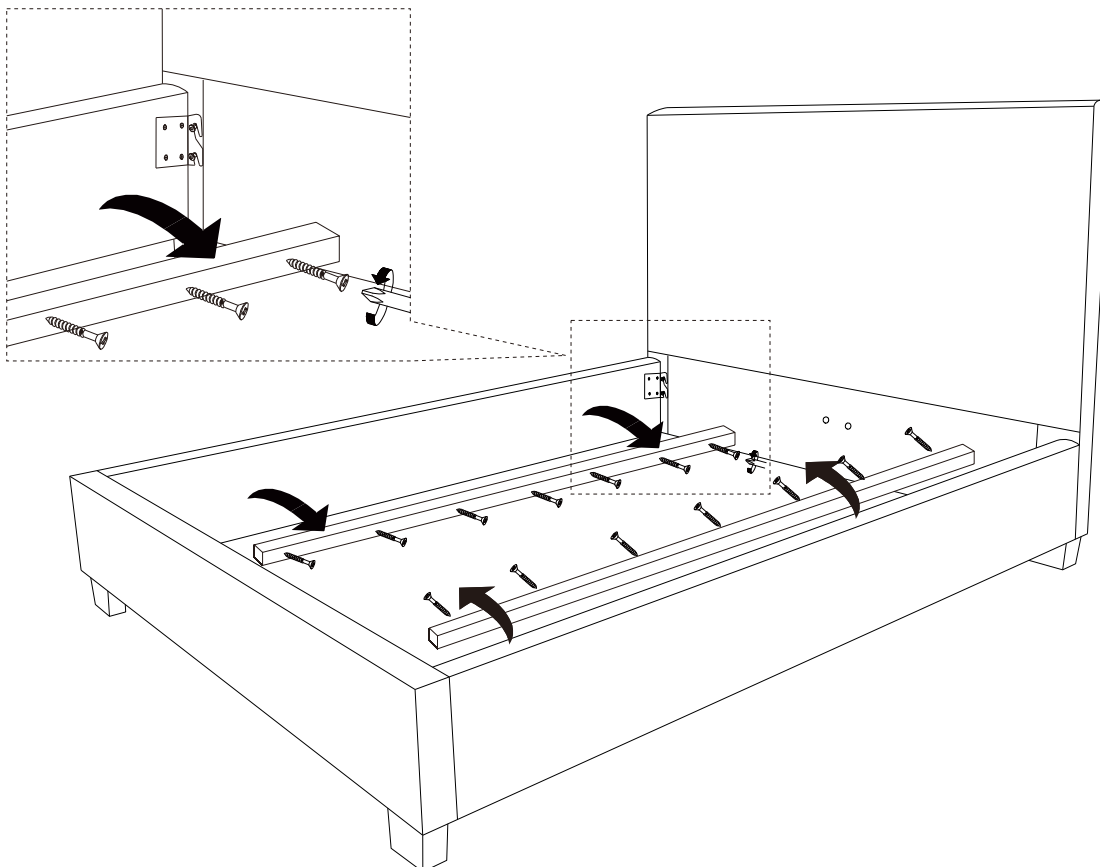
SIDE RAIL CLEATS ARE HELD IN PLACE USING PHILLIPS HEAD SCREWS. ONCE THEY ARE REMOVED THE USER WILL NOT BE ABLE TO SAFELY RE-INSTALL THE SIDE RAIL CLEATS FOR FUTURE USE WITH A STANDARD BOX SPRING OR FOUNDATION.

### **THE FOLLOWING PARTS ARE NOT REQUIRED FOR ADJUSTABLE MATTRESS BASE INSTALLATION:**

F. CENTER SLAT SUPPORT	1 PC
E. SLAT	26 PCS
G. SIDE RAIL SLAT CLIP	26 PCS
H. CENTER SUPPORT SLAT CLIP	13 PCS
I. CENTER SUPPORT LEG	2 PCS

### **STEP 1 :**

USE A PHILLIPS HEAD SCREWDRIVER (NOT PROVIDED) TO UNSCREW THE PHILLIPS SCREWS AND REMOVE THE PRE-ASSEMBLED SIDE RAIL CLEATS.

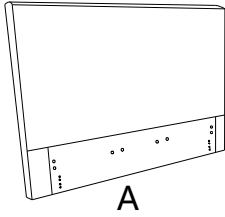


# OLIVIA KING BED ASSEMBLY INSTRUCTIONS



## BOX#1

- A. HEADBOARD 1 PC
- B. HEADBOARD LEG 2 PCS



A



B

## HARDWARE PACKED IN BOX#2

1	ALLEN BOLT(5/16"x1")		8 PCS
2	ALLEN BOLT(5/16"x2-1/2")		8 PCS
3	FLAT WASHER(5/16")		24 PCS
4	LOCK WASHER(5/16")		16 PCS
5	WASHER(2")		4 PCS
6	WRENCH(5/16")		1 PC
7	ALLEN KEY(5/16")		1 PC
8	HEX NUT(5/16"x12)		8 PCS

## BOX#2

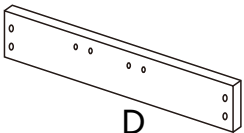
- B. FOOTBOARD LEG 2 PCS
  - C. SIDE RAIL 2 PCS
  - D. FOOTBOARD 1 PC
  - E. SLAT 39 PCS
  - F. CENTER SLAT SUPPORT 2 PCS
  - G. SIDE RAIL SLAT CLIP 26 PCS
  - H. CENTER SUPPORT SLAT CLIP 26 PCS
  - I. SLAT SUPPORT LEG 4 PCS
- HARDWARE SET



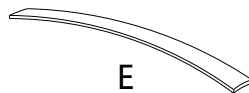
B



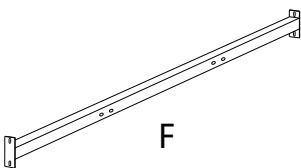
C



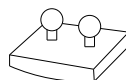
D



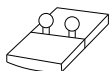
E



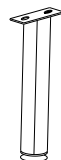
F



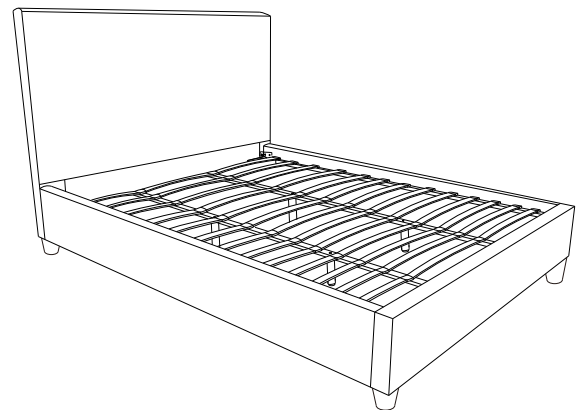
G



H



I



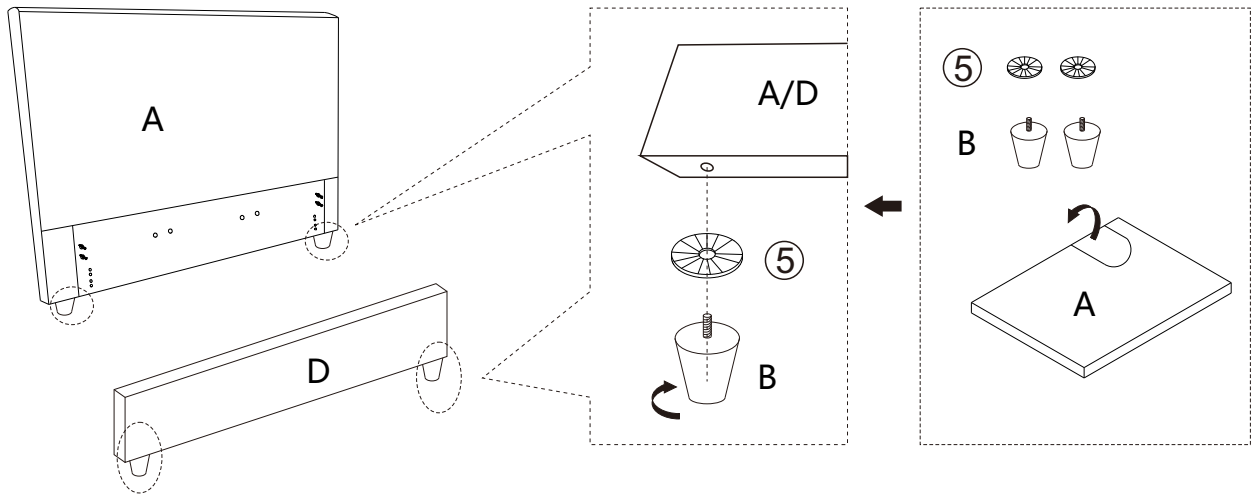
UPDATED: MAY 5TH, 2021



# OLIVIA KING BED ASSEMBLY INSTRUCTIONS

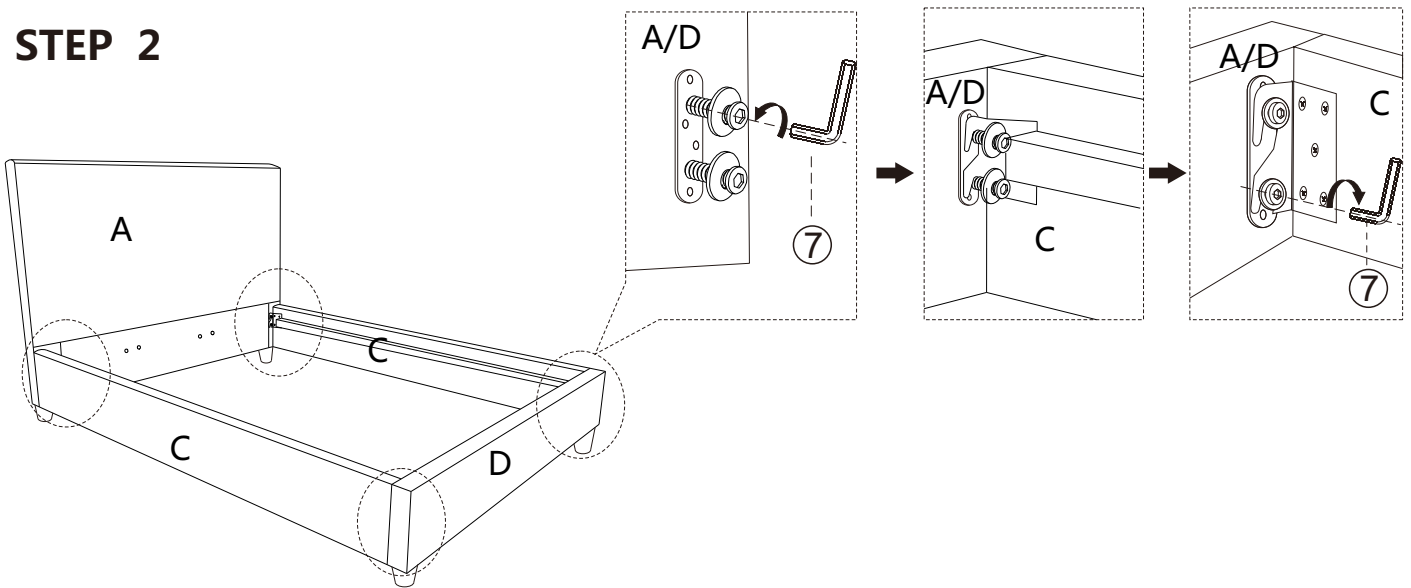


## STEP 1

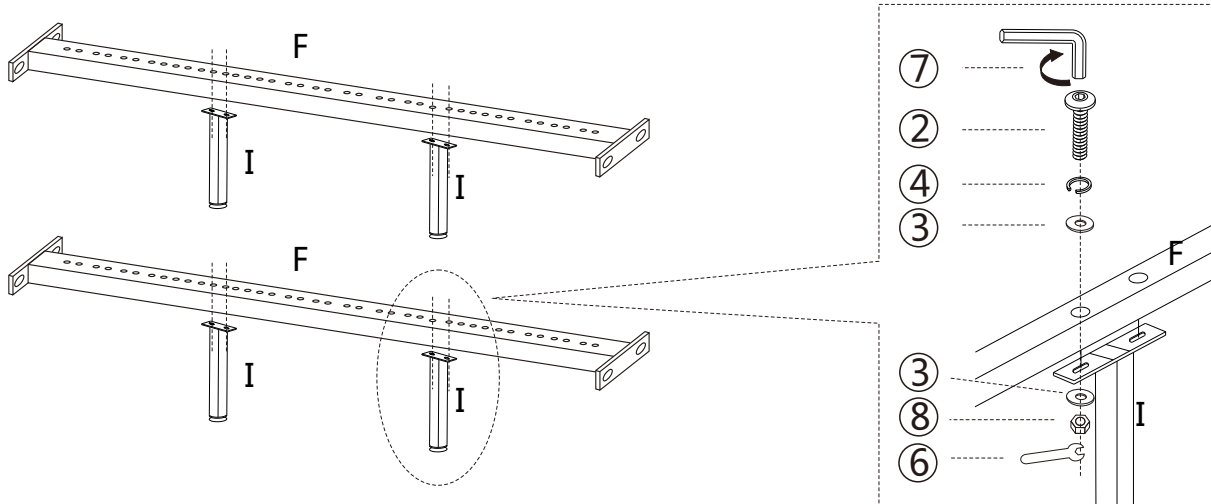


NOTE: USE FOOTBOARD LEG (B) PACKED IN BOX #2 FOR ASSEMBLY TO FOOTBOARD (D).

## STEP 2



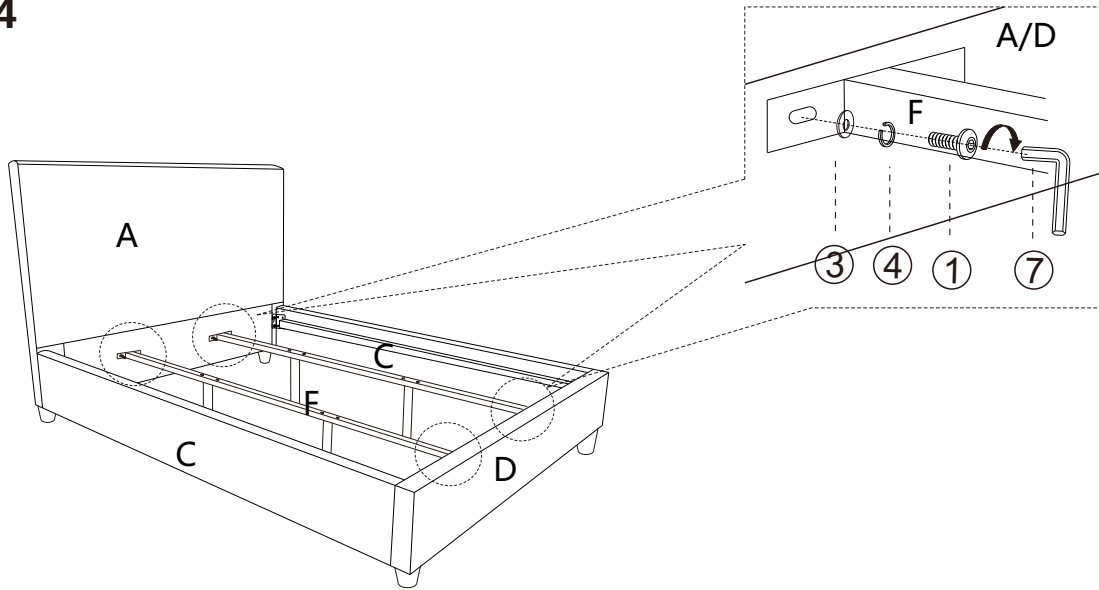
## STEP 3



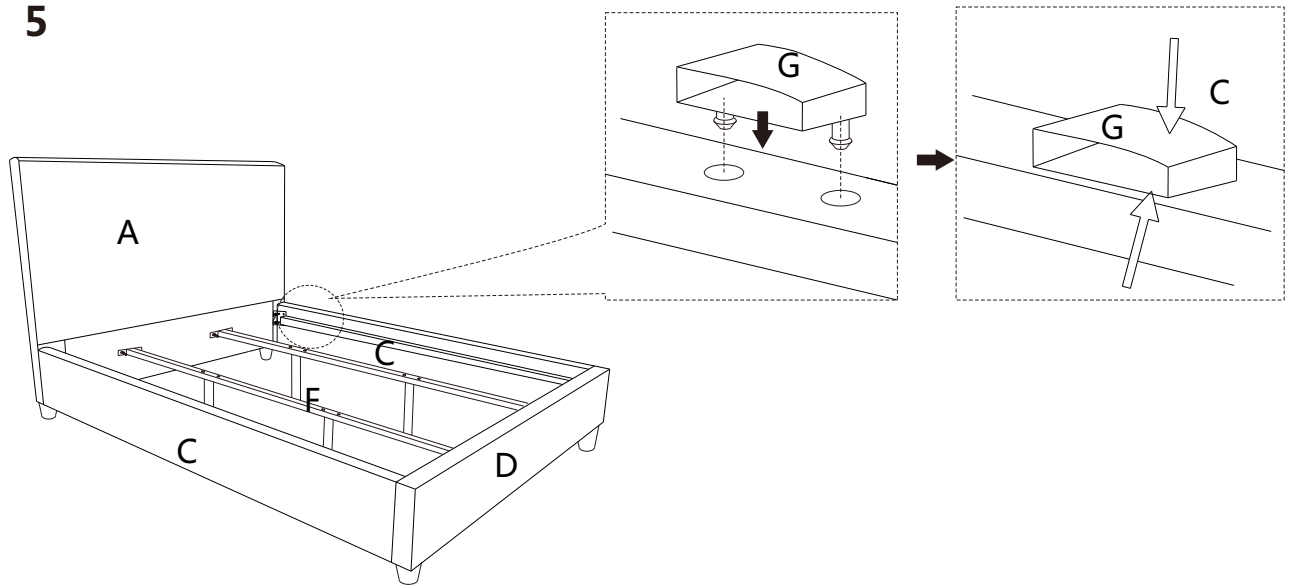
# OLIVIA KING BED ASSEMBLY INSTRUCTIONS



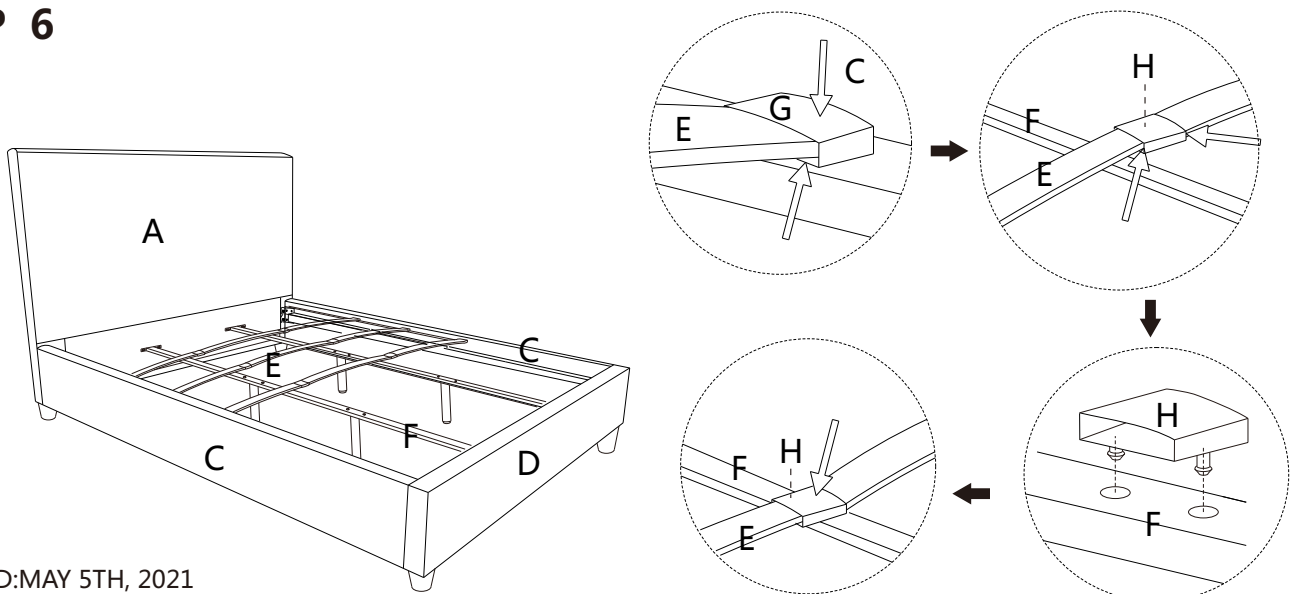
## STEP 4



## STEP 5

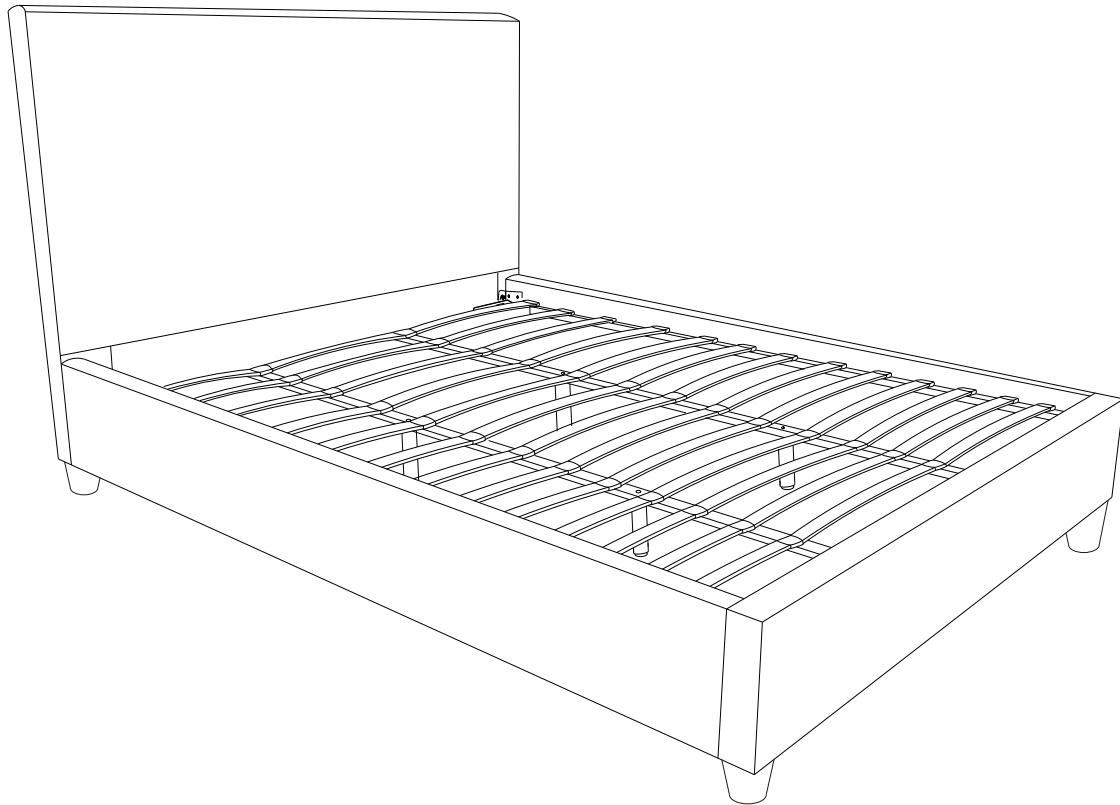


## STEP 6





# OLIVIA KING BED ASSEMBLY INSTRUCTIONS



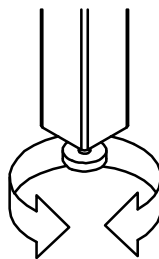
**ASSEMBLY COMPLETE.**

## INSTRUCTIONS FOR ADJUSTING LEVELERS:

Position the bed in your space and locate the leveler under each support leg (I).

Turn the leveler counter-clockwise to extend the leveler and clockwise to retract it.

Adjust each leveler until each support leg is applying equal, upward pressure on the bed support slat.



## MAINTENANCE INSTRUCTIONS:

- Remove box spring and mattress before moving your bed.
- Lift your bed when moving it. Dragging can damage the support leg.
- Readjust levelers after moving your bed.