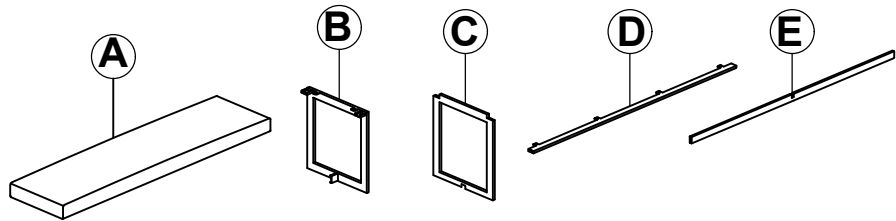


# ELIZA DINING BENCH ASSEMBLY INSTRUCTIONS



## PARTS PACKING CONFIGURATIONS

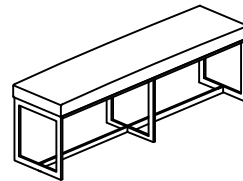
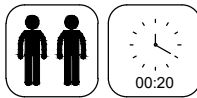
- A. SEAT 1 PC
- B. SIDE LEG FRAME 2 PCS
- C. MIDDLE LEG FRAME 1 PC
- D. TOP STRETCHER 2 PCS
- E. BOTTOM STRETCHER 1 PC



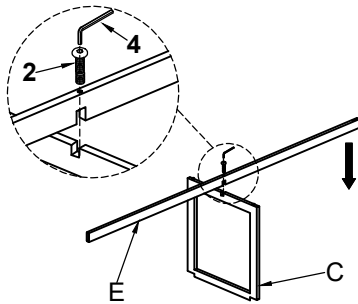
### HARDWARE ENCLOSED IN CARTON

No	Description	Photo	Quantity
1	ALLEN BOLT (1/4" x 1/2")		24 PCS
2	ALLEN BOLT (1/4"x1-1/4")		3 PCS
3	FLAT WASHER (1/4")		22 PCS
4	ALLEN KEY (4MM)		1 PC

### ELIZA DINING BENCH FULLY ASSEMBLED

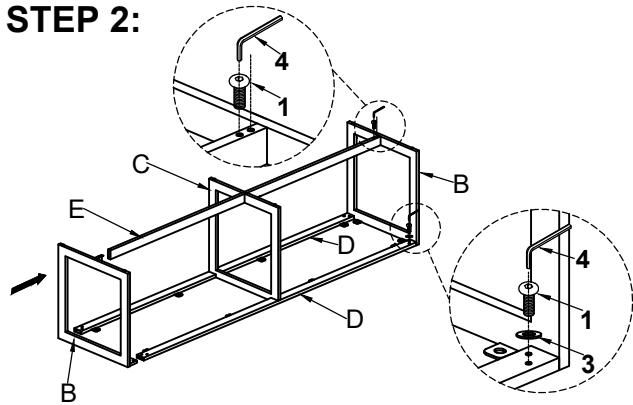


### STEP 1:



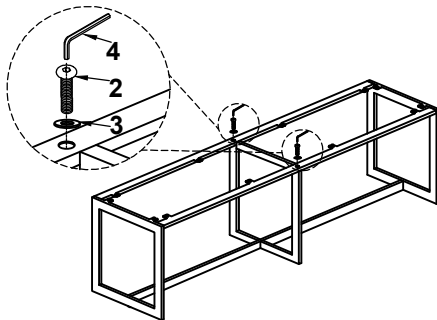
DO NOT TIGHTEN BOLTS COMPLETELY

### STEP 2:



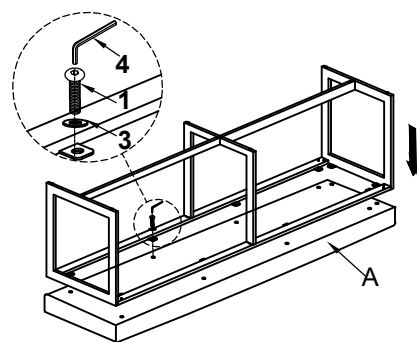
DO NOT TIGHTEN BOLTS COMPLETELY

### STEP 3:

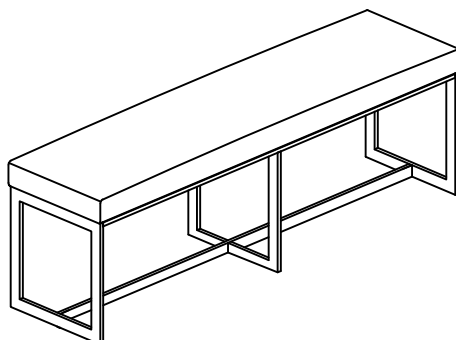


DO NOT TIGHTEN BOLTS COMPLETELY

### STEP 4:



PLEASE FULLY TIGHTEN ALL ASSEMBLY BOLTS WITH PROVIDED ALLEN KEY



FULLY ASSEMBLED