

# ASSEMBLY INSTRUCTION



ITEM: 5878-90017-80 Bachelors Chest

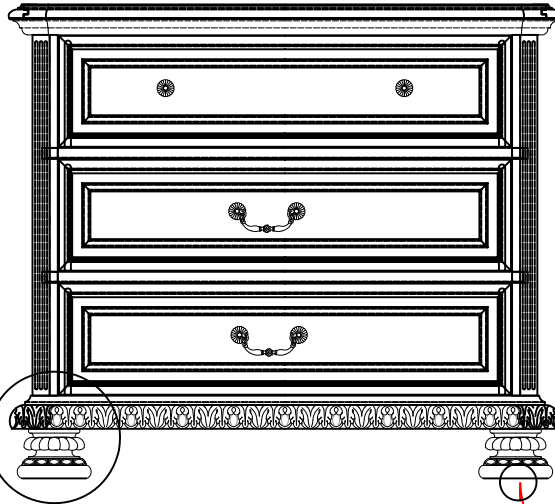
Thank you for purchasing this quality product. Be sure to unpack carefully looking for small parts which may have come loose during shipment.

Read all instruction and study the drawing carefully before starting the assembly process.

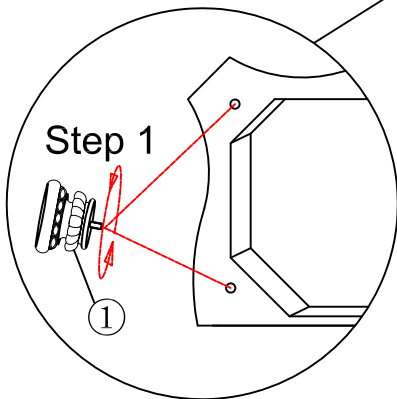
## Hardware Pack

## Part List

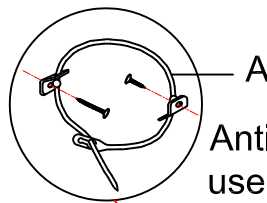
| NO. | DRAWING   | DESCRIPTION    | Q'TY | NO. | DRAWING   | DESCRIPTION | Q'TY |
|-----|---|----------------|------|-----|---|-------------|------|
| A   |  | Anti - Tip Kit | 1PC  | 1   |  | Bun Foot    | 4PCS |



Step 2: Adjust Leveler if needed to level case on uneven floor.



### Tipping Restraint



Anti-tip kit is included for use. We recommend installing for safety reason.

