

# ELEMENT RTA PLATFORM BED

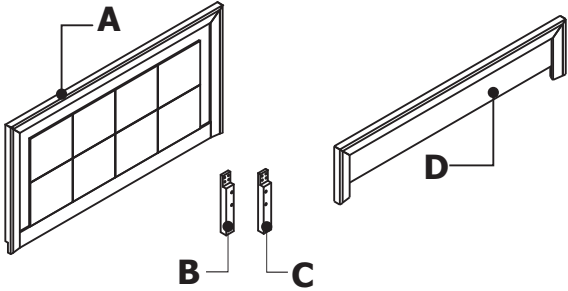
FULL/QUEEN/E-KING SIZE  
ASSEMBLY INSTRUCTIONS



## PARTS AND FITTING PACKAGING DETAIL

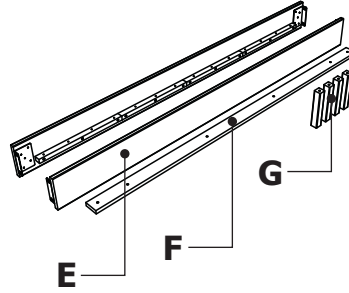
### BOX #1

- A. HEADBOARD PANEL 1 PC
- B. HEADBOARD LEG - LEFT 1 PC
- C. HEADBOARD LEG - RIGHT 1 PC
- D. FOOTBOARD 1 PC
- HARDWARE BOX



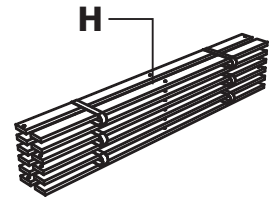
### BOX #2

- E. SIDERAILS 2 PCS
- F. CENTER SLAT 1 PC
- G. CENTER LEG 4 PCS
- HARDWARE BOX

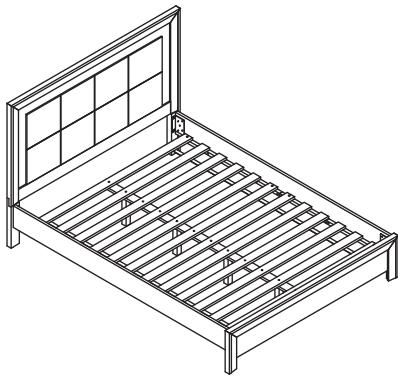


### BOX #3

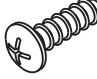

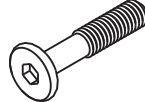

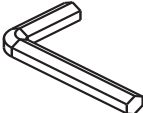
- H. BED SLATS 12 PCS



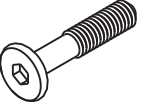

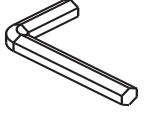
### ELEMENT PLATFORM BED ASSEMBLED



### HARDWARE PACKED IN BOX #2

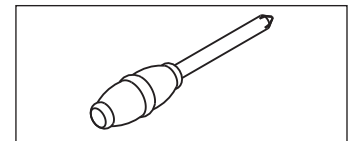
1	PHILLIPS HEAD BOLT 20MM	8 PCS	2	WASHERS 8MM	8 PCS	3	ALLEN BOLT 40MM	10 PCS
								
4	WOOD SCREW Ø8X30MM	8 PCS	5	ALLEN KEY	1 PC			
				<b>YOUR BOX MAY CONTAIN EXTRA HARDWARE</b>				

### HARDWARE\* PACKED IN BOX #1

1	ALLEN BOLTS 30MM	8 PCS	2	SPRING WASHER	8 PCS	3	ALLEN KEY	1 PC
								

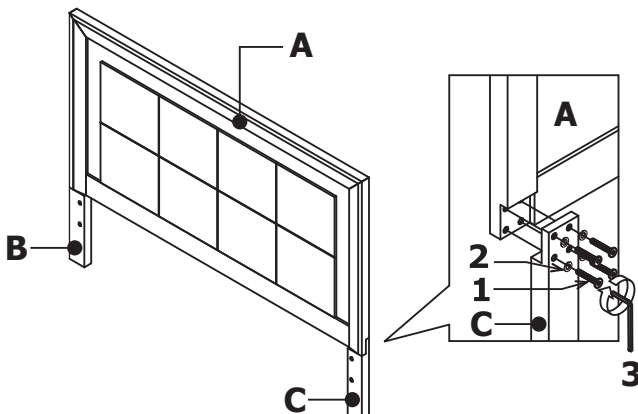
### TOOL REQUIRED :

PHILLIPS HEAD SCREW DRIVER (NOT PROVIDED)



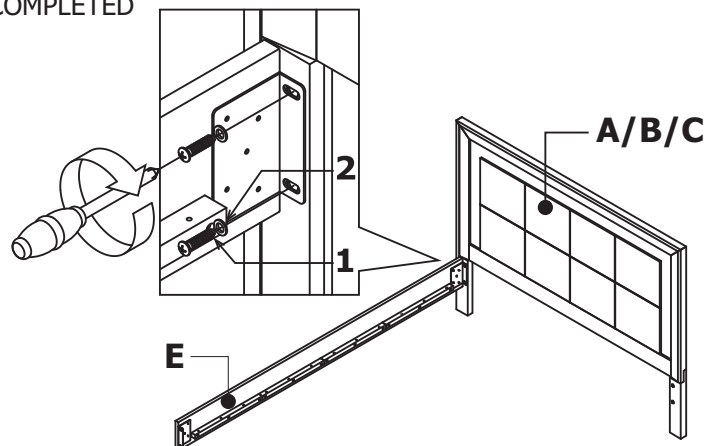
### STEP 1 :

FOLLOW THE ILLUSTRATION, PUT THE ALLEN BOLT IN THE PREDILLED HOLE ARE TURNING TO UNIFY THE HEADBOARD LEG (B/C) TO THE HEADBOARD PANEL (A)  
\*FOR STEP 1 USE HARDWARE PACKED IN BOX #1



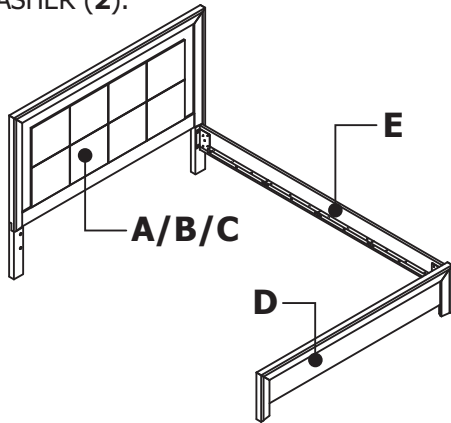
### STEP 2 :

FIX ONE OF THE SIDERAILS (E) TO THE HEADBOARD ASSY (A/B/C) USING PHILLIPS HEAD BOLTS(1) AND WASHERS(2). DO NOT TIGHTEN BOLTS COMPLETELY UNTIL ASSEMBLY IS COMPLETED



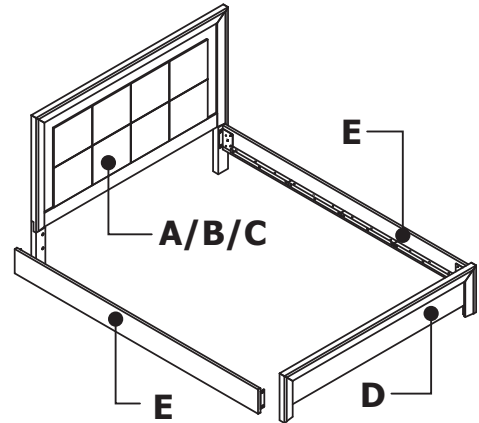
## STEP 2 :

FIX THE OTHER END OF THE SIDERAIL (E) TO THE FOOTBOARD (D) USING PHILLIPS HEAD BOLTS (1) AND WASHER (2).



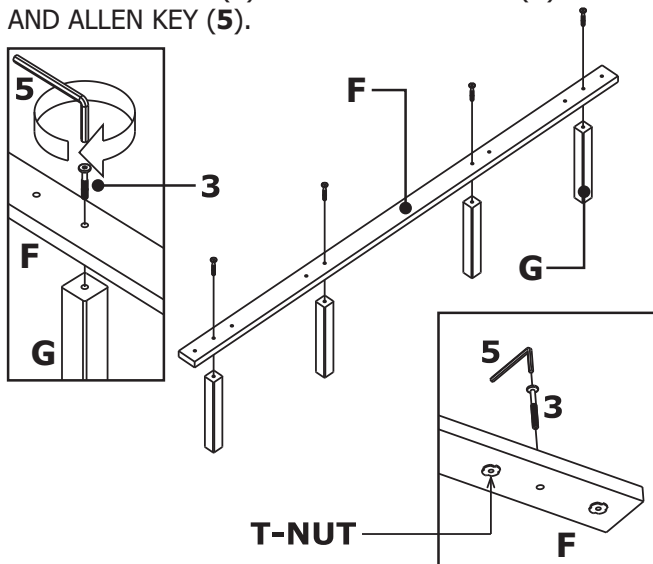
## STEP 3 :

REPEAT THE SAME WAYS FIX THE OTHER SIDERAIL (E) TO THE HEADBOARD ASSY (A/B/C) AND FOOTBOARD (D).



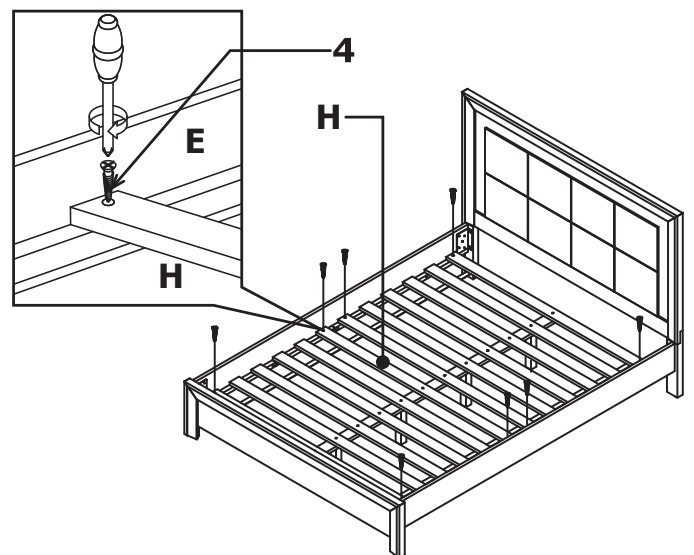
## STEP 4 :

ARRANGE CENTER SLAT (F) SO THAT T-NUTS ARE FACING THE FLOOR. SLIDE ALLEN BOLTS (3) FROM TOP OF CENTER SLAT (F) INTO THE 2ND, 5TH, 6TH, AND 9TH PREDRILLED HOLES. FIX CENTER LEGS (G) TO CENTER SLAT (F) USING ALLEN BOLTS (3) AND ALLEN KEY (5).



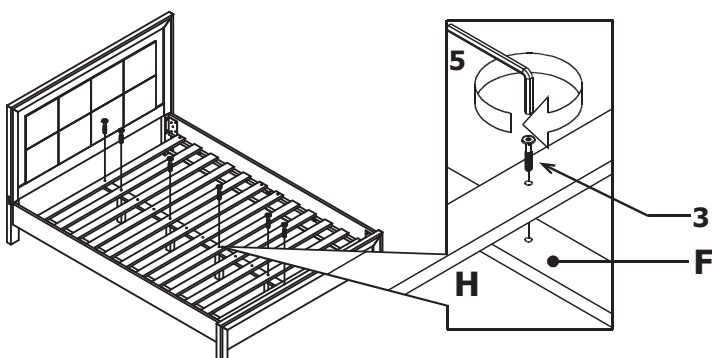
## STEP 5 :

SPREAD BED SLATS (H) ON BED FRAME. FIX 1ST, 6TH, 7TH, AND 12TH BED SLATS TO BED FRAME USING WOOD SCREWS (4). USE PILOT HOLES ON SIDERAILS (E) AS REFERENCE FOR CORRECT PLACEMENT.



## STEP 6 :

SLIDE CENTER SLAT (F) UNDER BED SLATS (H). SLIDE ALLEN BOLTS (3) FROM TOP OF BED SLATS (H) THROUGH PRE-DRILLED HOLES ON 1ST, 2ND, 5TH, 8TH, 11TH AND 12TH BED SLATS. TIGHTEN ALLEN BOLTS (3) WITH ALLEN KEY (5) TO SECURE BED SLATS (H) TO CENTER SLAT (F).

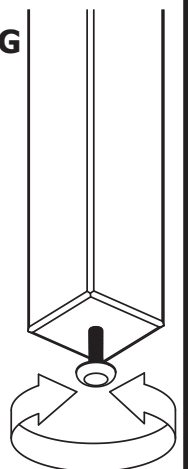


## INSTRUCTIONS FOR ADJUSTING LEVELERS:

POSITION THE BED IN YOUR ROOM LOCATE LEVELERS UNDER EACH CENTER LEG (G).

TURN COUNTER-CLOCKWISE TO EXTEND, CLOCKWISE TO CONTRACT.

ADJUST LEVELERS UNTIL EACH LEG IS APPLYING EQUAL UPWARD PRESSURE ON THE CENTER SLAT.



## MAINTENANCE INSTRUCTIONS:

- REMOVE BOX SPRING AND MATTRESS BEFORE MOVING YOUR BED.
- LIFT YOUR BED WHEN MOVING IT. DRAGGING CAN DAMAGE CENTER SUPPORT.
- READJUST LEVELERS AFTER MOVING YOUR BED.

# ELEMENT RTA PLATFORM BED

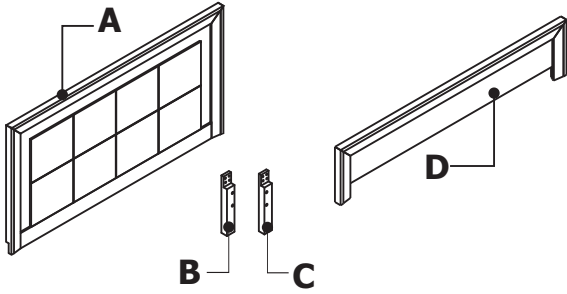
## C-KING SIZE ASSEMBLY INSTRUCTIONS



### PARTS AND FITTING PACKAGING DETAIL

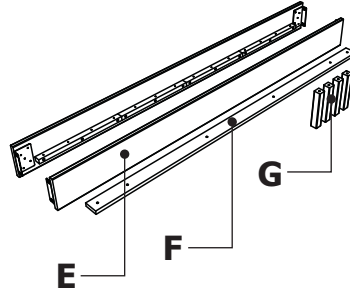
#### BOX #1

- A. HEADBOARD PANEL 1 PC
- B. HEADBOARD LEG - LEFT 1 PC
- C. HEADBOARD LEG - RIGHT 1 PC
- D. FOOTBOARD 1 PC
- HARDWARE BOX



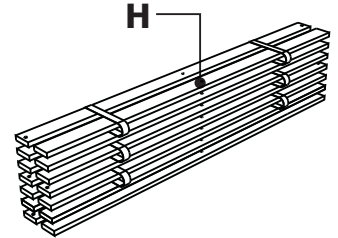
#### BOX #2

- E. SIDERAILS 2 PCS
- F. CENTER SLAT 1 PC
- G. CENTER LEG 4 PCS
- HARDWARE BOX

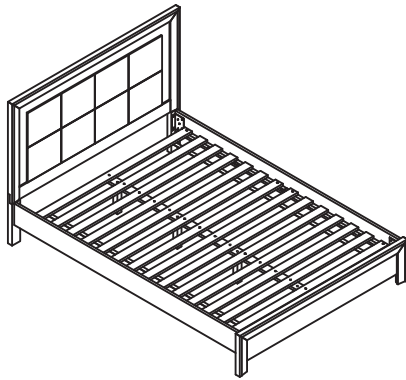


#### BOX #3

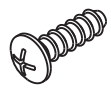

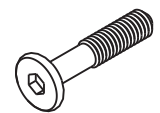
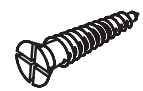
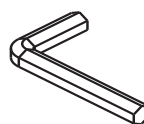
- H. BED SLATS 14 PCS



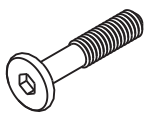

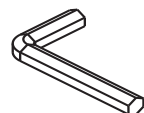
#### ELEMENT PLATFORM BED ASSEMBLED



#### HARDWARE PACKED IN BOX #2

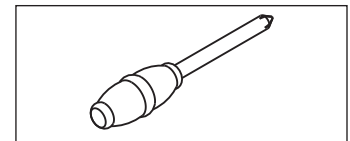
1	PHILLIPS HEAD BOLT 20MM	8 PCS	2	WASHERS 8MM	8 PCS	3	ALLEN BOLT 40MM	10 PCS
								
4	WOOD SCREW Ø8X30MM	8 PCS	5	ALLEN KEY	1 PC	<b>YOUR BOX MAY CONTAIN EXTRA HARDWARE</b>		
								

#### HARDWARE\* PACKED IN BOX #1

1	ALLEN BOLTS 30MM	8 PCS	2	SPRING WASHER	8 PCS	3	ALLEN KEY	1 PC
								

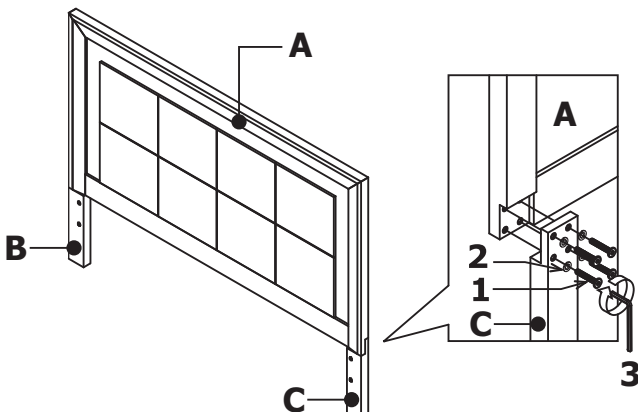
#### TOOL REQUIRED :

PHILLIPS HEAD SCREW DRIVER (NOT PROVIDED)



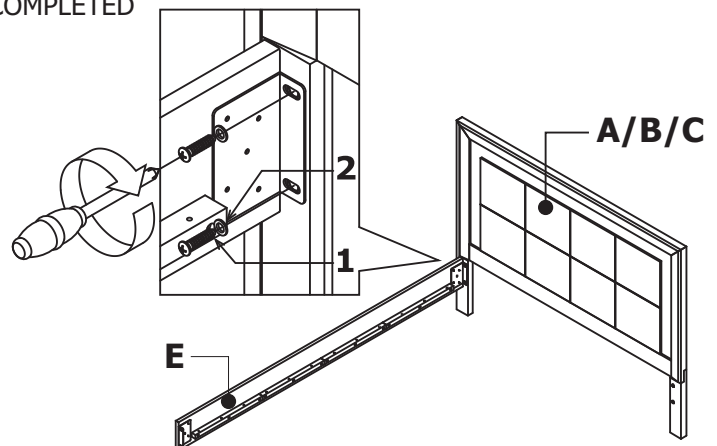
#### STEP 1 :

FOLLOW THE ILLUSTRATION, PUT THE ALLEN BOLT IN THE PREDILLED HOLE ARE TURNING TO UNIFY THE HEADBOARD LEG (B/C) TO THE HEADBOARD PANEL (A)  
\*FOR STEP 1 USE HARDWARE PACKED IN BOX #1



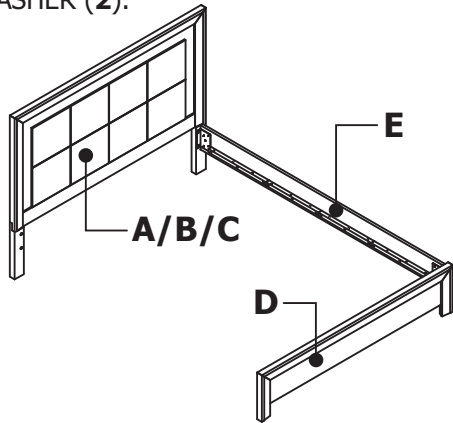
#### STEP 2 :

FIX ONE OF THE SIDERAILS (E) TO THE HEADBOARD ASSY (A/B/C) USING PHILLIPS HEAD BOLTS(1) AND WASHERS(2). DO NOT TIGHTEN BOLTS COMPLETELY UNTIL ASSEMBLY IS COMPLETED



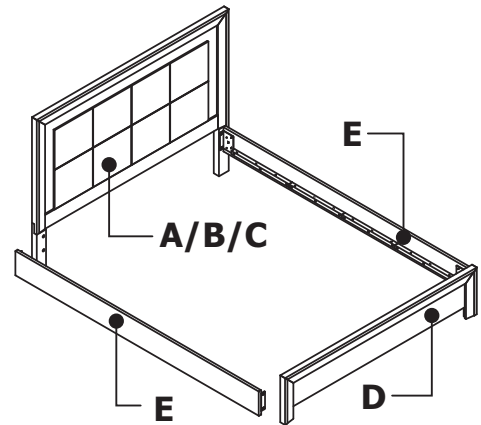
## STEP 2 :

FIX THE OTHER END OF THE SIDERAIL (E) TO THE FOOTBOARD (D) USING PHILLIPS HEAD BOLTS (1) AND WASHER (2).



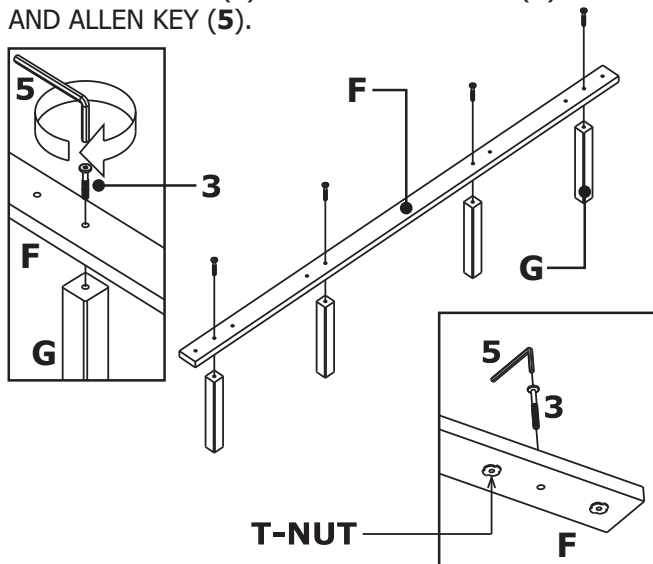
## STEP 3 :

REPEAT THE SAME WAYS FIX THE OTHER SIDERAIL (E) TO THE HEADBOARD ASSY (A/B/C) AND FOOTBOARD (D).



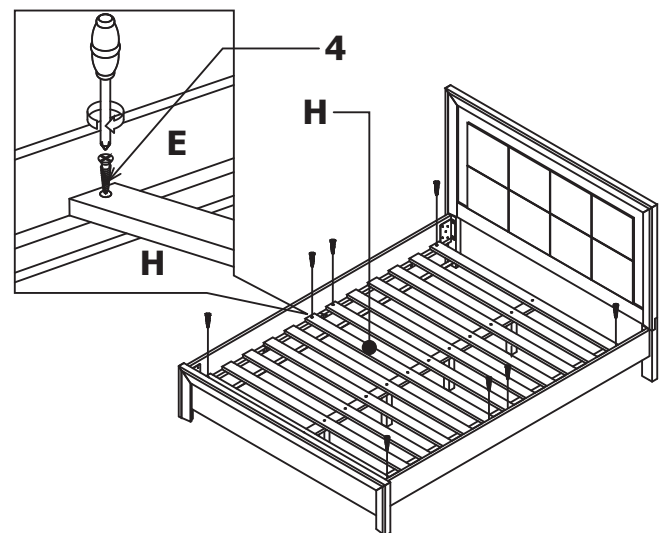
## STEP 4 :

ARRANGE CENTER SLAT (F) SO THAT T-NUTS ARE FACING THE FLOOR. SLIDE ALLEN BOLTS (3) FROM TOP OF CENTER SLAT (F) INTO THE 2ND, 5TH, 6TH, AND 9TH PREDRILLED HOLES. FIX CENTER LEGS (G) TO CENTER SLAT (F) USING ALLEN BOLTS (3) AND ALLEN KEY (5).



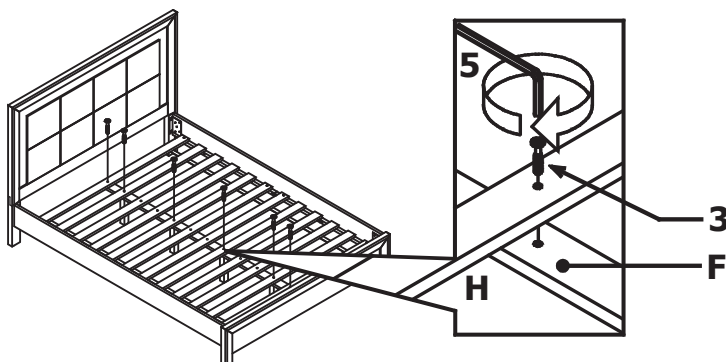
## STEP 5 :

SPREAD BED SLATS (H) ON BED FRAME. FIX 1ST, 7TH, 8TH, AND 14TH BED SLATS TO BED FRAME USING WOOD SCREWS (4). USE PILOT HOLES ON SIDERAILS (E) AS REFERENCE FOR CORRECT PLACEMENT.



## STEP 6 :

SLIDE CENTER SLAT (F) UNDER BED SLATS (H). SLIDE ALLEN BOLTS (3) FROM TOP OF BED SLATS (H) THROUGH PRE-DRILLED HOLES ON 1ST, 2ND, 5TH, 10TH, 13TH AND 14TH BED SLATS. TIGHTEN ALLEN BOLTS (3) WITH ALLEN KEY (5) TO SECURE BED SLATS (H) TO CENTER SLAT (F).

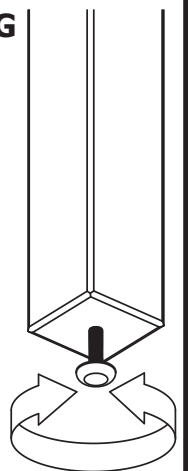


## INSTRUCTIONS FOR ADJUSTING LEVELERS:

POSITION THE BED IN YOUR ROOM  
LOCATE LEVELERS UNDER EACH  
CENTER LEG (G).

TURN COUNTER-CLOCKWISE TO  
EXTEND, CLOCKWISE TO CONTRACT.

ADJUST LEVELERS UNTIL EACH LEG  
IS APPLYING EQUAL UPWARD  
PRESSURE ON THE CENTER SLAT.



## MAINTENANCE INSTRUCTIONS:

- REMOVE BOX SPRING AND MATTRESS BEFORE MOVING YOUR BED.
- LIFT YOUR BED WHEN MOVING IT. DRAGGING CAN DAMAGE CENTER SUPPORT.
- READJUST LEVELERS AFTER MOVING YOUR BED.