



# 2VTL4RF

# 2VTL2RF

**VTLR Relight kit for installation in drywall ceiling applications**

**ORDERING INFORMATION**

Lead times will vary depending on options selected. Consult with your sales representative.

Example: 2VTL4R 40L ADP EZ1 LP835

Series	Lumens <sup>1</sup>	ADP	Diffuser	Voltage	Driver	Color temperature	Controls
2VTL4R	2x4 LED relight assembly, black end brackets for use in parabolic fixture	30L 3000 40L 4000	ADP Acrylic linear prismatic	(blank) MVOLT (120 - 277V) 347 347V <sup>2</sup>	GZ Dimming driver (0-10v) GZ1 Dims to 1% EZ1 eldoLED, dims to 1% EZB Dims to dark GTH250 Bi-level (2-switch) EXA1 Dims to 1%, XPoint wireless enabled EXAB Dims to dark, XPoint wireless enabled	LP835 82 CRI, 3500 K LP840 82 CRI, 4000 K LP830 82 CRI, 3000 K LP850 82 CRI, 5000 K	(blank) No controls N80 N-light with 80% lumen management N100 N-light with no lumen management
2VTL4RT	2x4 LED relight assembly, white end brackets for use in troffer fixture	48L 4800 60L 6000					
2VTL4RF	2x4 LED relight assembly, flange brackets for drywall installation						

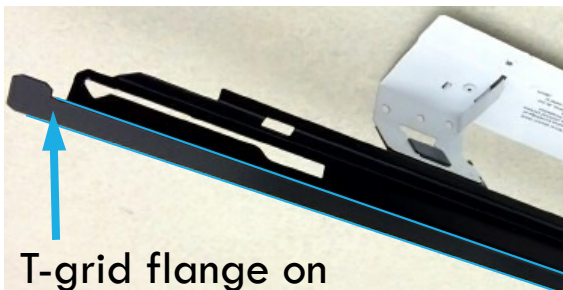
**What is it?**

A version of the 2VTLR Relight kit that allows installation of the kit into existing flanged fixtures installed in drywall ceilings or in other “non standard grid” (e.g., screw slot, concealed spline, etc) recessed applications.

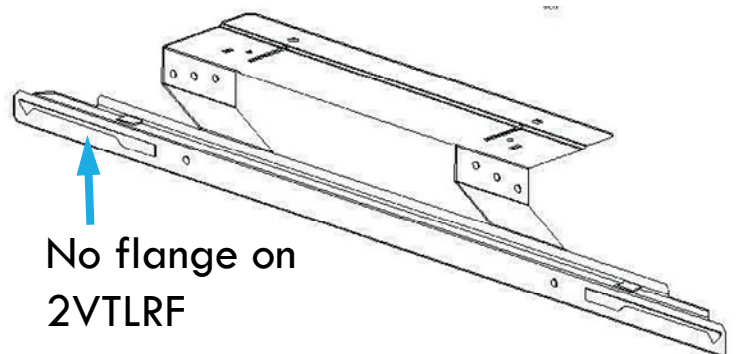
**What's different?**

The standard 2VTLR/2VTLRT end bracket consists of two pieces and has a large flange at the bottom that slides under the fixture and rests on the T-grid.

The 2VTLRF end bracket is one piece and has no flange extending below the fixture aperture.



T-grid flange on 2VTLR /2VTLRT (2VTLRT would be white)



No flange on 2VTLRF

**What again are the differences in the three brackets?**

2VTLR = Two-piece snap together; black lower bracket with grid flange for installation in parabolics mounted in T-grid

2VTLRT = Two-piece snap together; white lower bracket with grid flange for installation in lensed troffers mounted in T-grid

2VTLRF = One-piece white bracket with no flange for installation in flanged fixtures mounted in drywall or concealed grid applications