

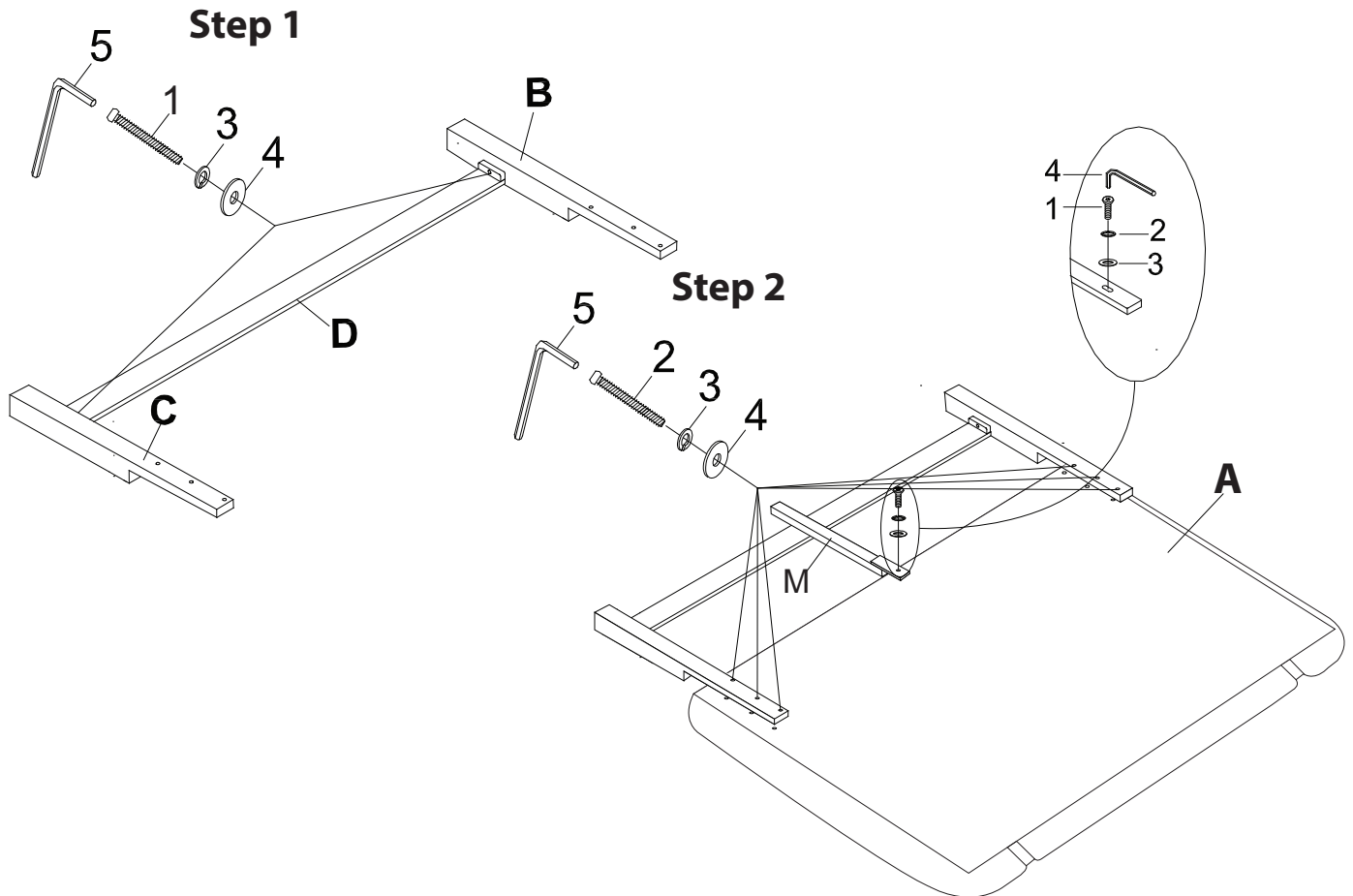


ASSEMBLY INSTRUCTIONS

6/6 Uph Panel
269126-2556

Thank you for purchasing this quality product from A.R.T. Furniture. Be sure to check all packing material for parts which may have come loose inside the carton during shipment. Identify and count all parts and compare with the parts list below.

Note: Some furniture is heavy, it is recommended that two people assembly this item to avoid injury or damage.



No.	Hardware List	Qt.
1	5/16" X 1 3/4" Bolt	4
2	5/16" X 2 1/2" Bolt	6
3	5/16" Lock Washer	20
4	5/16" Flat Washer	10
5	5mm Allen	1
6	#8 x 28mm Screws	30
7	5/16" X 3 3/8" Threaded bolt	8
8	5/16" Half moon washer	10
9	5/16" Nut	8
10	5/16" X 1 1/2" Bolt	2
11	5/16" Wrench	1
12	#8 x 25mm Screws	2

No.	PARTS LIST	Qt.
A	Headboard	1
B	Right Leg	1
C	Left Leg	1
D	Stretcher	1
E	Footboard	1
F	Slats	15
H	Side Rails	2
N	Stretcher	1
M	Support	1
Q	Support leg	1



A.R.T. FURNITURE® ASSEMBLY INSTRUCTIONS

6/6 Uph Panel
269126 - 2556

