

Installation Guide

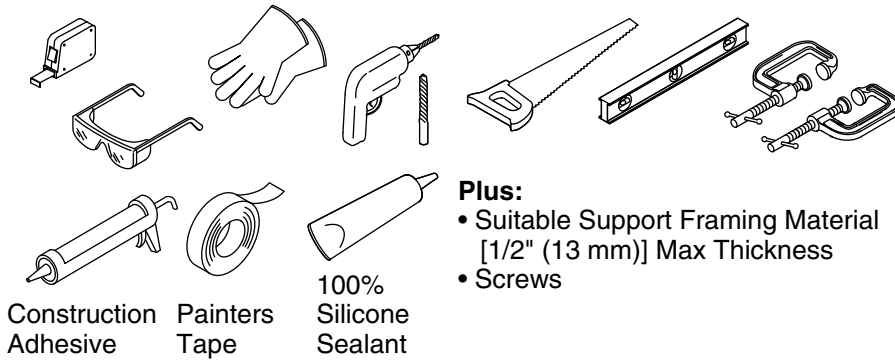
Apron-Front Kitchen Sinks

Français, page "Français-1"
Español, página "Español-1"

THE BOLD LOOK
OF **KOHLER**®

1389368-2-A

Tools and Materials



Important Information



WARNING: Risk of personal injury. Metal surfaces are sharp and can cause severe cuts. Use gloves and handle sink edges carefully.



CAUTION: Risk of personal injury. Cast iron sinks are heavy. Get help when lifting or moving.

IMPORTANT! Refer to the “Roughing-In and Preparation” section for cabinet dimensional requirements.

IMPORTANT! The cabinet must be installed and secured, and must be plumb and level.

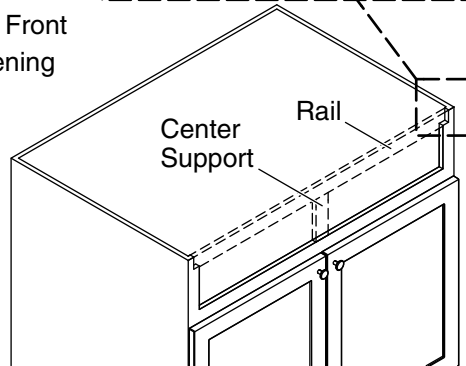
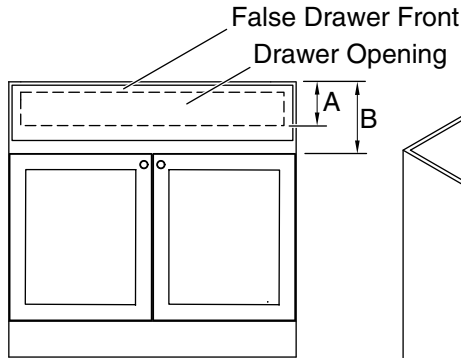
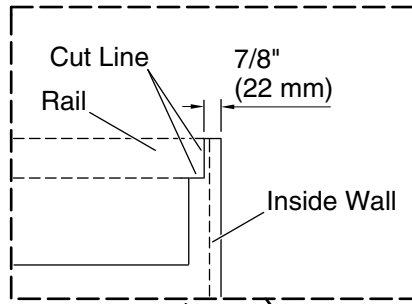
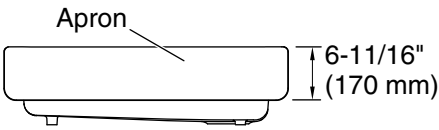
IMPORTANT! Long screws may damage adjacent cabinets. Ensure that the screws are long enough to secure the support framing, but short enough so they do not extend through the walls of adjacent cabinets.

- Due to the nature of under-mount installations, Kohler Co. recommends that only trained and experienced installers perform under-mount sink installations.
- Prior to installation, unpack the new sink and inspect it for damage. Return the sink to its protective carton until you are ready to install it.
- Use proper fasteners and techniques to ensure that the frame will support a minimum of 300 lbs (136 kg). Locate the fasteners for easy access in the event the sink needs to be removed in the future.
- **For K-5664 Only:** This sink is intended for installation into a standard 24" base cabinet.

Important Information (cont.)

- **For K-5826 Only:** This sink is intended for installation into a standard 33" base cabinet.
- **For K-6426 and K-6488:** This sink is intended for installation into a standard 36" base cabinet.
- **For K-6486 Only:** This sink is intended for installation into a standard 30" base cabinet.
- Follow all local plumbing and building codes.

A = Top of Cabinet to Bottom of
Drawer Opening
B = Top of Cabinet to Top of Doors



1. Roughing-In and Preparation

IMPORTANT! Before installing this sink, verify that the opening height (A) is less than the apron height, and the distance to the top of the doors (B) is greater than the apron height.

NOTE: For cabinets with flat fronts (no false drawer openings), proceed to the "Prepare the Cabinet - Flat Front" section.

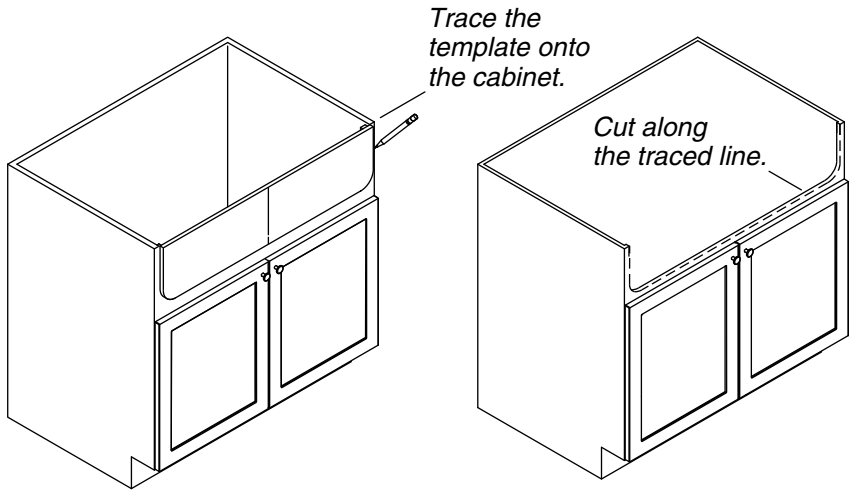
- Remove the false drawer front from your cabinet. Use care not to damage the cabinet.

TIP: Apply painter's tape to the cabinet to mark cuts and to protect cabinet surfaces when cutting.

- Measure and mark 7/8" (22 mm) in from the outside edge of the cabinet. Repeat for the other side.
- Cut along each marked line until the cut extends slightly beyond the top of the drawer opening/top rail of the cabinet.
- Following the bottom edge of the rail, extend your cut until it intersects with the previous cut. Repeat for the other side.

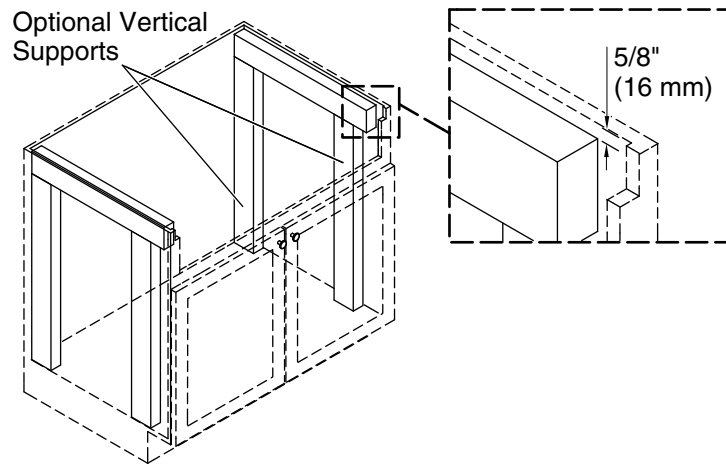
Roughing-In and Preparation (cont.)

- If your cabinet has a center support, cut along the bottom of the support, even with the drawer opening.
- Remove and discard the rail.
- Continue to the "Install the Support Framing" section.



2. Prepare the Cabinet - Flat Front

- **TIP:** Apply painter's tape to the cabinet to mark cuts and protect the cabinet surfaces when cutting.
- Position the template on the front of the cabinet flush with the top and centered left to right; secure with tape.
- Trace the template and remove.
- Cut the cabinet along the traced line.



3. Install the Support Framing

IMPORTANT! Horizontal and vertical support framing is required to support the weight of the sink.

NOTICE: For proper countertop installation, the top of the sink must not extend above the top of the cabinet.

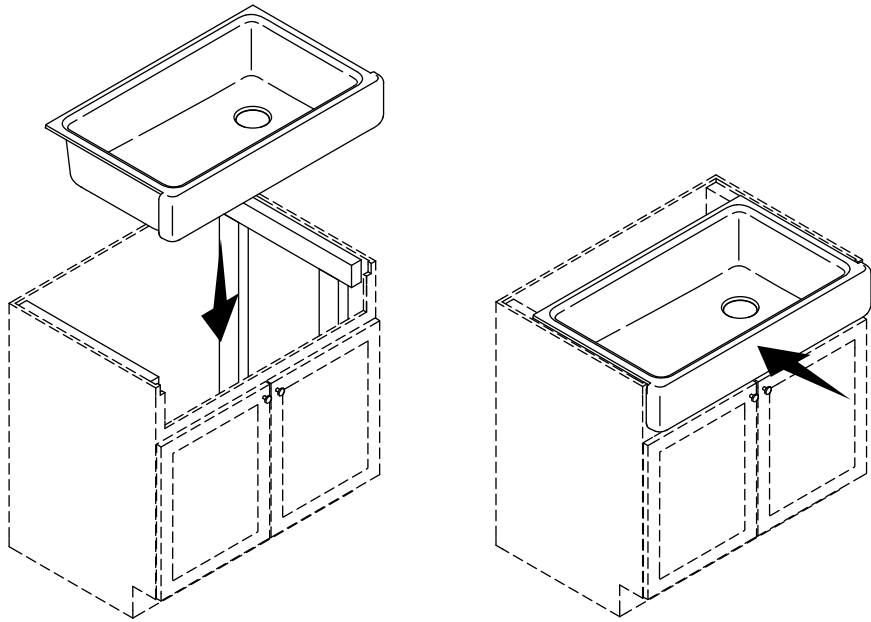
- Cut two lengths of support framing to extend horizontally along the inside walls on each side of the cabinet.
- Measure and mark the support mounting locations; ensure that the sink rim will sit at or slightly below the top of the cabinet.
- Position and level the supports.

TIP: Use clamps to hold the supports in position.

- Secure the supports with construction adhesive and screws (not provided).

Optional Vertical Supports

- Cut four lengths of support framing to extend from the bottom of the horizontal supports to the floor of the cabinet.
- Secure the vertical supports with construction adhesive and screws (not provided).

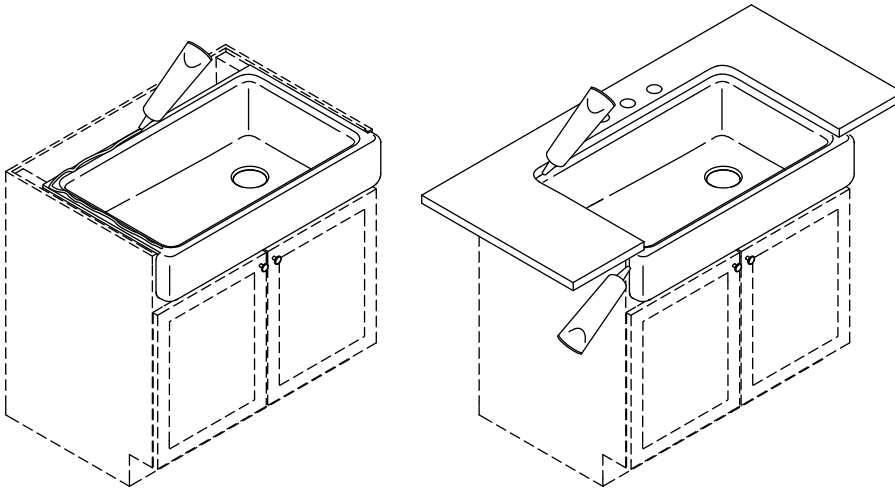


4. Install the Sink



WARNING: Risk of personal injury. Metal surfaces are sharp and can cause severe cuts. Use gloves and handle sink edges carefully.

- Lower the sink onto the supports; verify that the sink is supported by the frame.
- Push the sink in to ensure that the apron is flush to the front of the cabinet.
- Verify that the sink is level; make any adjustments and shim as needed.



5. Install the Countertop

- Apply a bead of 100% silicone sealant around the side and back of the sink.
- Install the countertop.
- Apply a thin bead of 100% silicone sealant where the sink meets the countertop and cabinet.
- Immediately wipe away any excess sealant.

6. Complete the Installation

- Install the faucet and the strainers according to the installation instructions.
- Connect the trapway to the strainers.

Care and Cleaning

For best results, keep the following in mind when caring for your KOHLER product:

Care and Cleaning (cont.)

- Always test your cleaning solution on an inconspicuous area before applying to the entire surface. Cleaners containing chloride are not recommended.
- Wipe surfaces clean and rinse completely with water immediately after applying cleaner. Rinse and dry any overspray that lands on nearby surfaces.
- Do not allow cleaners to soak on surfaces.
- Use a soft, dampened sponge or cloth. Never use an abrasive material such as a brush or scouring pad to clean surfaces.
- Be careful not to leave staining materials in contact with the surface for extended periods of time.
- The ideal cleaning technique is to rinse thoroughly and blot dry any water from the surface after each use.

For detailed cleaning information and products to consider, visit www.kohler.com/clean. To order Care & Cleaning information, call 1-800-456-4537.