





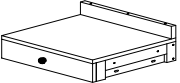
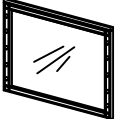
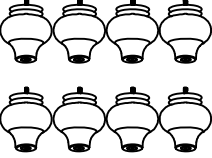

New
Classic®
FURNITURE




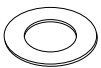



ASSEMBLY INSTRUCTION

BA9698-090 VALENTINO DRESSING TABLE

BA9698-091 VALENTINO DRESSING TABLE MIRROR
(BULBS NOT INCLUDED)

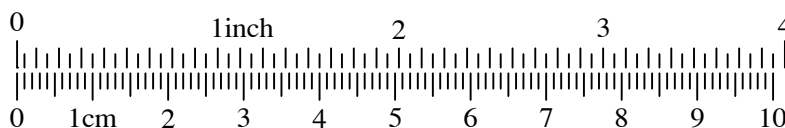
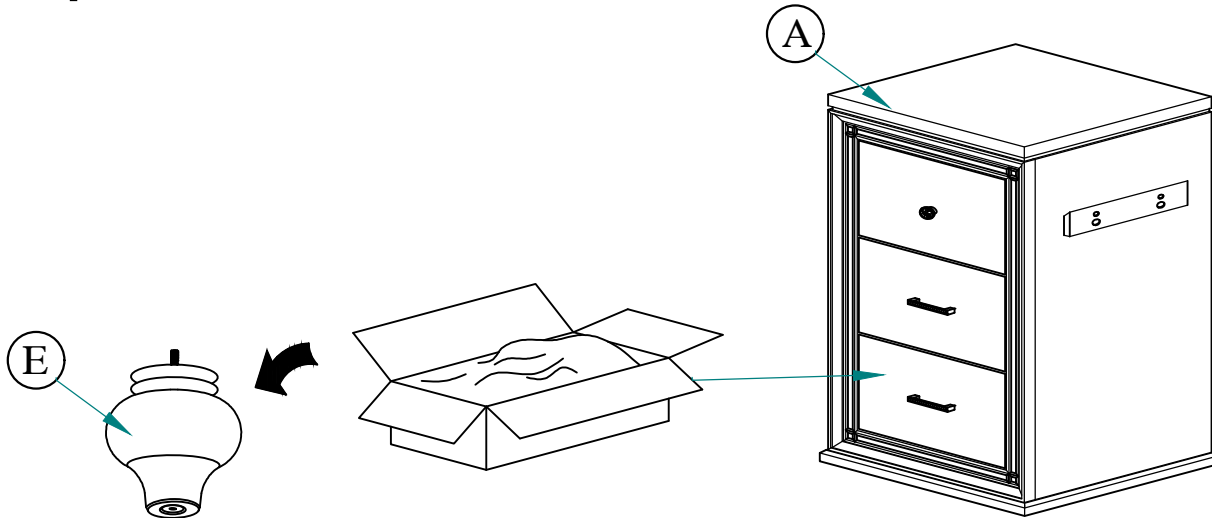
Thank you for purchasing this quality product. Be sure to check all packing materials carefully for small parts which may have come loose inside the carton during shipment. Identify and count all items and compare with the parts list and hardware list shown below.

PARTS LIST			
NO	DESCRIPTION	SKETCH	QTY
A	Left Side Facing (LSF) Cabinet		1pc
B	Right Side Facing (RSF) Cabinet		1pc
C	Center Drawer Unit		1pc
D	Dressing Table Mirror		1pc
E	Bun Foot		8pcs
F	Mirror Support		2pcs

HARDWARE LIST			
NO	DESCRIPTION	SKETCH	QTY
1	Allen Key - M4		1pc
2	Bolt - M6 x 1-3/8" (for mirror use)		8pcs
3	Spring Washer - M6		12pcs
4	Flat Washer - 1/4"		8pcs
5	Bolt - M6 x 1-5/8"		4pcs
6	Flat Washer - M6		4pcs
7	Anti-Tipping Kit		1set

PLACE WOOD PARTS ON A CLEAN NON-ABRASIVE SURFACE

Step 1: Located the Bun Foot (E) inside boxes at the bottom drawer of the LSF Cabinet (A).





ASSEMBLY INSTRUCTION

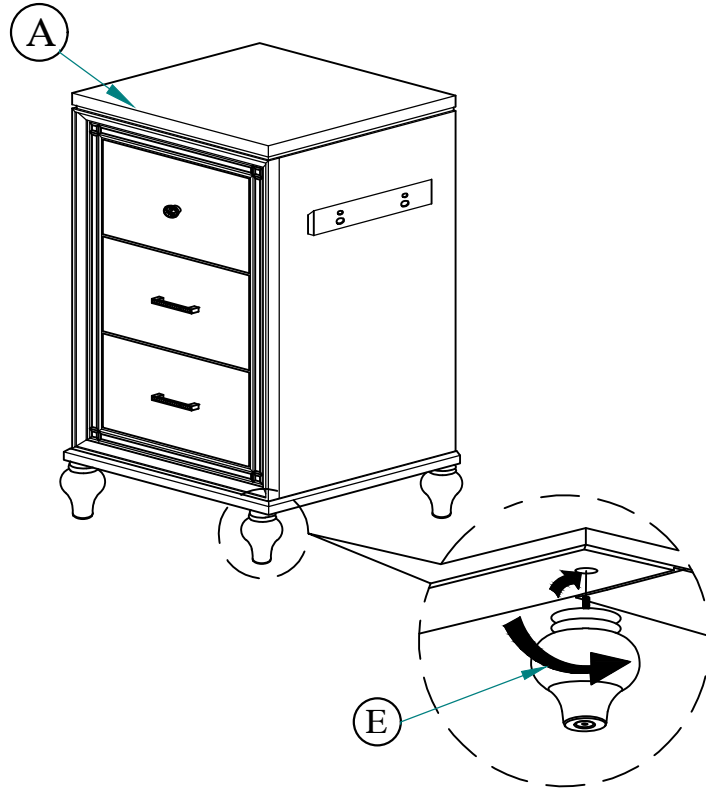
BA9698-090 VALENTINO DRESSING TABLE

BA9698-091 VALENTINO DRESSING TABLE MIRROR
(BULBS NOT INCLUDED)

PLACE WOOD PARTS ON A
CLEAN NON-ABRASIVE SURFACE

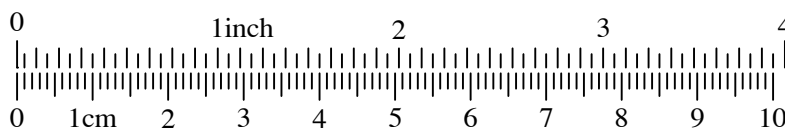
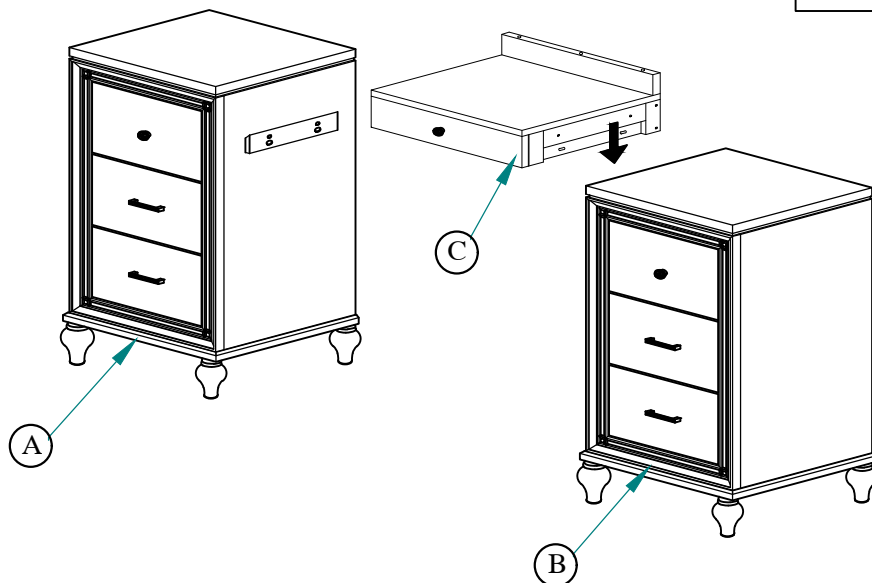
Step 2: Assemble the Bun Foot (E) to the LSF Cabinet (A).

** Repeat Step 1 and 2 for RSF Cabinet (B). **



Step 3: Hook the Center Drawer Unit (C) between the LSF Cabinet (A) and RSF Cabinet (B) and push down until securely in place.

PLACE WOOD PARTS ON A
CLEAN NON-ABRASIVE SURFACE





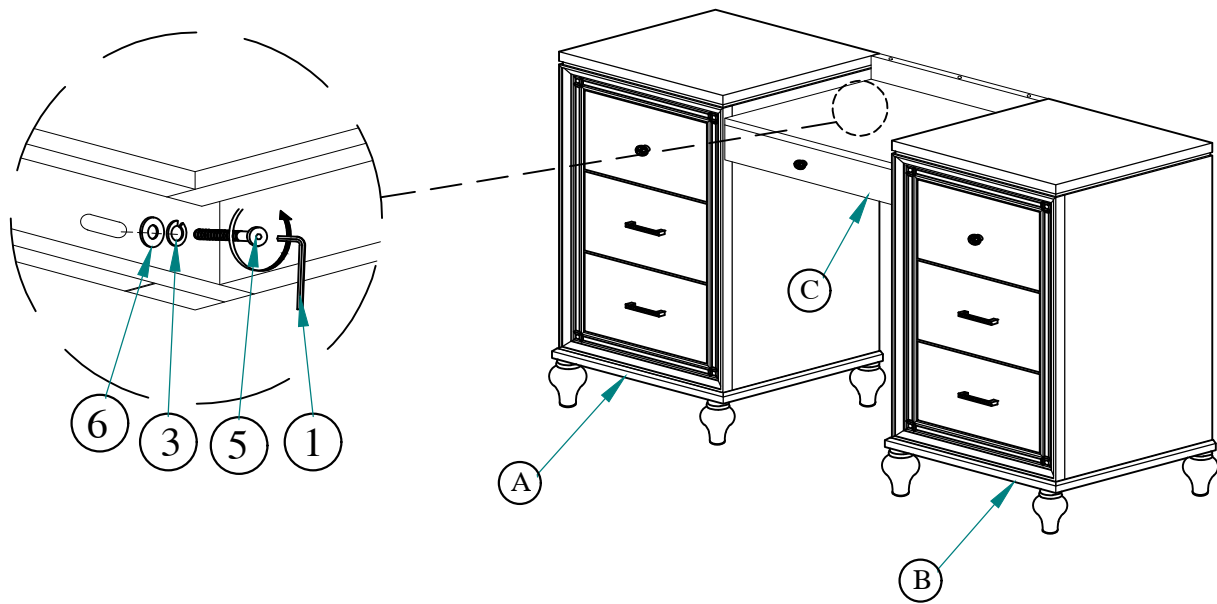
ASSEMBLY INSTRUCTION

BA9698-090 VALENTINO DRESSING TABLE

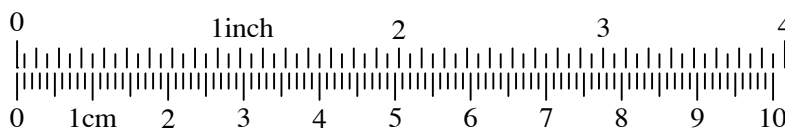
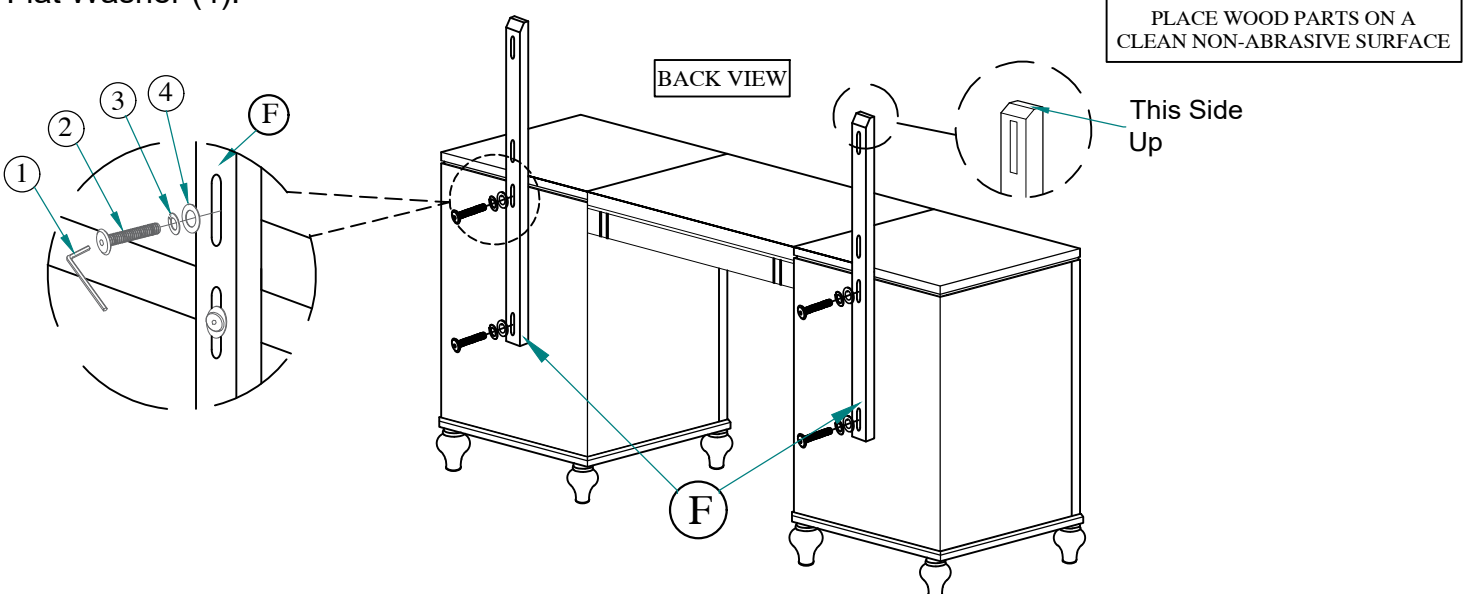
BA9698-091 VALENTINO DRESSING TABLE MIRROR
(BULBS NOT INCLUDED)

PLACE WOOD PARTS ON A
CLEAN NON-ABRASIVE SURFACE

Step 4: Assemble from underneath the Center Drawer Unit (C) to the LSF Cabinet (A) and RSF Cabinet (B) by using the Allen Key (1) with Spring Washer (3), Bolt (5), and Flat Washer (6).



Step 5: Assemble the Mirror Support (F) with the slant cut side up to the LSF Cabinet (A) and RSF Cabinet (B) by using Allen Key (1) and the hardware Bolt (2), Spring Washer (3), and Flat Washer (4).





ASSEMBLY INSTRUCTION

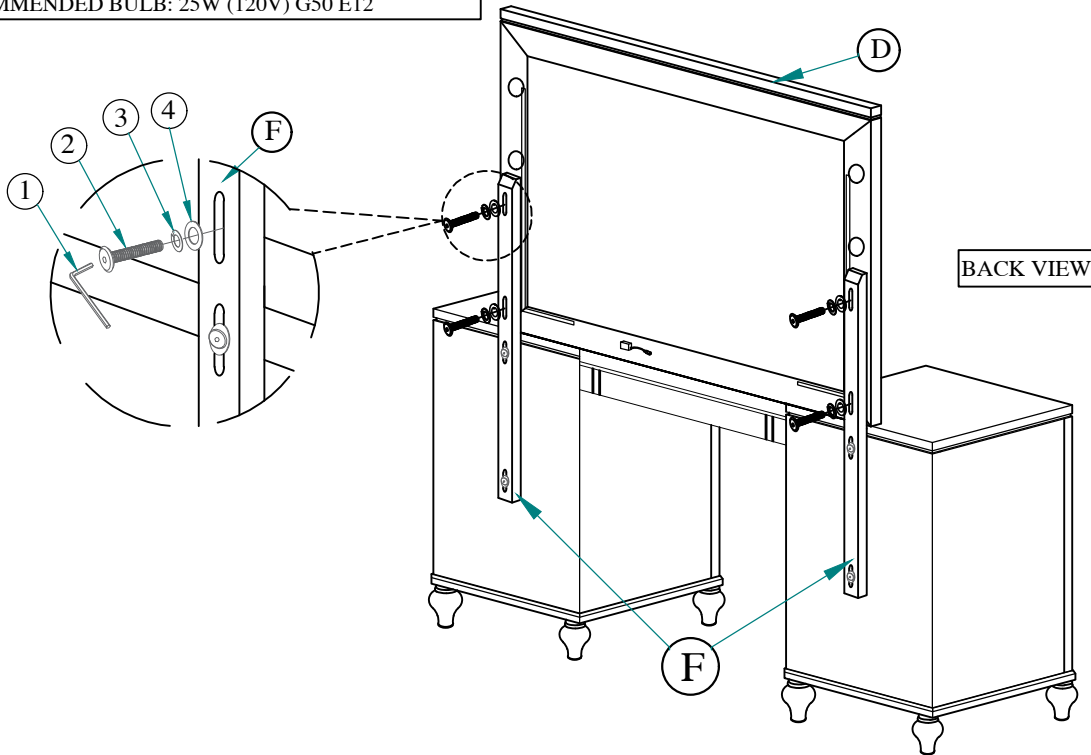
BA9698-090 VALENTINO DRESSING TABLE

BA9698-091 VALENTINO DRESSING TABLE MIRROR
(BULBS NOT INCLUDED)

PLACE WOOD PARTS ON A
CLEAN NON-ABRASIVE SURFACE

Step 6: Assemble the Dressing Table Mirror (D) to the Mirror Support (F) by using Allen key (1) and the hardware Bolt (2), Spring Washer (3), and Flat Washer (4).

* CAUTION: DO NOT USE LIGHT BULBS OVER 25 WATT
RECOMMENDED BULB: 25W (120V) G50 E12



Step 7: Install the Anti-Tipping Kit. Anti-Tipping Kit must always be used to prevent the furniture from tipping.

